



US00D970746S

(12) **United States Design Patent**
Matsuzawa

(10) **Patent No.:** **US D970,746 S**

(45) **Date of Patent:** **** Nov. 22, 2022**

(54) **STAGE FOR CELL CRYOPRESERVATION OPERATION**

(71) Applicant: **MITSUBISHI PAPER MILLS LIMITED**, Tokyo (JP)

(72) Inventor: **Atsushi Matsuzawa**, Tokyo (JP)

(73) Assignee: **MITSUBISHI PAPER MILLS LIMITED**, Tokyo (JP)

(**) Term: **15 Years**

(21) Appl. No.: **29/764,097**

(22) Filed: **Dec. 28, 2020**

(30) **Foreign Application Priority Data**

Jun. 25, 2020 (JP) 2020-012790 D
Nov. 17, 2020 (JP) 2020-024755 D
Nov. 17, 2020 (JP) 2020-024756 D

(51) **LOC (13) Cl.** **24-01**

(52) **U.S. Cl.**
USPC **D24/216**

(58) **Field of Classification Search**
USPC D24/107, 121, 129, 130, 186, 216, 217,
D24/223–227, 231, 232, 169; D10/81
(Continued)

(56) **References Cited**

U.S. PATENT DOCUMENTS

D768,868 S * 10/2016 Inoue D24/216
D889,684 S * 7/2020 Johnson D24/225
(Continued)

FOREIGN PATENT DOCUMENTS

JP 6636202 B1 1/2020

Primary Examiner — Anhdao Doan

(74) *Attorney, Agent, or Firm* — Osha Bergman Watanabe & Burton LLP

(57) **CLAIM**

The ornamental design for a stage for cell cryopreservation operation, as shown and described.

DESCRIPTION

FIG. 1 is a front view of a stage for cell cryopreservation operation showing a first embodiment thereof;
FIG. 2 is a first side view of the stage for cell cryopreservation operation of FIG. 1;
FIG. 3 is a second side view of the stage for cell cryopreservation operation of FIG. 1;
FIG. 4 is a rear view of the stage for cell cryopreservation operation of FIG. 1;
FIG. 5 is a top plan view of the stage for cell cryopreservation operation of FIG. 1;
FIG. 6 is a bottom plan view of the stage for cell cryopreservation operation of FIG. 1;
FIG. 7 is a perspective view of the stage for cell cryopreservation operation of FIG. 1;
FIG. 8 is a perspective view of the stage for cell cryopreservation operation of FIG. 1;
FIG. 9 is a perspective view of the stage for cell cryopreservation operation of FIG. 1;
FIG. 10 is a front view of the stage for cell cryopreservation operation showing a second embodiment thereof;
FIG. 11 is a first side view of the stage for cell cryopreservation operation of FIG. 10;
FIG. 12 is a second side view of the stage for cell cryopreservation operation of FIG. 10;
FIG. 13 is a rear view of the stage for cell cryopreservation operation of FIG. 10;
FIG. 14 is a top plan view of the stage for cell cryopreservation operation of FIG. 10;
FIG. 15 is a bottom plan view of the stage for cell cryopreservation operation of FIG. 10;
FIG. 16 is a perspective view of the stage for cell cryopreservation operation of FIG. 10;
FIG. 17 is a perspective view of the stage for cell cryopreservation operation of FIG. 10;
FIG. 18 is a perspective view of the stage for cell cryopreservation operation of FIG. 10;
FIG. 19 is a front view of the stage for cell cryopreservation operation showing a third embodiment thereof;

(Continued)

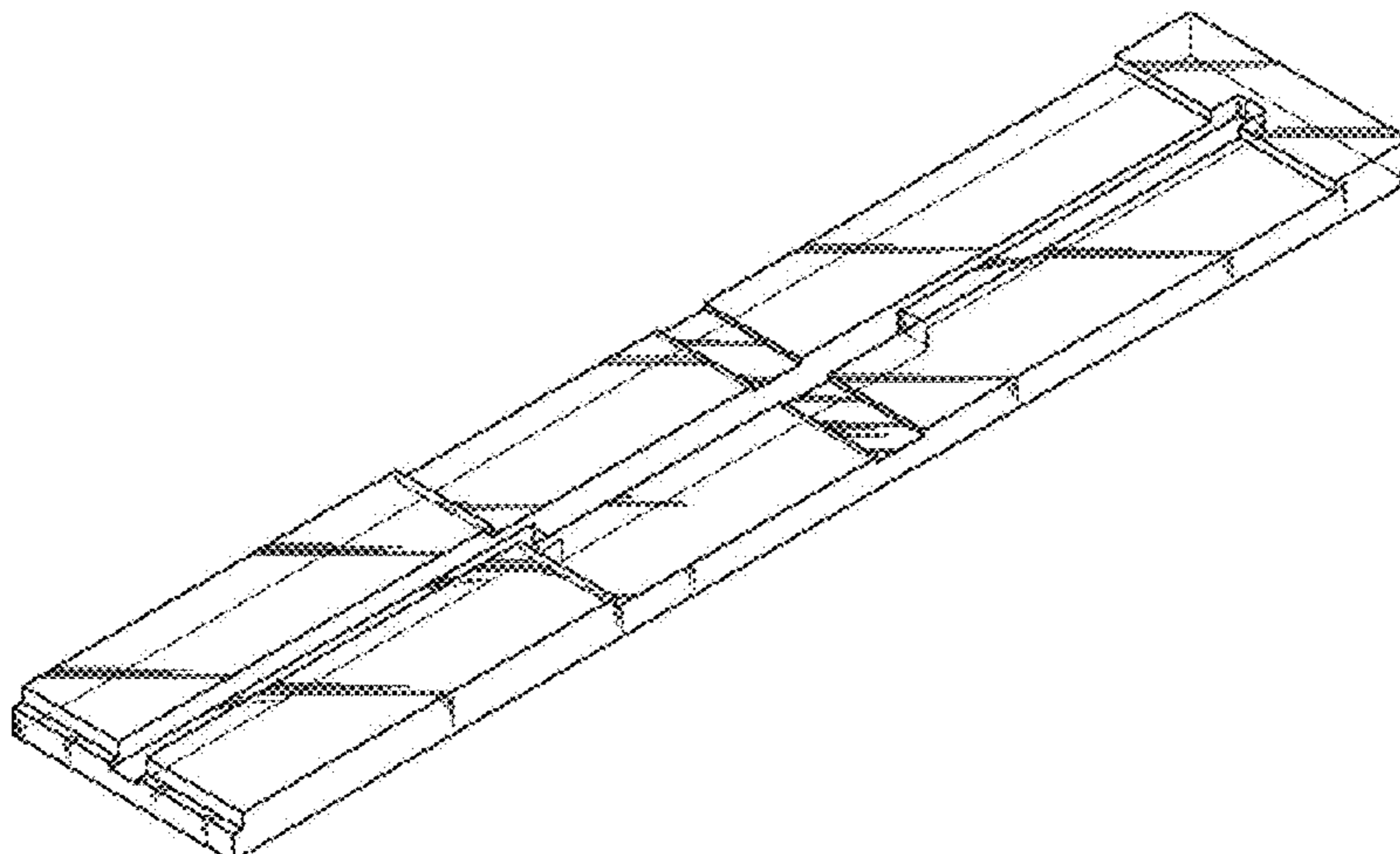


FIG. 20 is a first side view of the stage for cell cryopreservation operation of FIG. 19;
 FIG. 21 is a second side view of the stage for cell cryopreservation operation of FIG. 19;
 FIG. 22 is a rear view of the stage for cell cryopreservation operation of FIG. 19;
 FIG. 23 is a top plan view of the stage for cell cryopreservation operation of FIG. 19;
 FIG. 24 is a bottom plan view of the stage for cell cryopreservation operation of FIG. 19;
 FIG. 25 is a perspective view of the stage for cell cryopreservation operation of FIG. 19;
 FIG. 26 is a perspective view of the stage for cell cryopreservation operation of FIG. 19; and,
 FIG. 27 is a perspective view of the stage for cell cryopreservation operation of FIG. 19.
 The broken lines illustrate environmental structures and form no part of the claimed design.

1 Claim, 9 Drawing Sheets

(58) **Field of Classification Search**

CPC .. A01N 1/0242; A01N 1/0268; A01N 1/0273;
 A01N 1/0263; A61D 19/02; C12M 45/02
 See application file for complete search history.

(56) **References Cited**

U.S. PATENT DOCUMENTS

D895,141	S *	9/2020	Heron	D24/225
D901,715	S *	11/2020	Ohmura	D24/224
D917,715	S *	4/2021	Nemeth	D24/216
D921,219	S *	6/2021	Johnson	D24/224
2011/0015545	A1 *	1/2011	Mondro	G01N 27/3271 600/583
2018/0071741	A1 *	3/2018	Kelly	G01N 35/00029
2020/0113176	A1 *	4/2020	Yoshida	A01N 1/0242
2020/0292231	A1 *	9/2020	Johnson	F26B 21/14
2021/0298291	A1 *	9/2021	Matsuzawa	A01N 1/0268
2022/0048024	A1 *	2/2022	Aziz	B01L 9/52

* cited by examiner

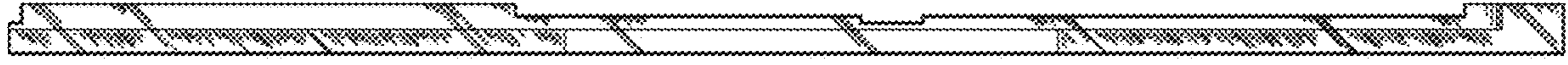


FIG. 1



FIG. 2



FIG. 3

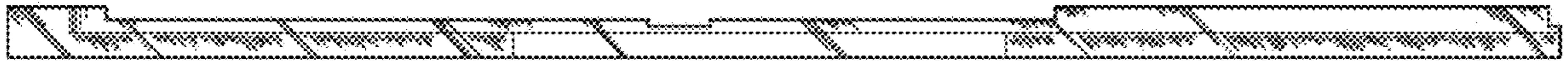


FIG. 4

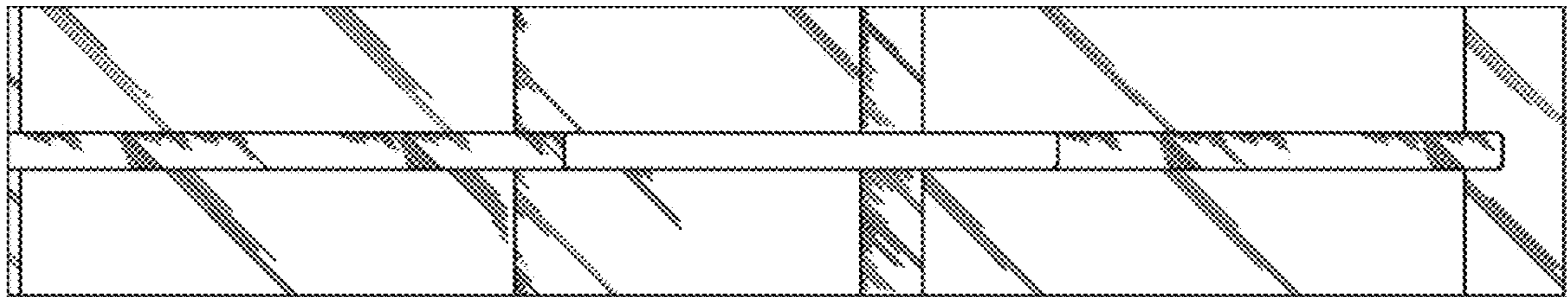


FIG. 5

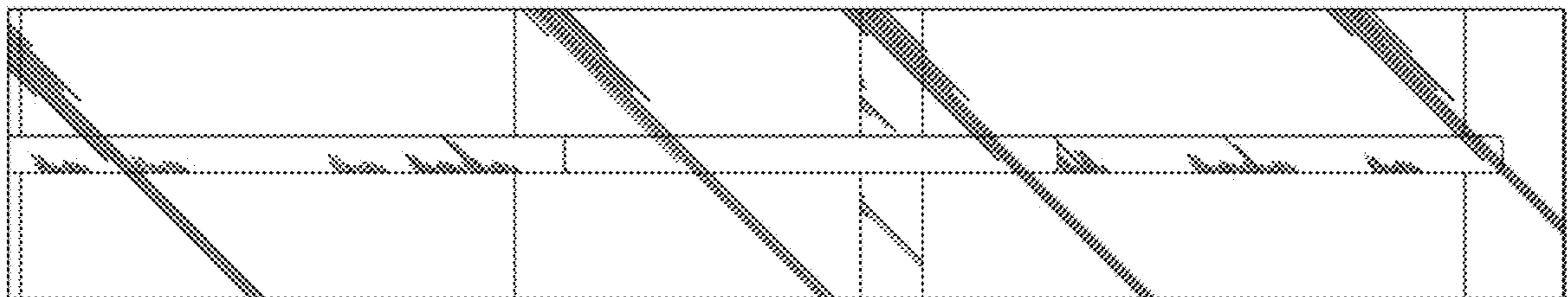


FIG. 6

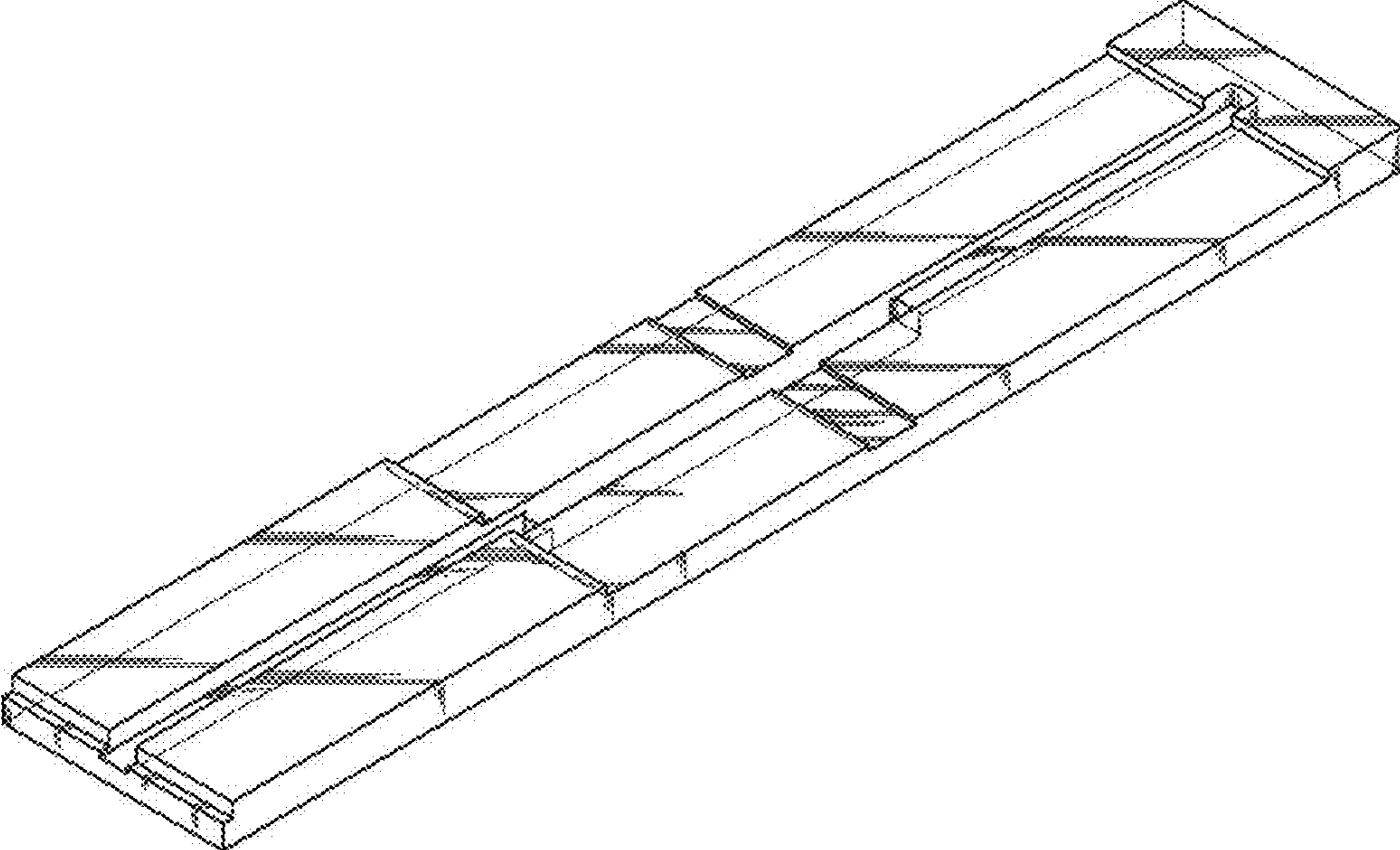


FIG. 7

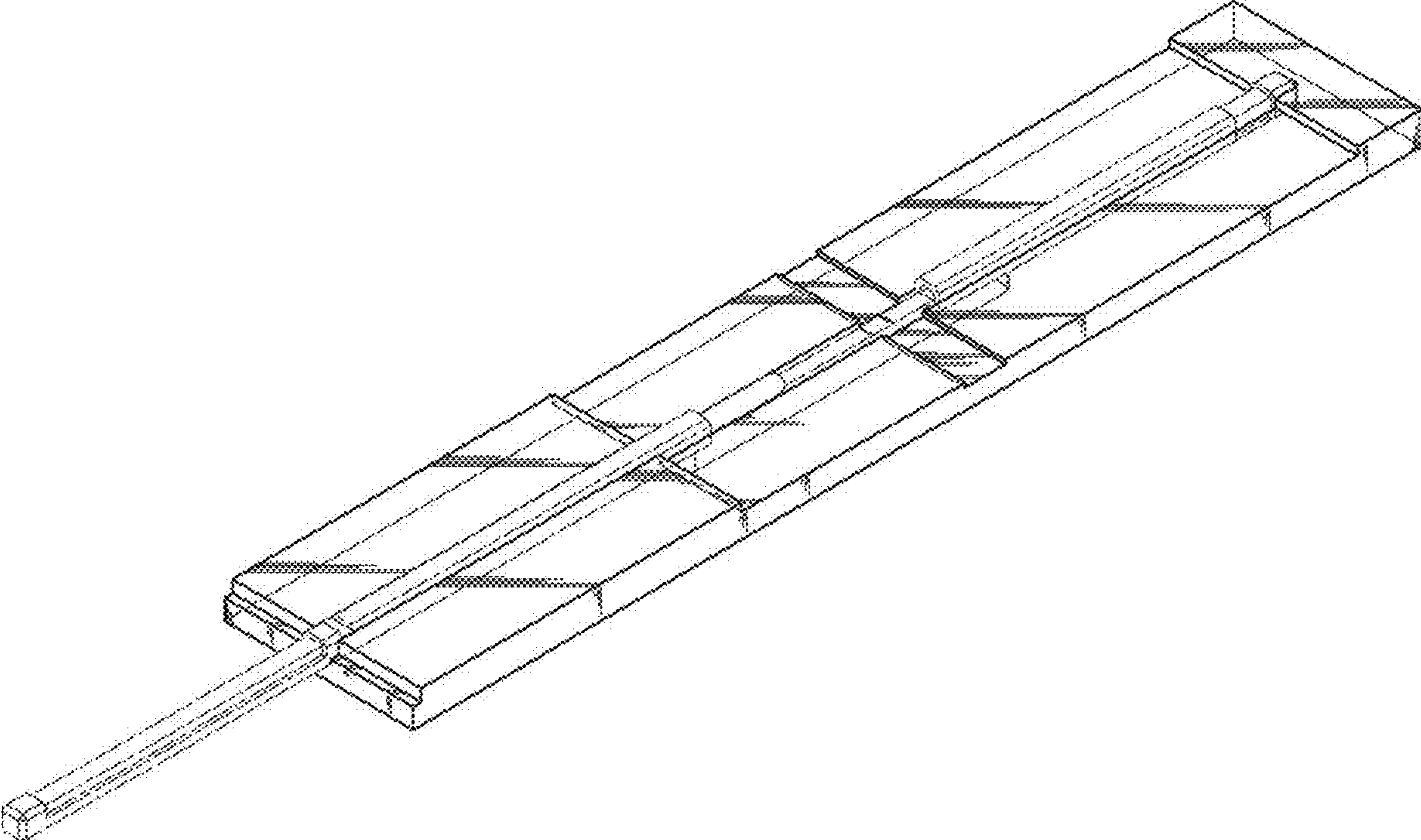


FIG. 8

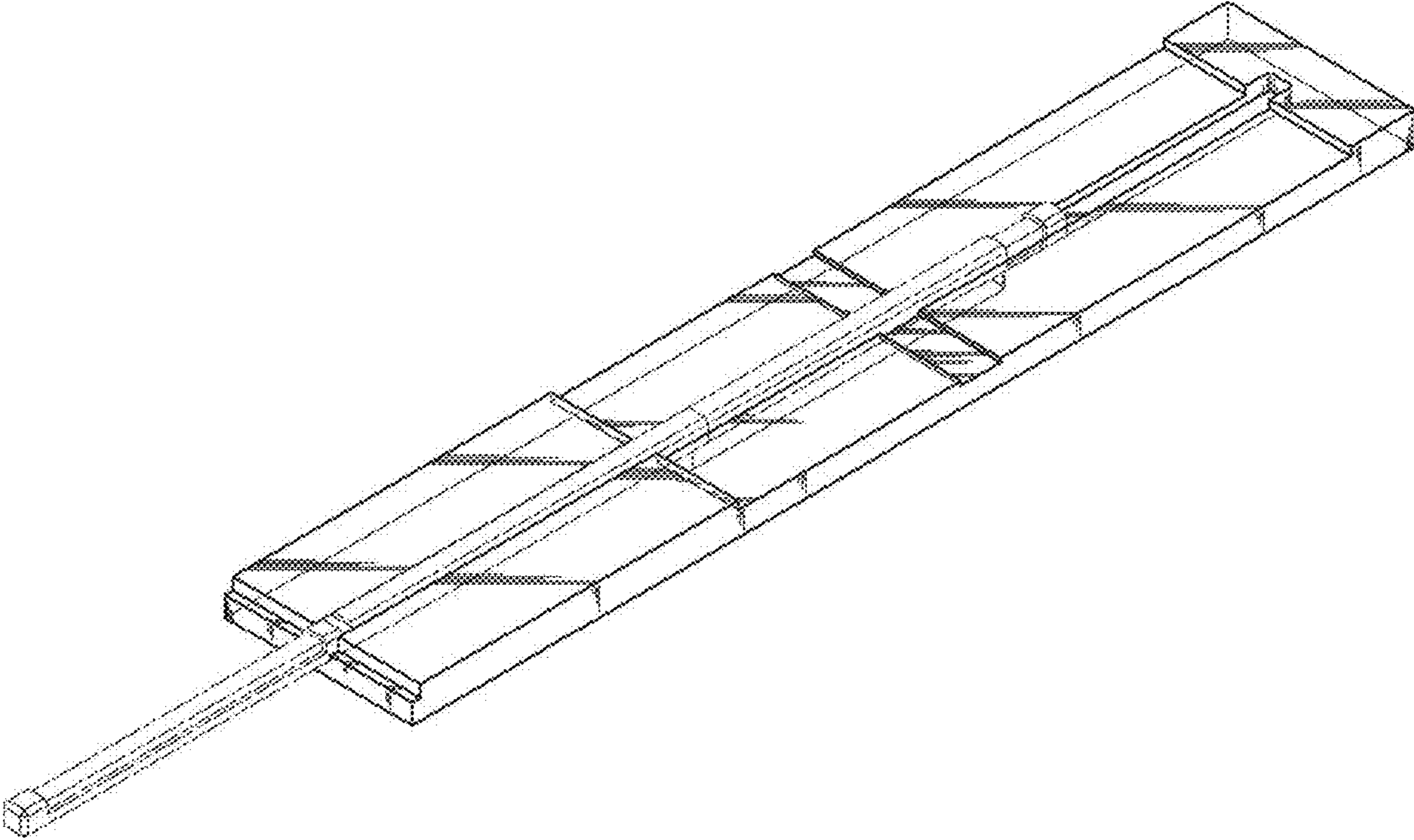


FIG. 9

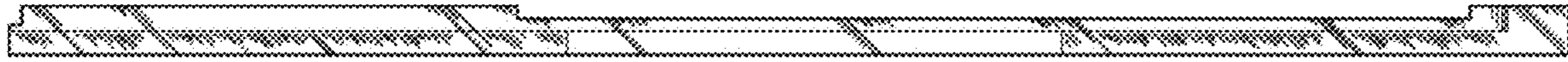


FIG. 10



FIG. 11



FIG. 12

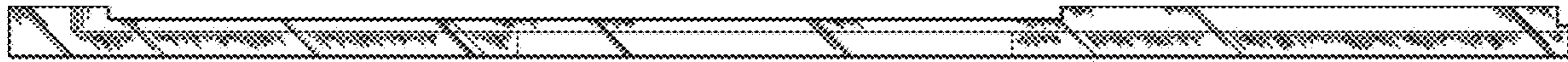


FIG. 13

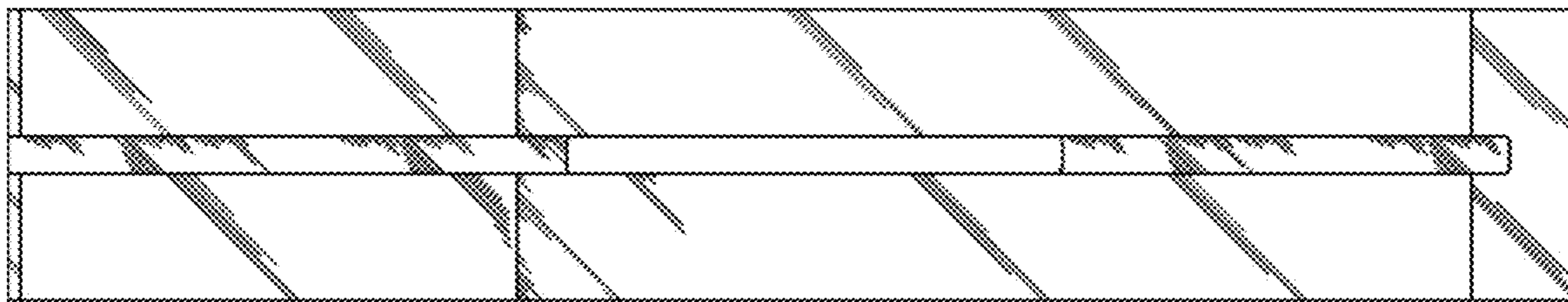


FIG. 14

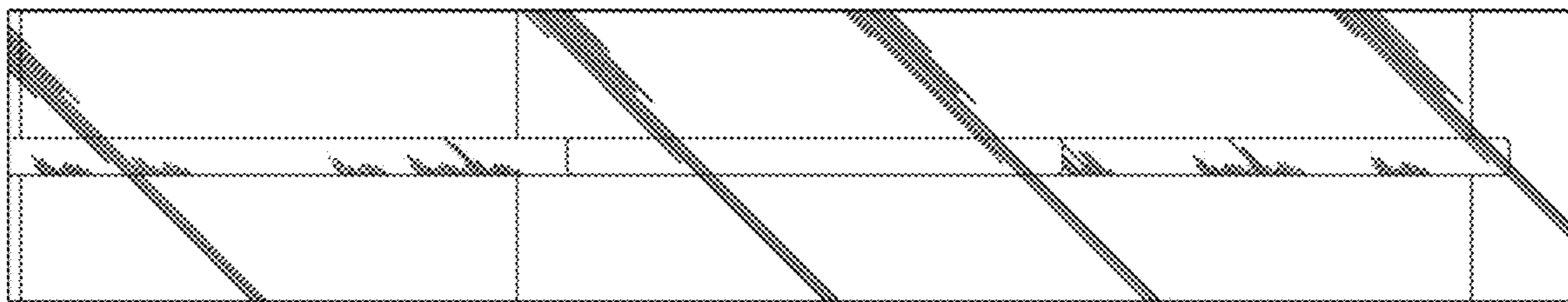


FIG. 15

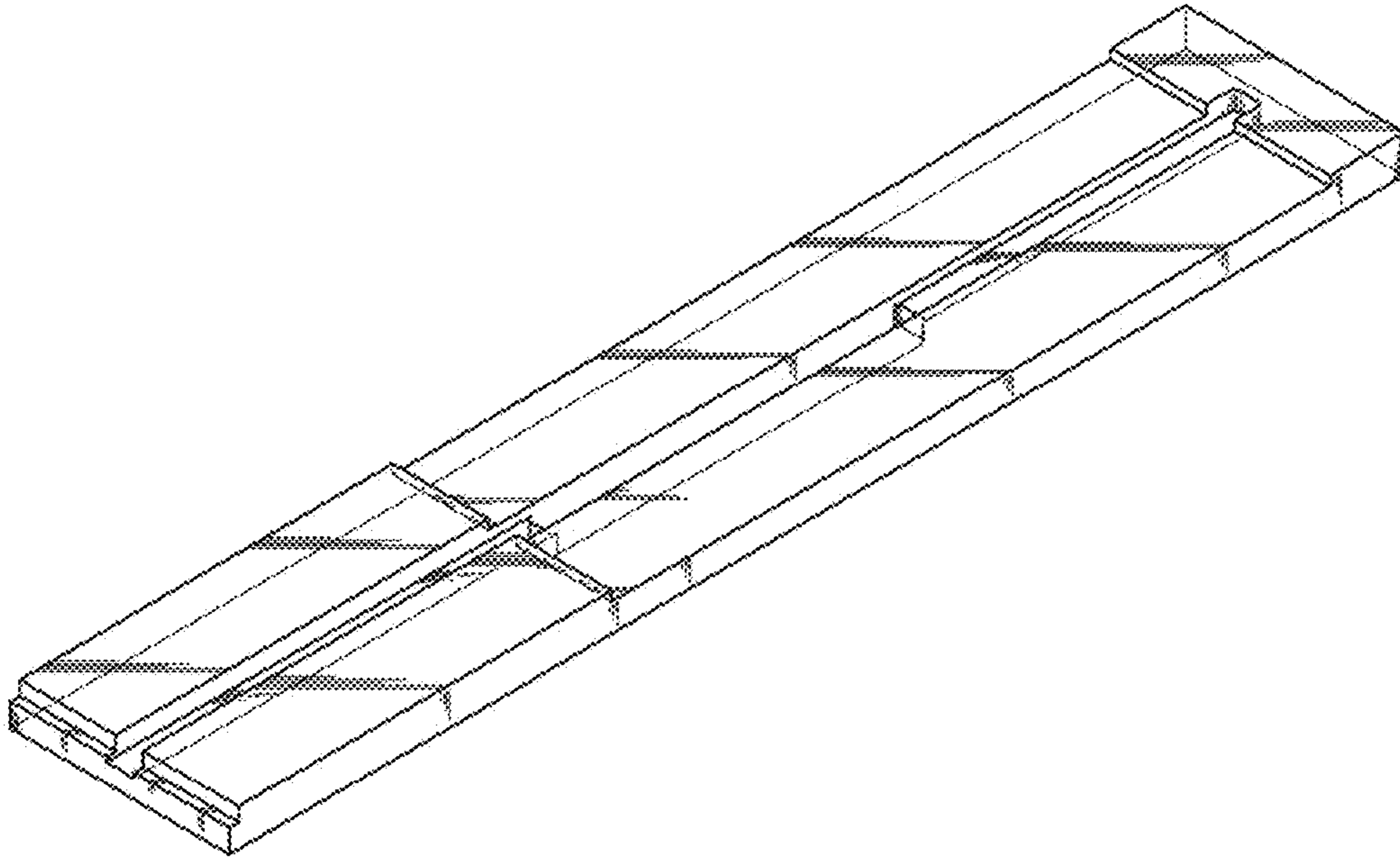


FIG. 16

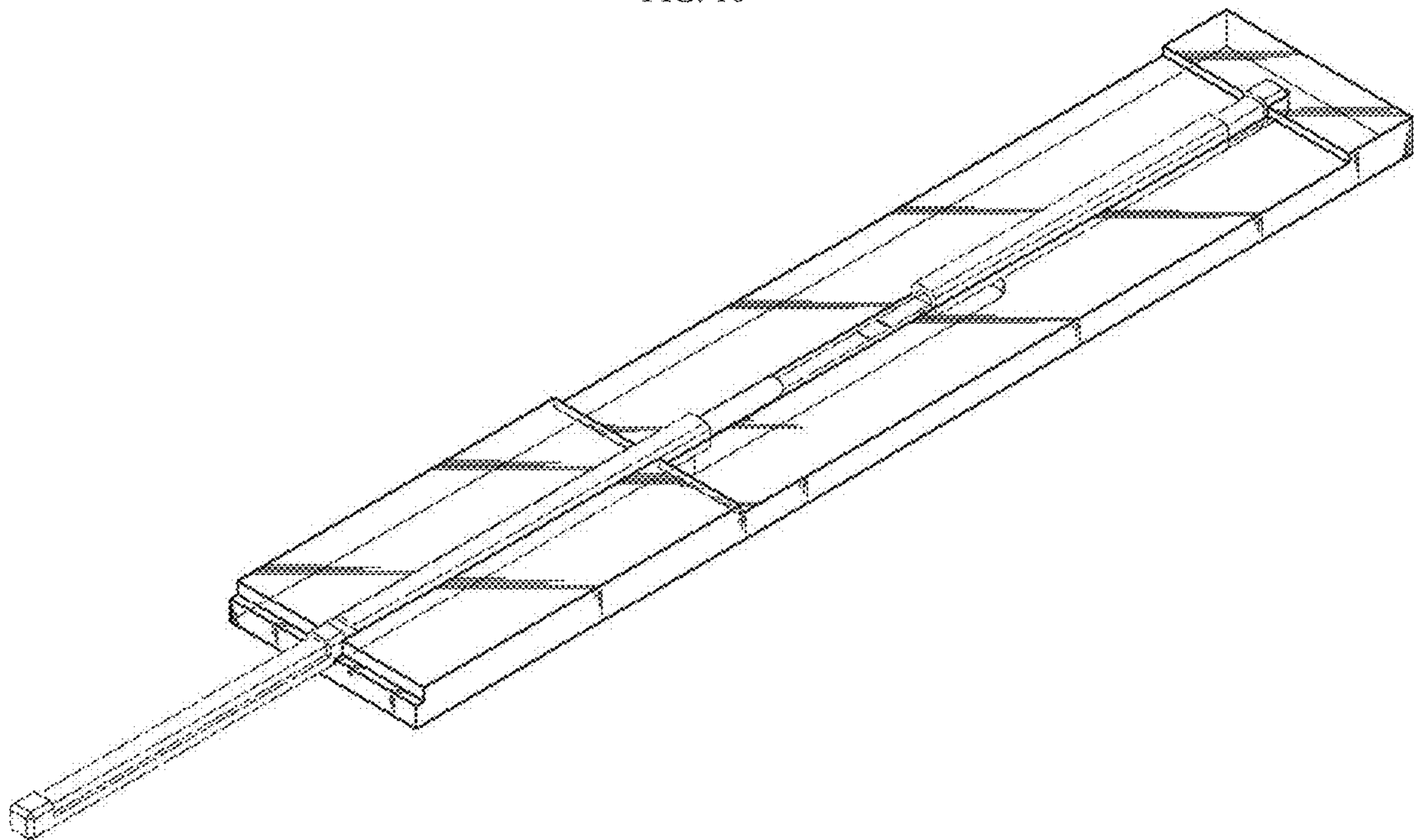


FIG. 17

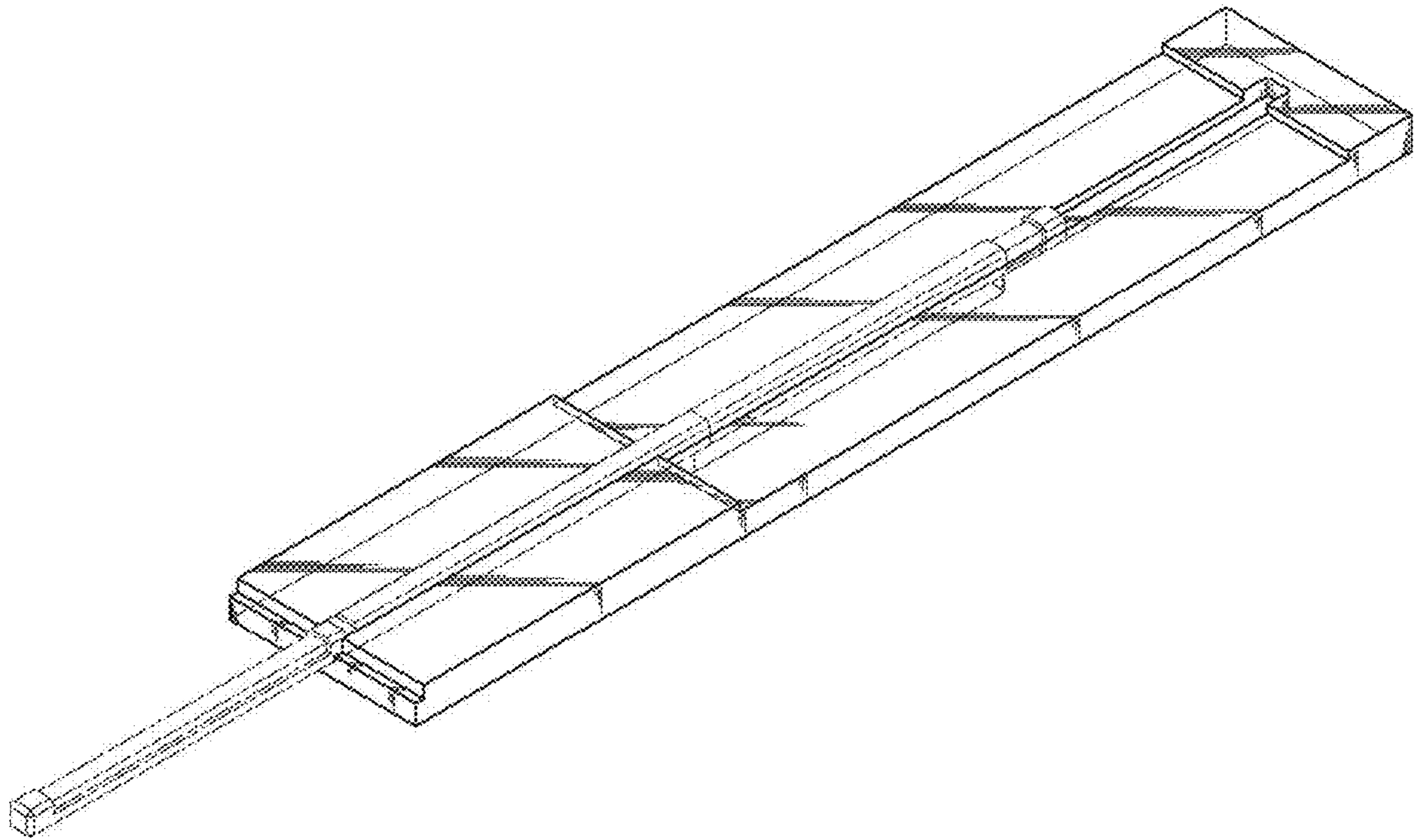


FIG. 18

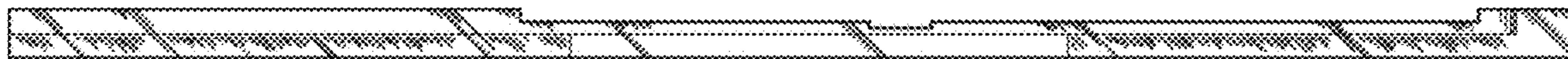


FIG. 19



FIG. 20



FIG. 21

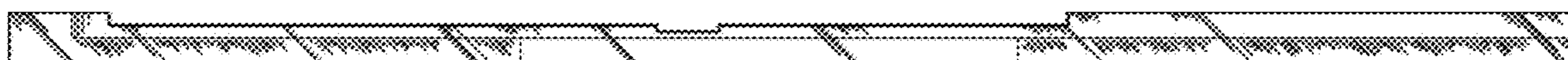


FIG. 22

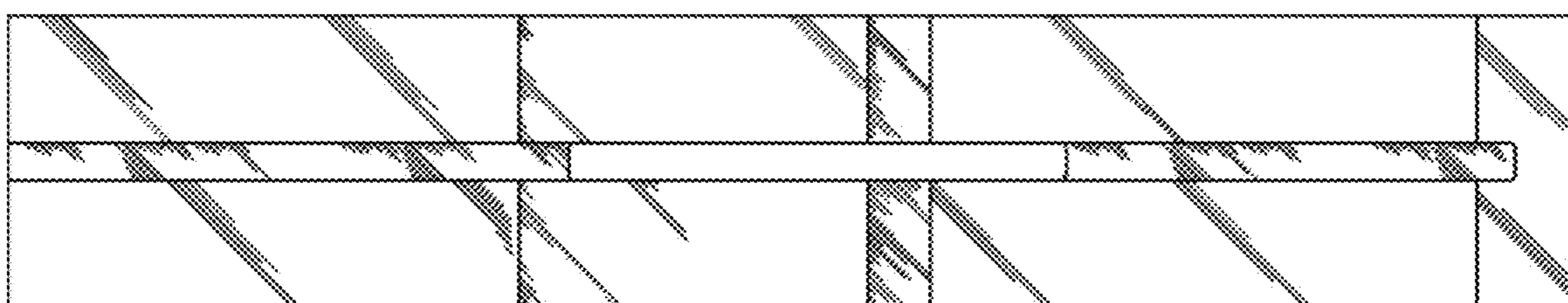


FIG. 23

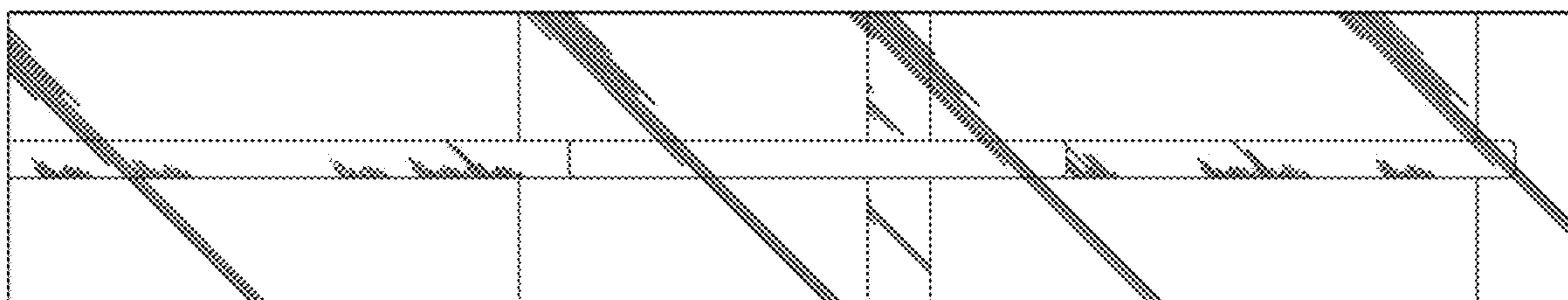


FIG. 24

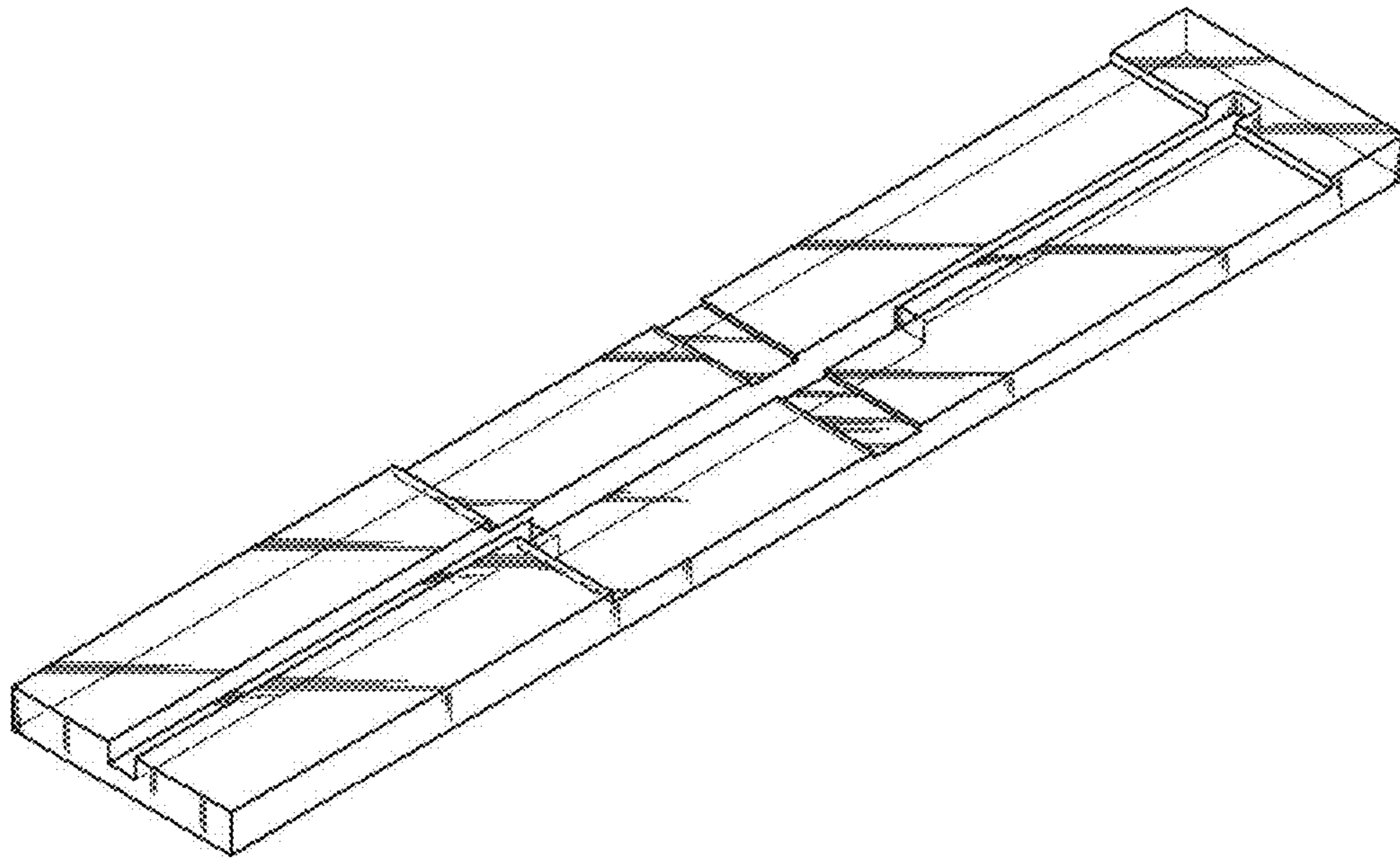


FIG. 25

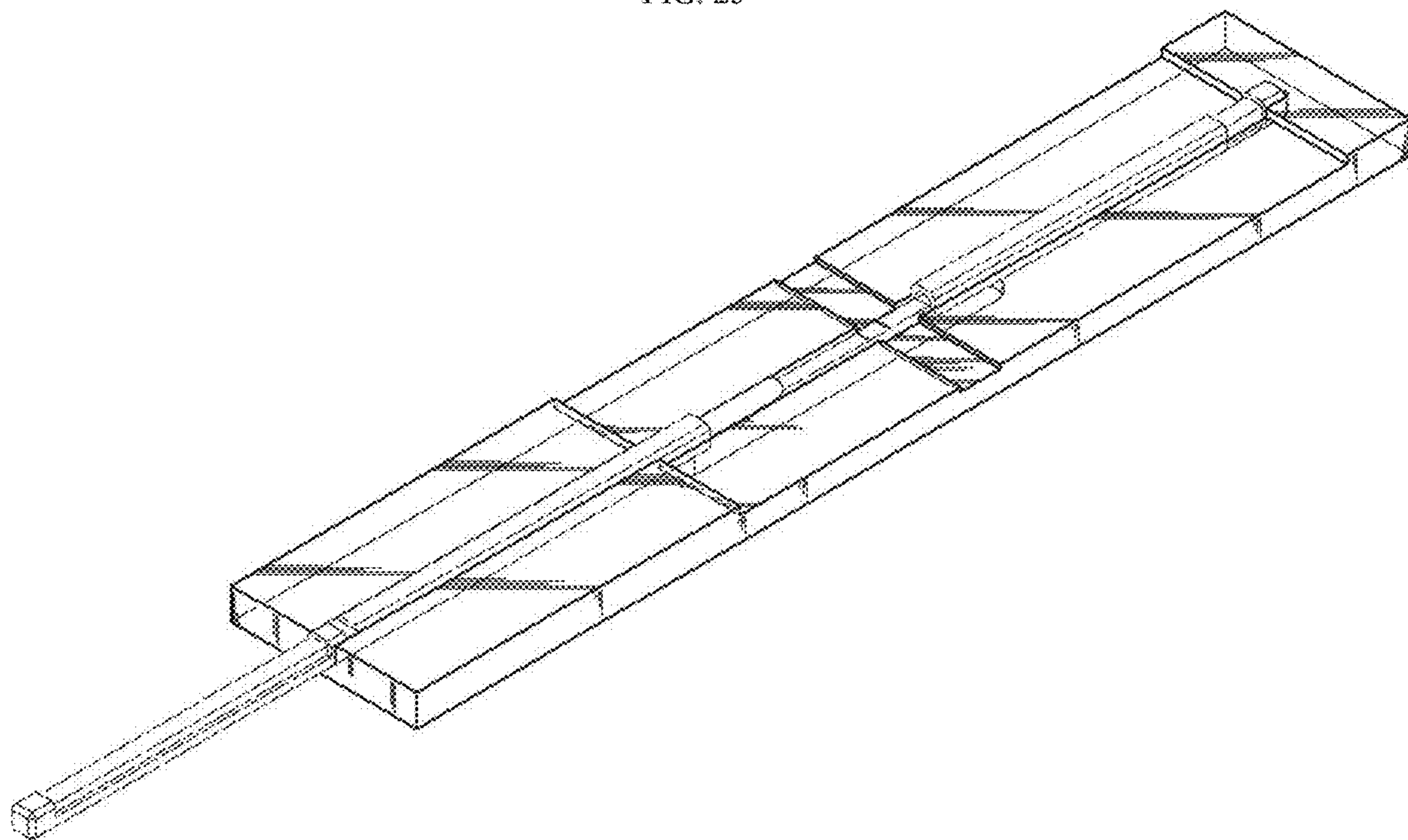


FIG. 26

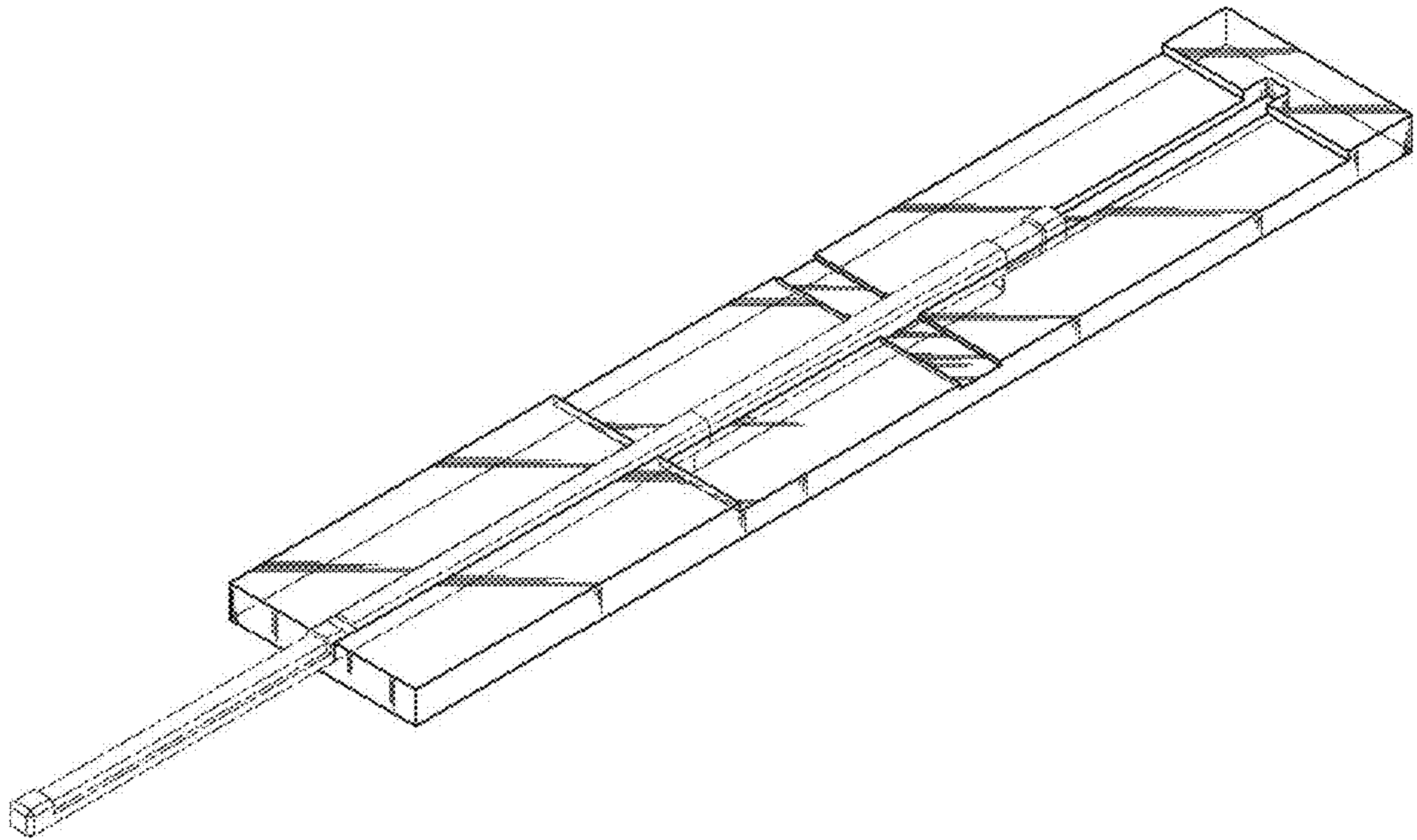


FIG. 27