



US00D970745S

(12) **United States Design Patent** (10) **Patent No.:** **US D970,745 S**
He (45) **Date of Patent:** **** Nov. 22, 2022**

(54) **MASSAGER**
(71) Applicant: **Shenzhen S-Hande Technology Co., Ltd.**, Shenzhen (CN)
(72) Inventor: **Jing He**, Shenzhen (CN)
(73) Assignee: **SHENZHEN S-HANDE TECHNOLOGY CO., LTD.**, Shenzhen (CN)

D824,037 S * 7/2018 Yueh D24/215
D853,261 S * 7/2019 Elangovan G06F 3/017
D10/104.1
D861,910 S * 10/2019 Wang D24/215
D895,820 S * 9/2020 Levi D24/200
D938,059 S * 12/2021 Dumler D24/215
D940,344 S * 1/2022 Dumler D24/215
D942,638 S * 2/2022 Liu D24/215
D950,761 S * 5/2022 Dumler D24/215
D950,762 S * 5/2022 Anderton D24/215
D950,763 S * 5/2022 Anderton D24/215

(**) Term: **15 Years**

OTHER PUBLICATIONS

(21) Appl. No.: **29/780,457**
(22) Filed: **Apr. 24, 2021**
(51) **LOC (13) Cl.** **28-03**
(52) **U.S. Cl.**
USPC **D24/215**
(58) **Field of Classification Search**
USPC D24/200, 211, 212, 213, 214, 215;
D30/160
CPC A61H 19/30; A61H 19/00; A61H 19/32;
A61H 19/44; A61H 19/34; A61H 19/40;
A61H 21/00; A61H 2205/08; A61H
2201/1628; A61H 7/007
See application file for complete search history.

Jumcho, "Rose Vibrator Cleopatra", Earliest Review Date: May 2, 2022. <https://www.jumcho.com/shop/rose-vibrator-cleopatra-adult-sex-toy/#reviews> (Year: 2022).*
Sexhande, "Cleopatra", Access Date: Sep. 13, 2022. <https://sexhande.com/?Vibrator/sucking-toy-13.html> (Year: 2022).*

* cited by examiner

Primary Examiner — Michael A Maharajh

(56) **References Cited**

U.S. PATENT DOCUMENTS

D704,346 S * 5/2014 Tai D24/215
D704,347 S * 5/2014 Tai D24/215
D706,438 S * 6/2014 Hahr D24/215
D706,439 S * 6/2014 Hahr D24/215
D706,443 S * 6/2014 Hahr D24/215
D715,954 S * 10/2014 Sedic A61H 23/004
D24/215
D725,283 S * 3/2015 Sedic D24/215
D752,237 S * 3/2016 Cole D24/200
D771,831 S * 11/2016 Barnard D24/215
D773,066 S * 11/2016 Sedic D24/215
D812,237 S * 3/2018 Cole D24/200

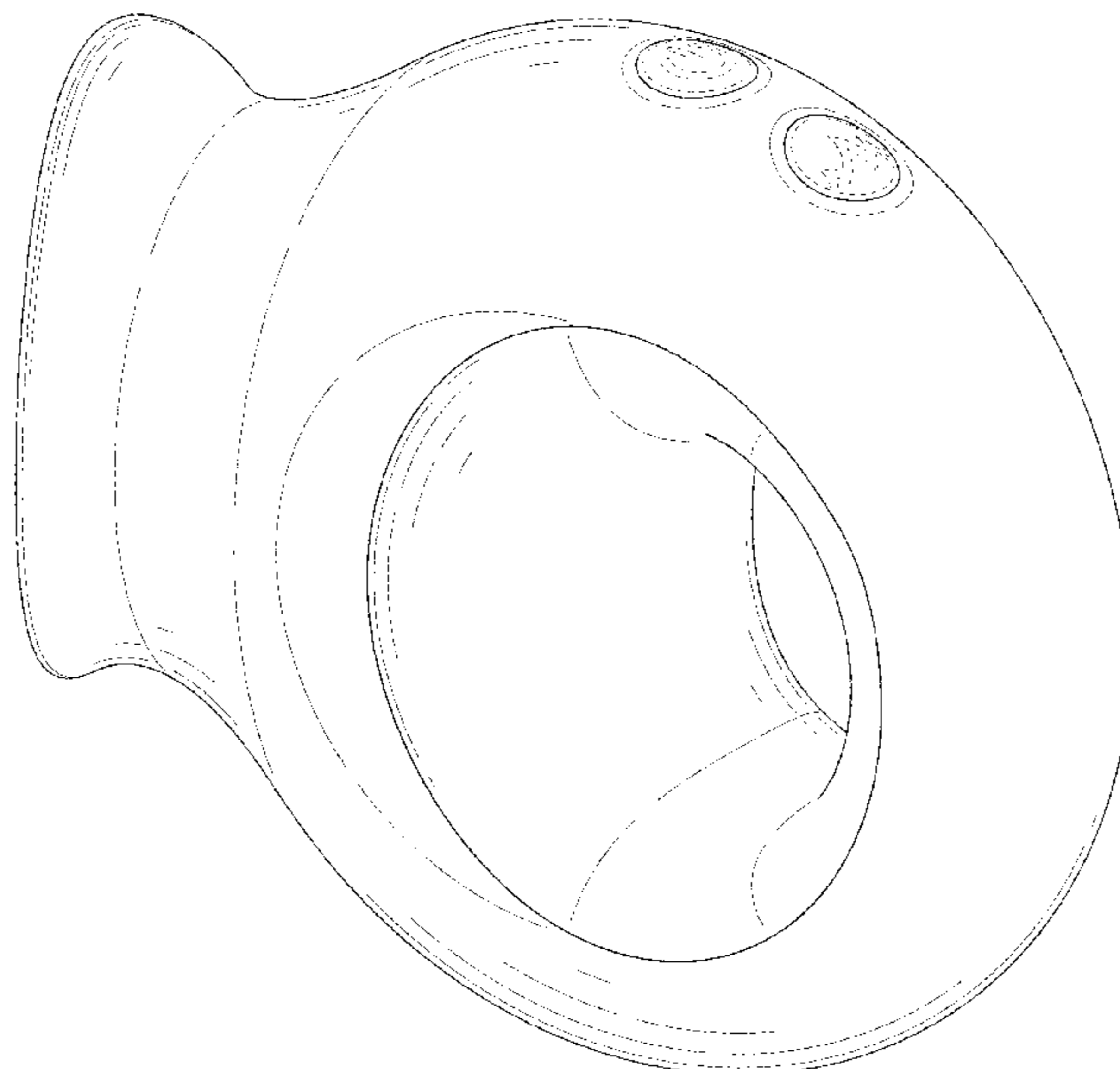
(57) **CLAIM**

The ornamental design for a massager, as shown and described.

DESCRIPTION

FIG. 1 is a perspective view of a massager showing ow new design;
FIG. 2 is another perspective view thereof;
FIG. 3 is a front elevational view thereof;
FIG. 4 is a rear elevational view thereof;
FIG. 5 is a left side elevational view thereof;
FIG. 6 is a right side elevational view thereof;
FIG. 7 is a top plan view thereof; and,
FIG. 8 is a bottom plan view thereof.
The broken lines in the drawings depict portions of the massager that form no part of the claimed design.

1 Claim, 8 Drawing Sheets



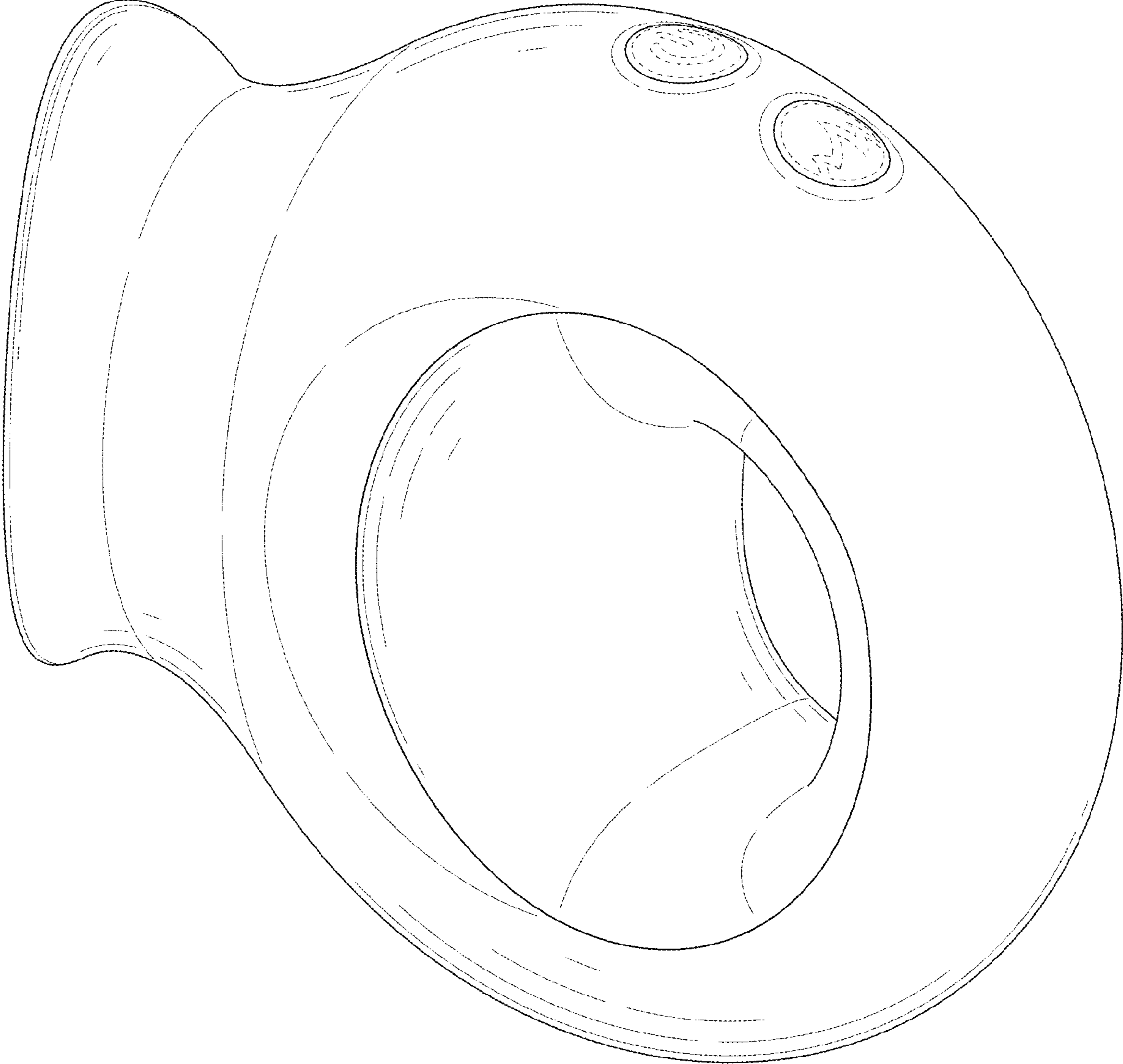


FIG. 1

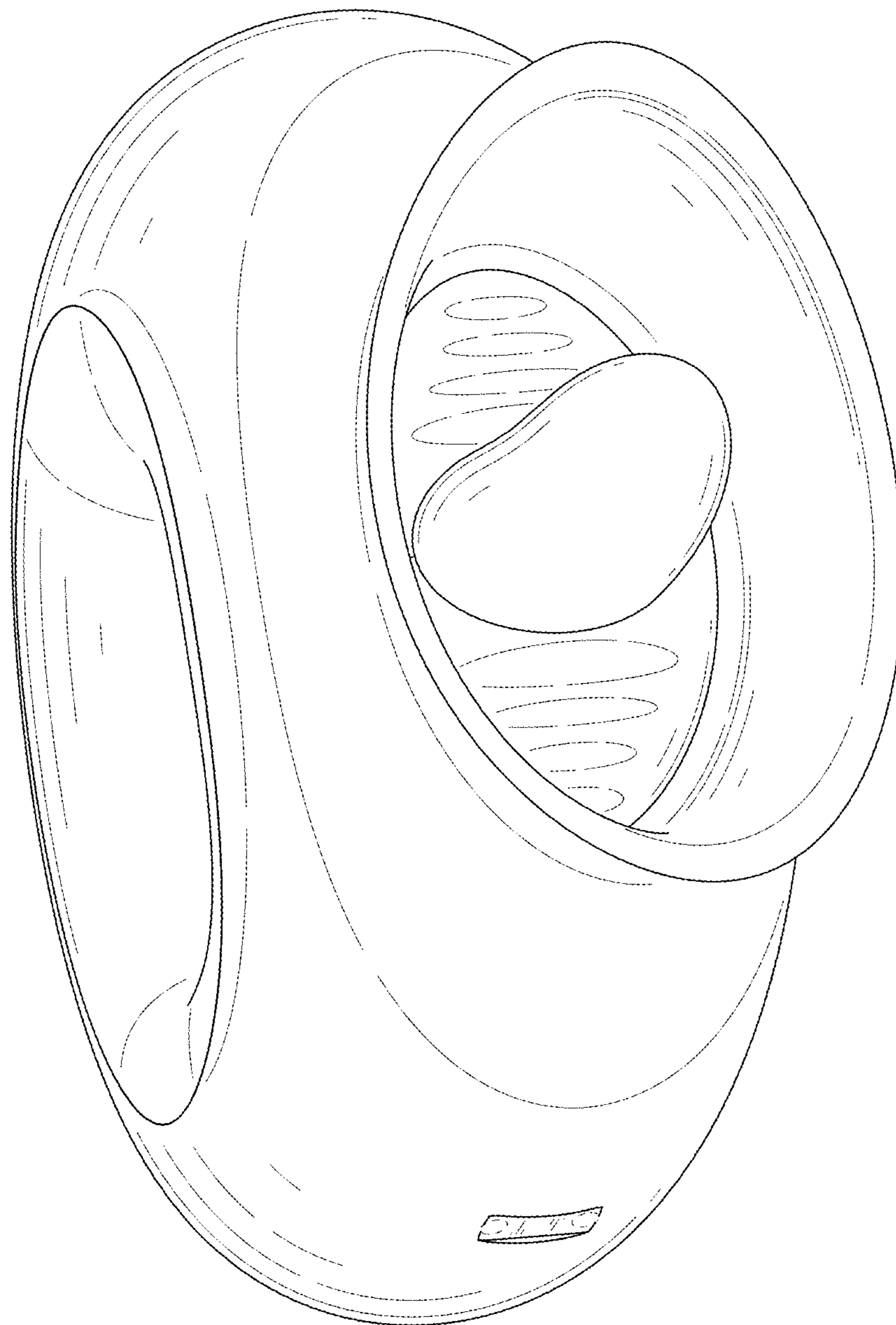


FIG. 2

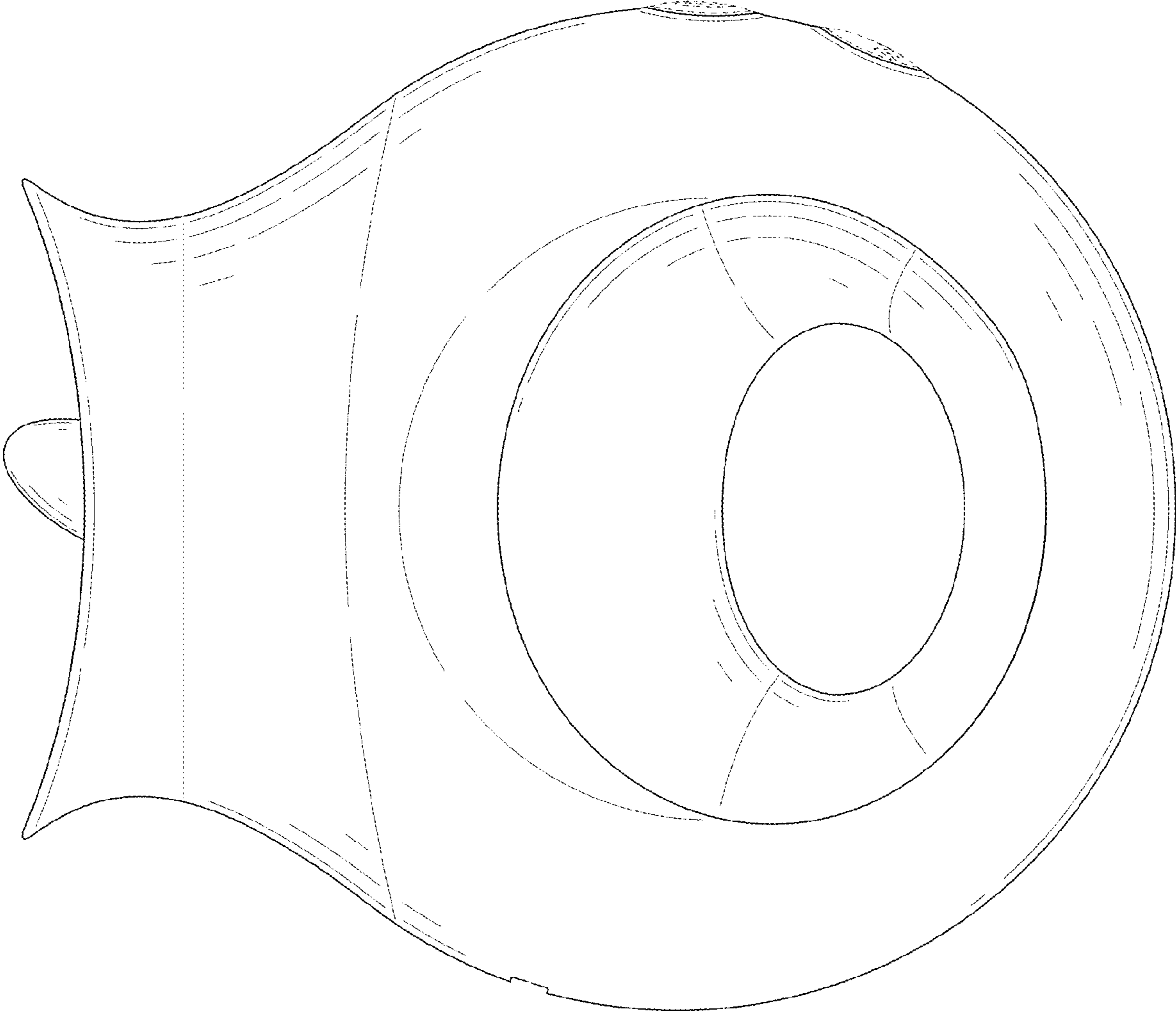


FIG. 3

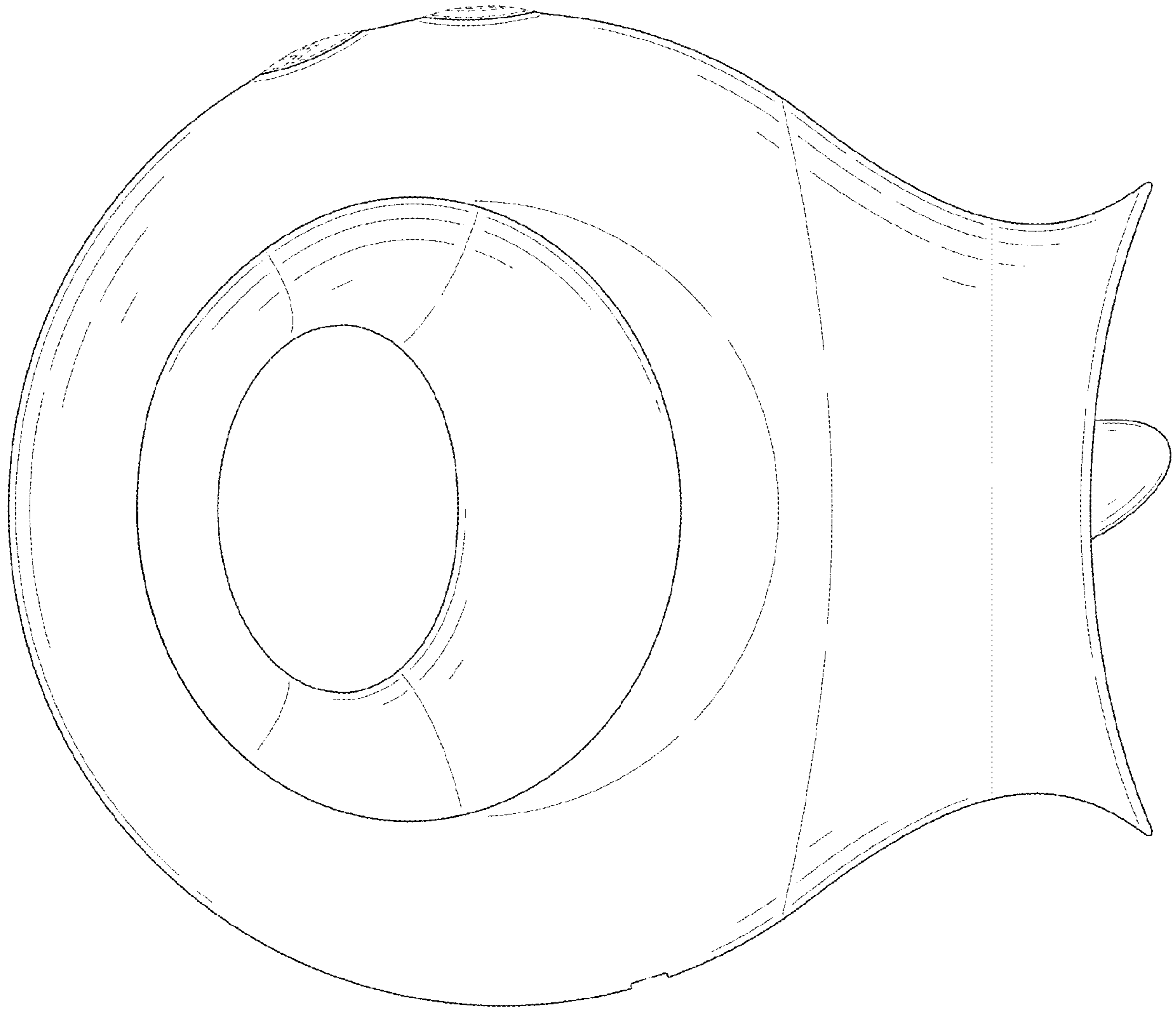


FIG. 4

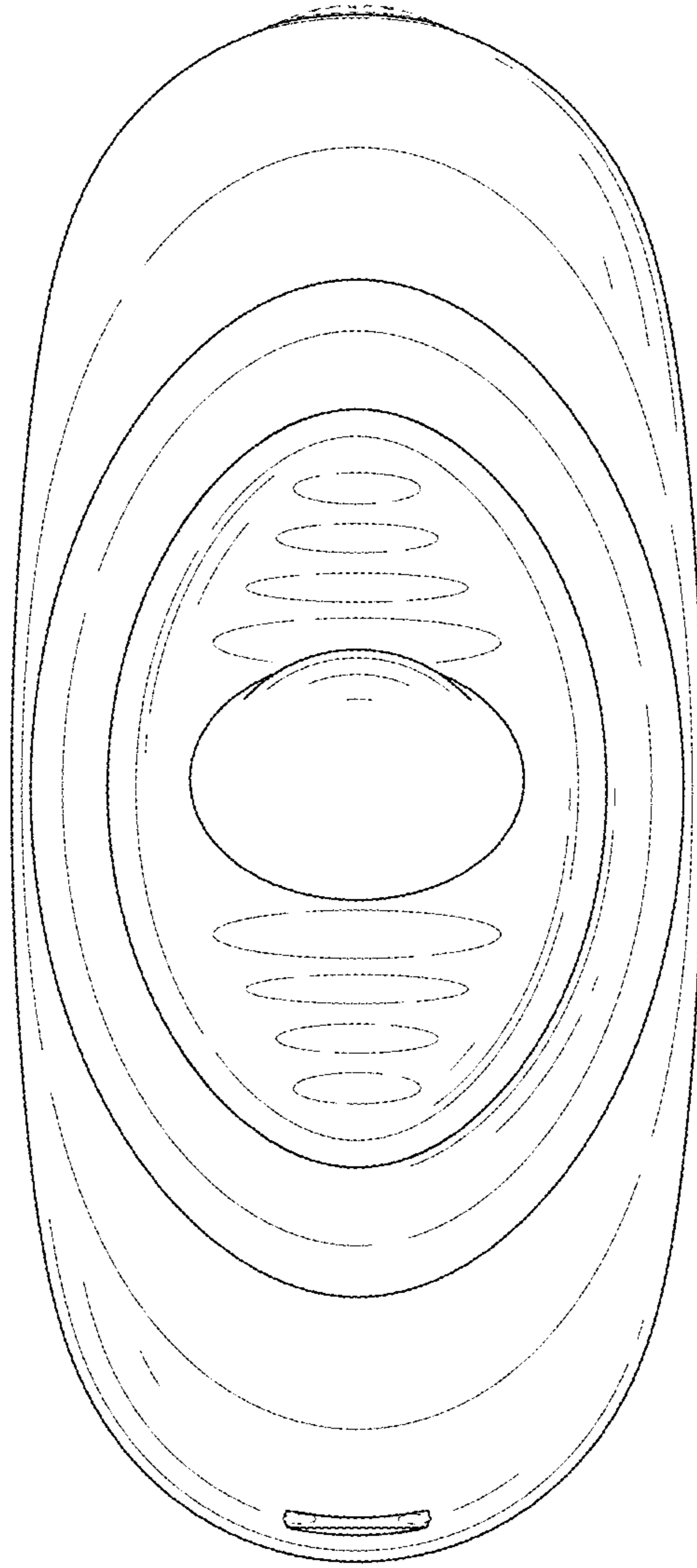


FIG. 5

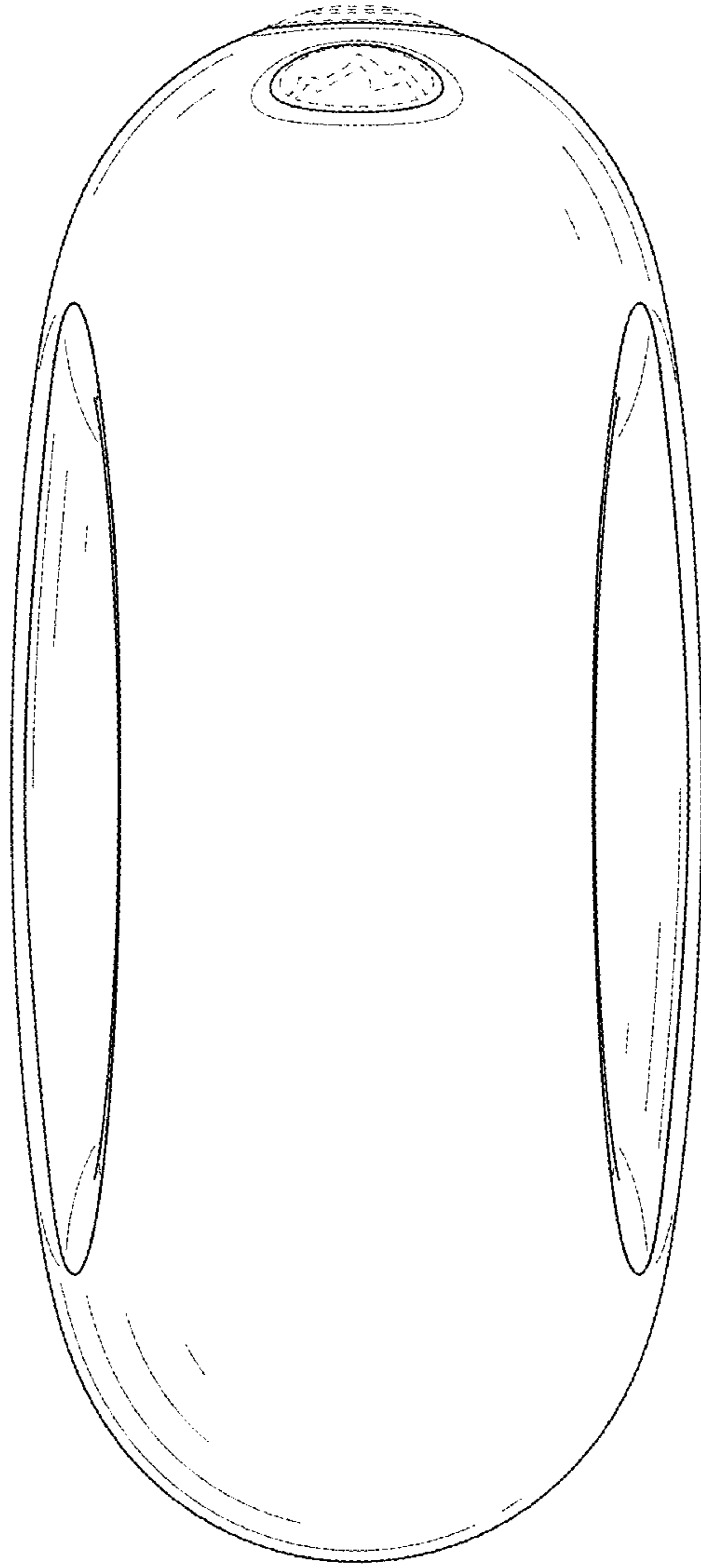


FIG. 6

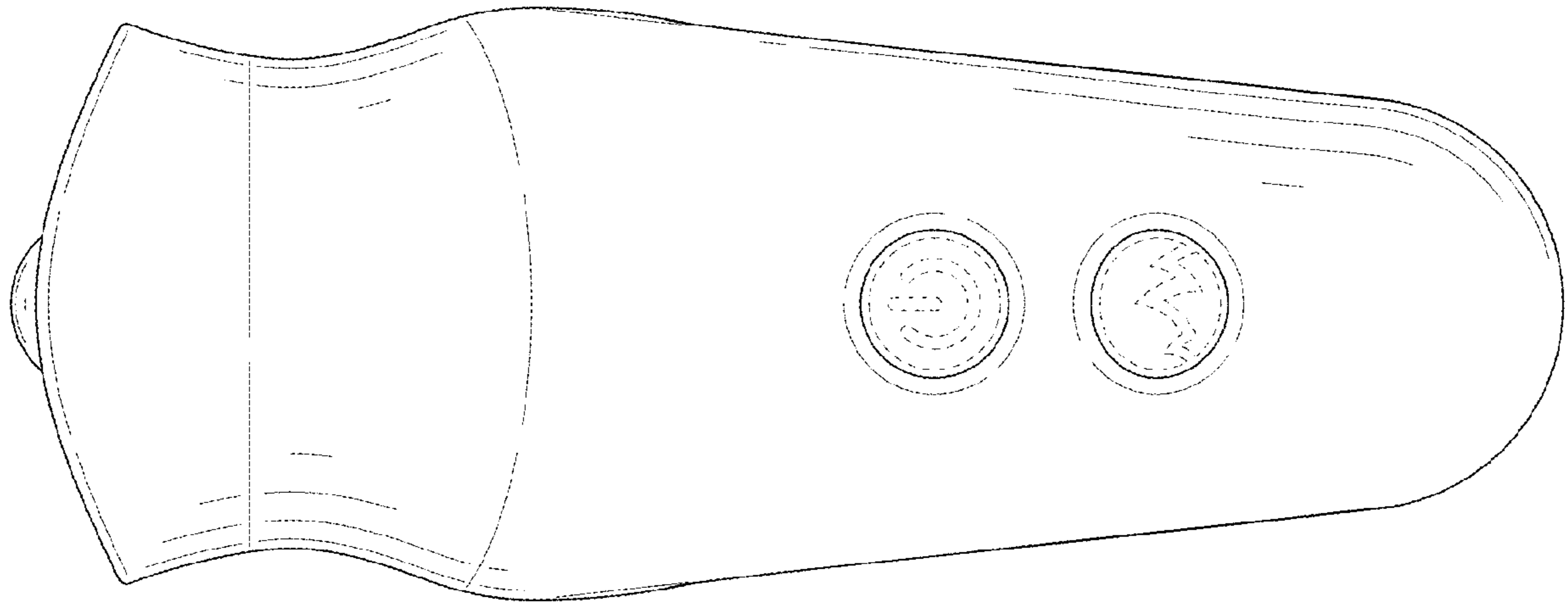


FIG. 7

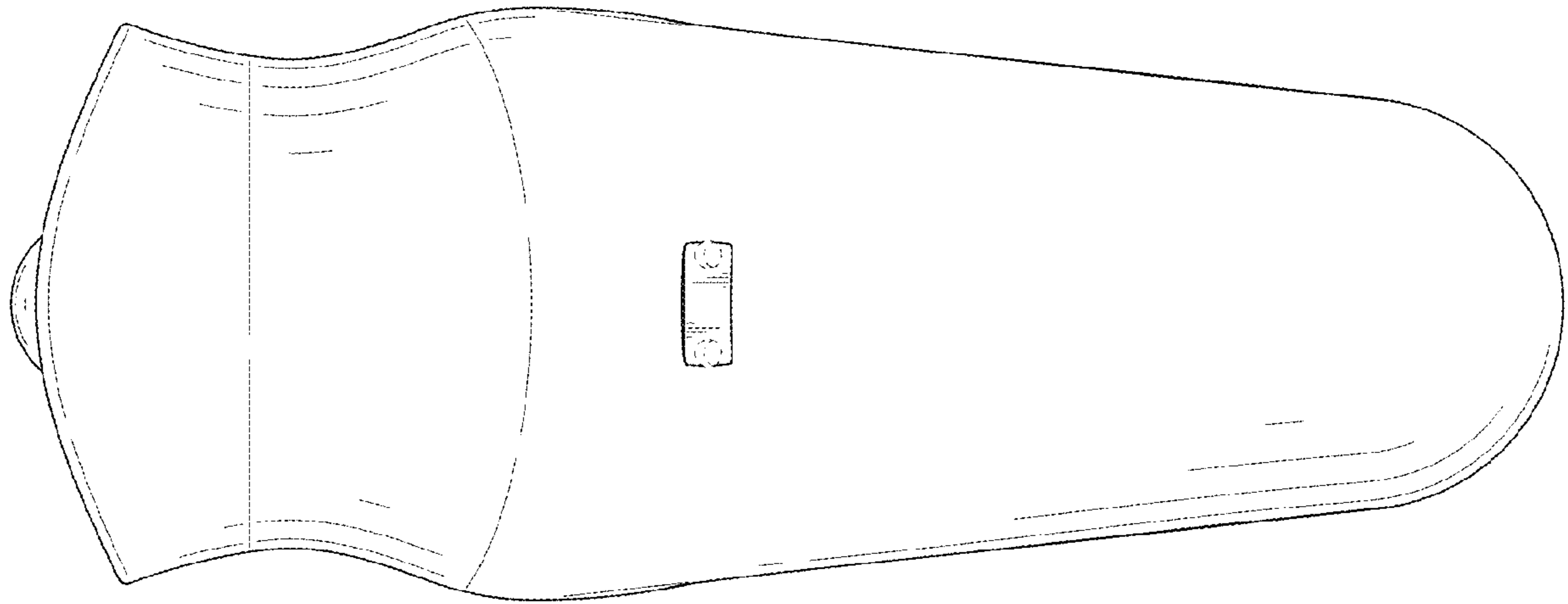


FIG. 8