



US00D970743S

(12) **United States Design Patent**
Brailey

(10) **Patent No.:** **US D970,743 S**

(45) **Date of Patent:** **** Nov. 22, 2022**

(54) **MESSAGE ELEMENT**

D907,792 S 1/2021 Marton et al.
D908,235 S 1/2021 Marton et al.
D915,078 S * 4/2021 Tang D4/136

(71) Applicant: **FKA Distributing Co., LLC**,
Commerce Township, MI (US)

* cited by examiner

(72) Inventor: **Harry Brailey**, Tunbridge Wells (GB)

Primary Examiner — Michael A Maharajh

(73) Assignee: **FKA Distributing Co., LLC**,
Commerce Township, MI (US)

(74) *Attorney, Agent, or Firm* — Brooks Kushman P.C.

(**) Term: **15 Years**

(57) **CLAIM**

The ornamental design for a message element, as shown and described.

(21) Appl. No.: **29/768,771**

DESCRIPTION

(22) Filed: **Feb. 1, 2021**

(51) **LOC (13) Cl.** **28-03**

(52) **U.S. Cl.**
USPC **D24/215**

(58) **Field of Classification Search**
USPC D24/133, 188, 200, 211, 212, 213, 214,
D24/215; D28/63; D30/160; D4/130
CPC A46B 15/0075; A46B 2200/1006; A46B
2200/1053; A46B 3/00
See application file for complete search history.

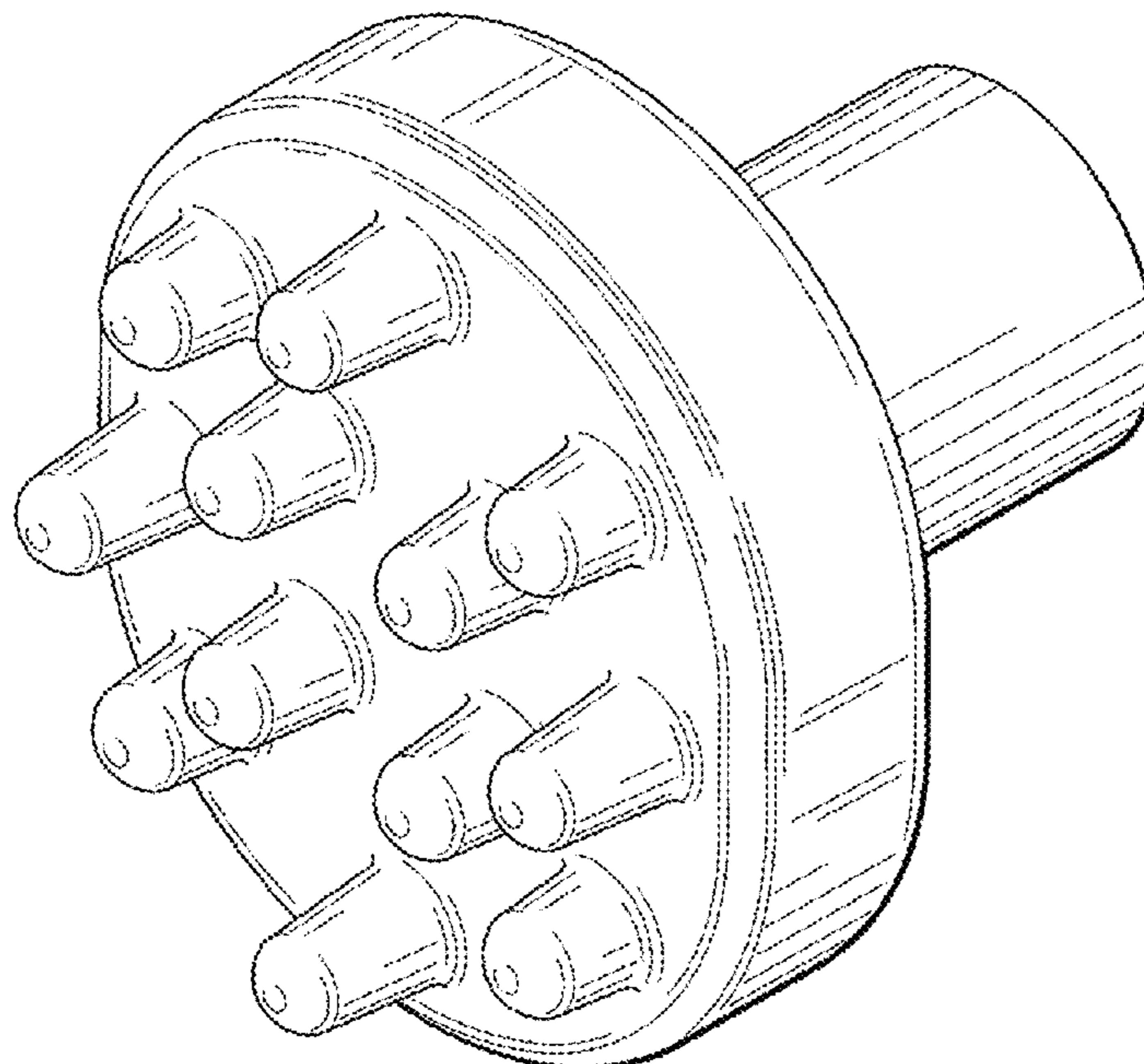
FIG. 1 is a perspective view of a message element according to an embodiment;
FIG. 2 is a left side view of the message element of FIG. 1, the right side view being a mirror image thereof;
FIG. 3 is a front view of the message element of FIG. 1 thereof;
FIG. 4 is a rear view of the message element of FIG. 1 thereof;
FIG. 5 is a top view of the message element of FIG. 1, the bottom view being identical thereto;
FIG. 6 is a perspective view of a message element according to another embodiment;
FIG. 7 is a left side view of the message element of FIG. 6, the right side view being a mirror image thereof;
FIG. 8 is a front view of the message element of FIG. 6 thereof;
FIG. 9 is a rear view of the message element of FIG. 6 thereof; and,
FIG. 10 is a top view of the message element of FIG. 6, the bottom view being identical thereof.
The broken lines in the drawings are for the purpose of illustrating portions of the message element which form no part of the claimed design.

(56) **References Cited**

U.S. PATENT DOCUMENTS

D260,928 S	*	9/1981	Gueret	D24/211
D341,426 S	*	11/1993	Hubbard	D24/211
D344,137 S	*	2/1994	Yoo	D24/211
D344,591 S	*	2/1994	Zhuang	D24/211
D430,936 S	*	9/2000	Noble	D24/211
D514,328 S	*	2/2006	Huang	D4/127
D620,714 S	*	8/2010	Bona-Kustra	D4/130
D845,499 S		4/2019	Wersland et al.		
D848,011 S	*	5/2019	Champeval	D24/215
D859,851 S	*	9/2019	Park	D4/136
D865,192 S		10/2019	Nazarian		
D890,353 S		7/2020	Nazarian		

1 Claim, 7 Drawing Sheets



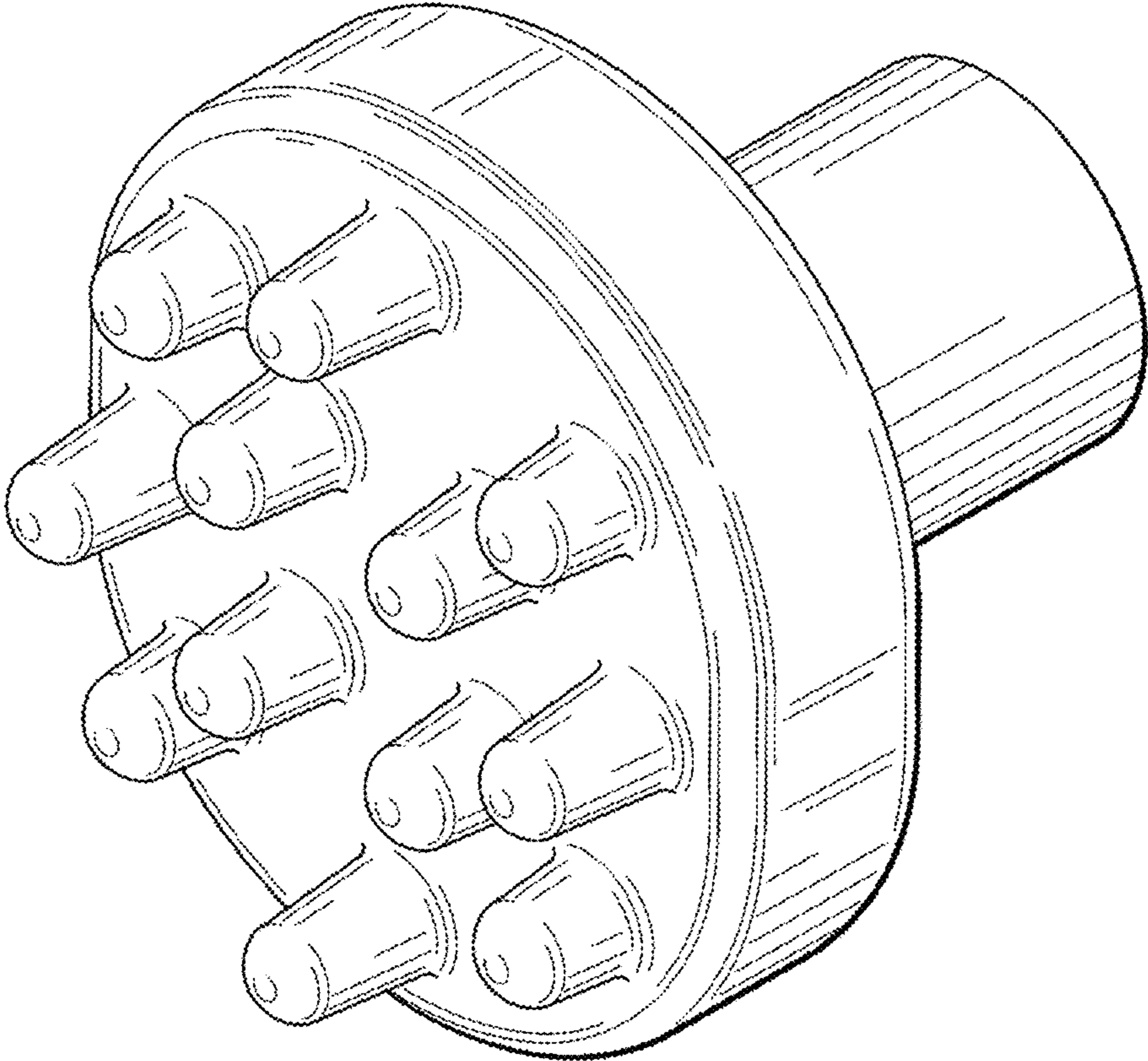


FIG. 1

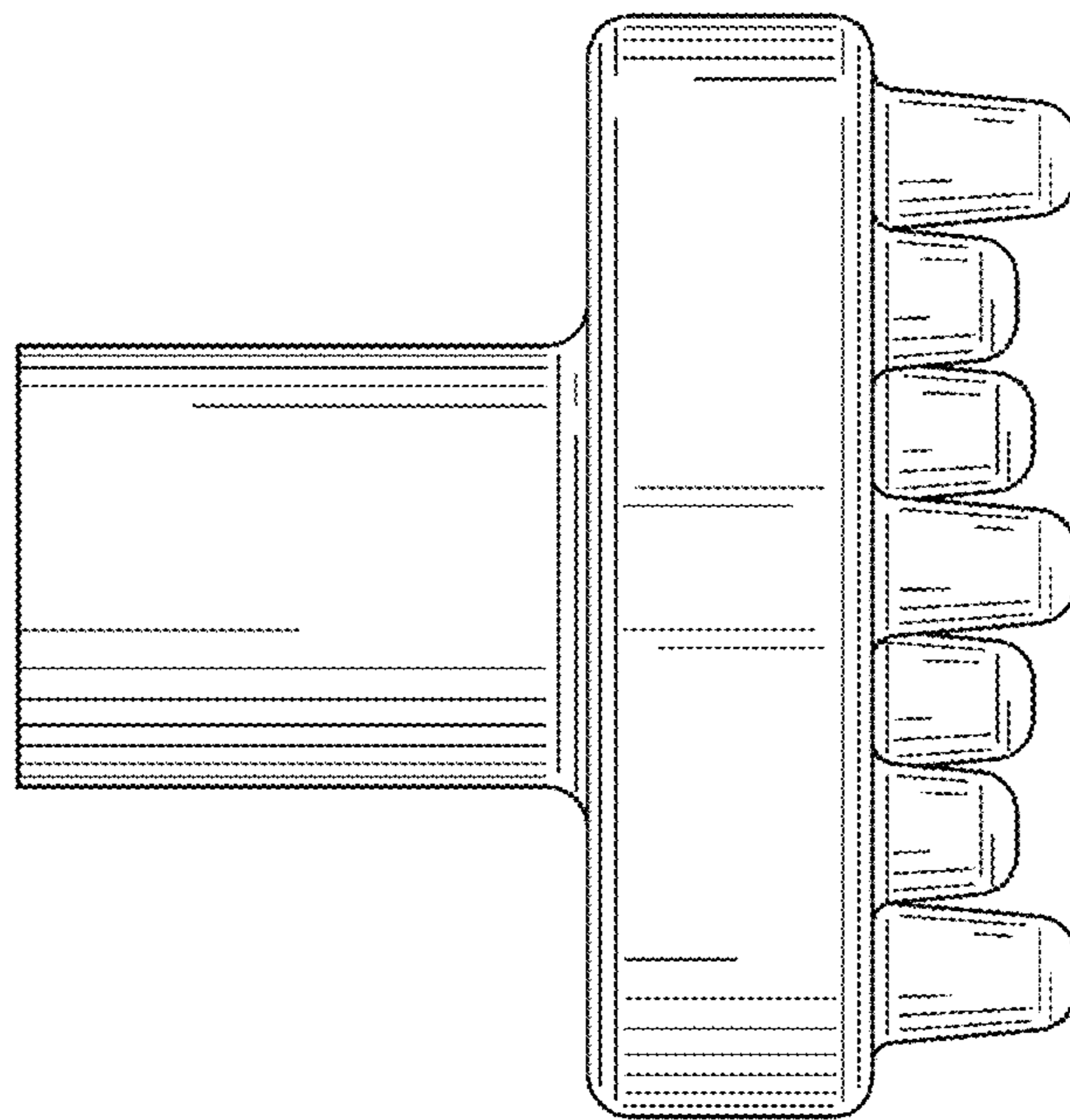


FIG. 2

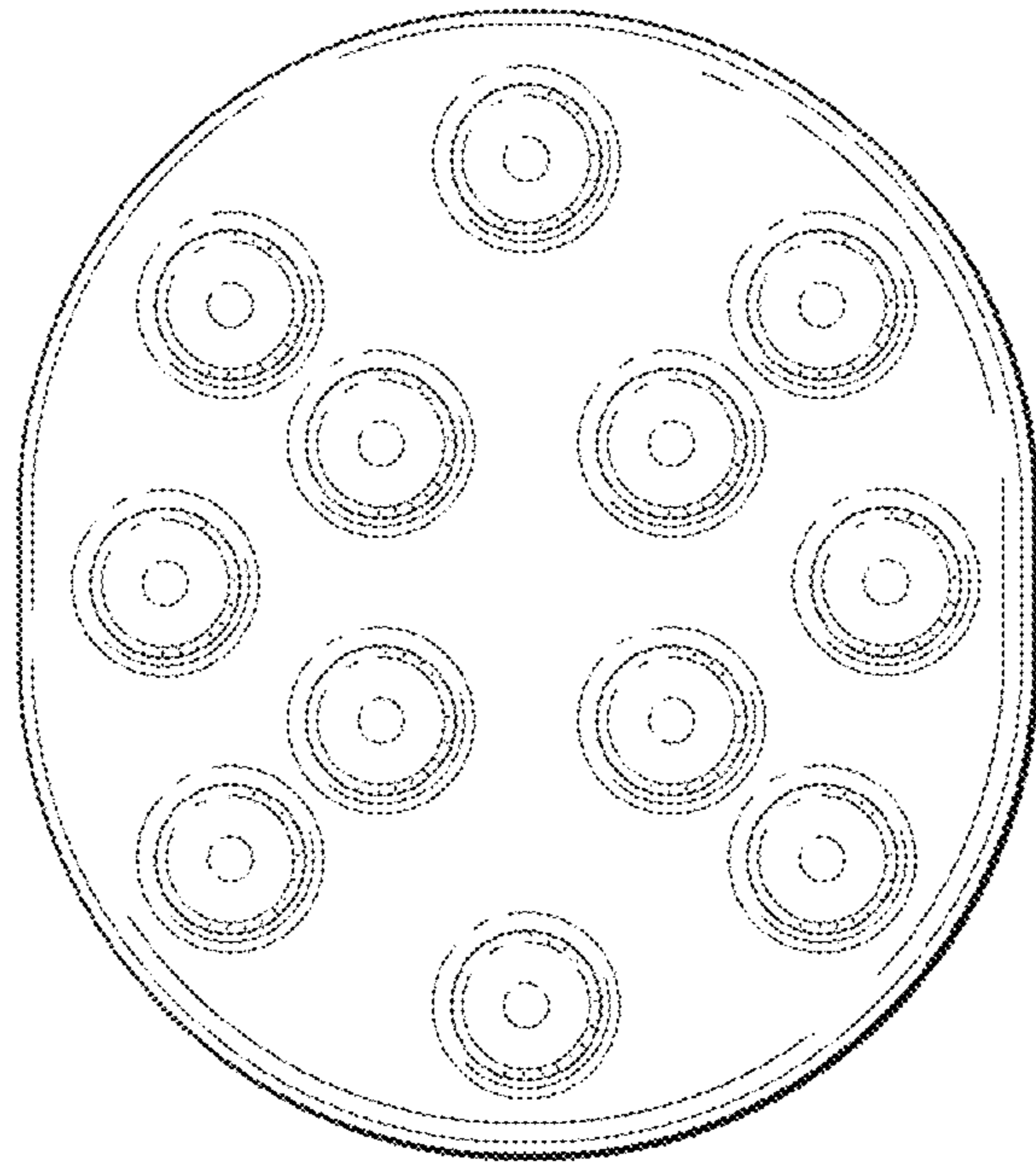


FIG. 3

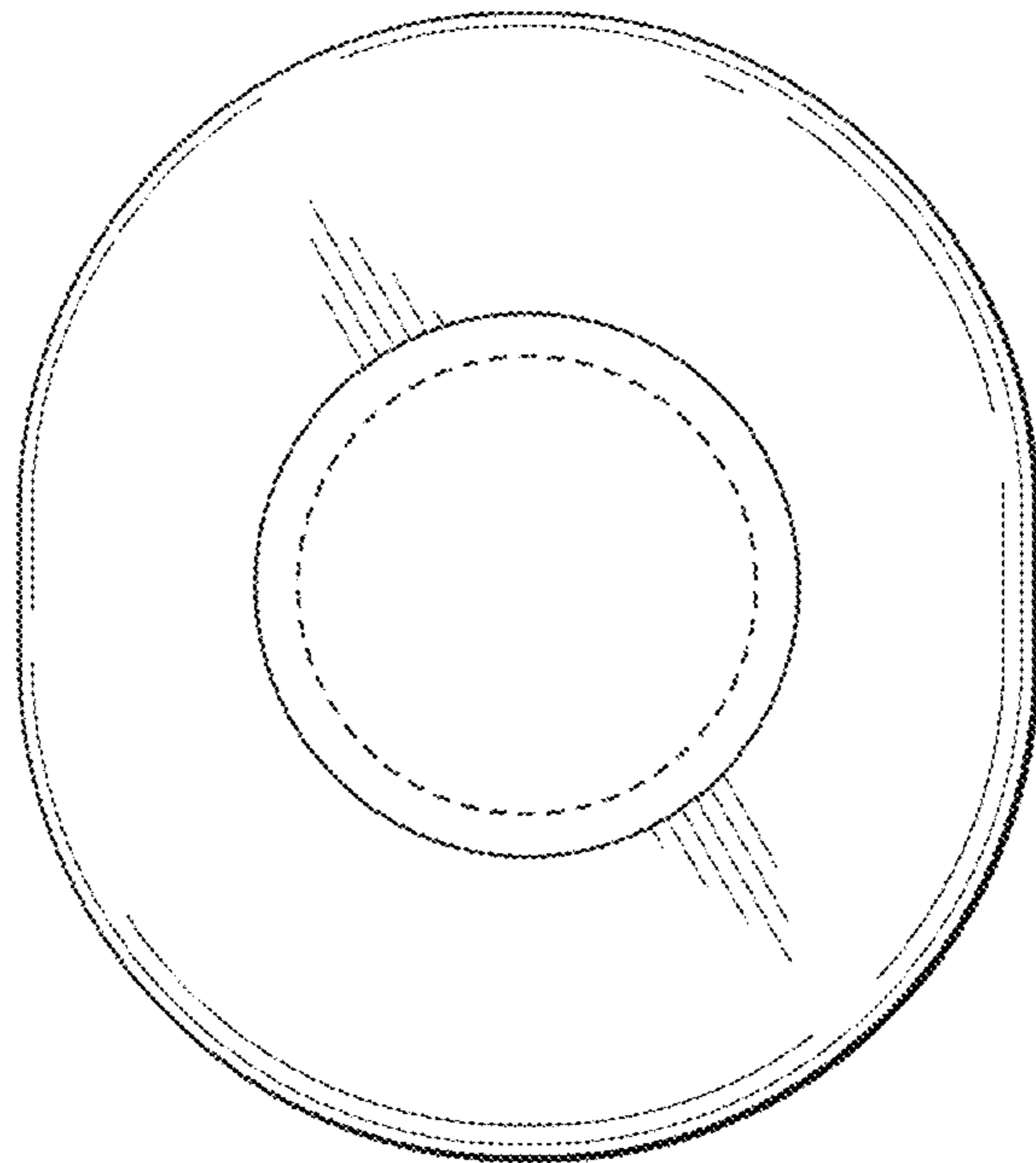


FIG. 4

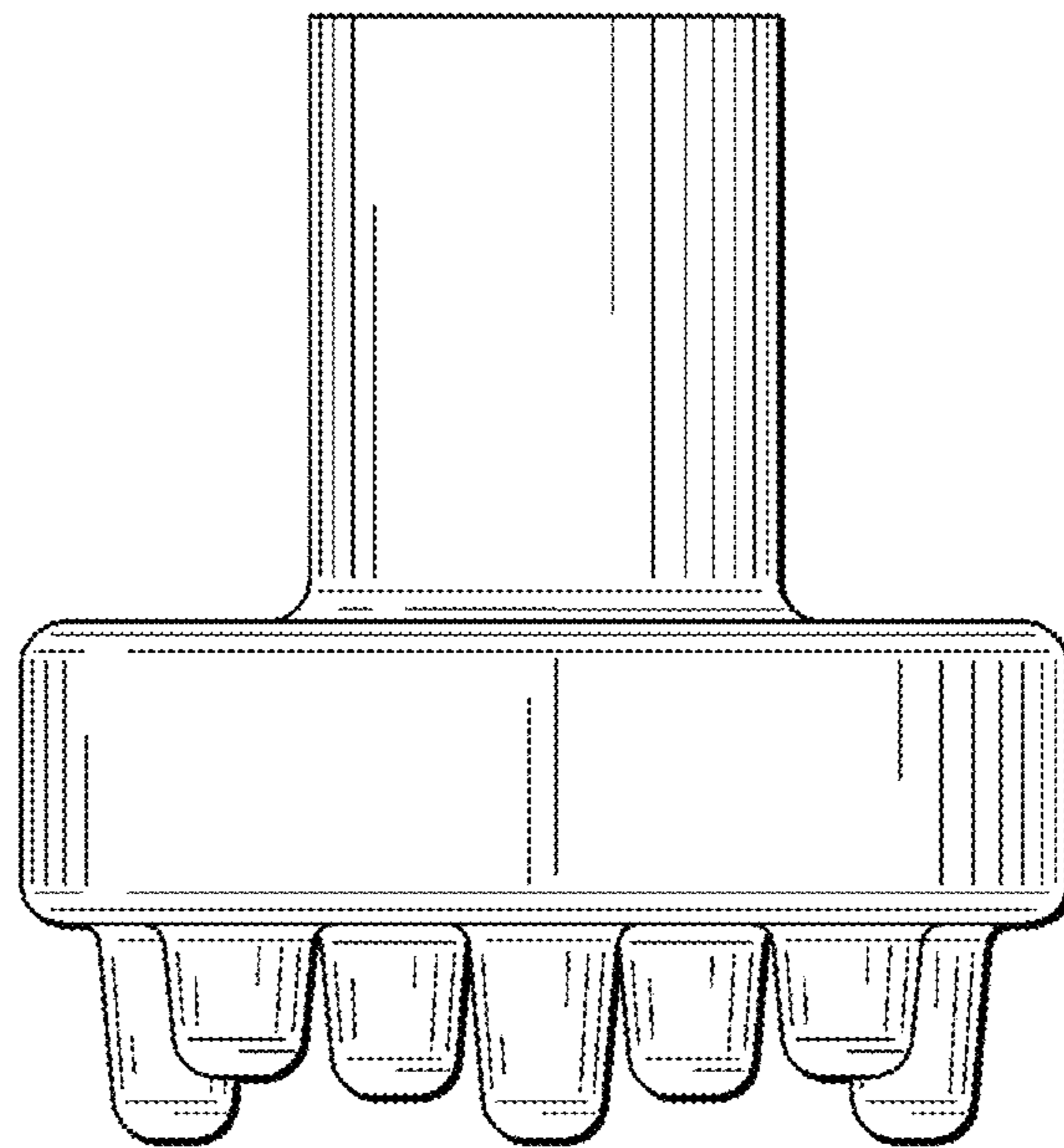


FIG. 5

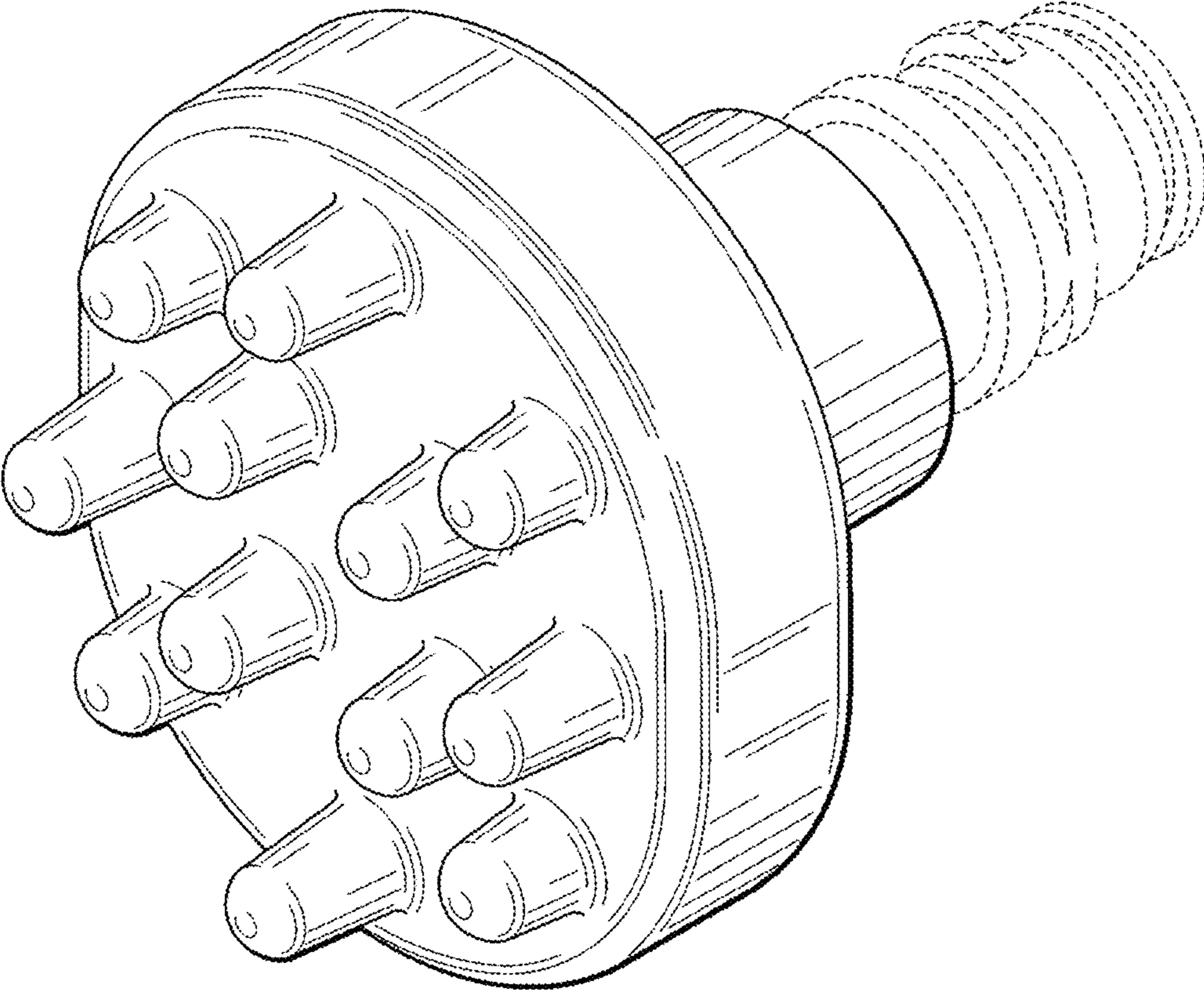


FIG. 6

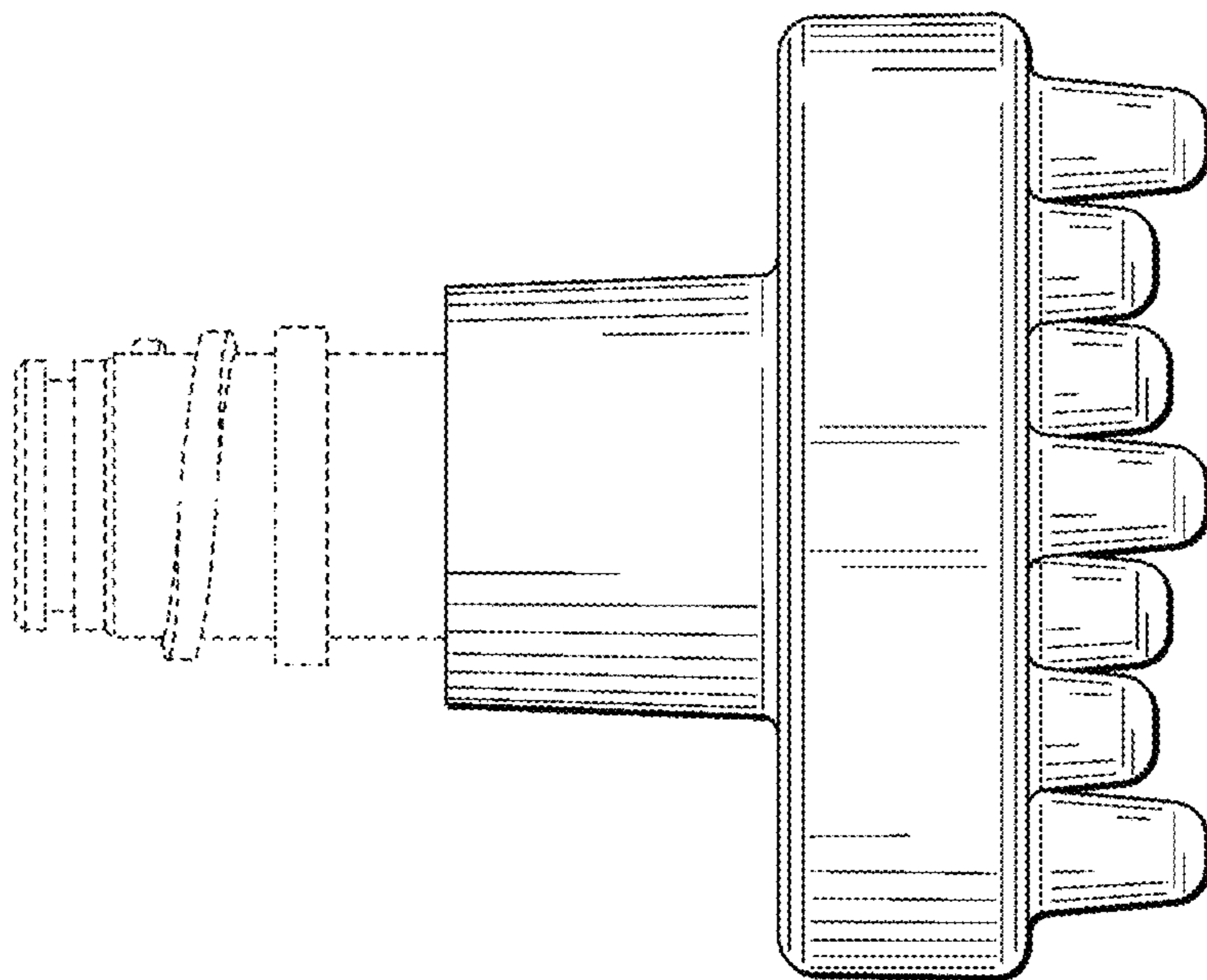


FIG. 7

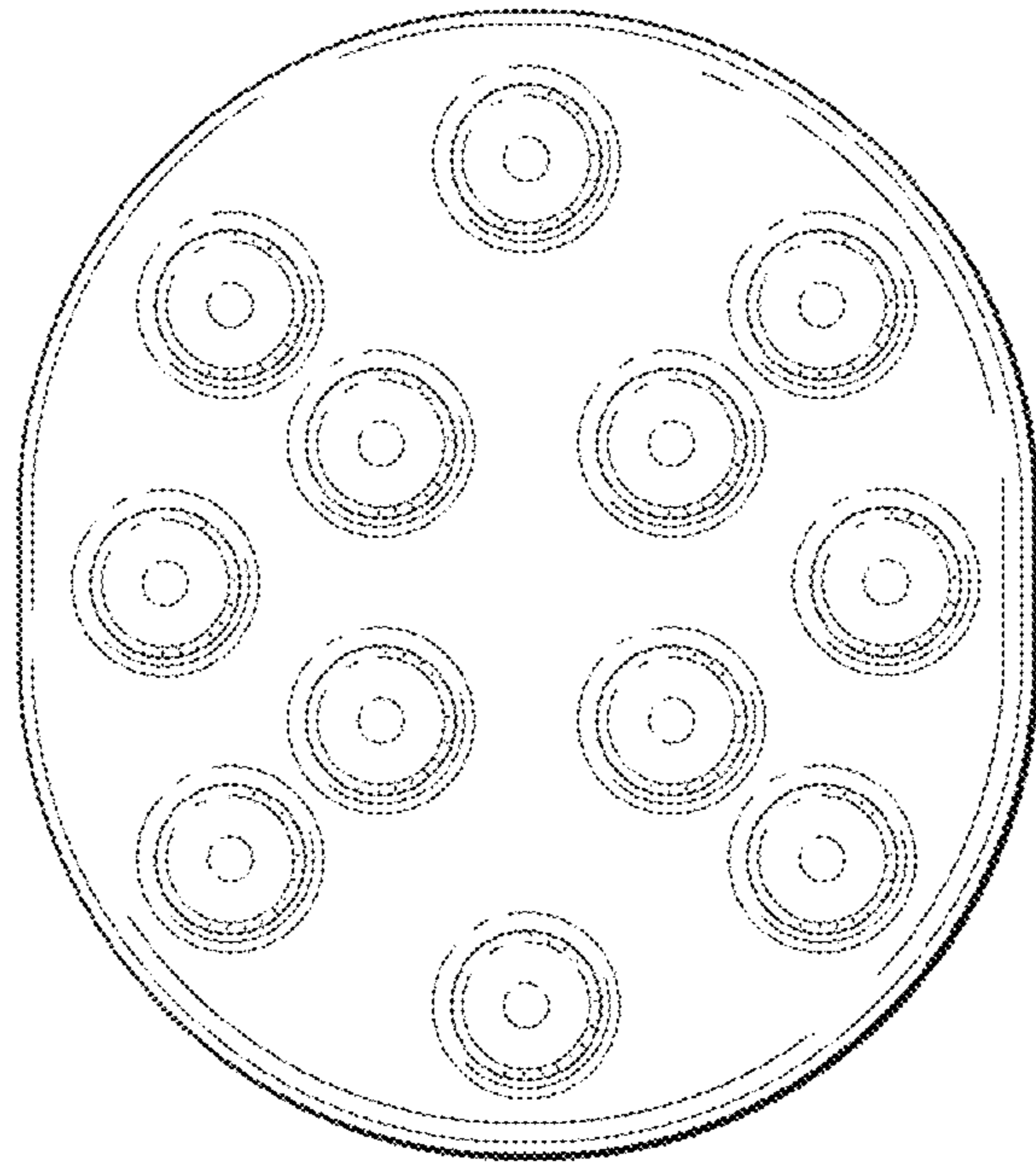


FIG. 8

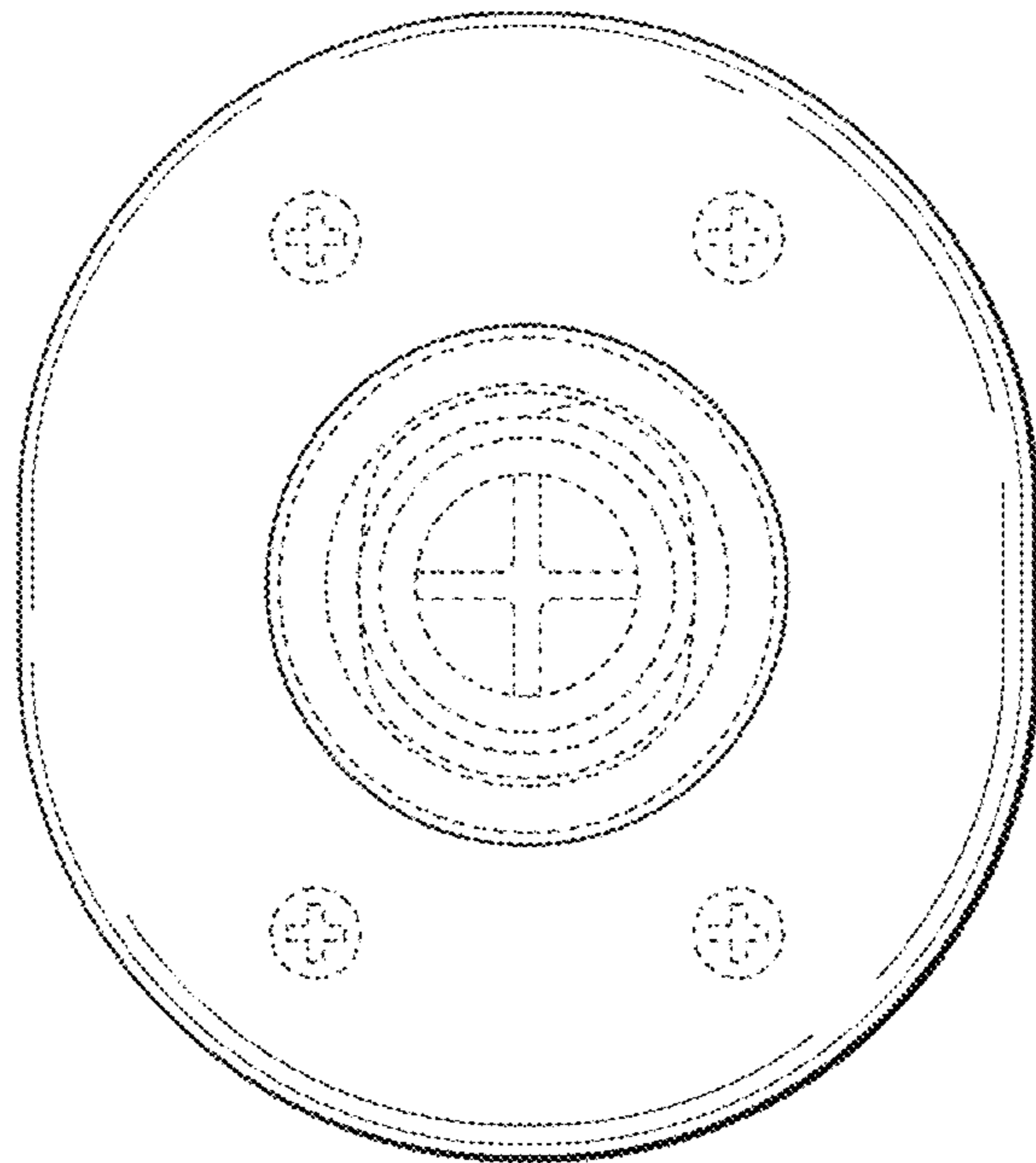


FIG. 9