



US00D970742S

(12) **United States Design Patent** (10) **Patent No.:** **US D970,742 S**  
**Hu** (45) **Date of Patent:** **\*\* Nov. 22, 2022**

(54) **BLACKHEAD REMOVER**

(71) Applicant: **Chong Hu**, Yichun (CN)

(72) Inventor: **Chong Hu**, Yichun (CN)

(73) Assignee: **Chong Hu**, Yichun (CN)

(\*\*) Term: **15 Years**

(21) Appl. No.: **29/808,368**

(22) Filed: **Sep. 18, 2021**

(51) **LOC (13) Cl.** ..... **28-03**

(52) **U.S. Cl.**  
USPC ..... **D24/214**

(58) **Field of Classification Search**

USPC ..... D24/215, 200, 211, 212, 213, 214, 107,  
D24/133, 231, 184, 108, 138, 146, 232,  
D24/176, 177, 209; D4/100, 102;  
D28/58, 57, 7; D10/57; D9/544, 545  
CPC ..... A61H 7/00; A61H 7/001; A61H 7/002;  
A61H 2205/022; A61H 2205/024; A61H  
2205/025; A61H 2205/023; A61B  
2017/00747; A61B 2017/00761

See application file for complete search history.

(56) **References Cited**

**U.S. PATENT DOCUMENTS**

D445,699 S	*	7/2001	Lin	.....	D10/57
D649,636 S	*	11/2011	Bean	.....	D24/133
D723,396 S	*	3/2015	Chen	.....	D10/57
D859,681 S		9/2019	Tang		
D862,721 S	*	10/2019	Friend	.....	D24/214
D909,563 S	*	2/2021	Hou	.....	D24/108
D925,752 S	*	7/2021	Wang	.....	D24/214
D926,332 S		7/2021	Wang		
D942,029 S	*	1/2022	Wang	.....	D24/214
D942,031 S	*	1/2022	Wang	.....	D24/214
D948,738 S	*	4/2022	Zhou	.....	D24/209
D960,382 S	*	8/2022	He	.....	D24/214

2020/0015841	A1*	1/2020	Friend	.....	H02J 7/025
2020/0179220	A1*	6/2020	Jablow	.....	A61H 1/00
2021/0038778	A1*	2/2021	Chen	.....	A61B 90/80

**OTHER PUBLICATIONS**

Unaglam—Pore Vacuum Blackhead Remover. Date: Sep. 4, 2021. [online]. [Site visited Aug. 10, 2022]. Available from Internet URL: <https://www.amazon.com/dp/B09GK7KTDW/> (Year: 2021).\*

CST-Berger—Blackhead Remover Pore Vacuum. Date: Not listed. [online]. [Site visited Aug. 15, 2022]. Available from Internet URL: <https://www.amazon.com/dp/B09WMRPSZV/> (Year: 2022).\*

Beauty instruments. (Design—© Questel) orbit.com. [Online PDF compilation of references] 55 pgs. Print Dates Range Mar. 31, 2020-Jan. 5, 2021 [Retrieved Aug. 15, 2022] <https://www.orbit.com/export/UCZAH96B/pdf4/8fe22a8a-9632-4ddb-8160-e95375b74c43-153729.pdf> (Year: 2022).\*

\* cited by examiner

*Primary Examiner* — Vy N Koenig

*Assistant Examiner* — Landon Thomas Cassell

(74) *Attorney, Agent, or Firm* — Nitin Kaushik

(57) **CLAIM**

The ornamental design for a blackhead remover, as shown and described.

**DESCRIPTION**

FIG. 1 is a perspective view of a blackhead remover showing my new design;

FIG. 2 is another perspective view thereof;

FIG. 3 is a front elevational view thereof;

FIG. 4 is a rear elevational view thereof;

FIG. 5 is a left side elevational view thereof;

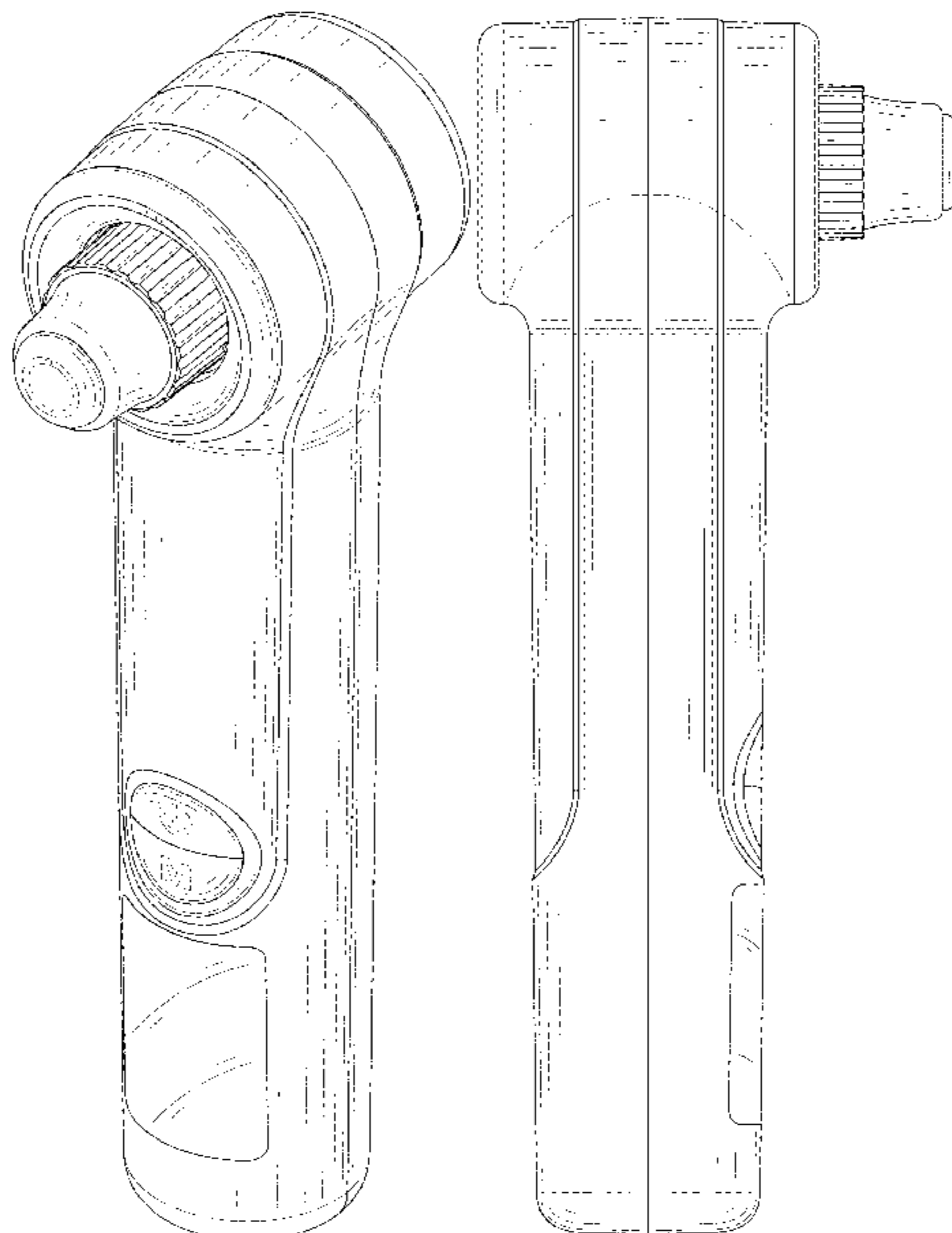
FIG. 6 is a right side elevational view thereof;

FIG. 7 is a top plan view thereof; and,

FIG. 8 is a bottom plan view thereof.

The broken lines in the drawings depict portions of the blackhead remover that form no part of the claimed design.

**1 Claim, 8 Drawing Sheets**



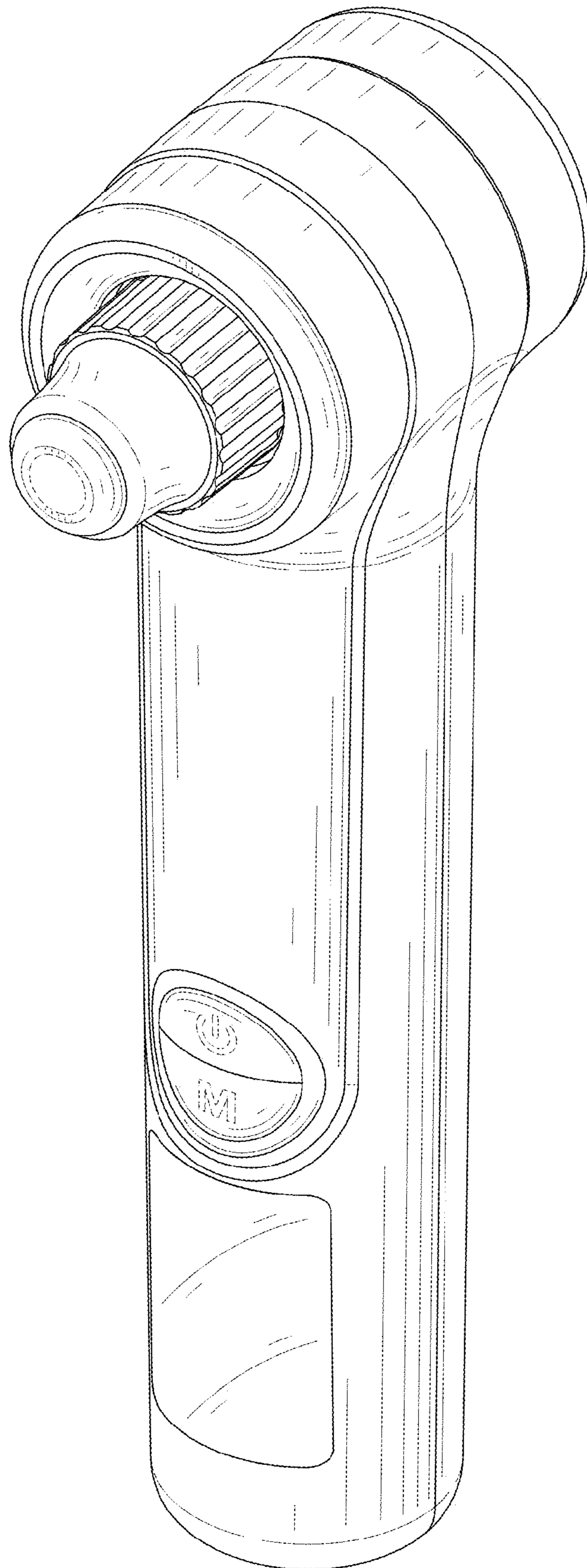


FIG. 1

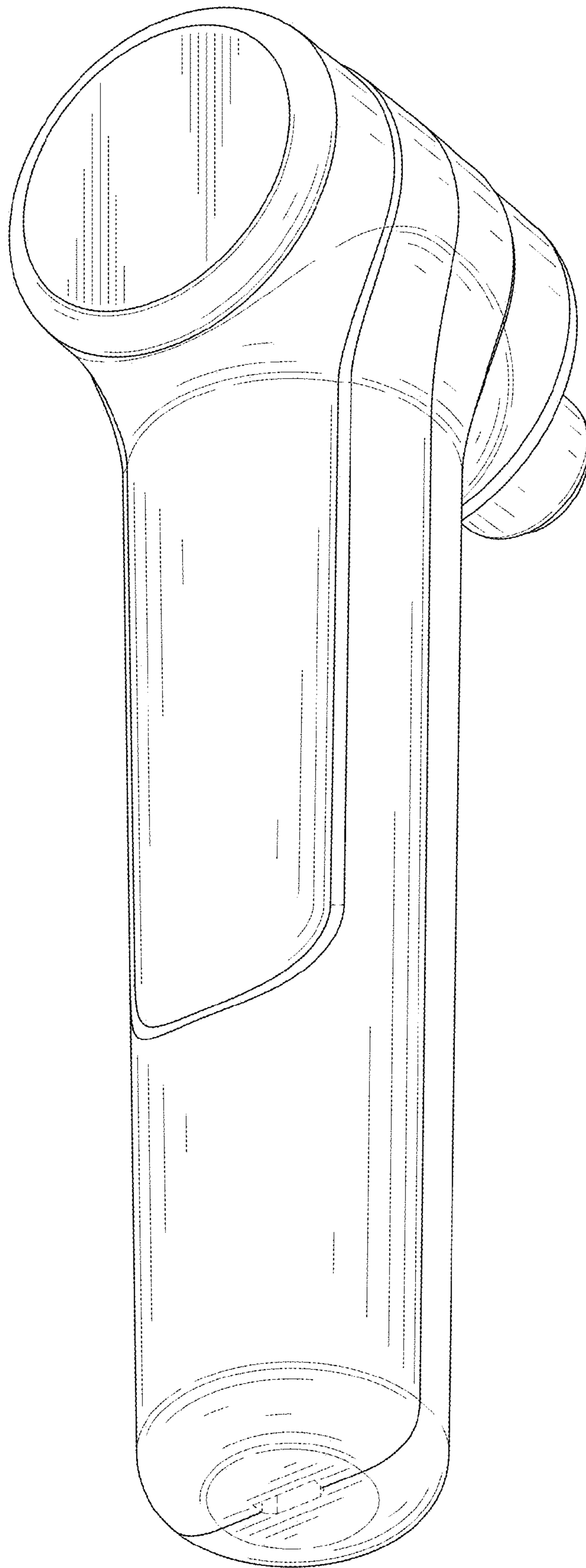


FIG. 2

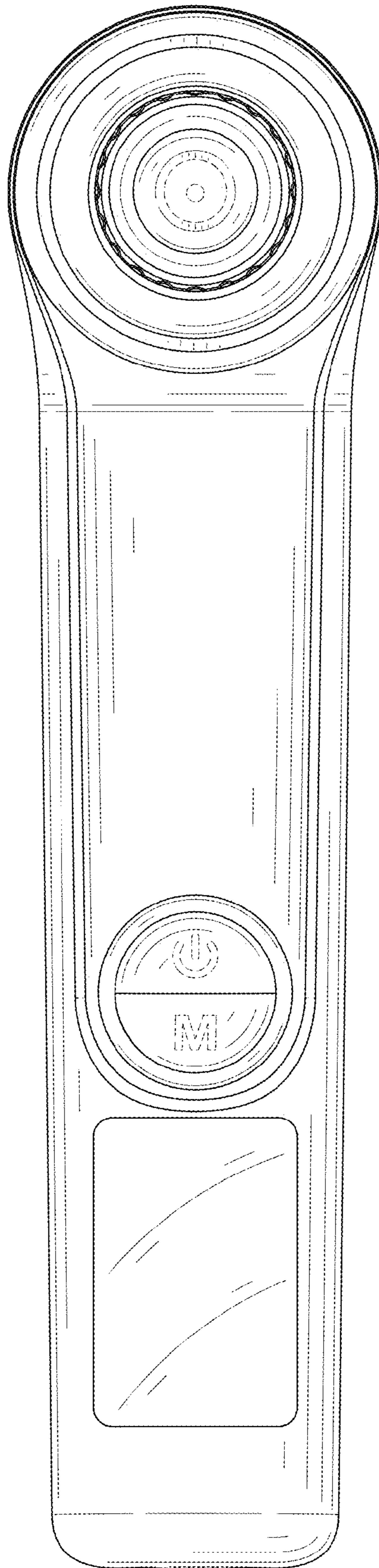


FIG. 3



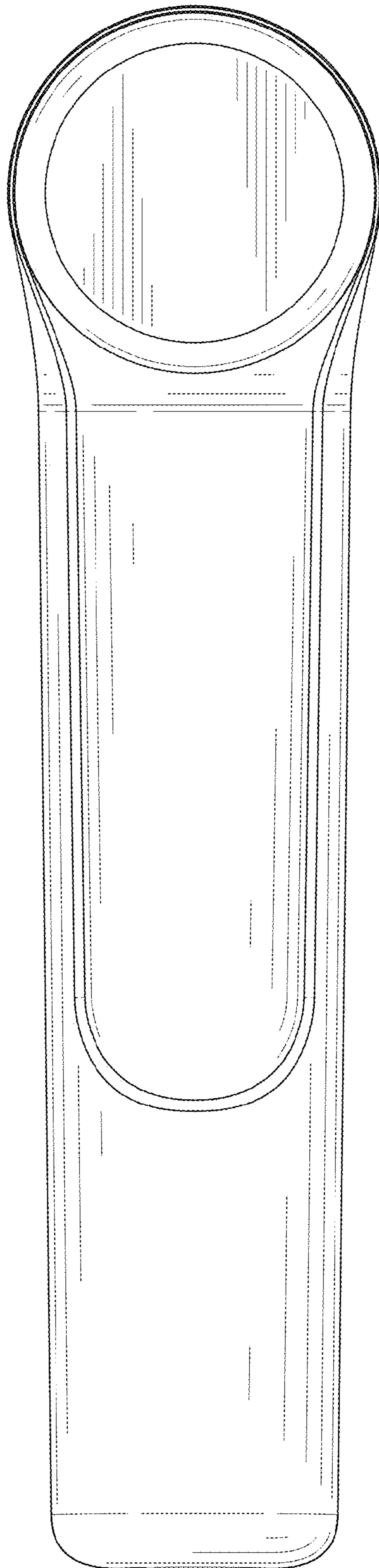


FIG. 4

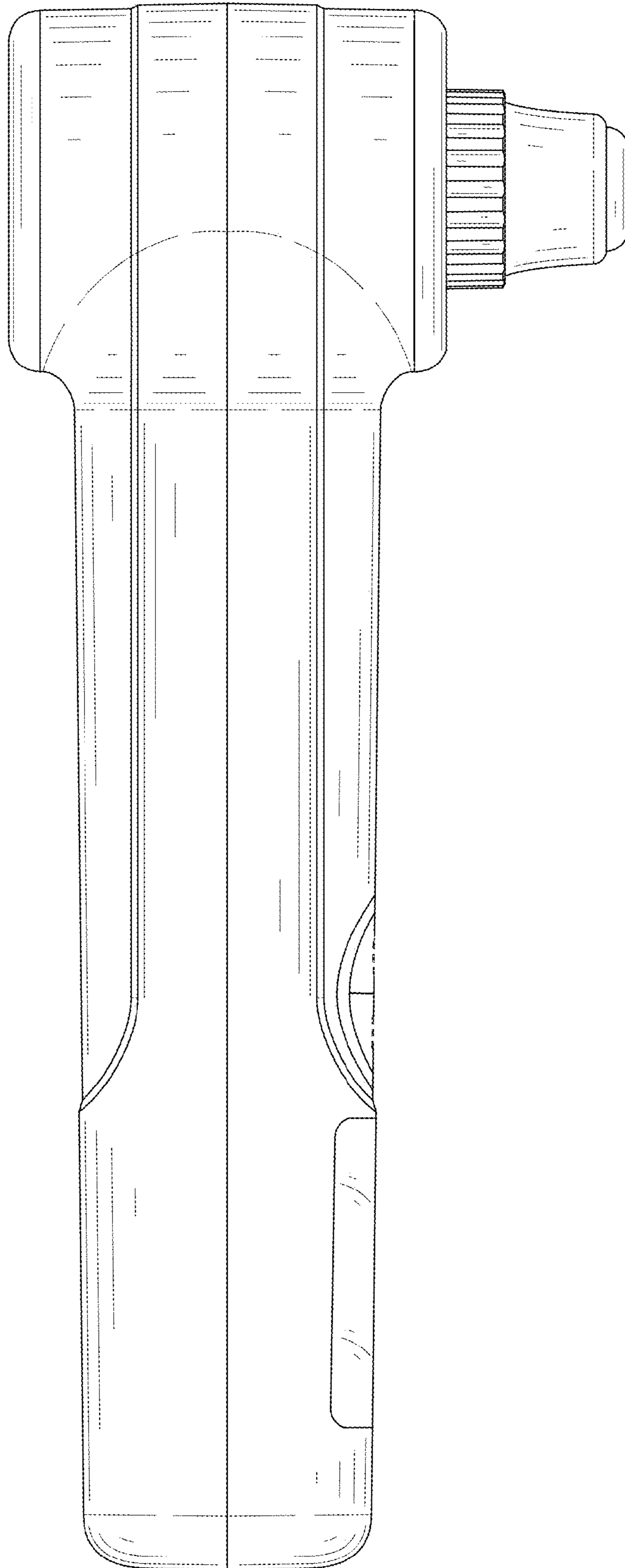


FIG. 5

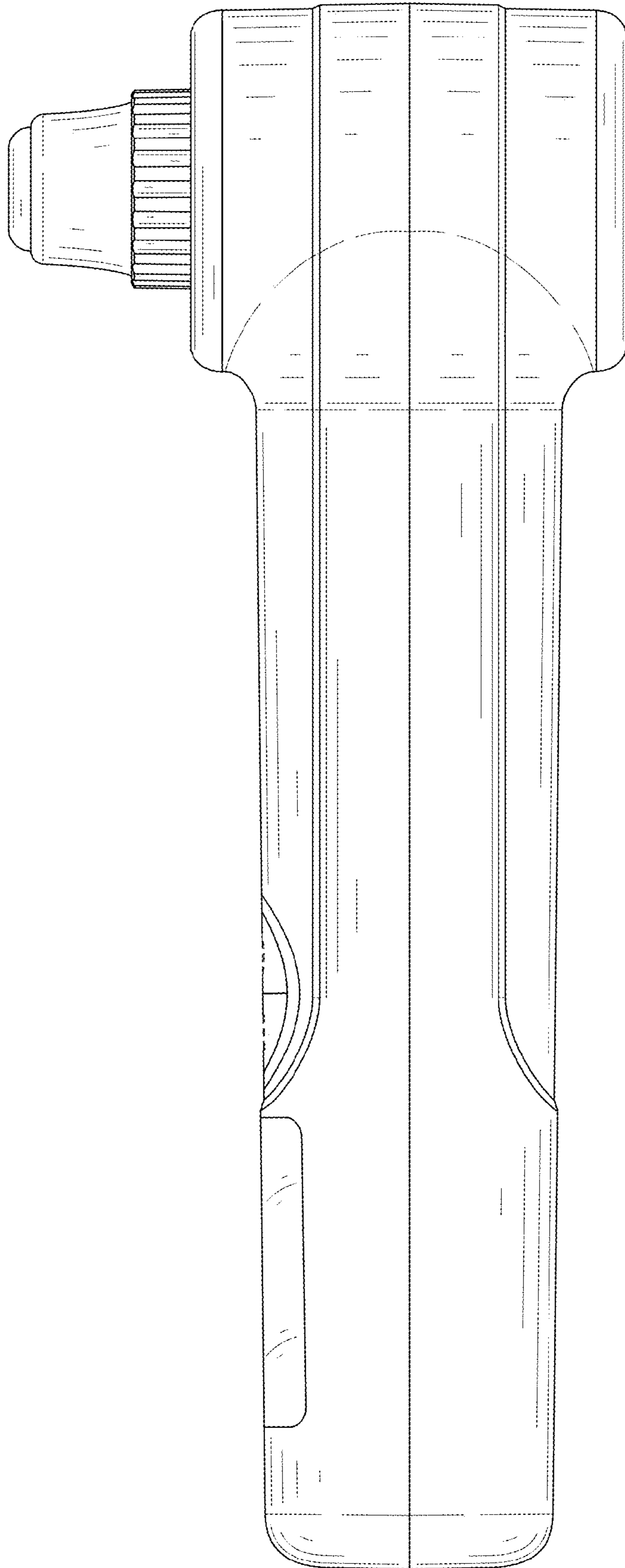


FIG. 6

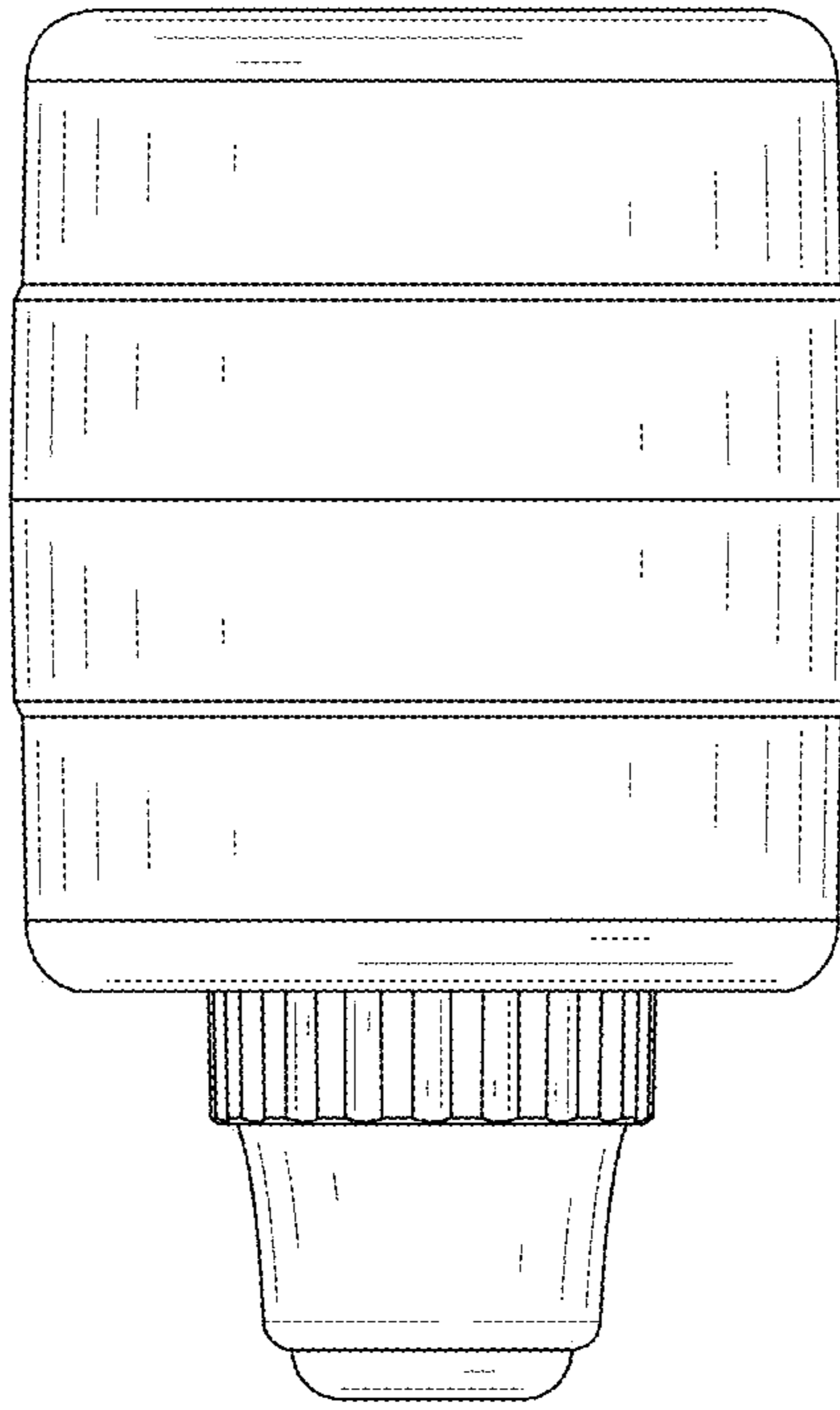


FIG. 7



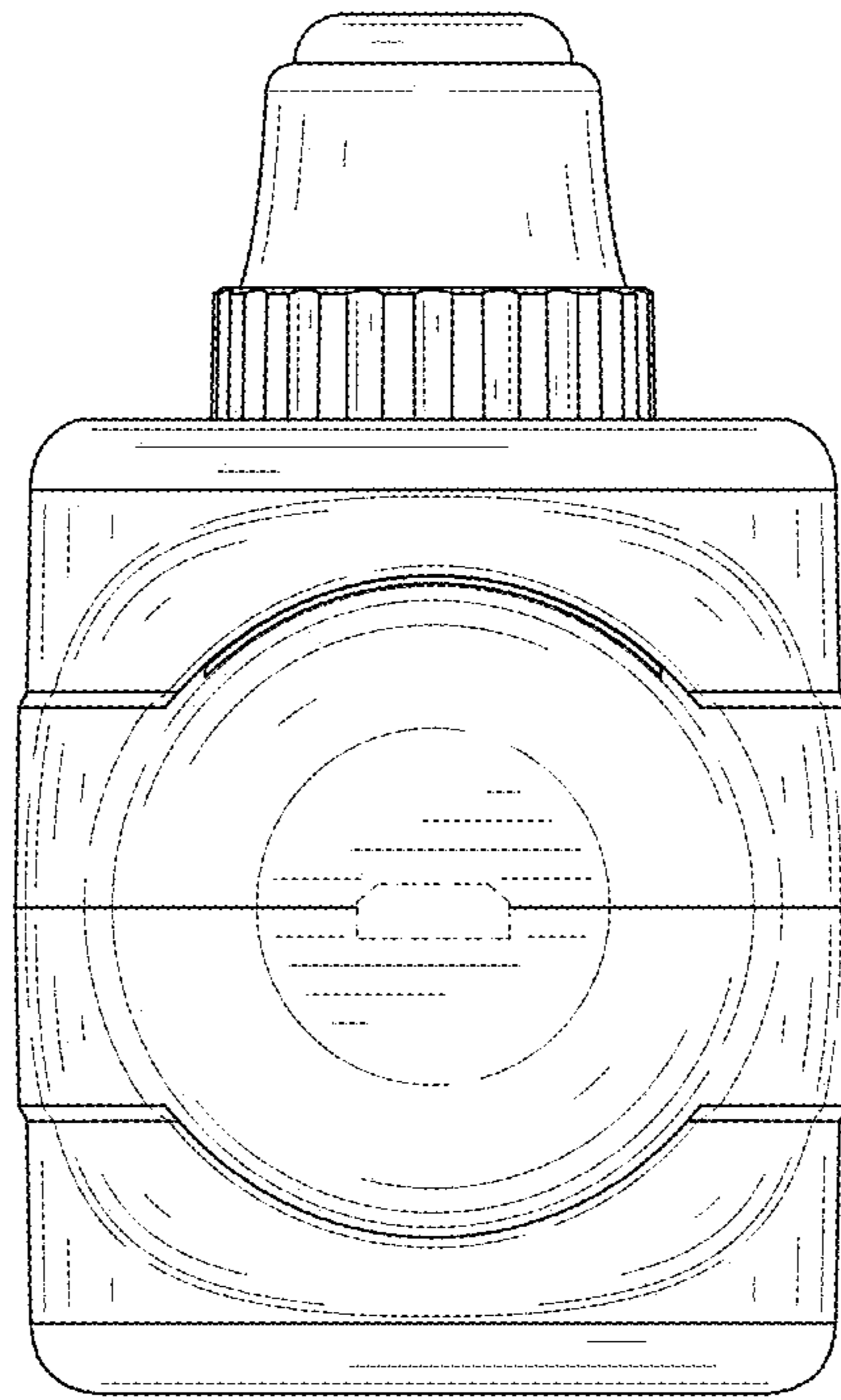


FIG. 8