



US00D970741S

(12) **United States Design Patent** (10) **Patent No.:** **US D970,741 S**
Holmberg et al. (45) **Date of Patent:** **** Nov. 22, 2022**

(54) **VENTED TIP**

D902,481 S * 11/2020 Floyd D28/7
D914,288 S * 3/2021 Thalmann D24/209
2015/0209108 A1 7/2015 Kim

(71) Applicants: **Randy Holmberg**, Bothell, WA (US);
Craig Bockenstedt, Bothell, WA (US);
Jonathan Pittsford, Everett, WA (US)

FOREIGN PATENT DOCUMENTS

(72) Inventors: **Randy Holmberg**, Bothell, WA (US);
Craig Bockenstedt, Bothell, WA (US);
Jonathan Pittsford, Everett, WA (US)

CN 305218874 6/2019
DE 10041855 A1 9/2002
JP D1602282 4/2018
WO WO 2015/052929 4/2015
WO WO 2015/098427 7/2015

(73) Assignee: **BAUSCH HEALTH IRELAND LIMITED**, Dublin (IE)

OTHER PUBLICATIONS

(**) Term: **15 Years**

Search Report for Design Patent Application TW No. 110303239 dated Dec. 21, 2021.

(21) Appl. No.: **29/763,116**

* cited by examiner

(22) Filed: **Dec. 21, 2020**

(51) **LOC (13) Cl.** **28-03**

(52) **U.S. Cl.**

USPC **D24/209**

(58) **Field of Classification Search**

USPC D28/7, 9, 10, 44-49, 51-54, 99;
D24/107, 133, 200, 206, 209, 211, 214
CPC B26B 19/00; B26B 19/02; B26B 19/04;
B26B 19/06; B26B 19/10; B26B 19/20;
B26B 19/22; B26B 19/38; B26B 19/3806;
B26B 21/00; B26B 21/22; B26B 21/40;
B26B 21/4012; B26B 21/4018; A61H
2039/005; A45D 2200/1054; A45D 44/22;
A61B 18/12; A61B 18/14

See application file for complete search history.

Primary Examiner — Jennifer Rivard
Assistant Examiner — Alison M Ofstun
(74) *Attorney, Agent, or Firm* — Finnegan, Henderson,
Farabow, Garrett & Dunner, LLP

(57) **CLAIM**

The ornamental design for a vented tip, as shown and described.

DESCRIPTION

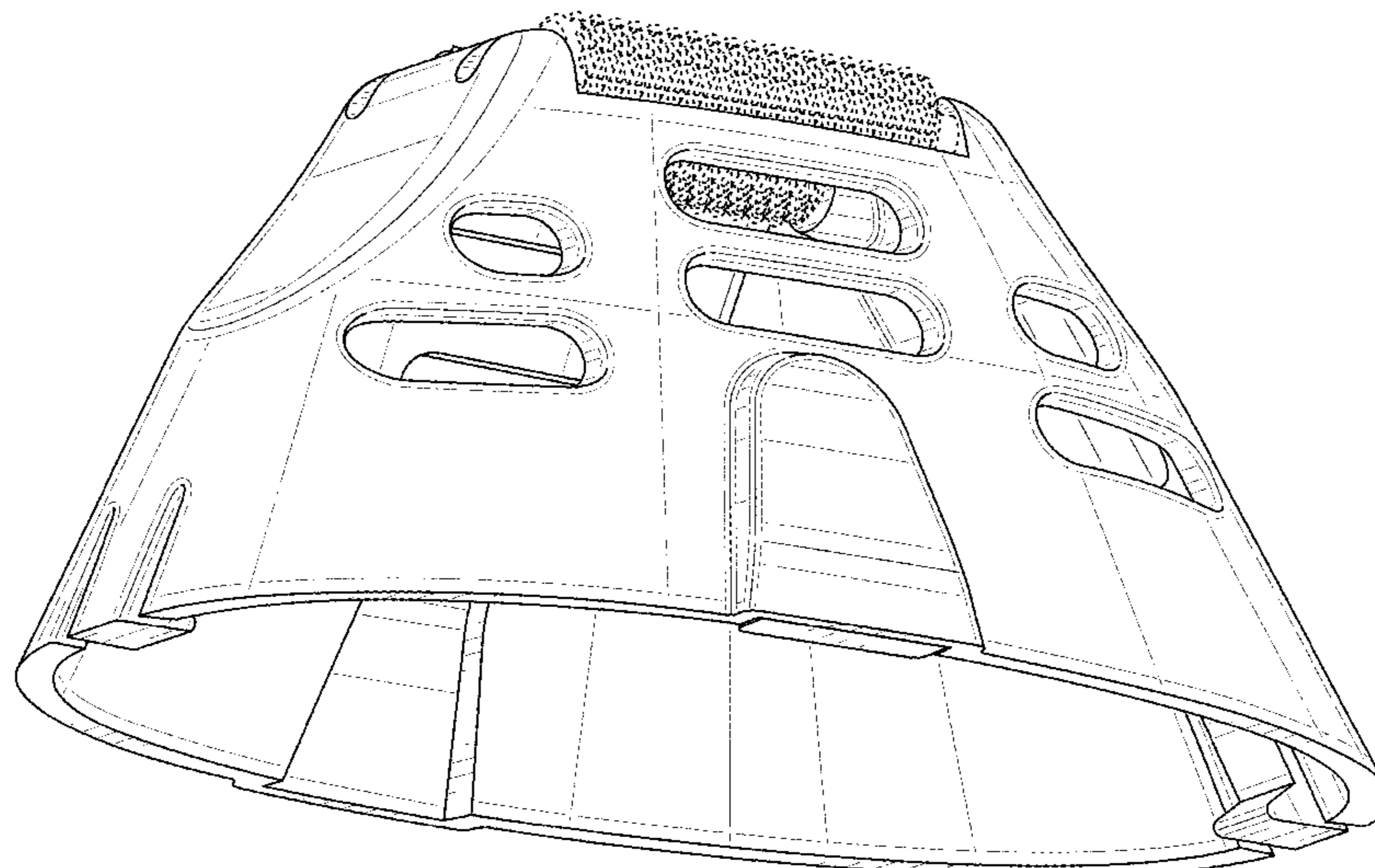
FIG. 1 is a front left bottom perspective view of a vented tip showing the new design;
FIG. 2 is a top, front, right perspective view thereof;
FIG. 3 is a left side view thereof;
FIG. 4 is a right side view thereof;
FIG. 5 is front view thereof;
FIG. 6 is a back view thereof;
FIG. 7 is a bottom plan view thereof; and,
FIG. 8 is a top plan view thereof.
The even-length broken lines shown in the drawings illustrate portions of the vented tip that form no part of the claimed design.

(56) **References Cited**

U.S. PATENT DOCUMENTS

D608,888 S * 1/2010 Braynin D24/107
D632,434 S * 2/2011 Maguire D28/51
D674,143 S * 1/2013 Ino D28/51
D674,554 S * 1/2013 Ino D28/51
D674,555 S * 1/2013 Ino D28/51
D695,903 S * 12/2013 Tamsiran D24/209
D750,772 S * 3/2016 Rabe D24/127
D897,109 S 9/2020 Blank

1 Claim, 8 Drawing Sheets



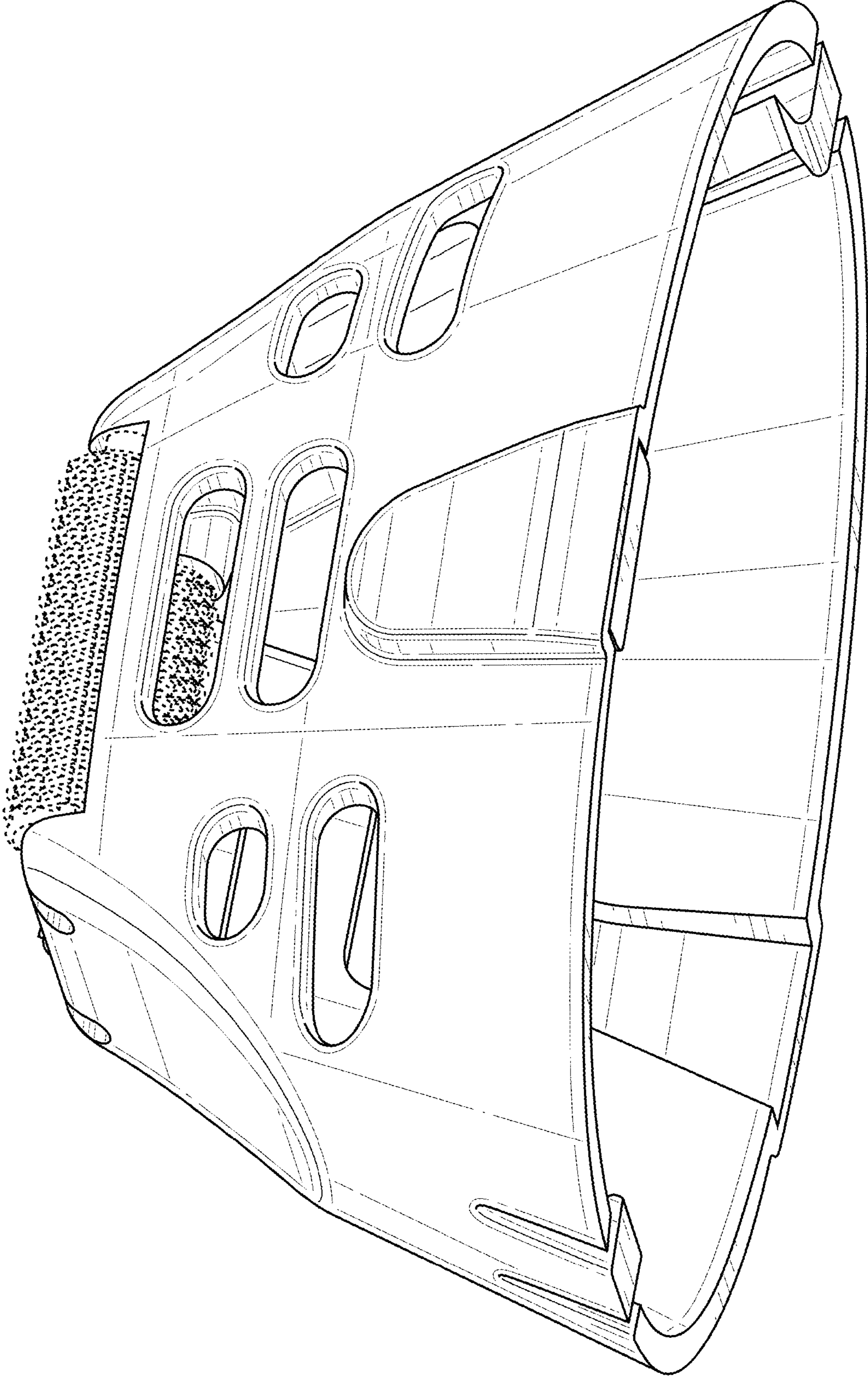


FIG. 1

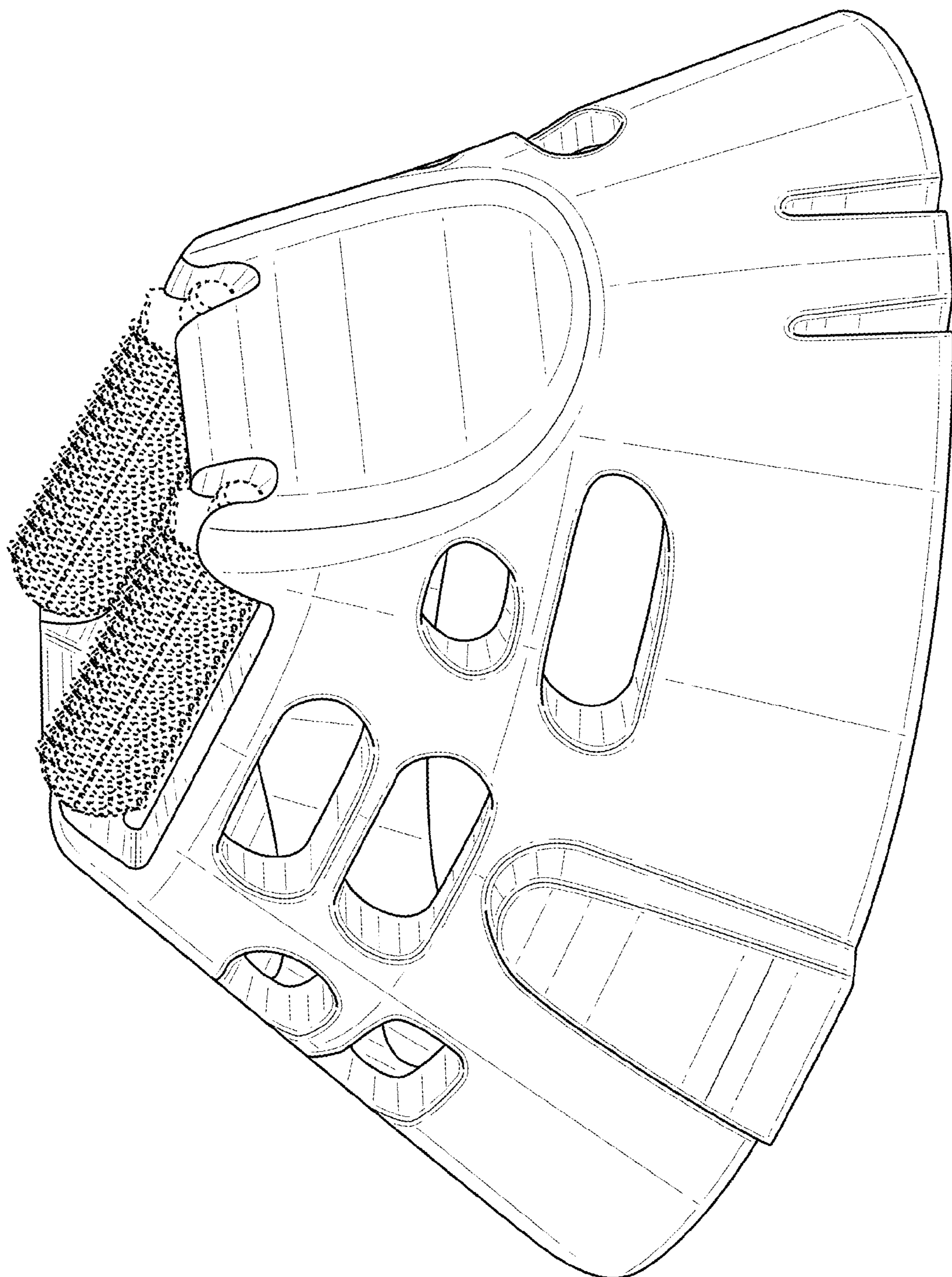


FIG. 2

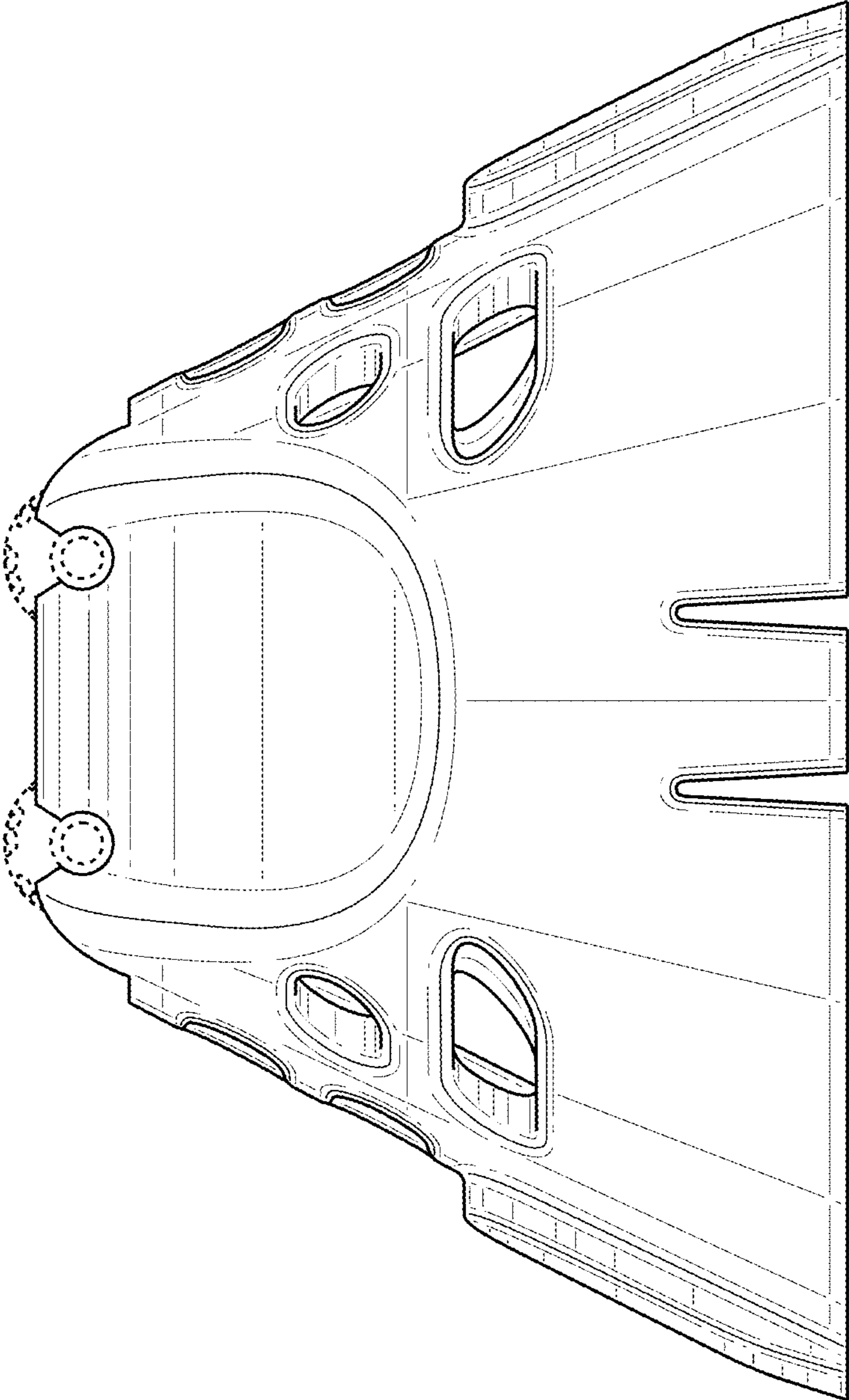


FIG. 3

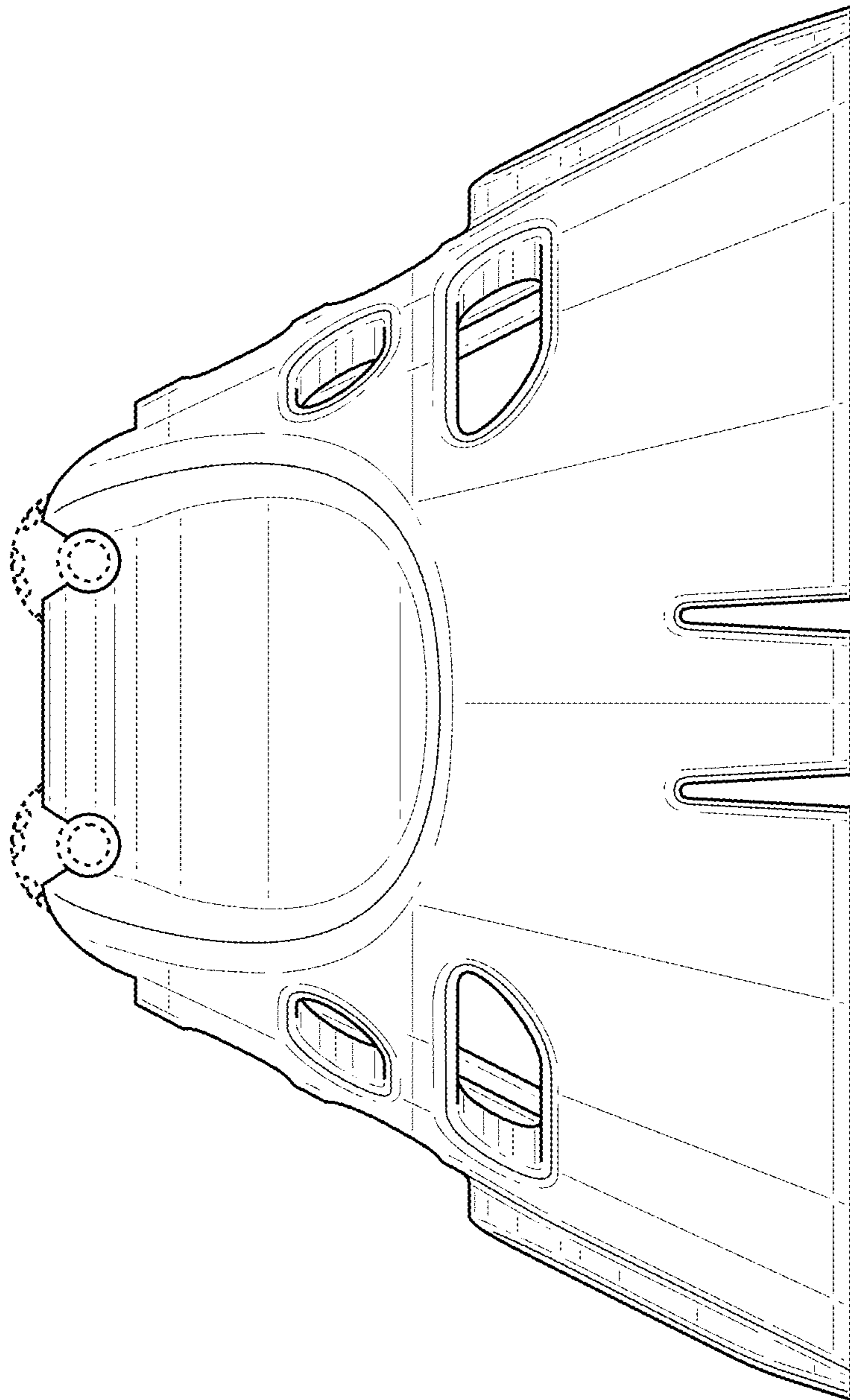


FIG. 4

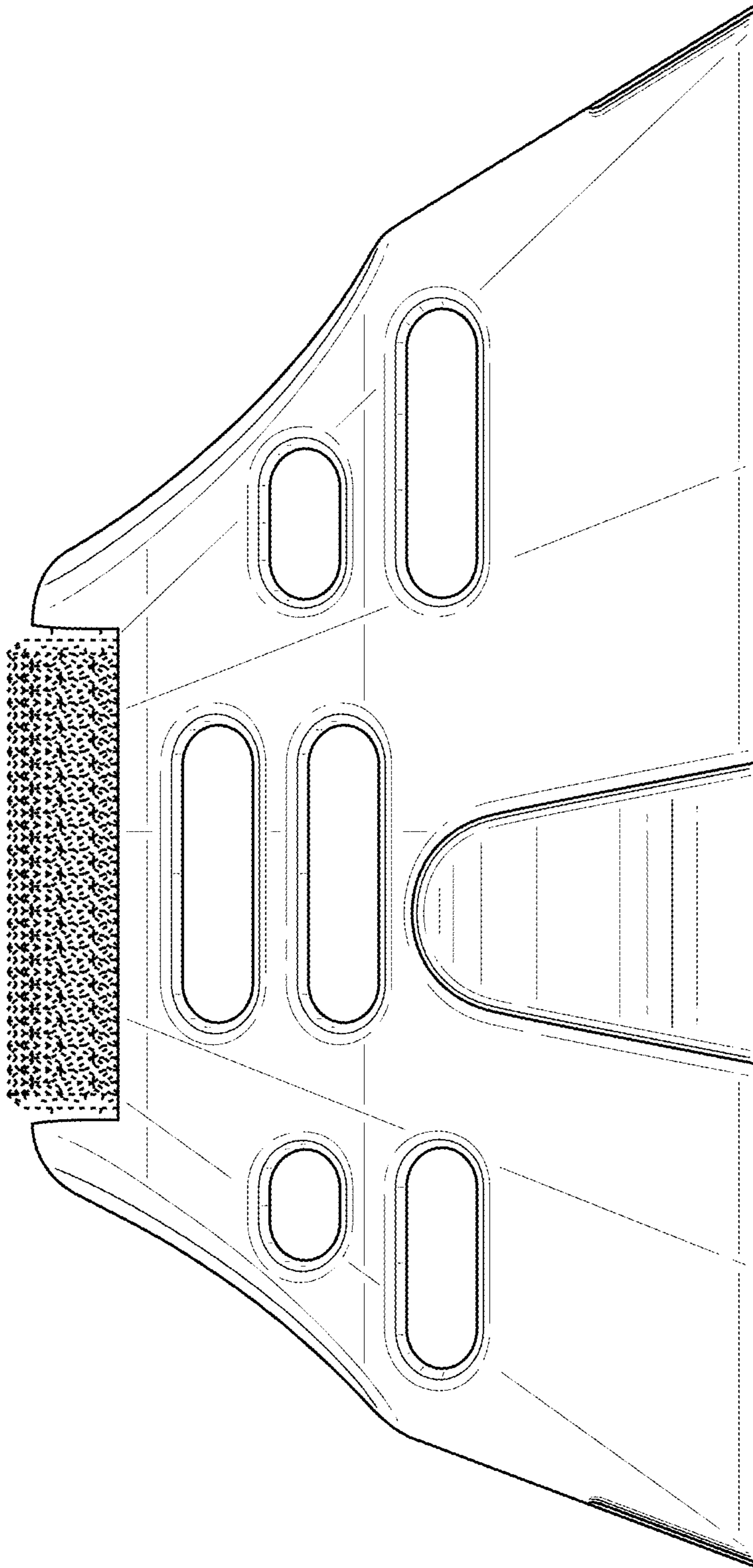


FIG. 5

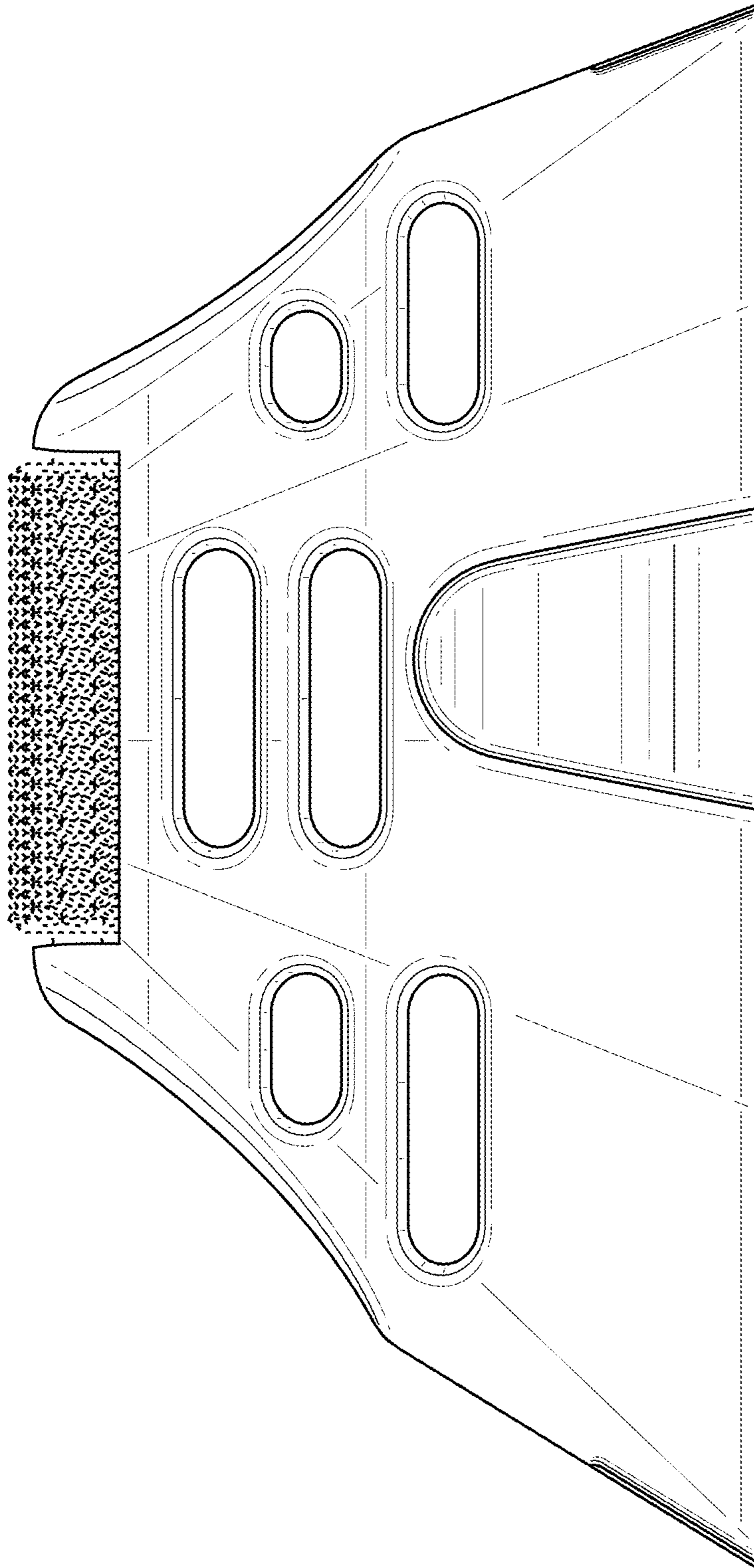


FIG. 6

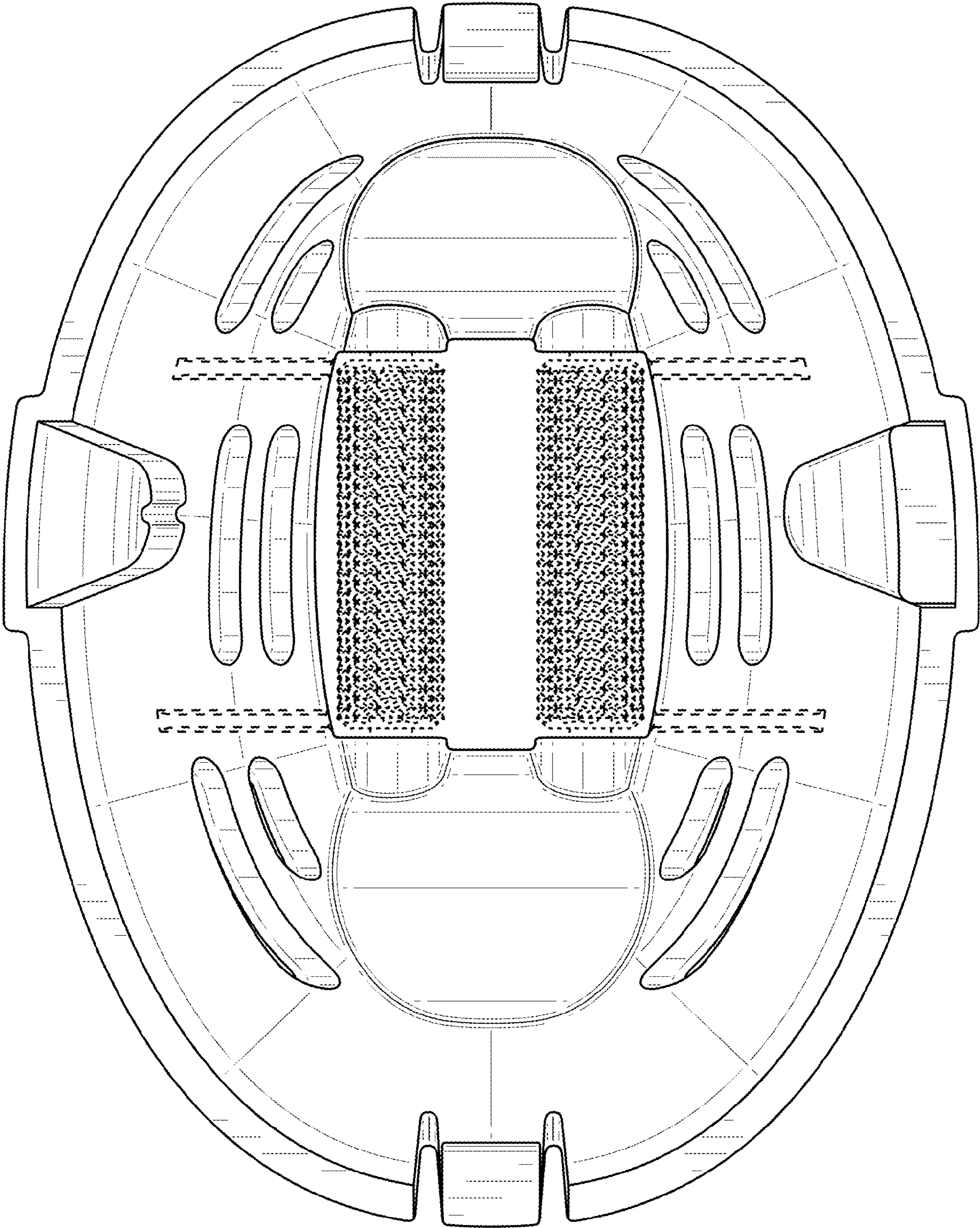


FIG. 7

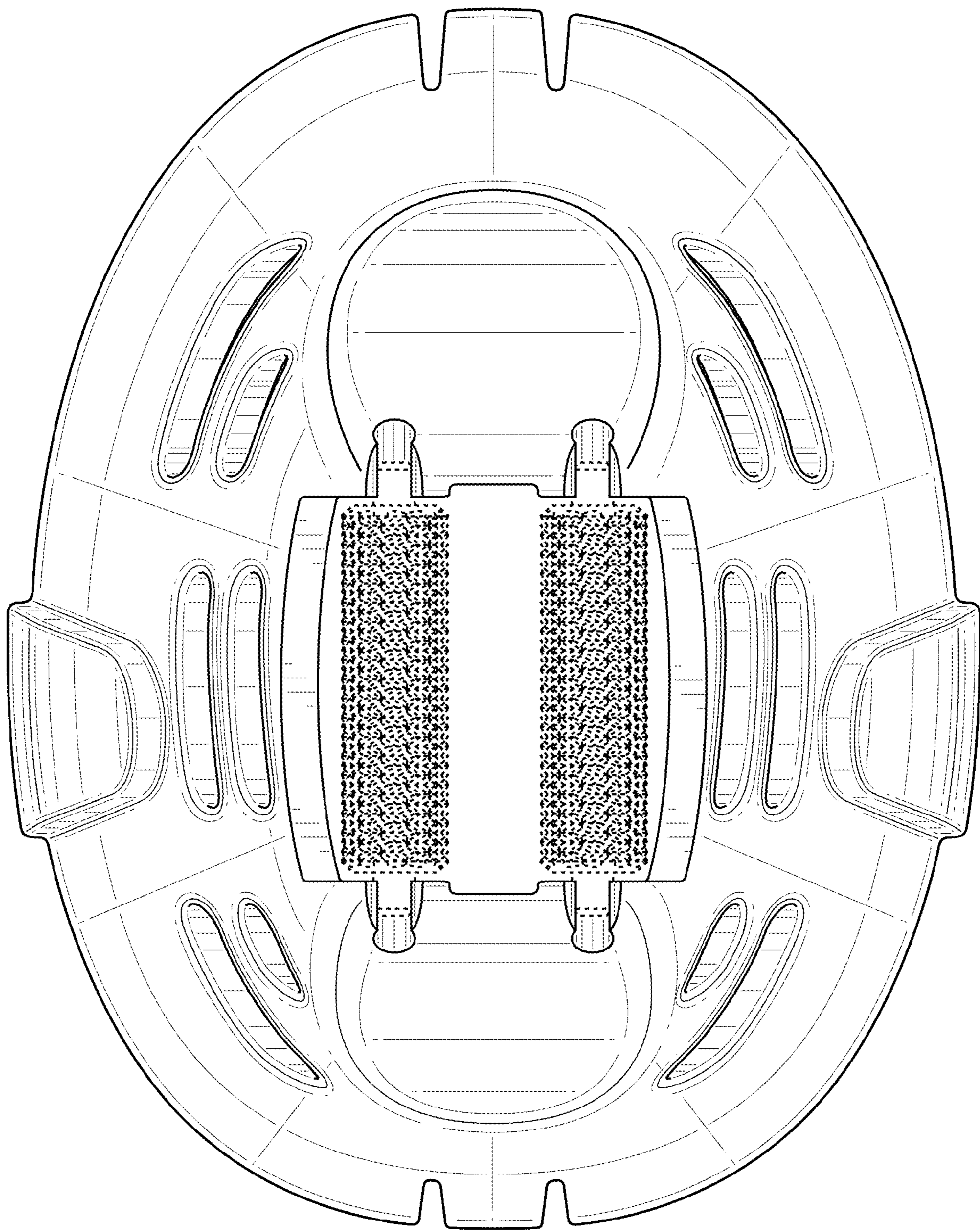


FIG. 8