



US00D970738S

(12) **United States Design Patent** (10) **Patent No.:** **US D970,738 S**
Pan (45) **Date of Patent:** **** Nov. 22, 2022**

- (54) **SHOE**
- (71) Applicant: **Shaojun Pan**, Guangdong (CN)
- (72) Inventor: **Shaojun Pan**, Guangdong (CN)
- (**) Term: **15 Years**
- (21) Appl. No.: **29/830,668**
- (22) Filed: **Mar. 14, 2022**
- (51) **LOC (13) Cl.** **24-04**
- (52) **U.S. Cl.**
USPC **D24/192**
- (58) **Field of Classification Search**
USPC D2/896, 909, 910, 911; D24/192;
D29/121.2
CPC A61F 5/0111; A61F 5/0195; A61F 5/0127;
A61F 5/01; A61F 5/0102
See application file for complete search history.

D945,142 S 3/2022 Hernandez Garcilazo
 2006/0217649 A1* 9/2006 Rabe A61F 5/0111
 602/65
 2007/0293798 A1* 12/2007 Hu A61F 5/0195
 602/27
 2014/0128789 A1* 5/2014 Chen A61F 5/0195
 602/23

* cited by examiner

Primary Examiner — Jennifer L Watkins

(74) *Attorney, Agent, or Firm* — True Shepherd, LLC;
Andrew Cheng

(57) **CLAIM**

The ornamental design for a shoe, as shown and described.

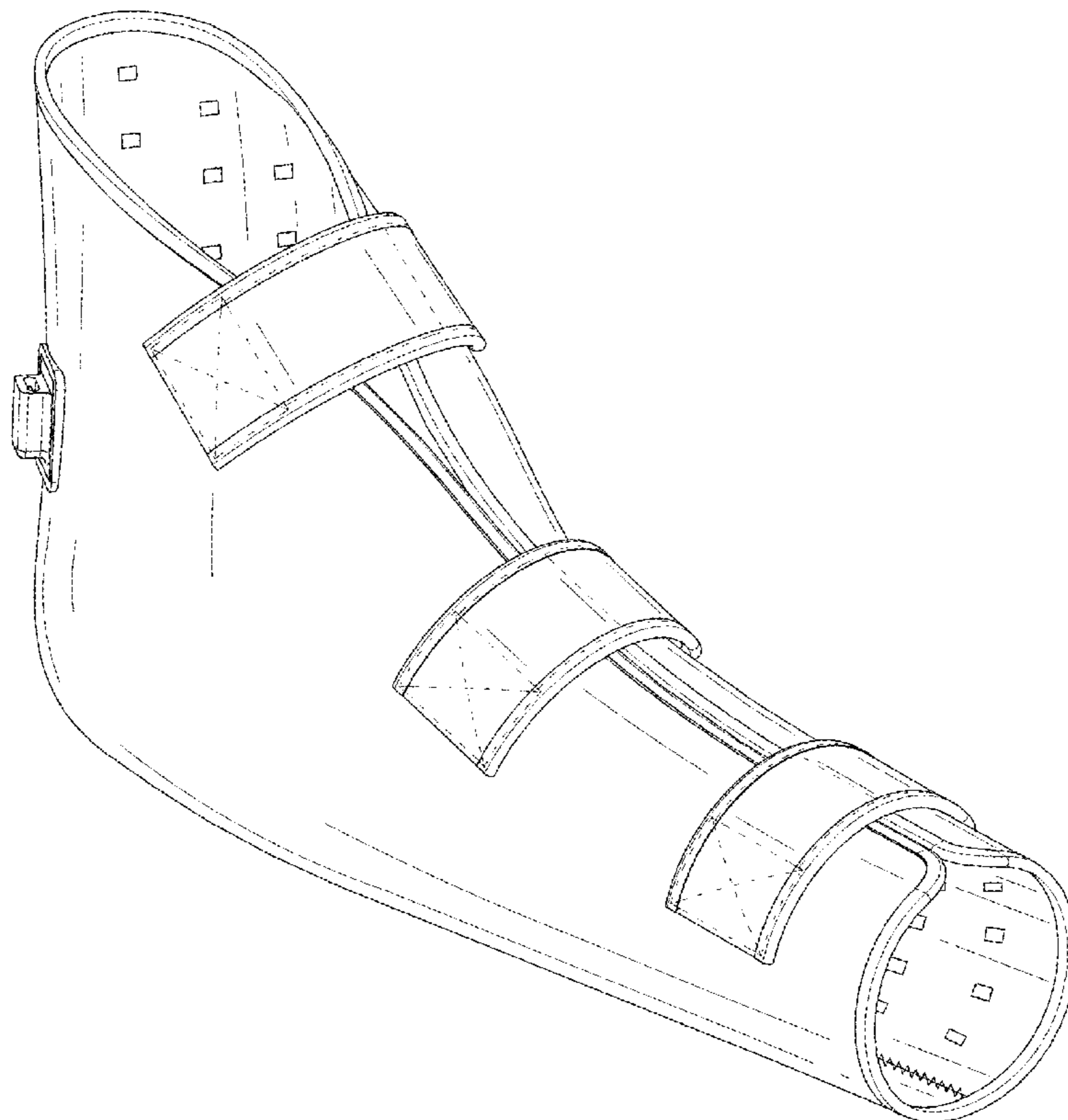
DESCRIPTION

FIG. 1 is a front, left and top perspective view of a shoe, showing my design.
 FIG. 2 is a front elevation view thereof.
 FIG. 3 is a rear elevation view thereof.
 FIG. 4 is a left side elevation view thereof.
 FIG. 5 is a right side elevation view thereof.
 FIG. 6 is a top plan view thereof.
 FIG. 7 is a bottom plan view thereof; and,
 FIG. 8 is another front, left and top perspective view of a shoe of FIG. 1 in an unfolding status.
 The dotted lines shown in FIGS. 1-2, 4-6, and 8 are in fact the sewing lines and form part of the invention.

(56) **References Cited**
U.S. PATENT DOCUMENTS

D270,001 S *	8/1983	Felton	D24/192
5,429,588 A *	7/1995	Young	A61F 5/0127 602/10
D395,514 S *	6/1998	Stano	D24/192
D434,504 S *	11/2000	Miller	D24/192
D530,016 S *	10/2006	Sroufe	D24/192
D553,251 S *	10/2007	Watts	D24/192
D700,404 S *	2/2014	Niefer	D29/121.2
D784,548 S *	4/2017	Benenati	D24/192
D945,135 S	3/2022	Petrie	

1 Claim, 8 Drawing Sheets



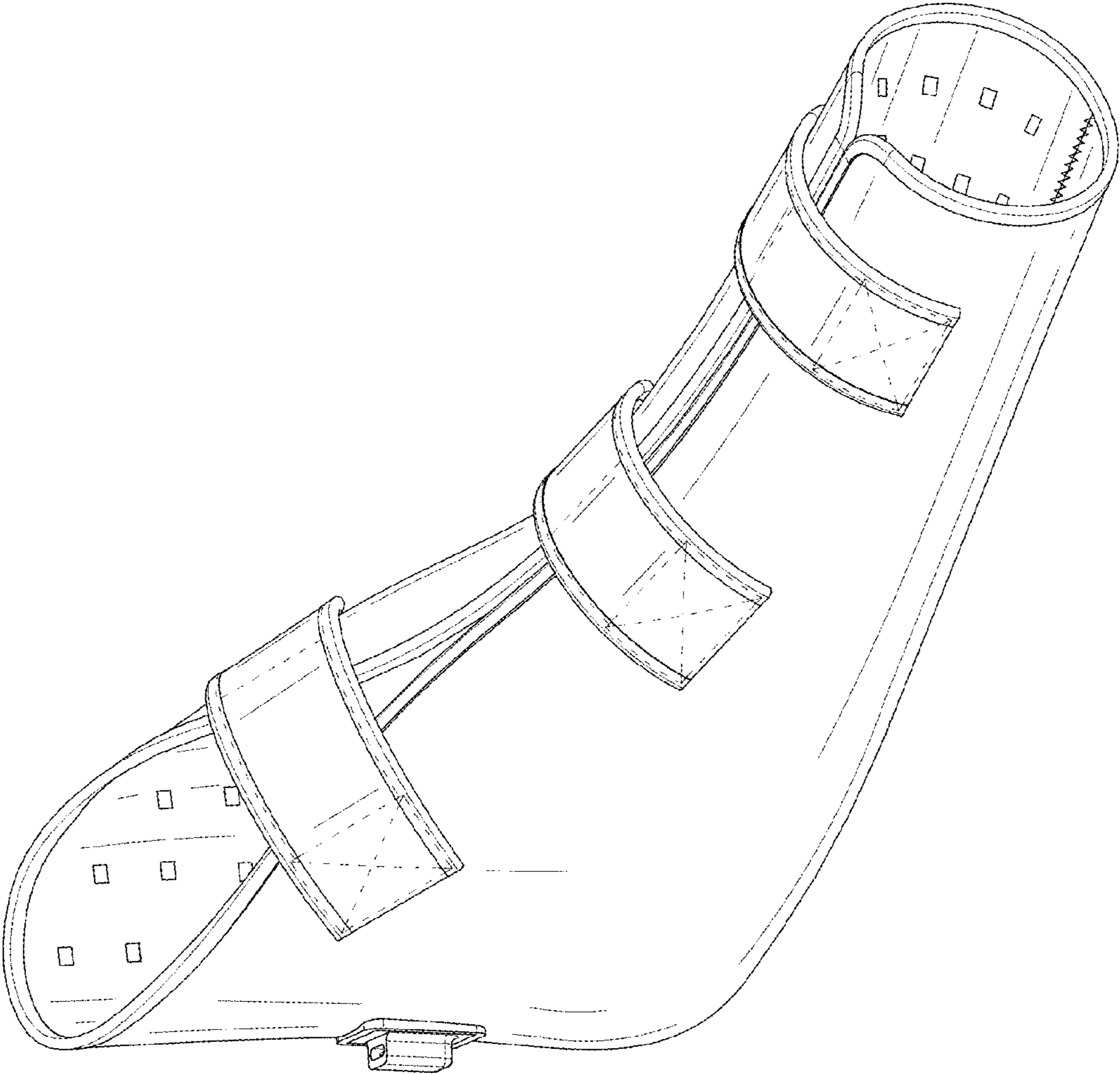


FIG.1

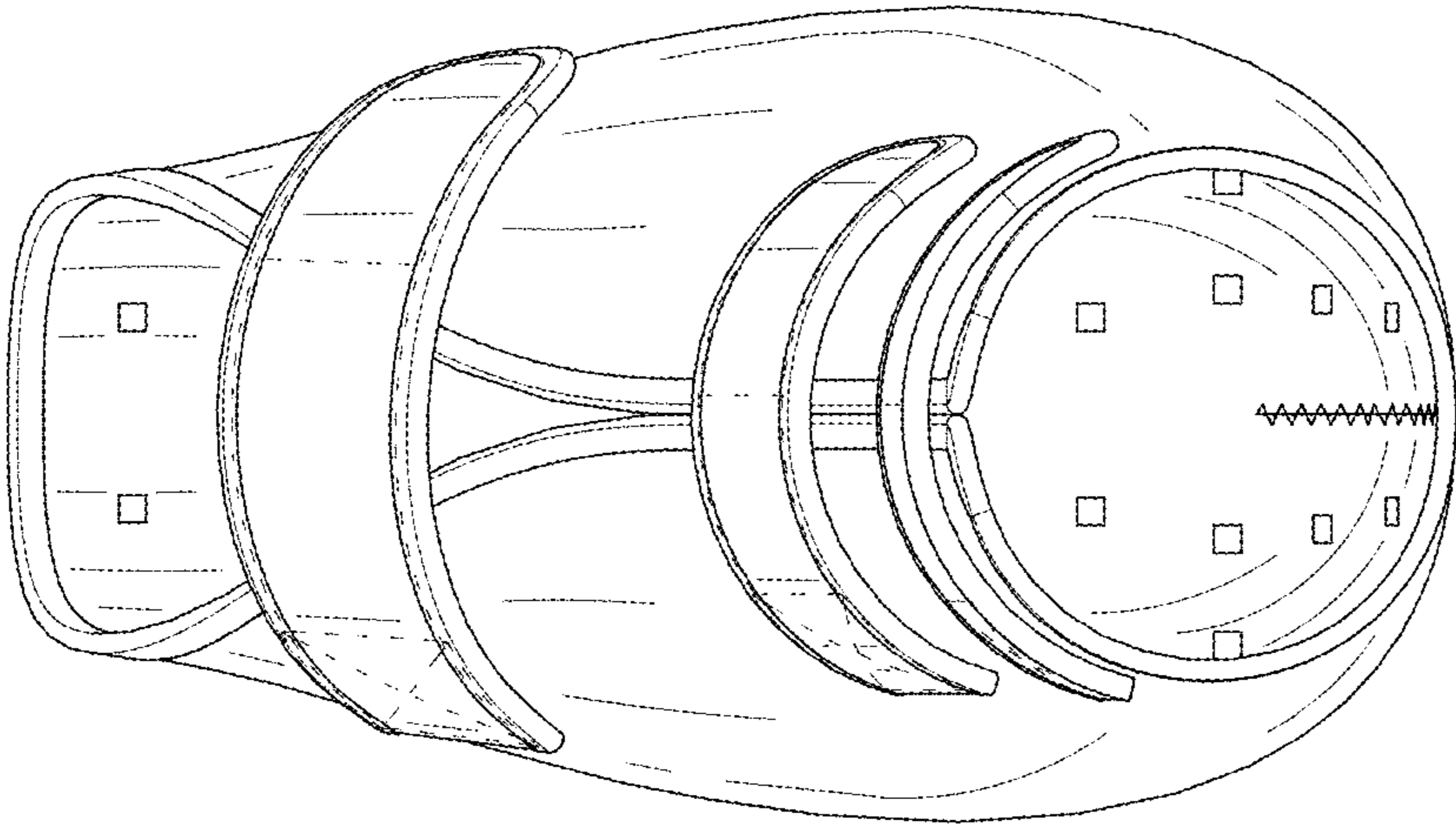


FIG. 2

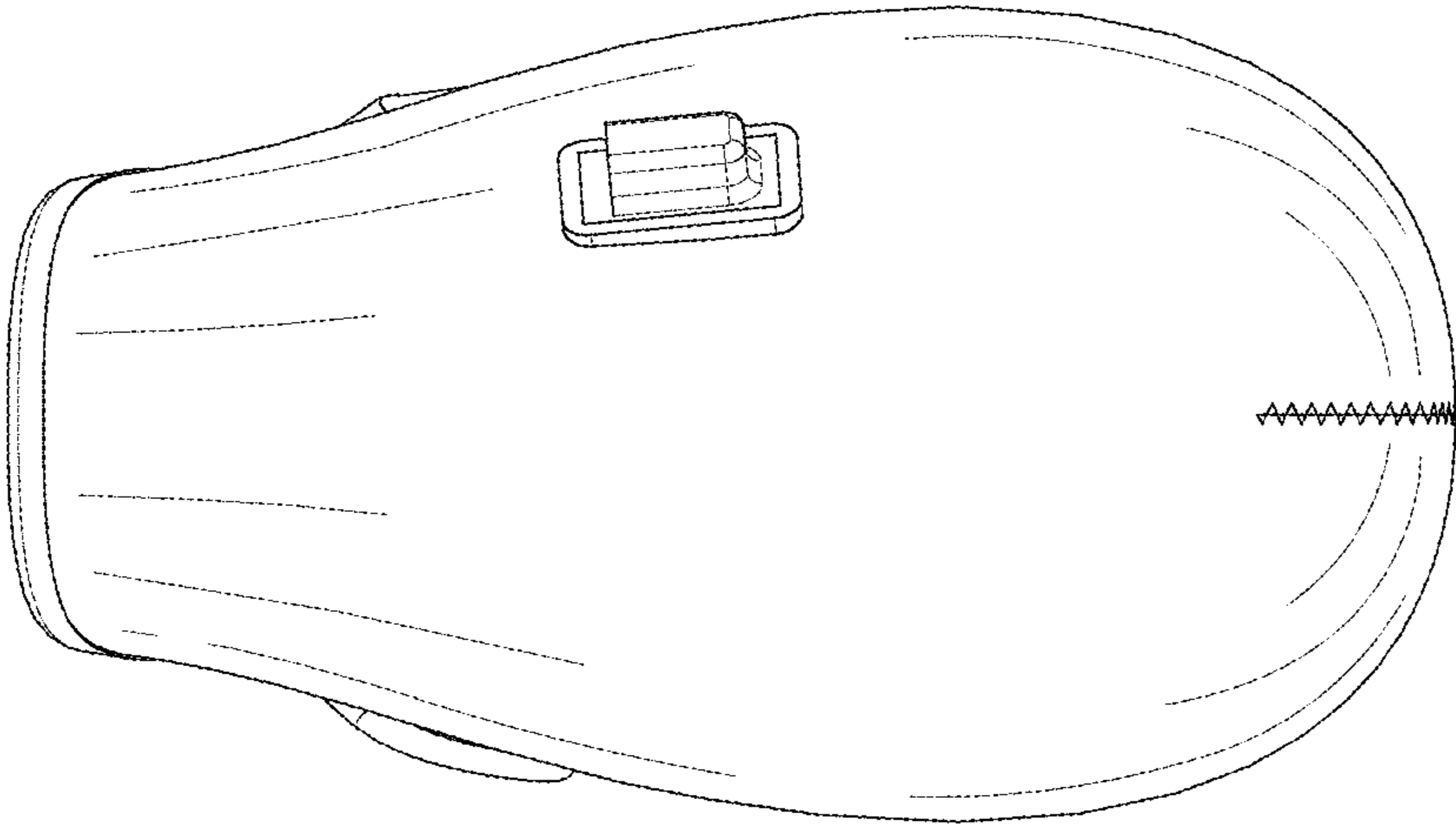


FIG. 3

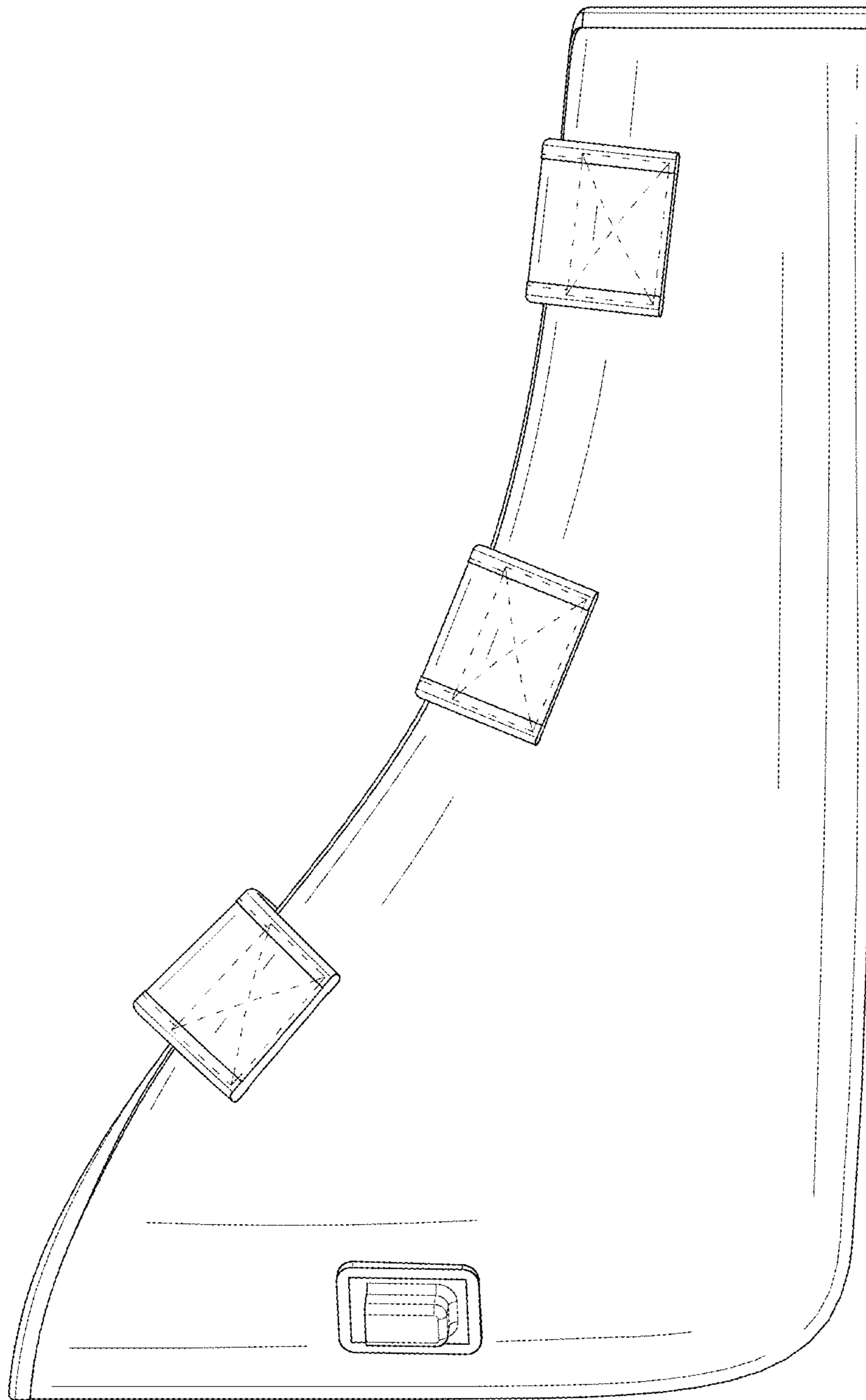


FIG. 4

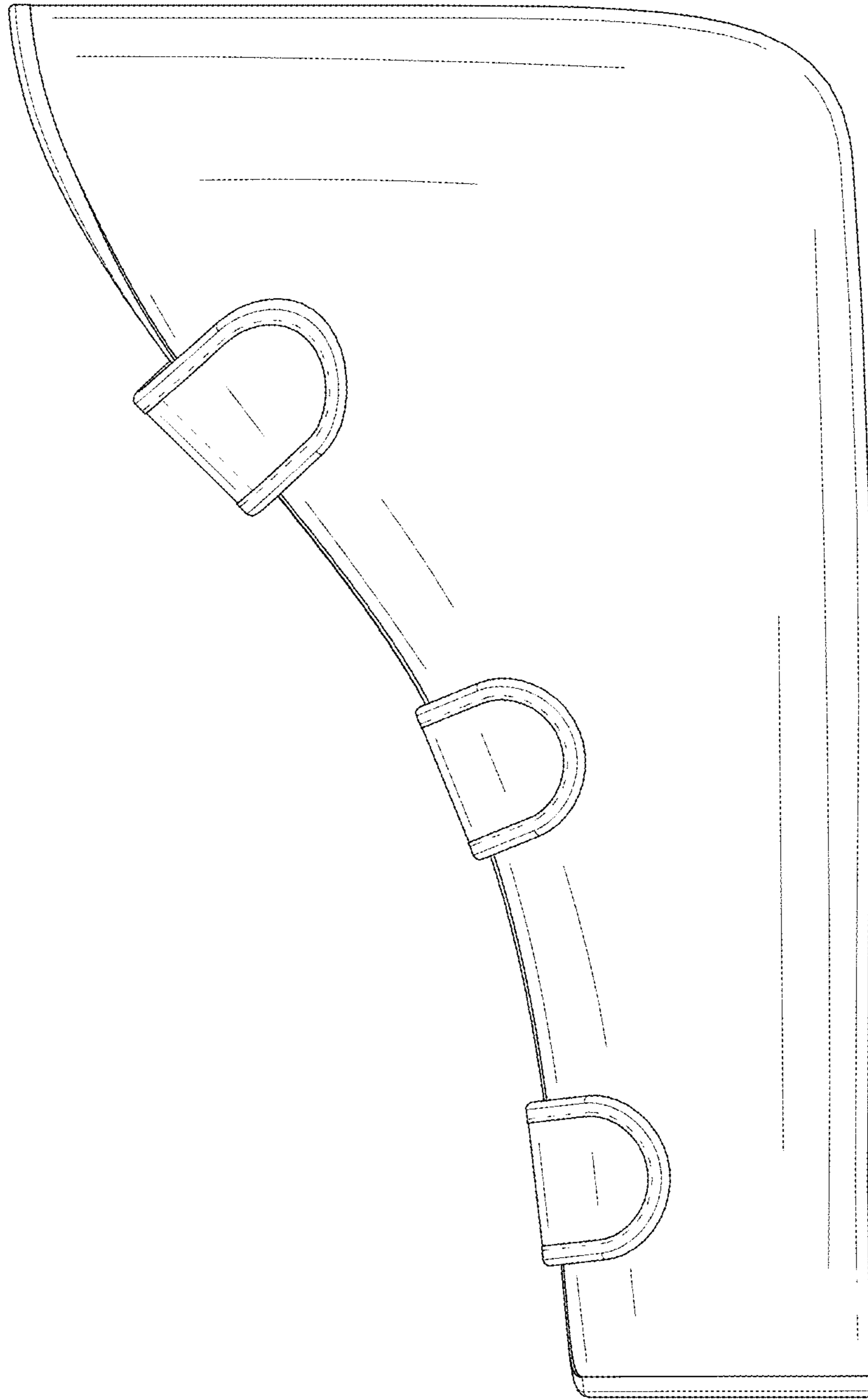


FIG. 5

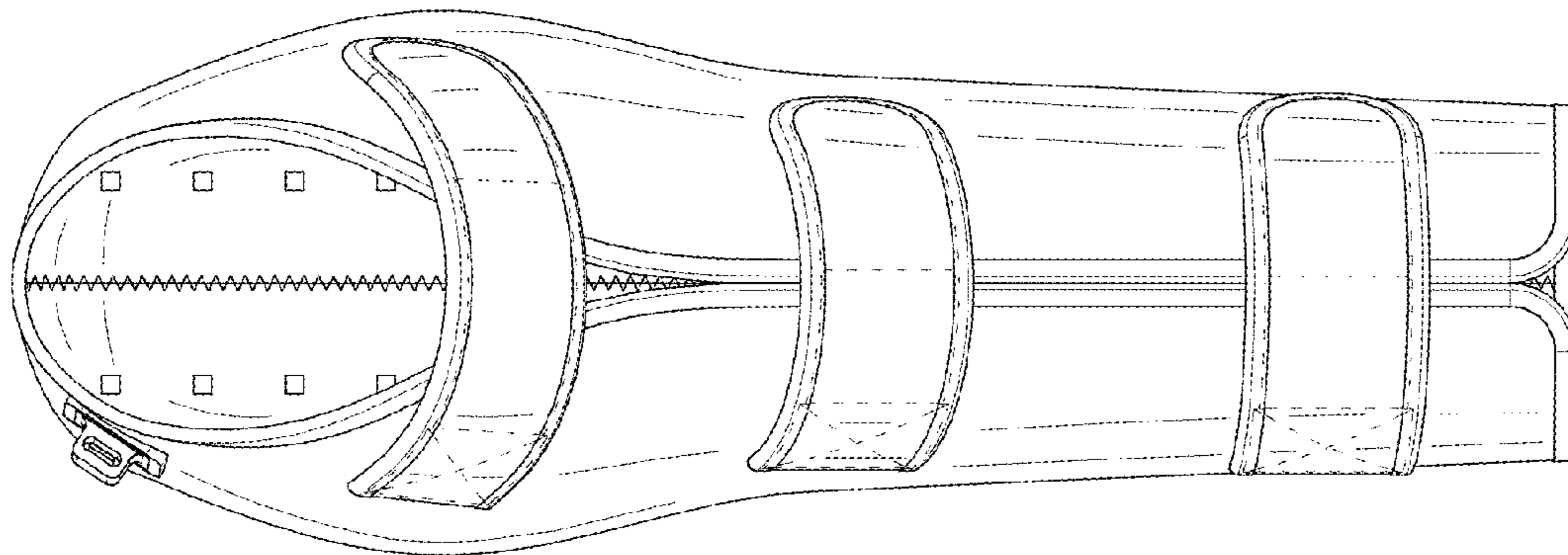


FIG. 6

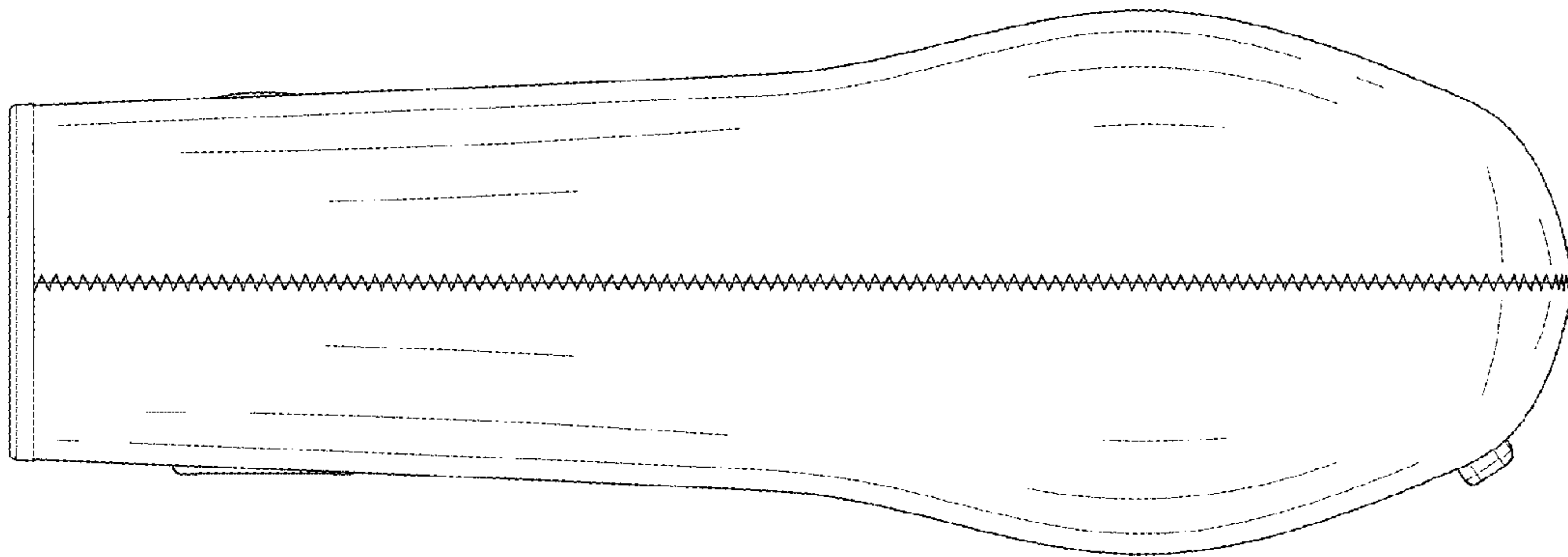


FIG. 7

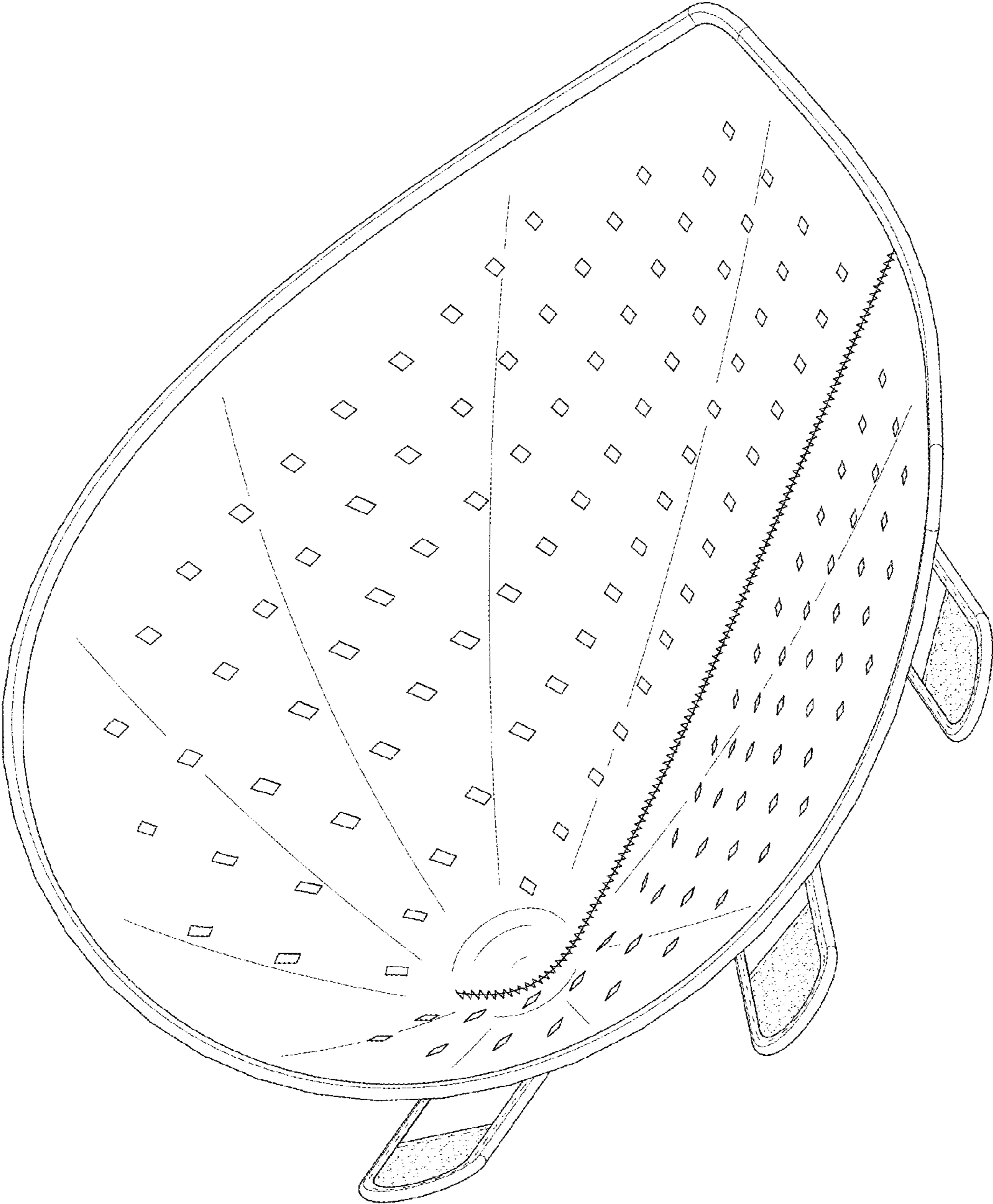


FIG.8