



US00D970737S

(12) **United States Design Patent** (10) **Patent No.:** **US D970,737 S**
Hoole (45) **Date of Patent:** **** Nov. 22, 2022**

(54) **SURGICAL SLING**
(71) Applicant: **Radial Cradle Limited**, Cambridge (GB)
(72) Inventor: **Stephen Hoole**, Cambridge (GB)
(**) Term: **15 Years**
(21) Appl. No.: **35/513,384**
(22) Filed: **Jul. 19, 2021**
(80) **Hague Agreement Data**
Int. Filing Date: **Jul. 19, 2021**
Int. Reg. No.: **DM/215583**
Int. Reg. Date: **Jul. 19, 2021**
Int. Reg. Pub. Date: **Jan. 21, 2022**

D608,894 S *	1/2010	Arbesman	D24/189
D612,506 S *	3/2010	Arbesman	D24/190
D612,944 S *	3/2010	Arbesman	D24/190
D613,415 S *	4/2010	Arbesman	D24/190
D625,422 S *	10/2010	Arbesman	D24/189
D625,825 S *	10/2010	Arbesman	D24/189
D625,828 S *	10/2010	Arbesman	D24/190
D649,255 S *	11/2011	Kase	D24/189
D674,097 S *	1/2013	Nichols	D24/189
D712,545 S *	9/2014	Igwebuike	D24/189
D712,550 S *	9/2014	Igwebuike	D24/189
D723,176 S *	2/2015	Igwebuike	D24/189
D731,069 S *	6/2015	Bialek	D24/190
D756,525 S *	5/2016	Valdez	D24/190
D774,653 S *	12/2016	Christmas	D12/128
D848,004 S *	5/2019	Del Rossi	D24/189
D865,184 S *	10/2019	Dorsey	D24/190
D865,186 S *	10/2019	Cisko, Jr.	D24/190
D884,198 S *	5/2020	Mei	D24/190
D947,391 S *	3/2022	Chen	D24/190
D961,784 S *	8/2022	Liu	D29/101.5
2018/0207018 A1 *	7/2018	Hoole	A61F 5/373

(51) **LOC (13) Cl.** **24-02**
(52) **U.S. Cl.**
USPC **D24/190; D24/189**
(58) **Field of Classification Search**
USPC **D24/190, 189, 231; D12/128;**
D29/101.5
CPC **A61F 5/3738; A61F 5/373**
See application file for complete search history.

* cited by examiner

Primary Examiner — Rhea Shields

(57) **CLAIM**

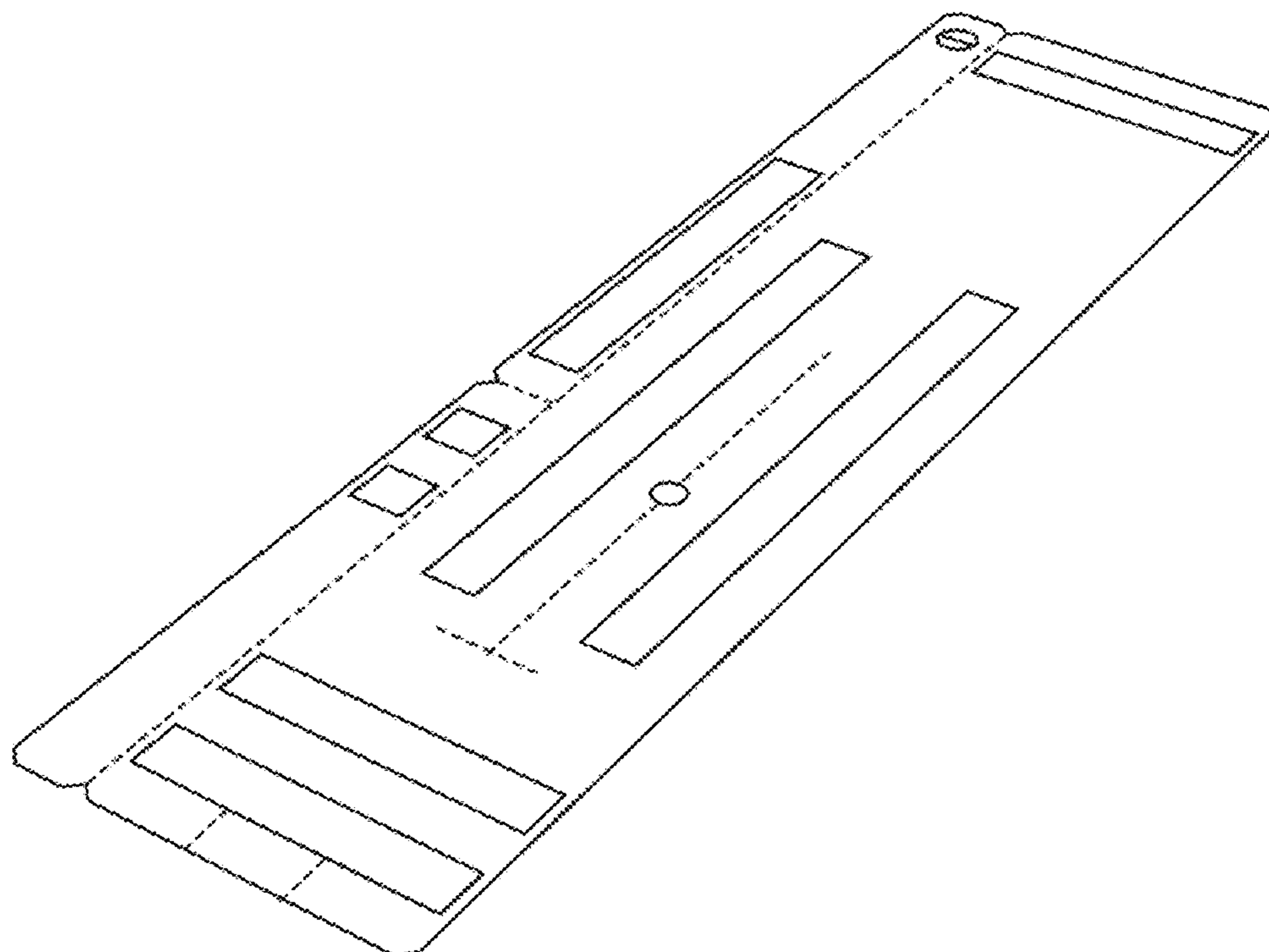
The ornamental design for a surgical sling, as shown and described.

DESCRIPTION

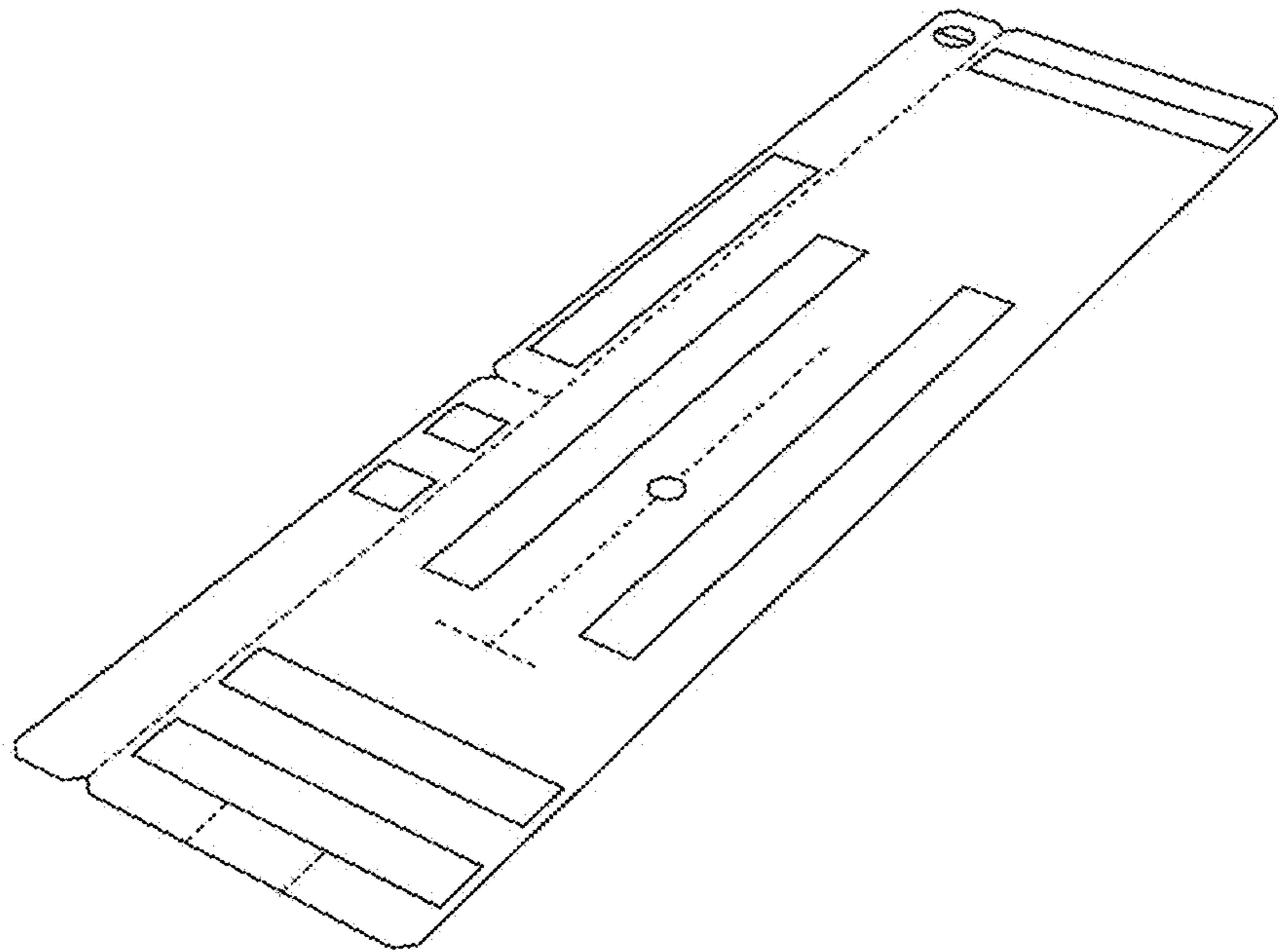
- 1. Surgical sling
- 1.1 : Perspective
- 1.2 : Top
- 1.3 : Bottom

1 Claim, 3 Drawing Sheets

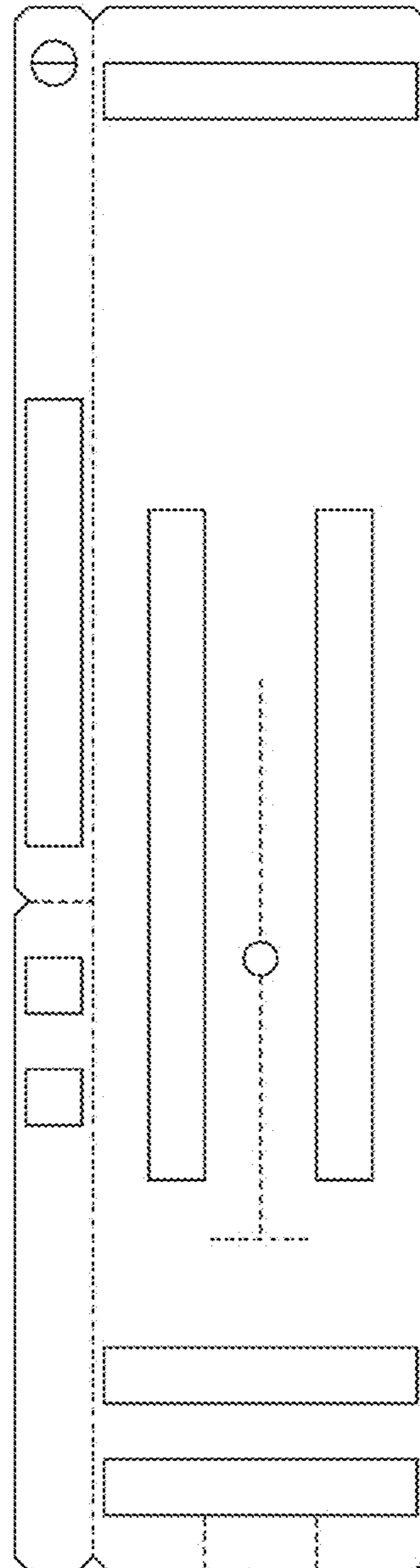
(56) **References Cited**
U.S. PATENT DOCUMENTS
3,215,138 A * 11/1965 Groesbeck A61F 5/3738
D24/190
D604,856 S * 11/2009 Arbesman D24/190
D608,893 S * 1/2010 Arbesman D24/189



1.1



1.2



1.3

