



US00D970733S

(12) **United States Design Patent**
Guegel-Wild

(10) **Patent No.:** **US D970,733 S**

(45) **Date of Patent:** **** Nov. 22, 2022**

(54) **PATIENT TABLE**

(71) Applicant: **Siemens Healthcare GmbH**, Erlangen (DE)

(72) Inventor: **Stefanie Guegel-Wild**, Langensendelbach (DE)

(73) Assignee: **Siemens Healthcare GmbH**, Erlangen (DE)

(**) Term: **15 Years**

(21) Appl. No.: **29/725,818**

(22) Filed: **Feb. 27, 2020**

(30) **Foreign Application Priority Data**

Aug. 30, 2019 (EM) 006789624

(51) **LOC (13) Cl.** **24-02**

(52) **U.S. Cl.**
USPC **D24/183**

(58) **Field of Classification Search**
USPC D24/107, 158-161, 183-184, 200, 201;
D6/336-337, 382, 384, 595-596, 601,
D6/604-605
CPC A61M 16/101; A61H 1/00; A61G 13/10;
A61G 13/1235; A61G 2210/50; A61B
6/04; A61B 6/0407; A61F 5/3723; A61F
5/3761
See application file for complete search history.

(56) **References Cited**

U.S. PATENT DOCUMENTS

D553,246 S * 10/2007 Banryu D24/183
D630,330 S * 1/2011 Baba D24/159
D727,509 S * 4/2015 Tan D24/159
D735,864 S * 8/2015 Doerre D24/159

D743,555 S * 11/2015 Hasebe D24/159
D748,804 S * 2/2016 Eenboom D24/183
D752,757 S * 3/2016 Li D24/159
D829,913 S * 10/2018 Kitayama D24/159
D844,789 S * 4/2019 Hetz D24/183
D897,540 S * 9/2020 Roth D24/183
D911,528 S * 2/2021 Sun D24/183

FOREIGN PATENT DOCUMENTS

JP D2003-18503 * 4/2004

OTHER PUBLICATIONS

Nexaris MR: Improving the management of neurosurgery patients. Online, published date unknown. Retrieved on Sep. 1, 2021 from URL: <https://www.siemens-healthineers.com/en-us/magnetic-resonance-imaging/mri-guided-therapy/neurosurgery>.*

* cited by examiner

Primary Examiner — Omeed Agilee

(74) *Attorney, Agent, or Firm* — Banner & Witcoff Ltd.

(57) **CLAIM**

The ornamental design for a patient table, as shown and described.

DESCRIPTION

FIG. 1 is a front elevational view of a patient table showing my new design;
FIG. 2 is a back elevational view thereof;
FIG. 3 is a top plan view thereof;
FIG. 4 is a bottom plan view thereof;
FIG. 5 is a right side elevational view thereof;
FIG. 6 is a left side elevational view thereof; and,
FIG. 7 is a top, front, left perspective view thereof.
The broken lines in the drawings depict portions of the patient table that form no part of the claimed design.

1 Claim, 7 Drawing Sheets

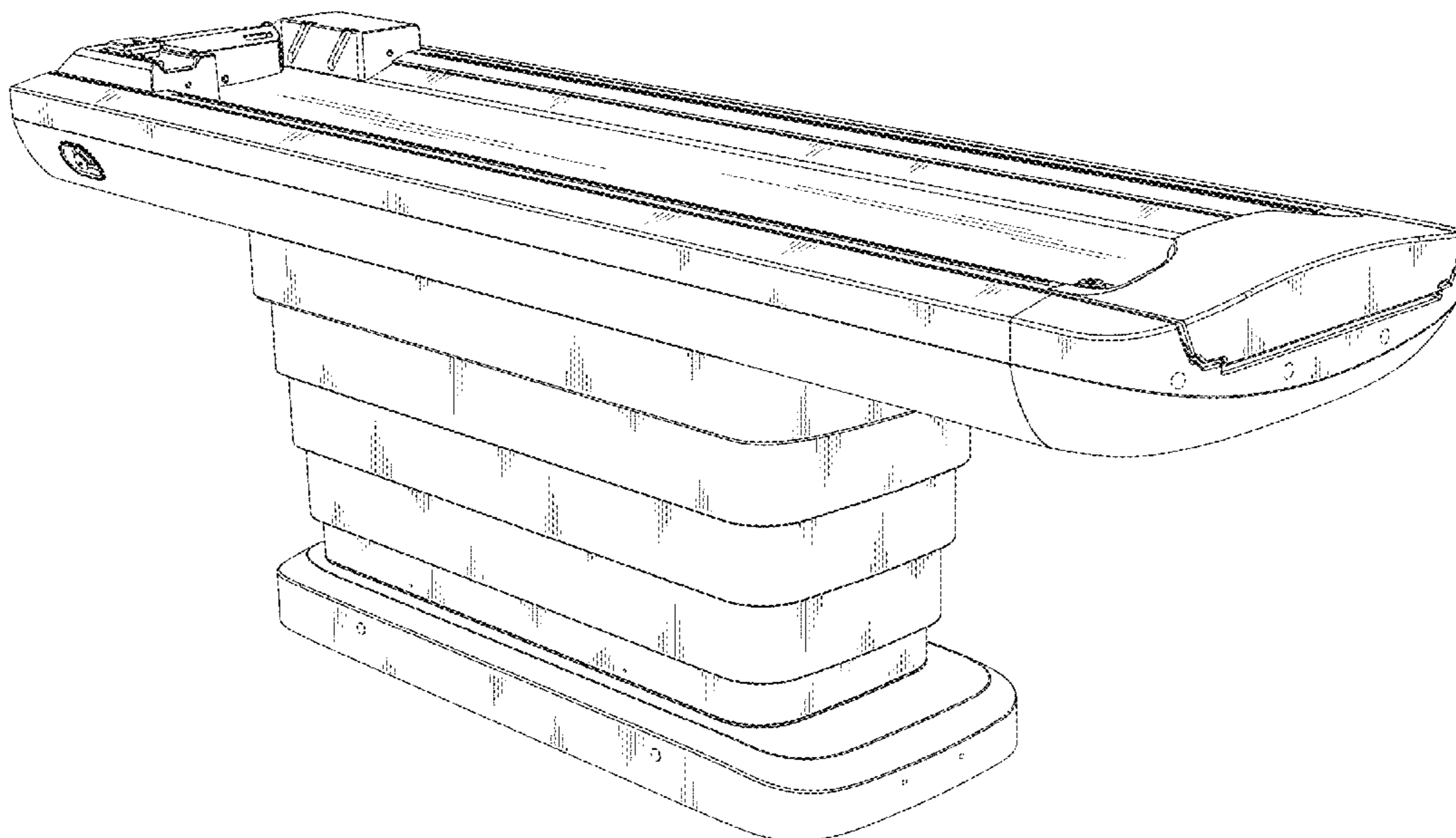


FIG. 1

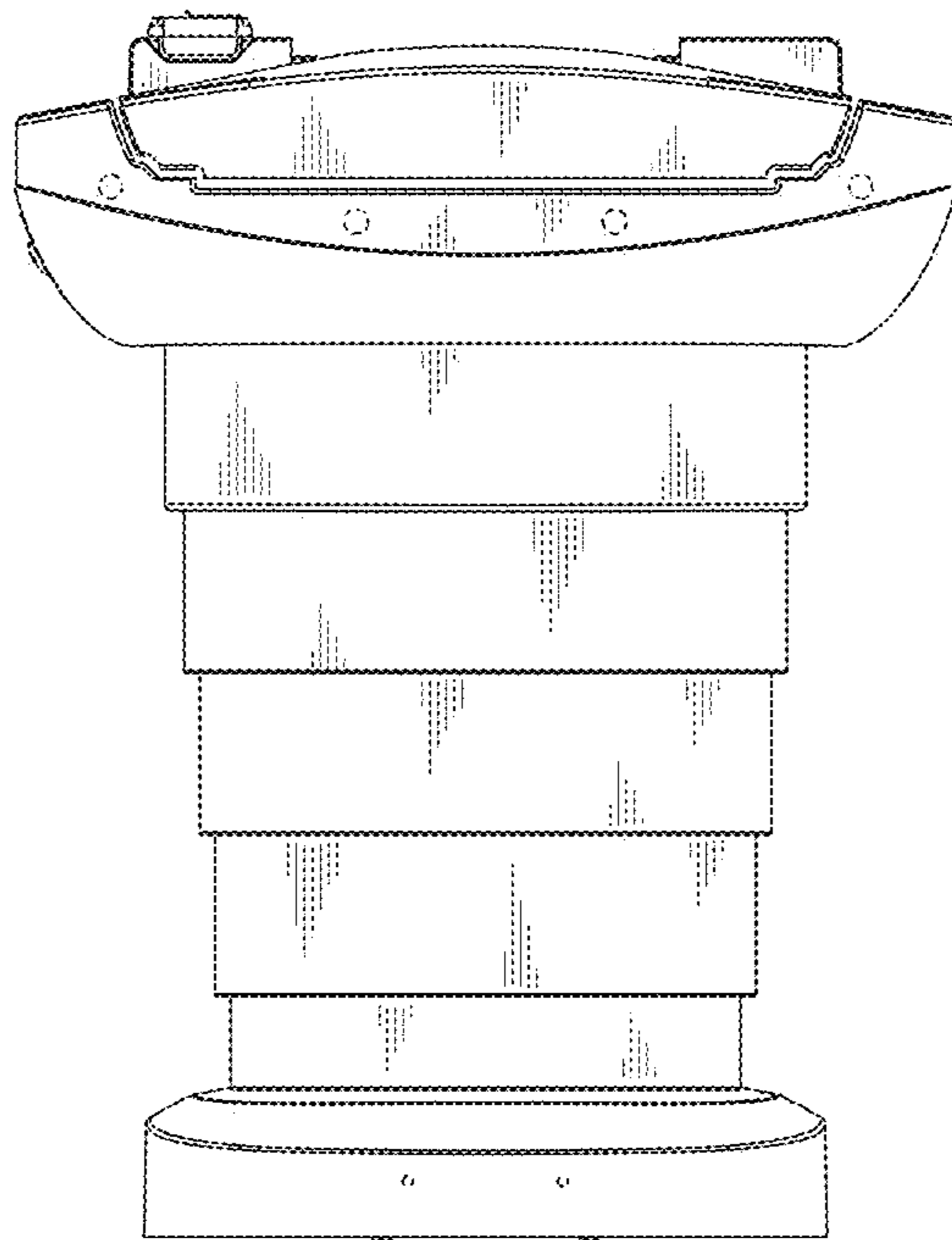


FIG. 2

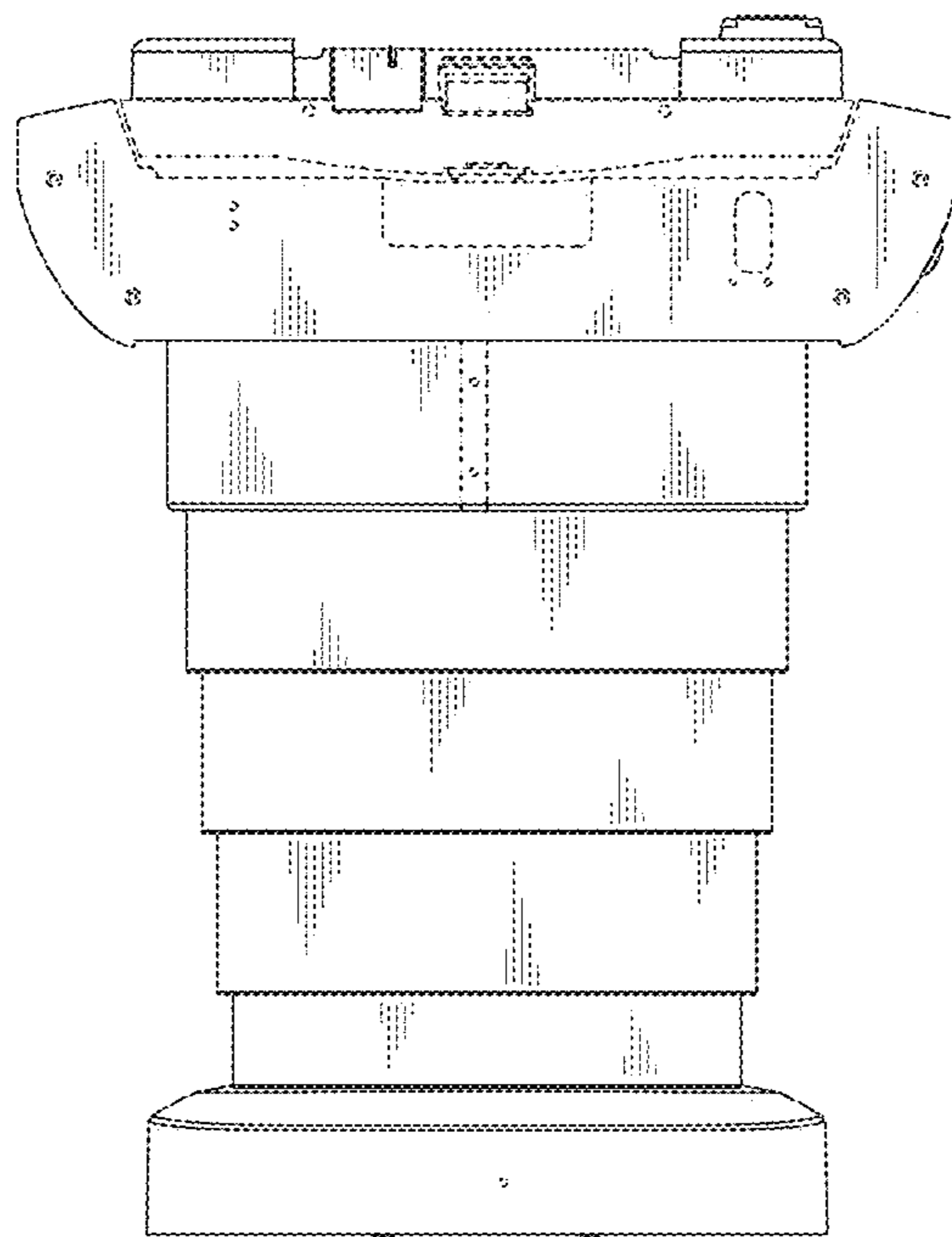


FIG. 3

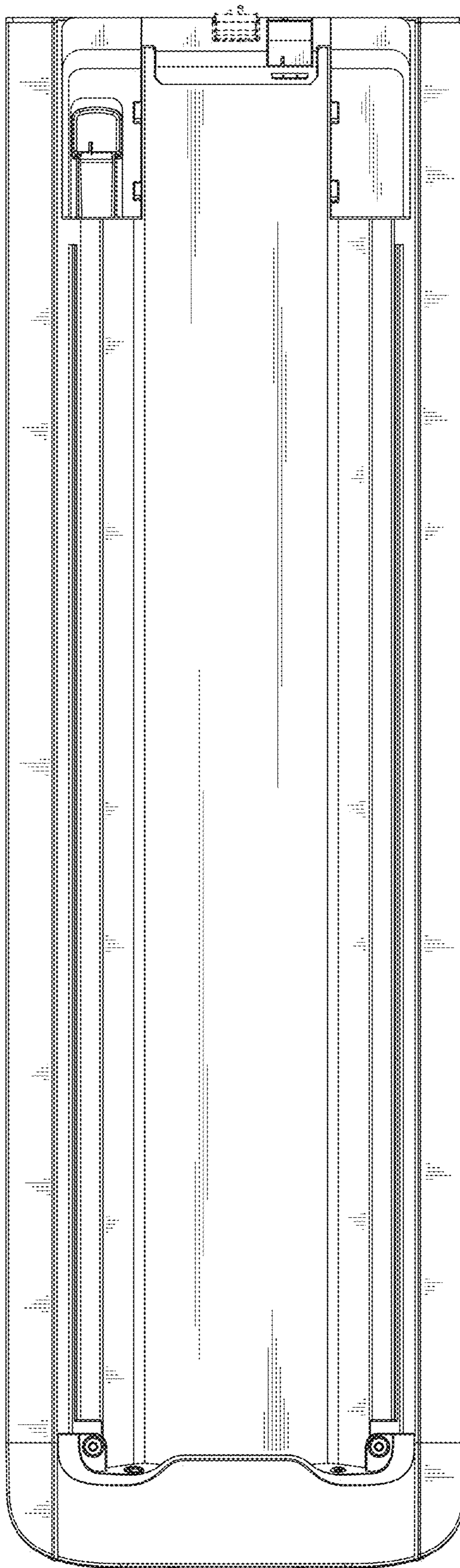


FIG. 4

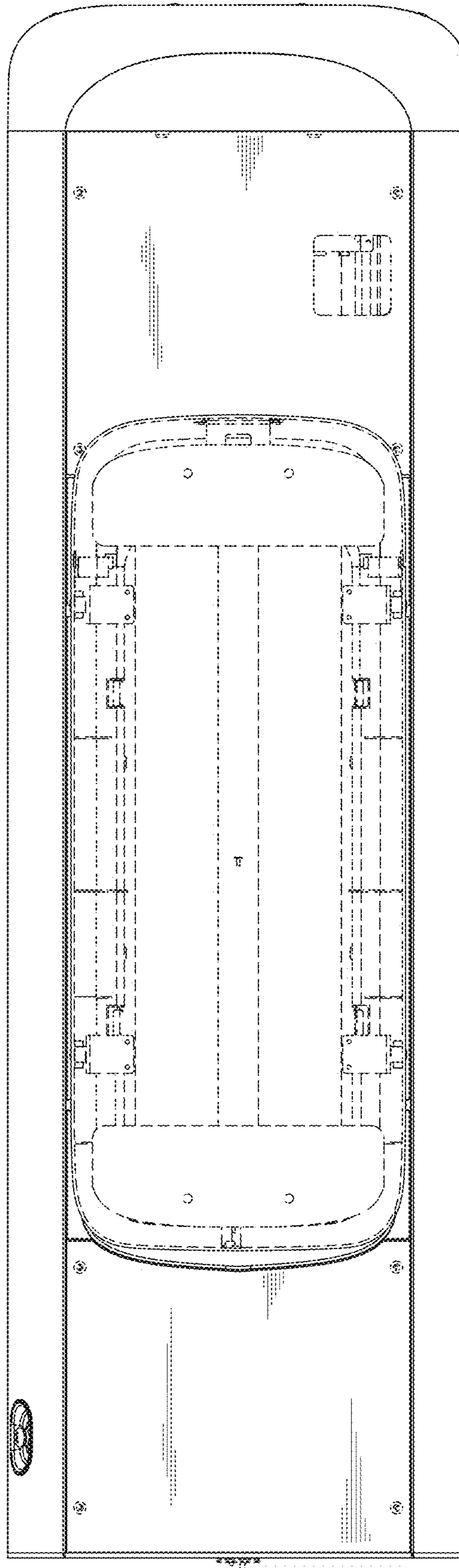


FIG. 5

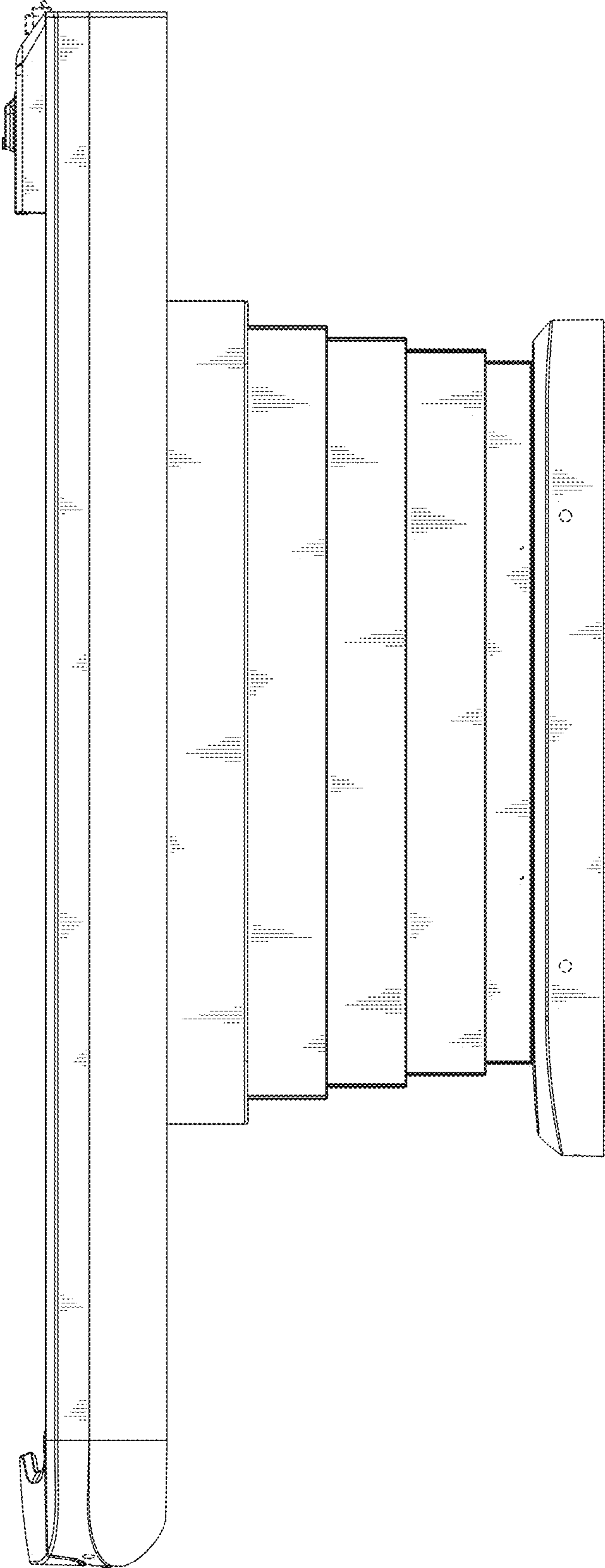


FIG. 6

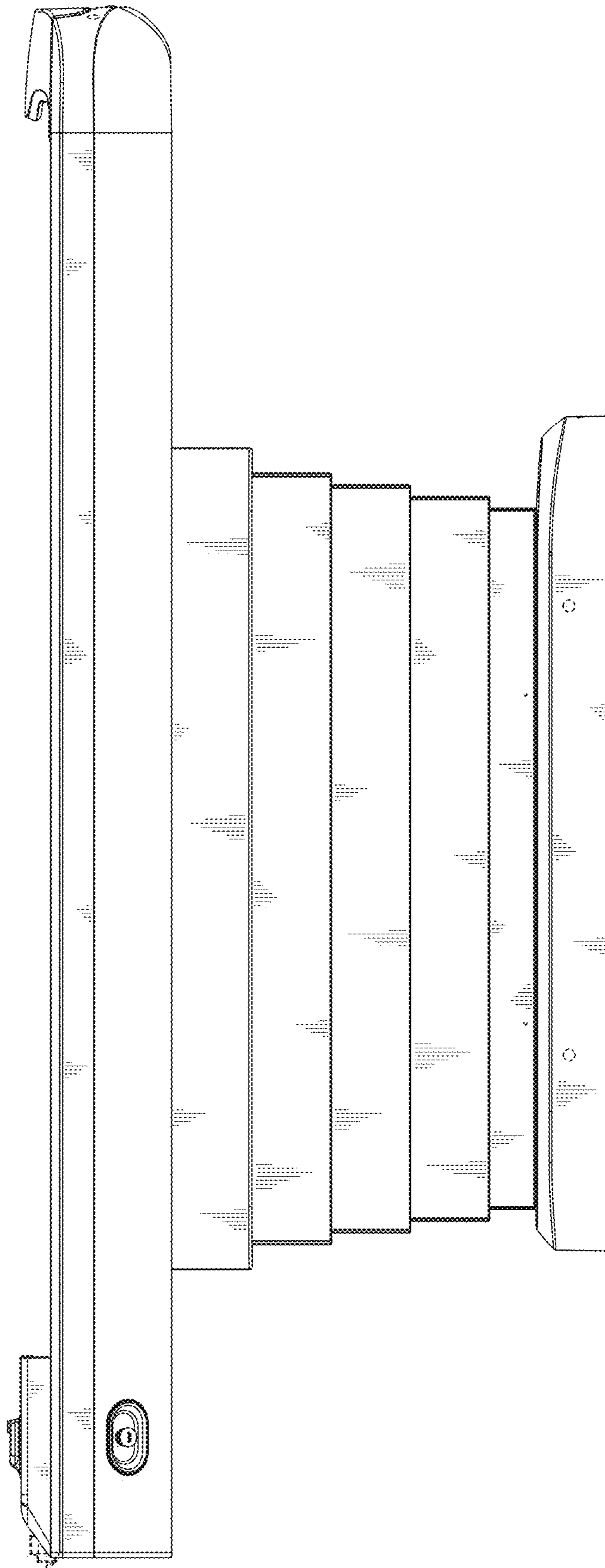


FIG. 7

