



US00D970732S

(12) **United States Design Patent** (10) **Patent No.:** **US D970,732 S**
Swan (45) **Date of Patent:** **** Nov. 22, 2022**

(54) **DENTAL MATRIX BAND**

FOREIGN PATENT DOCUMENTS

(71) Applicant: **ULTRADENT PRODUCTS, INC.**,
South Jordan, UT (US)

CN 306715280 * 7/2021

(72) Inventor: **Taylor J. Swan**, South Jordan, UT (US)

OTHER PUBLICATIONS

(73) Assignee: **ULTRADENT PRODUCTS, INC.**,
South Jordan, UT (US)

Composi-Tight M-series Matrix Bands, [site visited Oct. 13, 2020].
Available from Internet. URL: <https://www.garrisonsdental.com/en/matrix-bands/composi-tight-m-bands> Apr. 18, 2018 (Year: 2018).

(**) Term: **15 Years**

(Continued)

(21) Appl. No.: **29/864,590**

Primary Examiner — T Chase Nelson

Assistant Examiner — Kelly L Gross

(22) Filed: **Jun. 6, 2022**

(74) *Attorney, Agent, or Firm* — Maschoff Brennan

Related U.S. Application Data

(62) Division of application No. 29/798,585, filed on Jul. 8, 2021, now Pat. No. Des. 954,266, which is a division of application No. 29/685,311, filed on Mar. 27, 2019, now Pat. No. Des. 927,695.

(57) **CLAIM**

The ornamental design for a dental matrix band, as shown and described.

(51) **LOC (13) Cl.** **24-02**

(52) **U.S. Cl.**
USPC **D24/181; D24/176**

DESCRIPTION

(58) **Field of Classification Search**
USPC D24/152–154, 176–182, 107, 155, 156;
D29/108
CPC .. A61C 5/00; A61C 5/12; A61C 5/122; A61C
5/125; A61C 5/127; A61C 7/00; A61C
7/18; A61C 15/00

FIG. 1 is a first perspective view of an embodiment of the dental matrix band;
FIG. 2 is a second upper perspective view of the dental matrix band of FIG. 1;
FIG. 3 is a front view of the dental matrix band of FIG. 1;
FIG. 4 is a rear view of the dental matrix band of FIG. 1;
FIG. 5 is a left side view of the dental matrix band of FIG. 1;
FIG. 6 is a right side view of the dental matrix band of FIG. 1;
FIG. 7 is a top view of the dental matrix band of FIG. 1; and,
FIG. 8 is a bottom view of the dental matrix band of FIG. 1.
The broken lines showing portions of the dental matrix band are included for the purpose of illustrating environmental structures and form no part of the claimed design.

See application file for complete search history.

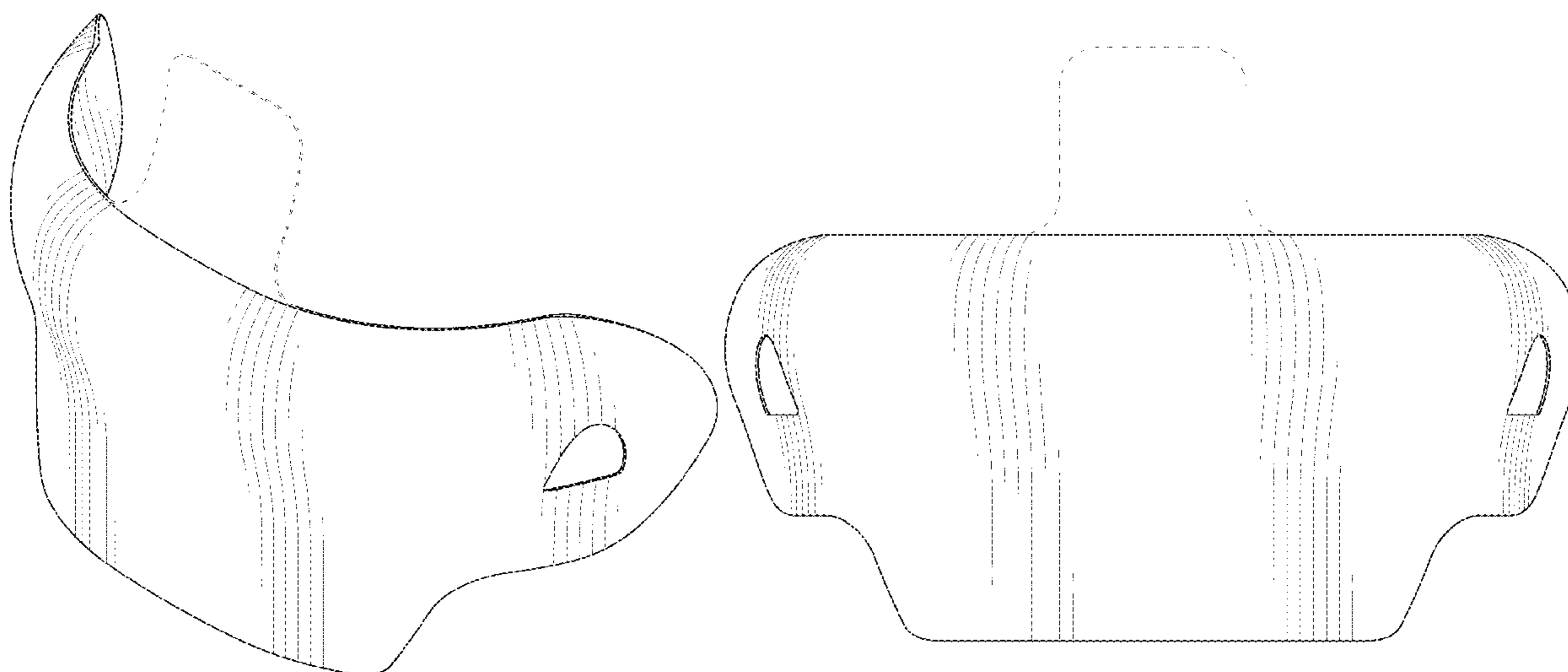
(56) **References Cited**

U.S. PATENT DOCUMENTS

2,591,744 A 4/1952 Tofflemire
2,594,367 A 4/1952 Tofflemire
3,145,472 A 8/1964 Tofflemire
3,237,307 A 3/1966 Tofflemire
3,305,928 A 1/1967 Tofflemire

(Continued)

1 Claim, 7 Drawing Sheets



(56)

References Cited

U.S. PATENT DOCUMENTS

3,482,314 A 12/1969 Tofflemire
 3,529,353 A * 9/1970 Schiarolli A61C 7/10
 433/7
 3,606,685 A * 9/1971 Schwartz A61C 7/12
 433/14
 3,842,505 A 10/1974 Eames
 D297,362 S 8/1988 Dragan
 5,035,615 A 7/1991 Din
 5,330,353 A 7/1994 Wavrin
 D353,200 S * 12/1994 Martin D24/176
 5,586,883 A 12/1996 Nakisher
 5,730,592 A 3/1998 Meyer
 D406,442 S 3/1999 Allen
 D424,740 S 5/2000 Ono
 D434,524 S 11/2000 Kalafsky
 D485,617 S * 1/2004 Bosma D24/152
 D485,907 S * 1/2004 Bosma D24/152
 D491,663 S * 6/2004 Bat-Genstein D24/176
 D556,327 S * 11/2007 Albelda D24/176
 D595,414 S 6/2009 McDonald
 D599,020 S 8/2009 McDonald
 D599,021 S 8/2009 McDonald
 D599,022 S 8/2009 McDonald
 D604,854 S 11/2009 McDonald
 D605,298 S 12/2009 McDonald
 D640,421 S 6/2011 Wright
 D655,007 S * 2/2012 Dillon A61C 19/063
 D24/152
 D662,203 S 6/2012 Smith
 D666,722 S * 9/2012 Dragan D24/152
 8,272,869 B2 * 9/2012 Galler A61C 5/85
 433/39
 D675,337 S 1/2013 Peplow
 D688,832 S * 8/2013 Polk, III D29/108
 D690,020 S 9/2013 Quimby
 D690,423 S 9/2013 Pieroni
 D690,821 S * 10/2013 Slone D24/181
 D692,124 S 10/2013 Austin
 D698,924 S 2/2014 Pieroni
 D705,938 S 5/2014 McDonald
 8,882,499 B2 * 11/2014 White A61C 7/00
 433/18
 D721,812 S 1/2015 Haraden
 D721,813 S 1/2015 Haraden
 D725,775 S * 3/2015 Foster D24/143
 9,084,649 B2 7/2015 Kansal
 9,138,300 B2 * 9/2015 Marteney A61C 5/88
 D747,809 S 1/2016 Anderson
 D756,522 S 5/2016 Anderson
 9,339,351 B2 * 5/2016 Durandis A61C 7/18
 9,358,080 B2 * 6/2016 Clark A61C 5/85
 D763,449 S * 8/2016 Andersen D24/181
 D764,057 S * 8/2016 Schaffner D24/143

9,414,895 B2 8/2016 Clark
 D766,445 S 9/2016 Brown
 D770,050 S * 10/2016 Anderson D24/181
 D773,053 S * 11/2016 Garrison D24/181
 D792,594 S 7/2017 Nicholson
 RE46,553 E * 9/2017 McDonald A61C 5/88
 D799,048 S 10/2017 Wigal
 D800,199 S * 10/2017 Yang D15/199
 9,775,686 B2 * 10/2017 Agnew A61C 5/82
 D808,020 S * 1/2018 Andersen D24/181
 9,883,922 B2 * 2/2018 McDonald A61C 5/88
 D819,205 S * 5/2018 Snyder D24/135
 D822,213 S * 7/2018 Hull D24/181
 D823,473 S * 7/2018 Frymark D24/181
 D838,856 S * 1/2019 Frymark D24/181
 10,314,672 B2 * 6/2019 Alzain A61B 13/00
 D861,172 S 9/2019 Yang
 10,441,394 B2 * 10/2019 McDonald A61C 19/003
 10,517,703 B2 * 12/2019 Pines A61C 15/046
 D901,012 S 11/2020 Davies
 D908,875 S 1/2021 Ashkenazi
 10,898,305 B2 1/2021 McDonald
 D927,695 S 8/2021 Swan
 D944,982 S * 3/2022 Rojas-Vizcaya D24/176
 D945,625 S * 3/2022 Haraden D24/181
 D948,719 S * 4/2022 Robichaud D24/155
 D954,266 S 6/2022 Swan
 2005/0089814 A1 4/2005 Slone
 2005/0287491 A1 12/2005 Slone
 2007/0154860 A1 7/2007 Kerle
 2008/0176179 A1 7/2008 Coffee
 2009/0081606 A1 * 3/2009 Scarazzo A61C 5/85
 433/39
 2009/0142725 A1 6/2009 Bryant
 2011/0070555 A1 3/2011 Anderson
 2011/0189629 A1 * 8/2011 Kilcher A61C 5/85
 433/39
 2012/0129125 A1 5/2012 Ibrahim
 2013/0052608 A1 2/2013 Fatiny
 2013/0216973 A1 8/2013 Haraden
 2014/0051032 A1 2/2014 Haraden
 2015/0150651 A1 6/2015 McDonald
 2015/0182302 A1 7/2015 McDonald
 2015/0216625 A1 * 8/2015 McDonald A61C 5/85
 433/155
 2017/0231720 A1 8/2017 McDonald
 2018/0014913 A1 1/2018 Fatiny
 2019/0350679 A1 11/2019 Thai

OTHER PUBLICATIONS

Placing the Matrix Band,—Garrison Dental [site visited Oct. 13, 2020]. Available from Internet. URL: <https://www.youtube.com/watch?v=5Tpj9xP2Zpc> Apr. 18, 2018 (Year: 2018).

* cited by examiner

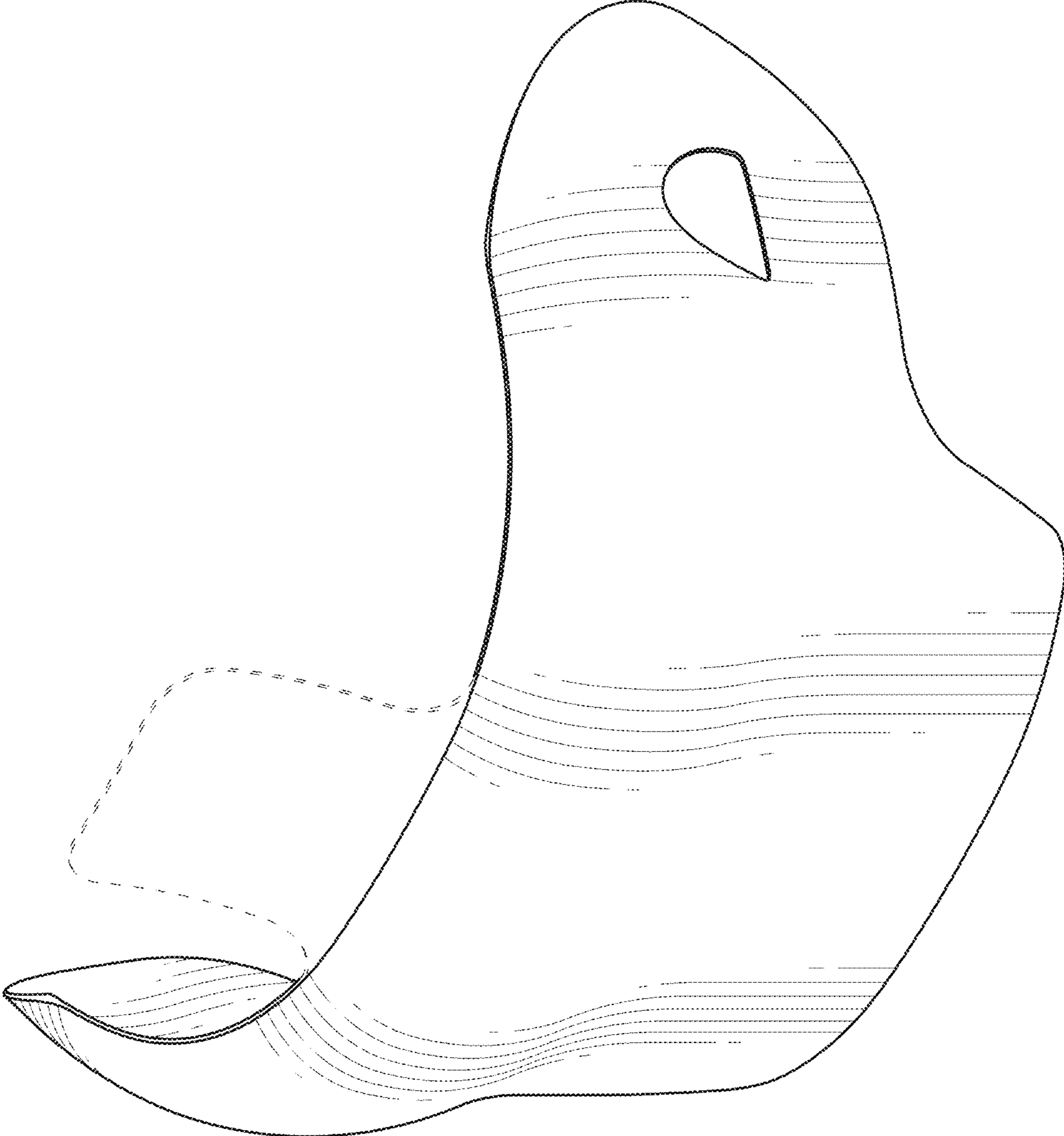


FIG. 1

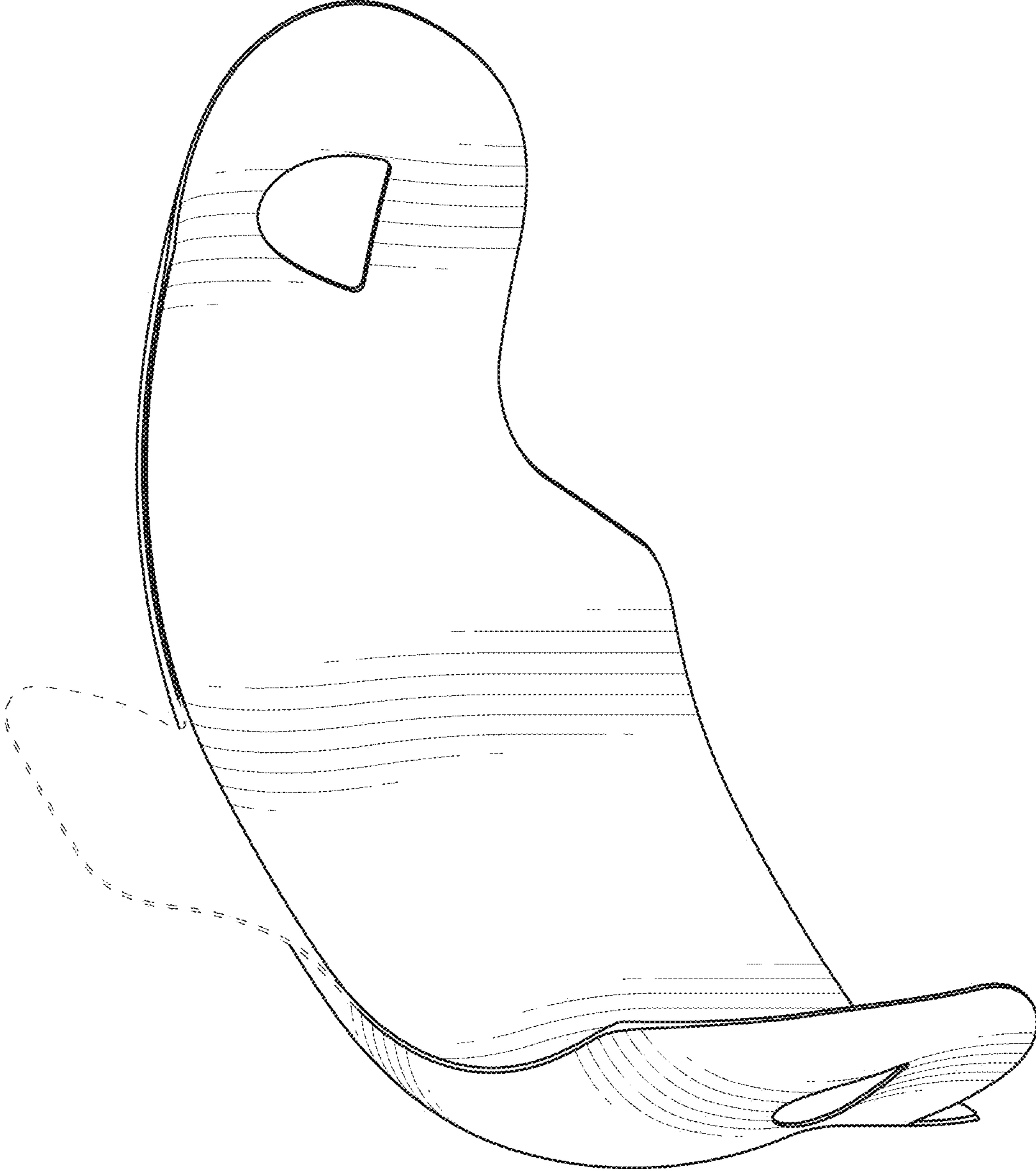


FIG. 2

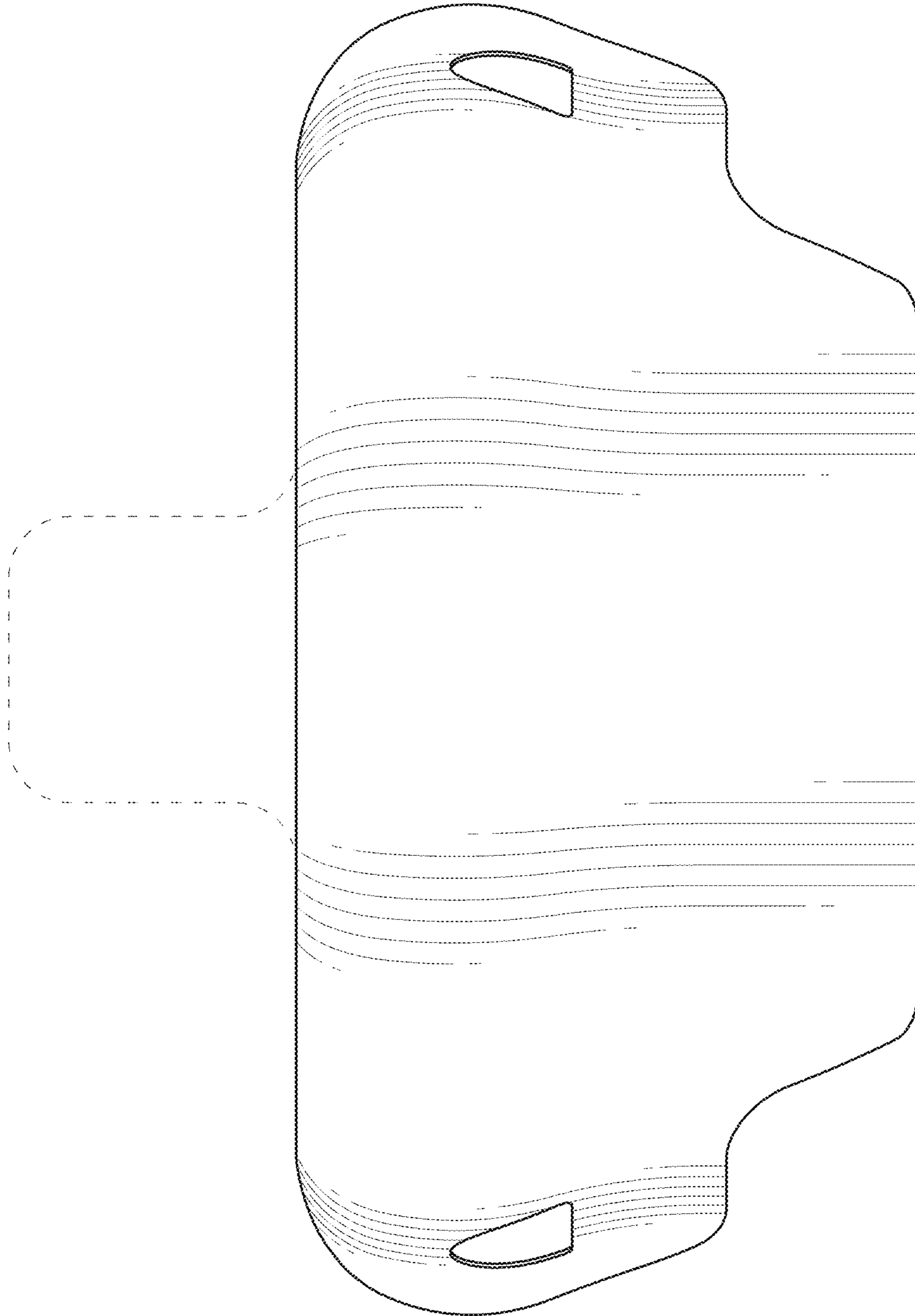


FIG. 3

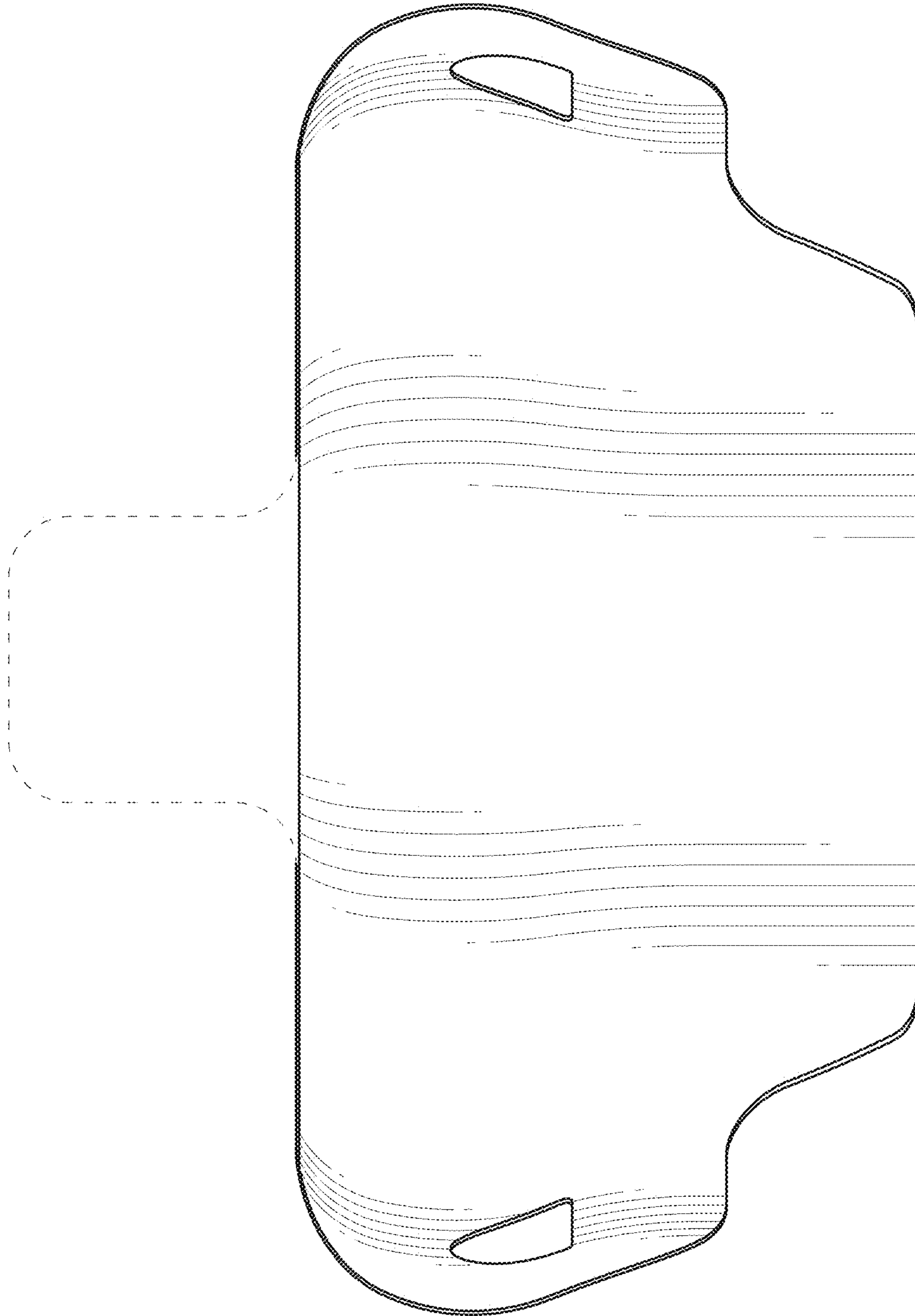


FIG. 4

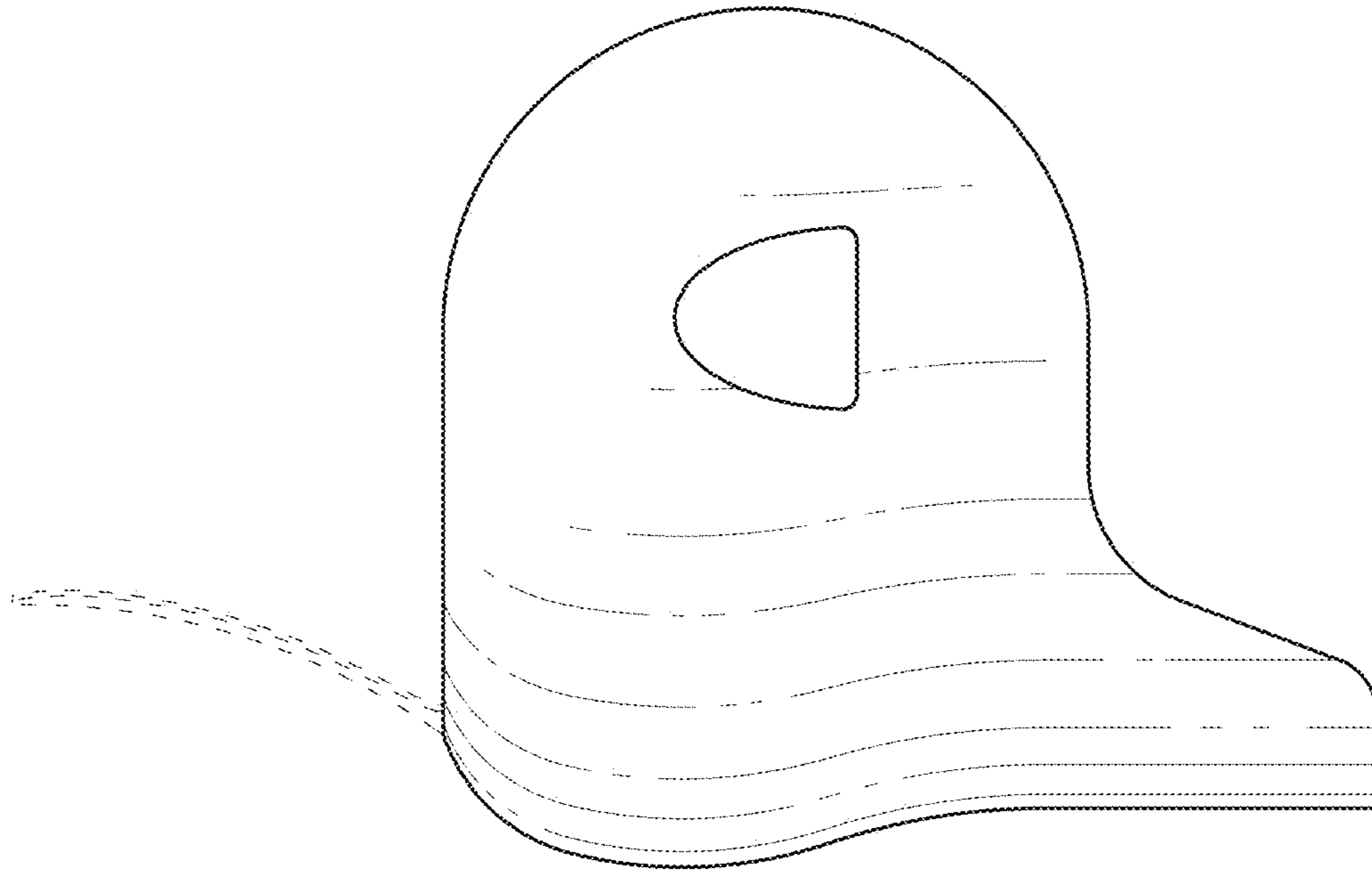


FIG. 6

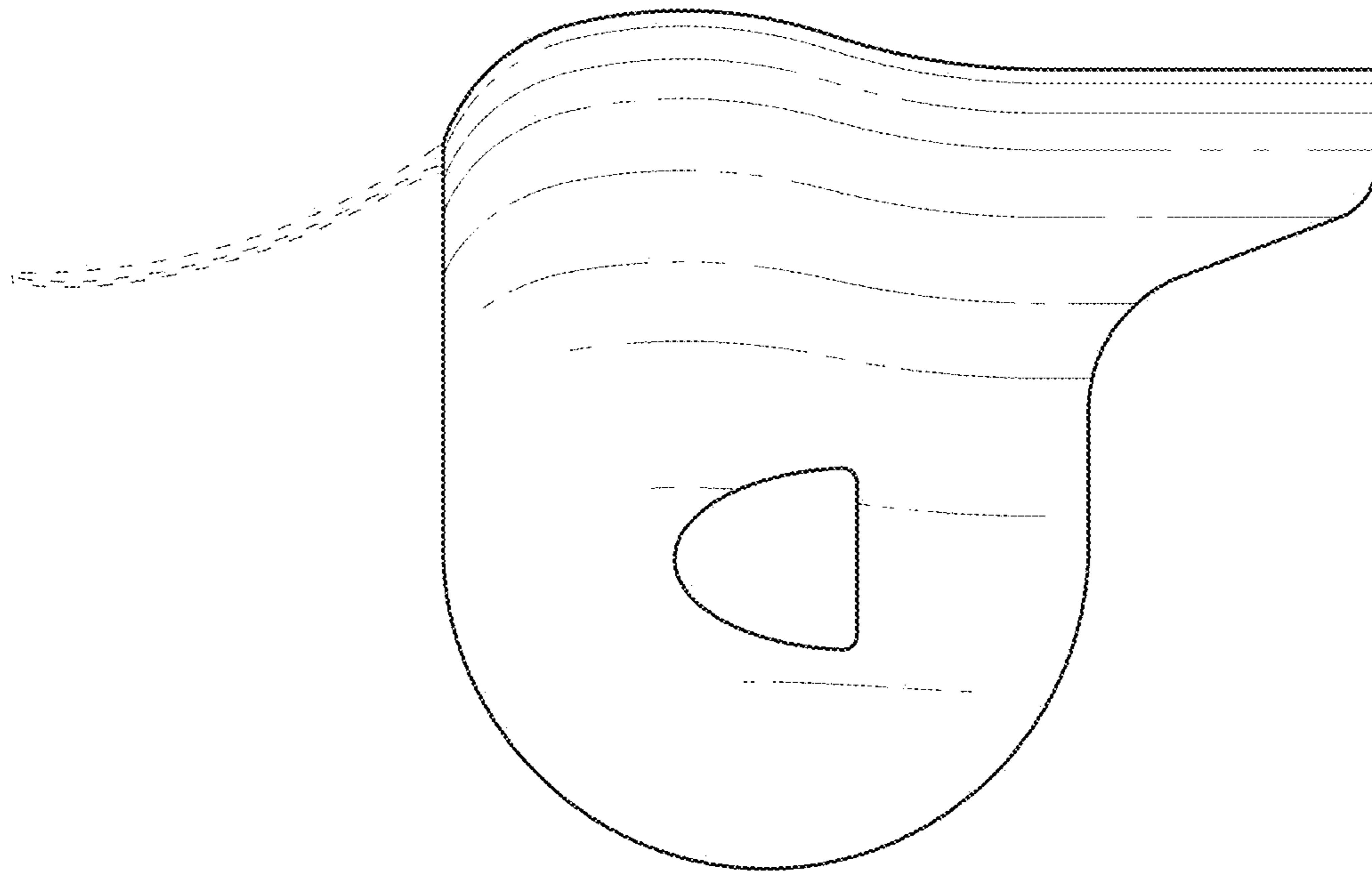


FIG. 5

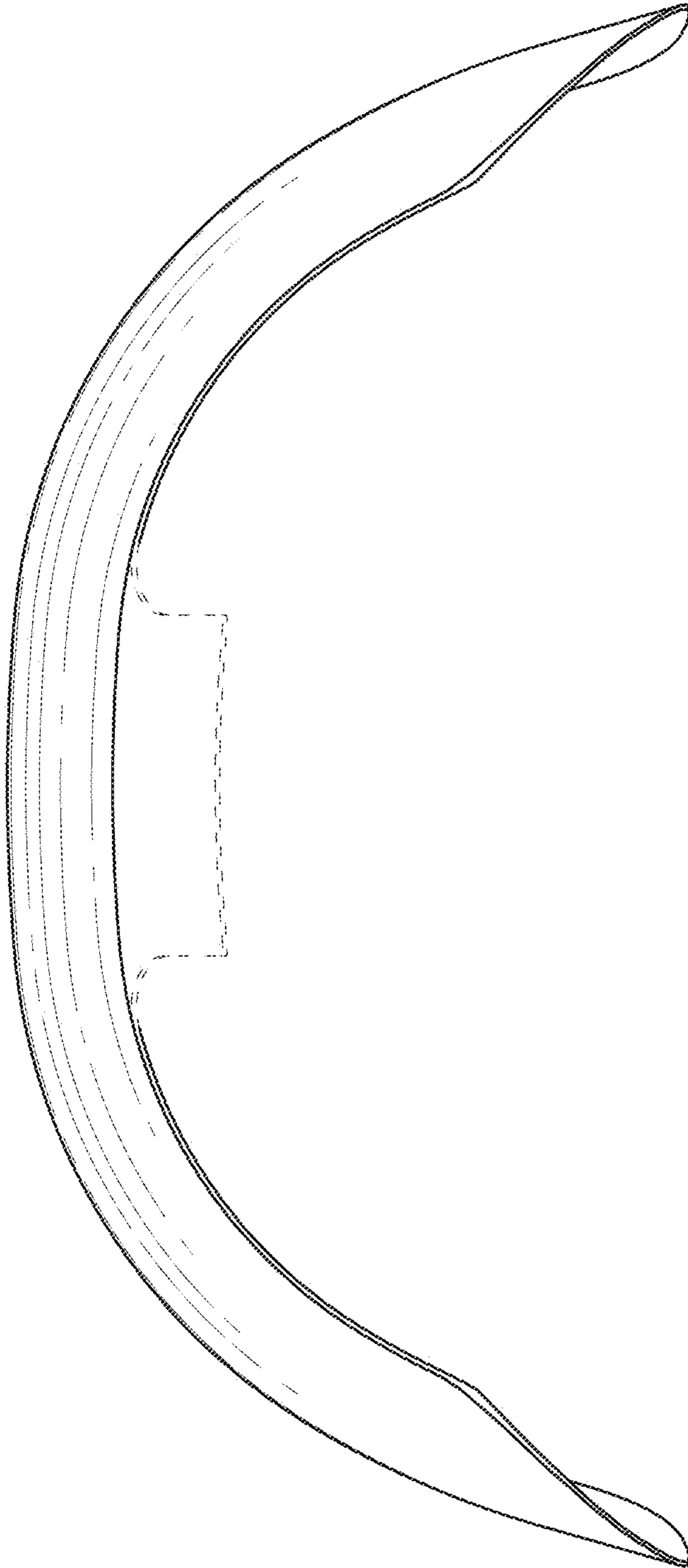


FIG. 7

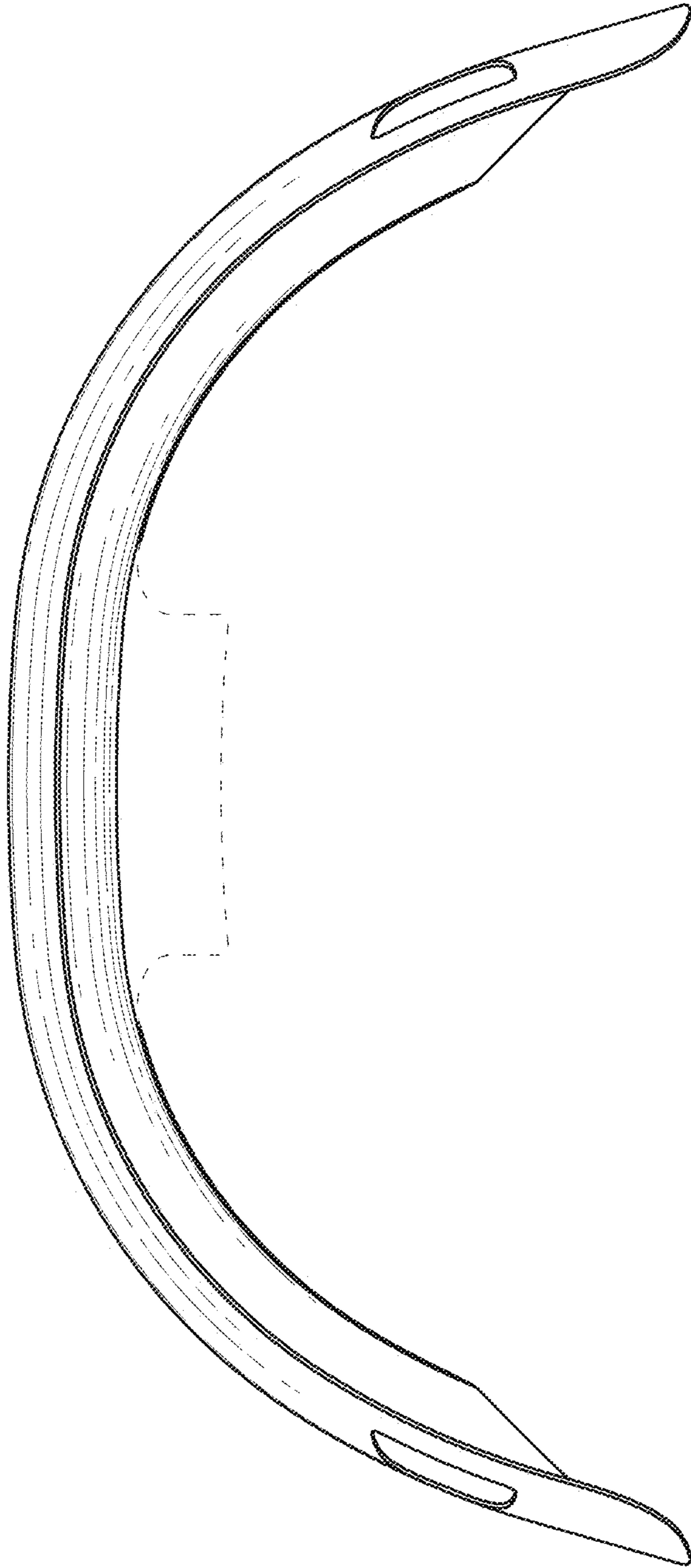


FIG. 8