



US00D970730S

(12) **United States Design Patent** (10) **Patent No.:** **US D970,730 S**
Xia (45) **Date of Patent:** **** Nov. 22, 2022**

(54) **OXYGEN CONCENTRATOR**
(71) Applicant: **Shenzhen IMDK Medical Technology Co., Ltd., Shenzhen (CN)**
(72) Inventor: **Changchun Xia, Wenzhou (CN)**
(73) Assignee: **SHENZHEN IMDK MEDICAL TECHNOLOGY CO., LTD., Shenzhen (CN)**

D835,766 S * 12/2018 Chen D23/364
D850,596 S * 6/2019 Wu D23/366
D854,691 S * 7/2019 Kondo D24/164
(Continued)

FOREIGN PATENT DOCUMENTS

CN 306488649 * 4/2021
EM 008304828-0001 * 12/2020
(Continued)

OTHER PUBLICATIONS

Home medical therapy oxygen concentrator, 2021, alibaba.com [online], [site visited Mar. 9, 2022], Available from internet: <https://www.alibaba.com/product-detail/Home-medical-therapy-oxygen-concentrator-machine_1600460054193.html?spm=a2700.shop_plgr.41413.8.14e1156dAWGK9v> (Year: 2021).*

(Continued)

Primary Examiner — Wendy L Arminio
Assistant Examiner — Maheen Khurshid
(74) *Attorney, Agent, or Firm* — WPAT, PC

(**) Term: **15 Years**
(21) Appl. No.: **29/761,044**
(22) Filed: **Dec. 7, 2020**
(51) **LOC (13) Cl.** **24-02**
(52) **U.S. Cl.**
USPC **D24/164**
(58) **Field of Classification Search**
USPC D24/163, 164, 165, 170, 185, 186, 110,
D24/129, 110.5, 110.6, 201, 202, 203,
D24/231, 234
CPC A61D 7/00; A61B 5/0013; A61B 5/0077;
A61G 10/026; A61G 11/00
See application file for complete search history.

(57) **CLAIM**

The ornamental design for an oxygen concentrator, as shown and described.

(56) **References Cited**

U.S. PATENT DOCUMENTS

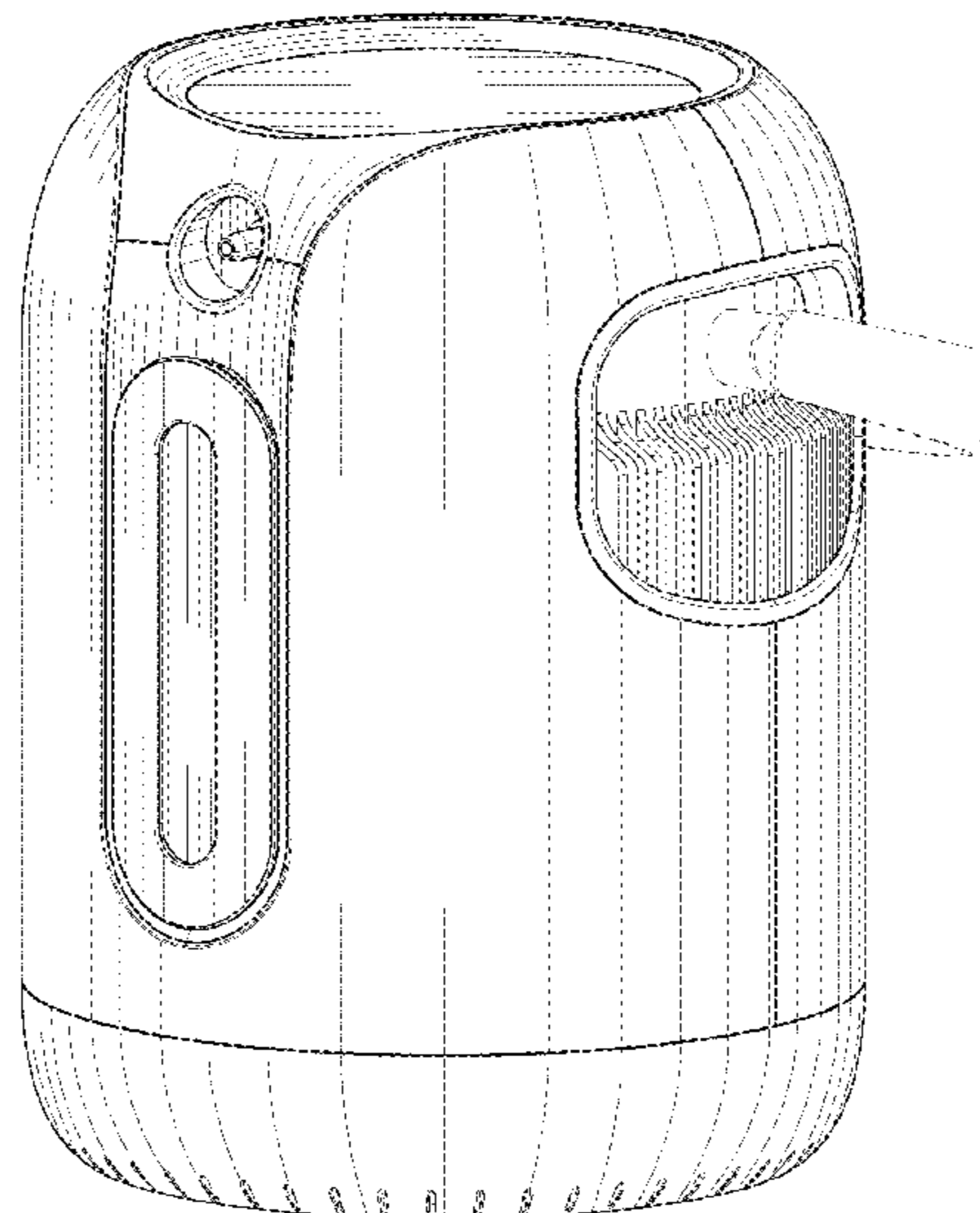
D282,547 S * 2/1986 McCombs D15/199
D287,051 S * 12/1986 Perkins D9/425
5,170,782 A * 12/1992 Kocinski B05B 17/0615
239/338
D337,636 S * 7/1993 Kocinski D24/110
D528,212 S * 9/2006 Conway D24/164
D550,360 S * 9/2007 McCombs D24/164
D607,107 S * 12/2009 McCombs D24/164
D642,273 S * 7/2011 McCombs D24/164
D700,701 S * 3/2014 Taylor D24/164
D757,926 S * 5/2016 Van Sickle D24/110
D826,388 S * 8/2018 Yeung D23/356
D834,694 S * 11/2018 Walter D23/366
D835,290 S * 12/2018 Galvin D24/201

DESCRIPTION

FIG. 1 is a perspective view of an oxygen concentrator, showing the new design;
FIG. 2 is a front view thereof;
FIG. 3 is a rear view thereof;
FIG. 4 is a left-side view thereof;
FIG. 5 is a right-side view thereof;
FIG. 6 is a top view thereof; and,
FIG. 7 is a bottom view thereof.

The broken lines are included for the purpose of illustrating portions of the oxygen concentrator that form no part of the claimed design.

1 Claim, 7 Drawing Sheets



(56)

References Cited

U.S. PATENT DOCUMENTS

D861,874 S * 10/2019 Hirano D24/164
D886,278 S * 6/2020 Lin D24/110
D900,304 S * 10/2020 Xia D24/110
D930,835 S * 9/2021 Taylor D24/164

FOREIGN PATENT DOCUMENTS

EM 008304828-0002 * 12/2020
EM 008846273-0001 * 2/2022
GB 6108445 * 12/2020
GB 6108446 * 12/2020
GB 6132069 * 4/2021

OTHER PUBLICATIONS

Portable Oxygen Concentrator, Dec. 26, 2019, youtube.com [online],
[site visited Mar. 9, 2022], Available from internet: <<https://www.youtube.com/watch?v=9AI5ABfnaOc>> (Year: 2019).*

* cited by examiner

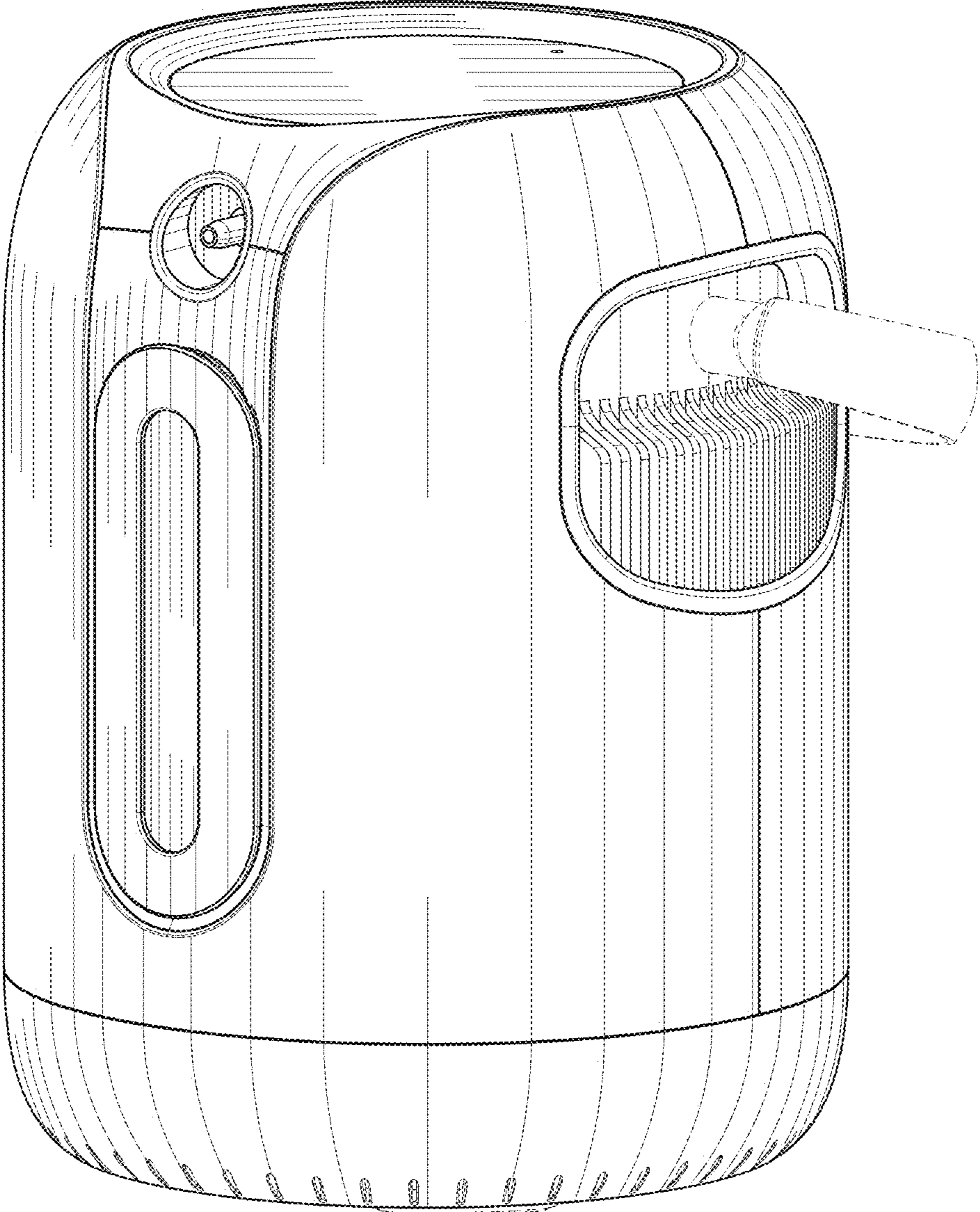


FIG. 1

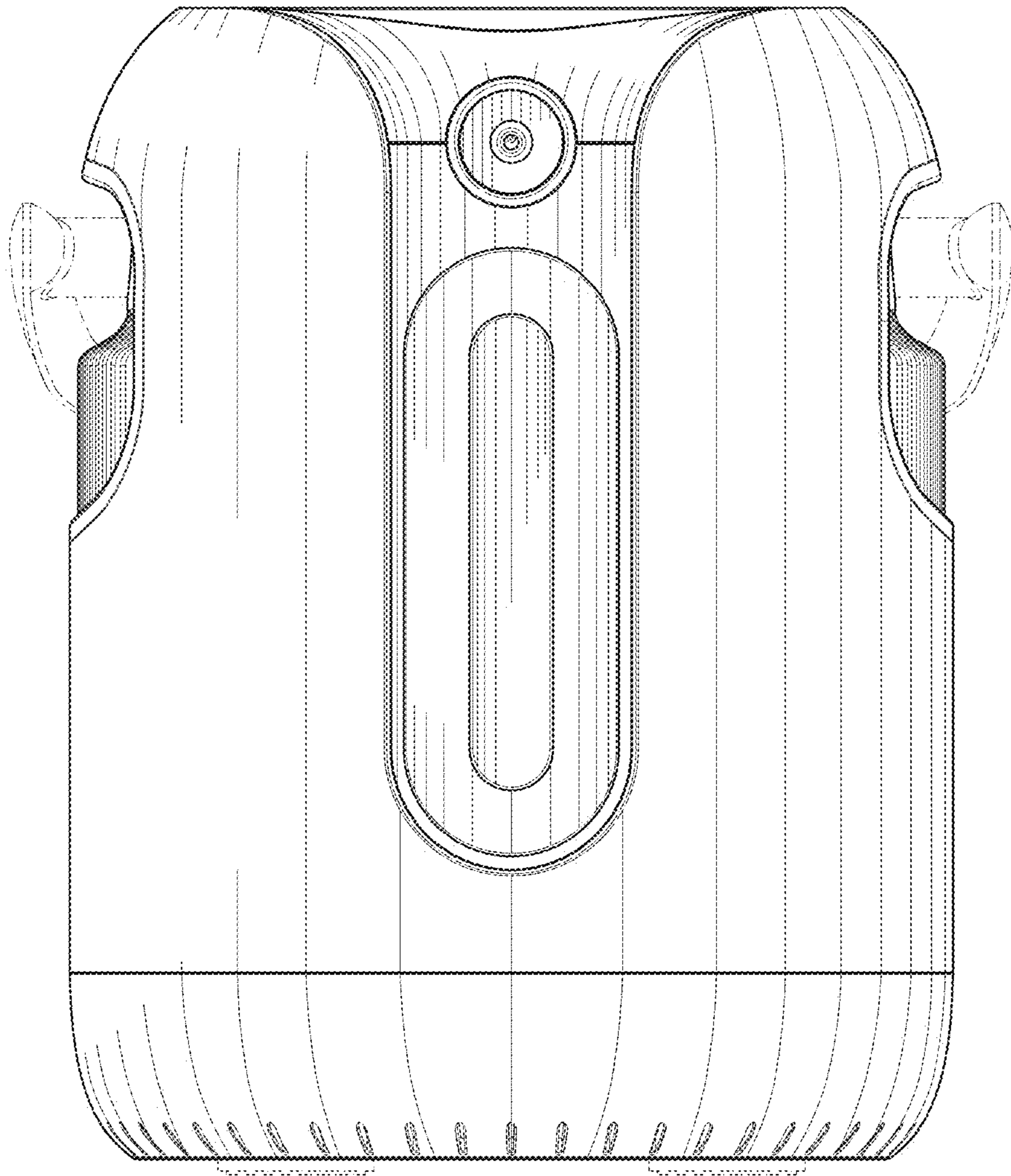


FIG. 2

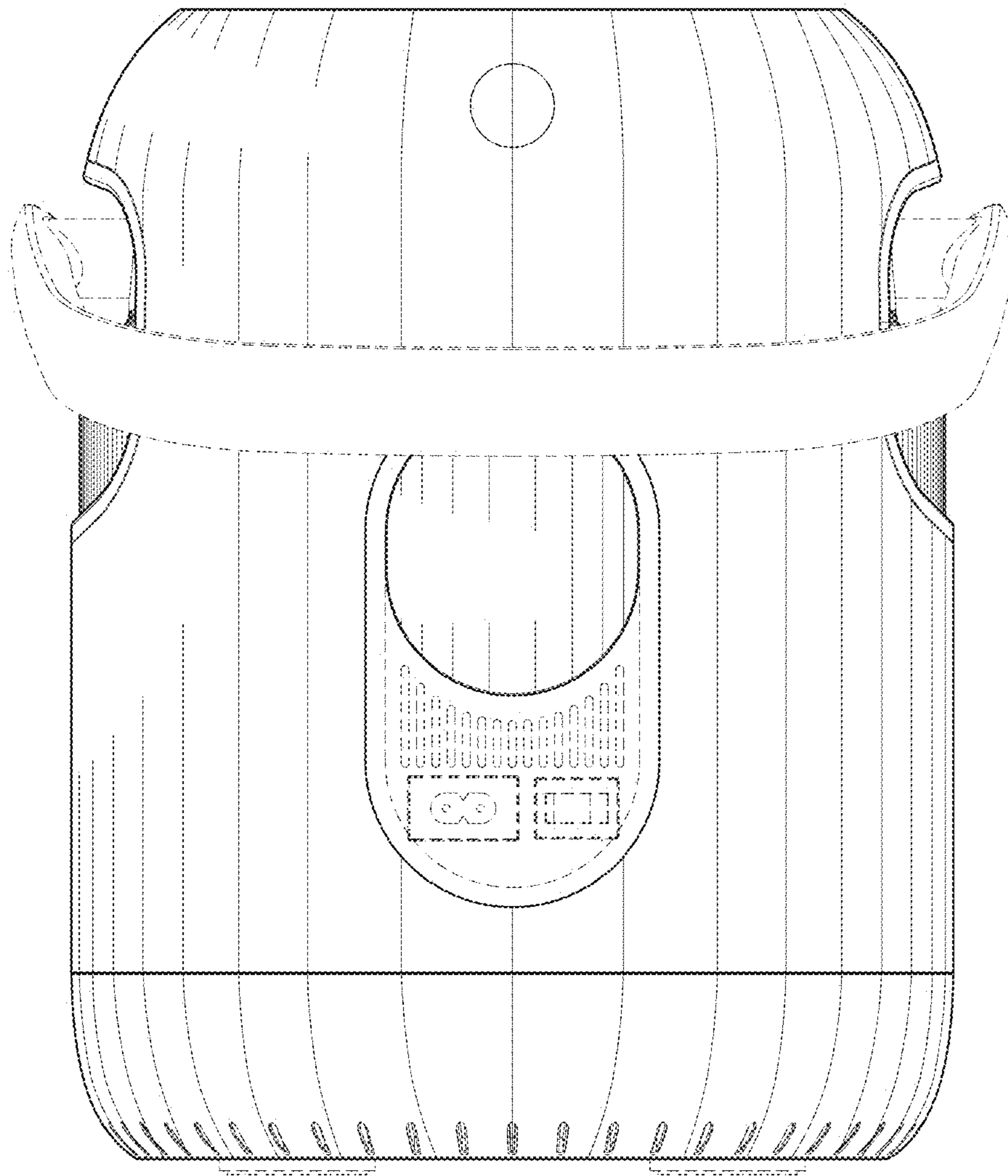


FIG. 3

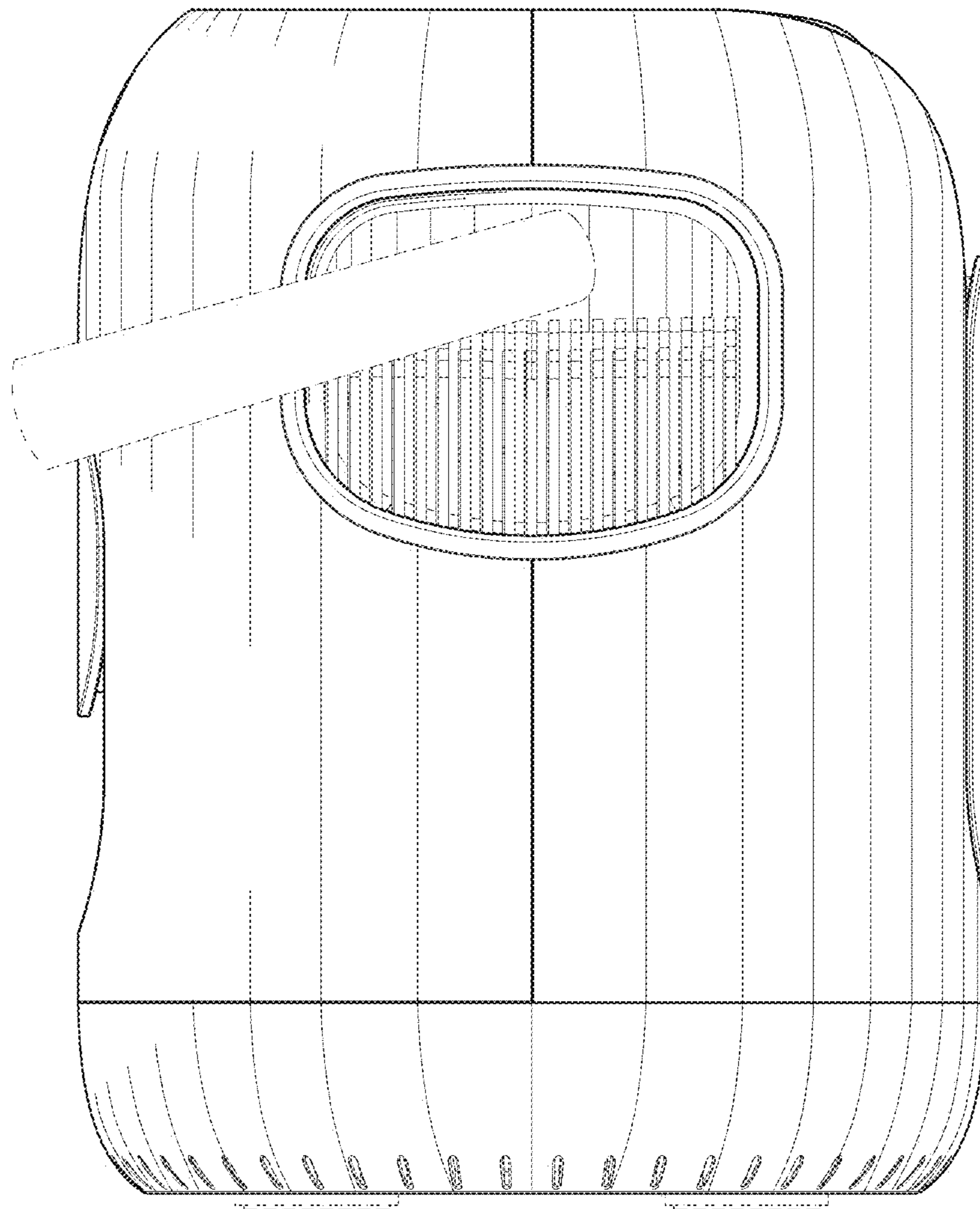


FIG. 4

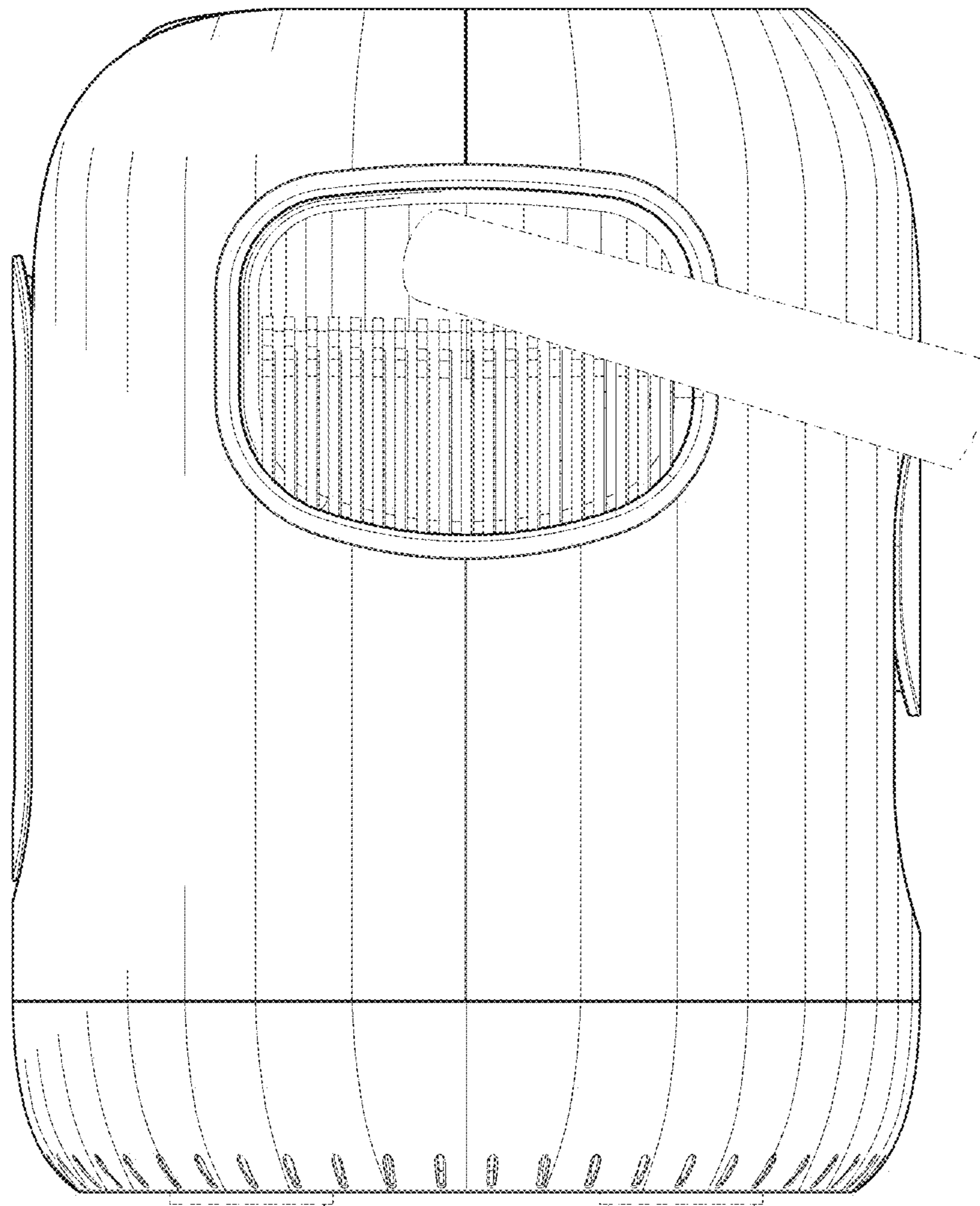


FIG. 5

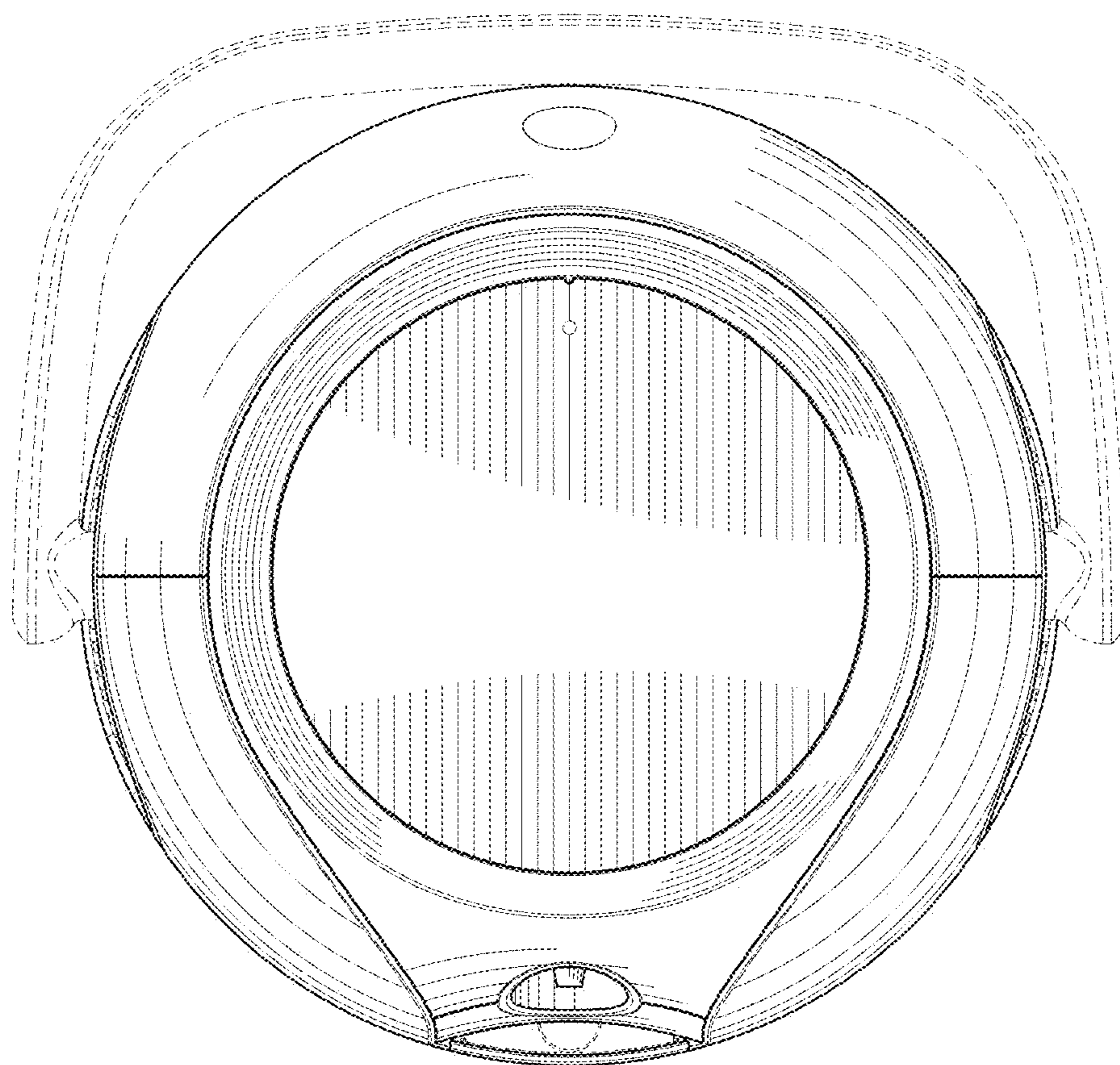


FIG. 6

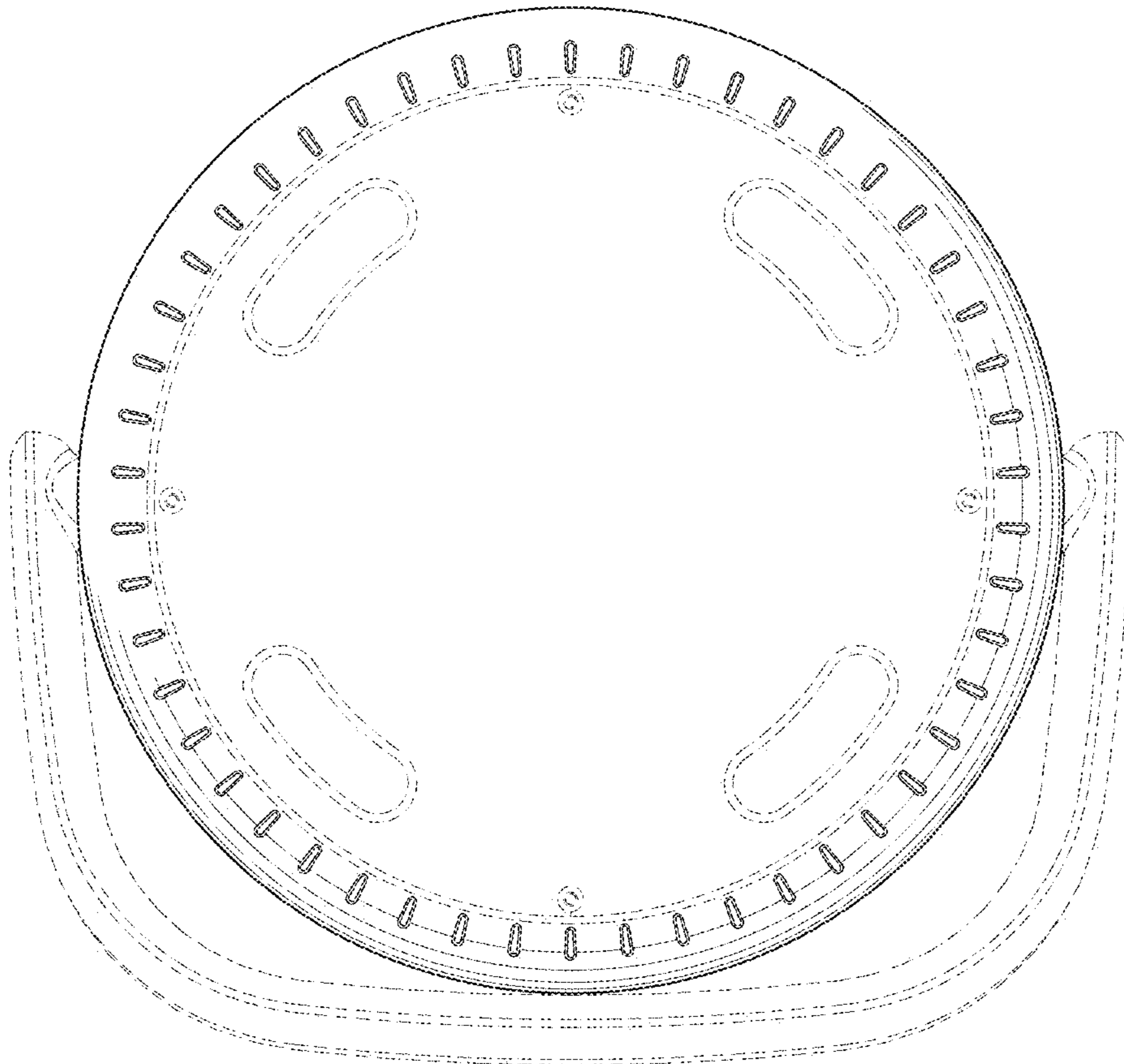


FIG. 7