



US00D970728S

(12) **United States Design Patent** (10) **Patent No.:** **US D970,728 S**  
**Szymanski** (45) **Date of Patent:** **\*\* Nov. 22, 2022**

- (54) **BUG BITE SUCTION DEVICE**
- (71) Applicant: **EVO PRODUCTS, LLC**, Miami, FL (US)
- (72) Inventor: **Aaron Szymanski**, Watertown, CT (US)
- (73) Assignee: **Evo Products, LLC**, Miami, FL (US)
- (\*\*) Term: **15 Years**
- (21) Appl. No.: **29/708,025**
- (22) Filed: **Oct. 2, 2019**
- (51) **LOC (13) Cl.** ..... **24-02**
- (52) **U.S. Cl.**  
USPC ..... **D24/130**
- (58) **Field of Classification Search**  
USPC ..... D24/127-131, 112-114, 133, 186, 118, D24/108; 606/181, 185; 604/264, 604/523-528, 272, 187, 158, 604/164.01-164.11, 181, 184, 227  
CPC ..... A61M 5/178; A61M 3/00; A61M 5/20; A61M 5/31; A61M 5/3146; A61M 5/3129; A61M 5/3148; A61M 5/315  
See application file for complete search history.

- (56) **References Cited**  
U.S. PATENT DOCUMENTS  
D202,754 S \* 11/1965 Naftolin ..... D24/114  
D238,107 S \* 12/1975 Heros ..... D8/30  
D303,010 S \* 8/1989 Jabbusch ..... D24/114  
D325,437 S \* 4/1992 Hull ..... D24/114  
D385,627 S \* 10/1997 Cook ..... D24/133  
6,575,919 B1 \* 6/2003 Reiley ..... A61B 17/8819  
604/165.01  
7,081,122 B1 \* 7/2006 Reiley ..... A61B 17/34  
604/164.01  
D543,419 S \* 5/2007 Zemel ..... D7/669  
D543,625 S \* 5/2007 Numata ..... D24/114  
D908,211 S \* 1/2021 Adhyaru ..... D24/114

- D950,721 S \* 5/2022 Howes ..... D24/130
- 2002/0169471 A1 \* 11/2002 Ferdinand ..... A61B 10/025  
606/185
- 2015/0238698 A1 \* 8/2015 Perry ..... A61M 5/31511  
604/227

**OTHER PUBLICATIONS**

Peterglenn.com website, Bite VAC Suction Tool Kit, Jun. 29, 2022, <https://www.peterglenn.com/product/bite-vac-suction-tool-kit> (Year: 2022).\*

\* cited by examiner

*Primary Examiner* — Nathan M Johnston  
(74) *Attorney, Agent, or Firm* — Dickinson Wright PLLC

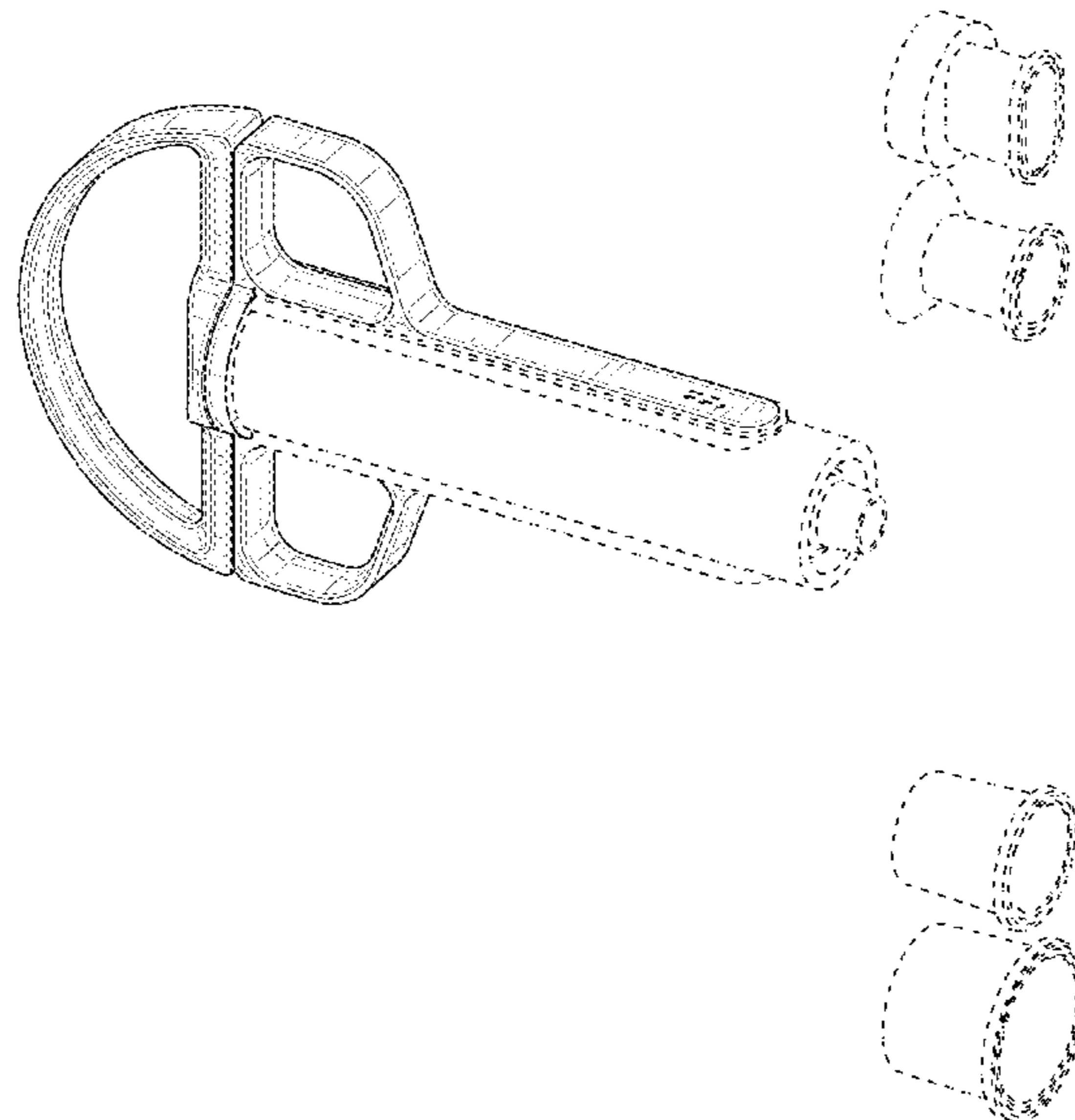
(57) **CLAIM**

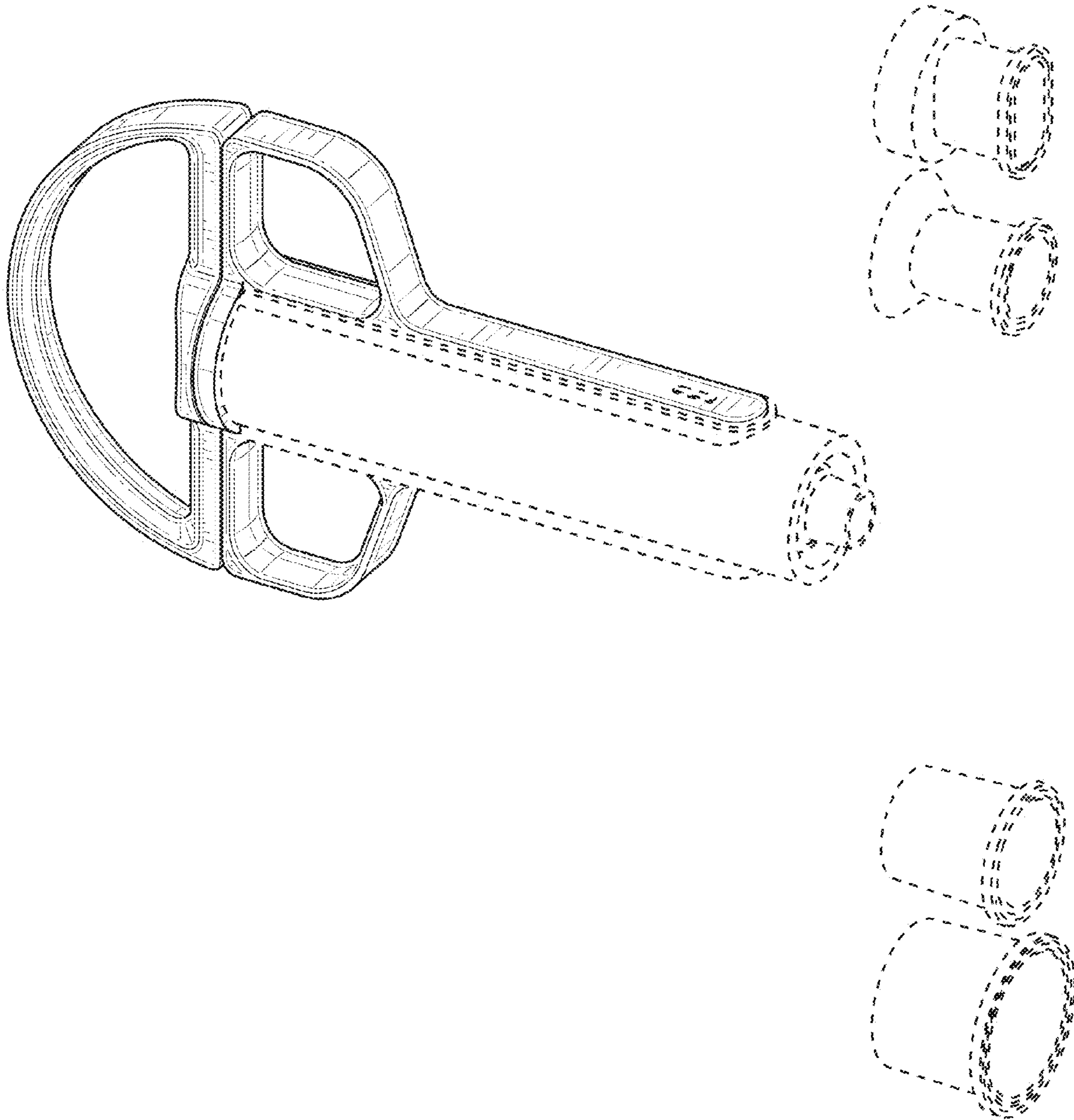
The ornamental design for a bug bite suction device, as shown and described.

**DESCRIPTION**

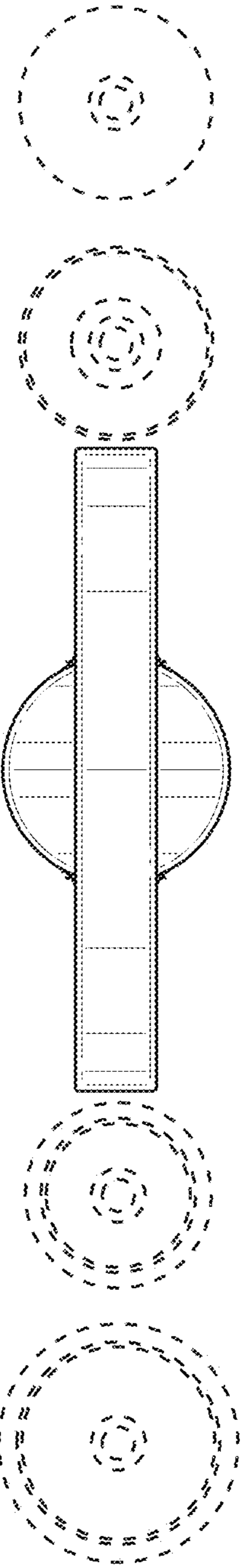
FIG. 1 is a perspective view of a bug bite suction device with a series of detachable nozzles;  
FIG. 2 is a front view of the bug bite suction device with the detachable nozzles;  
FIG. 3 is a rear view of the bug bite suction device with the detachable nozzles;  
FIG. 4 is a right side view of the bug bite suction device with the detachable nozzles;  
FIG. 5 is a left side view of the bug bite suction device with the detachable nozzles;  
FIG. 6 is a top view of the bug bite suction device with the detachable nozzles; and,  
FIG. 7 is a rear view of the bug bite suction device with the detachable nozzles.  
The broken lines in FIGS. 1-7 represents environment only and form no part of the claimed design.

**1 Claim, 7 Drawing Sheets**

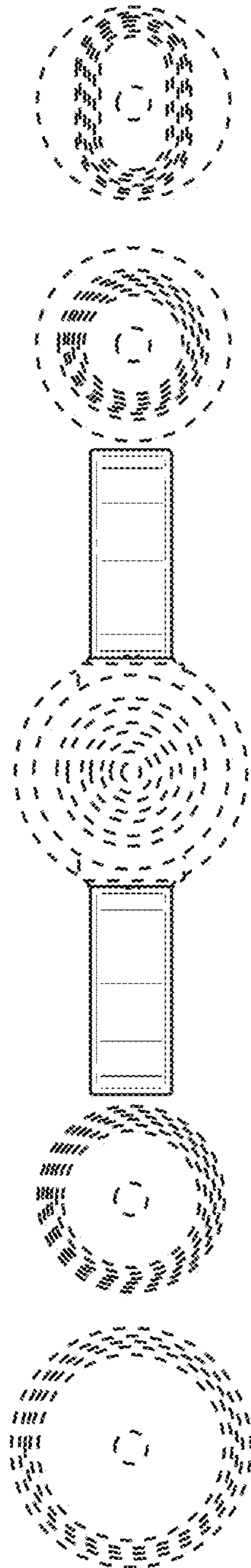




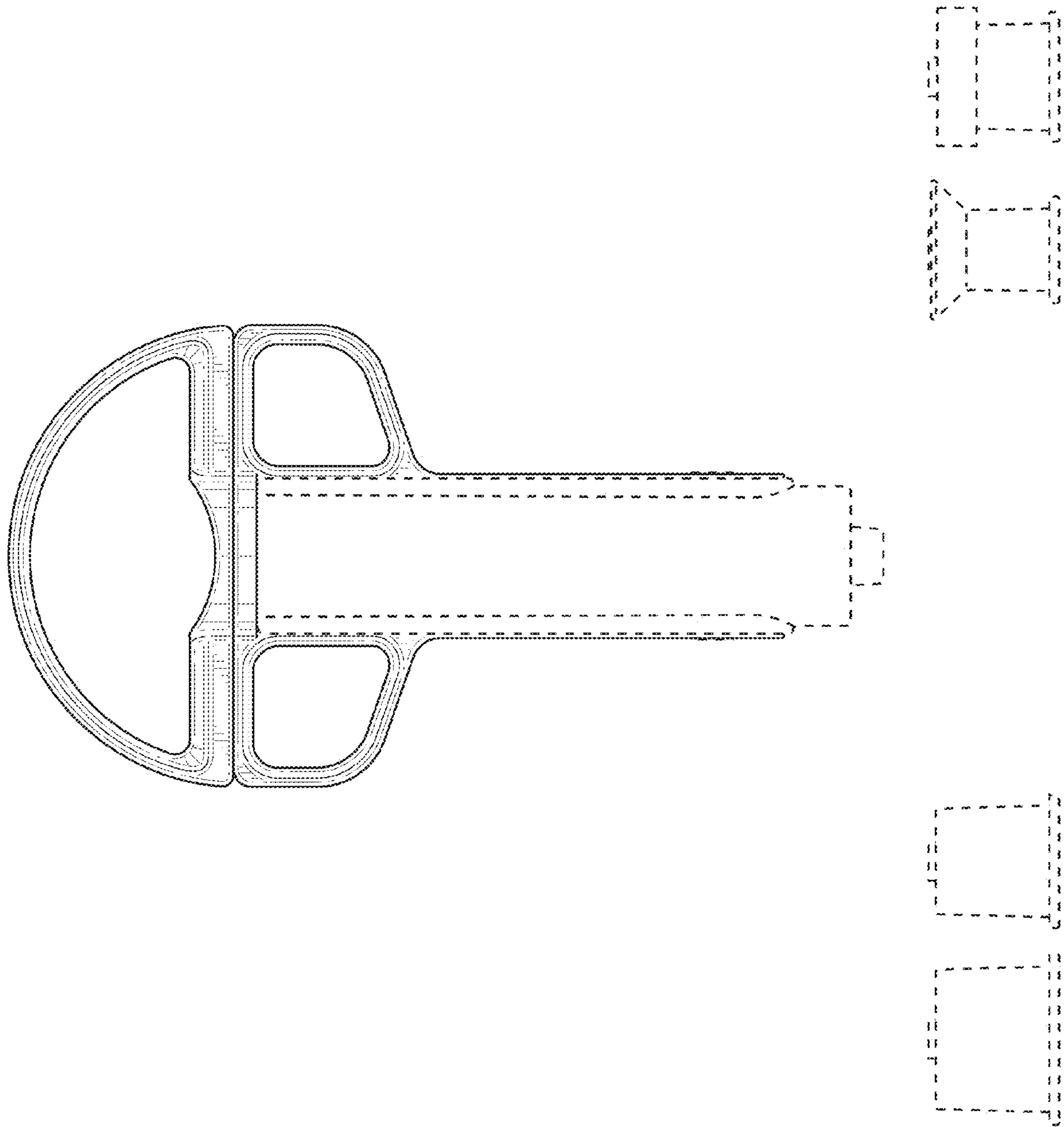
**FIG. 1**



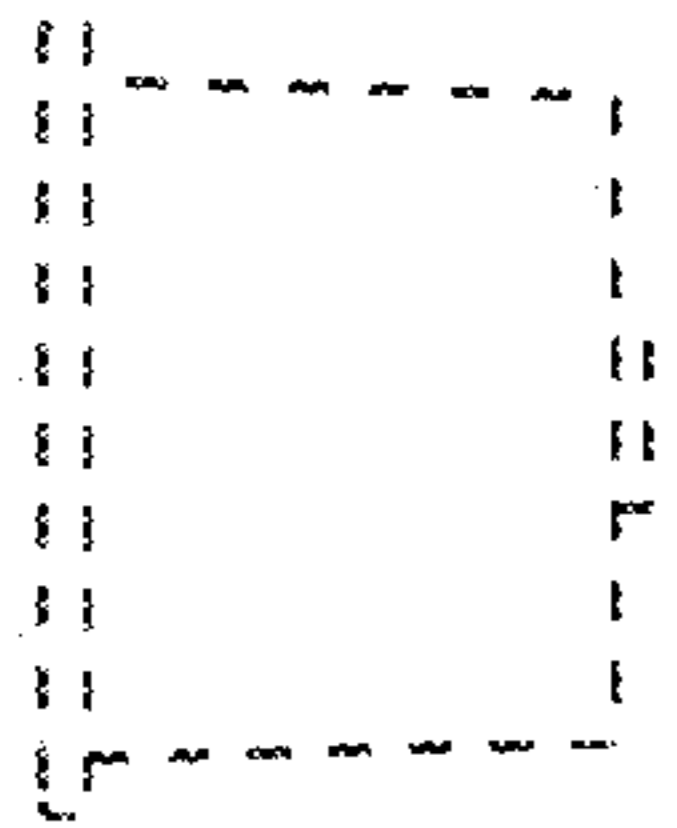
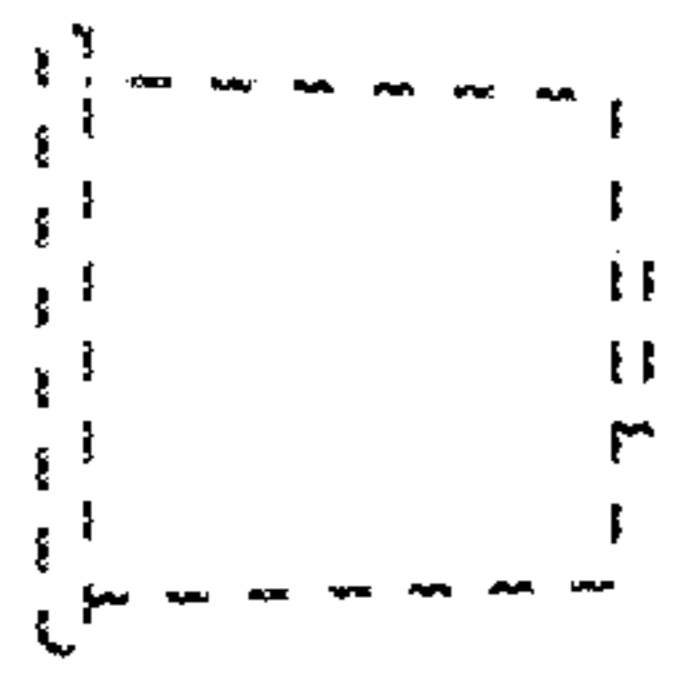
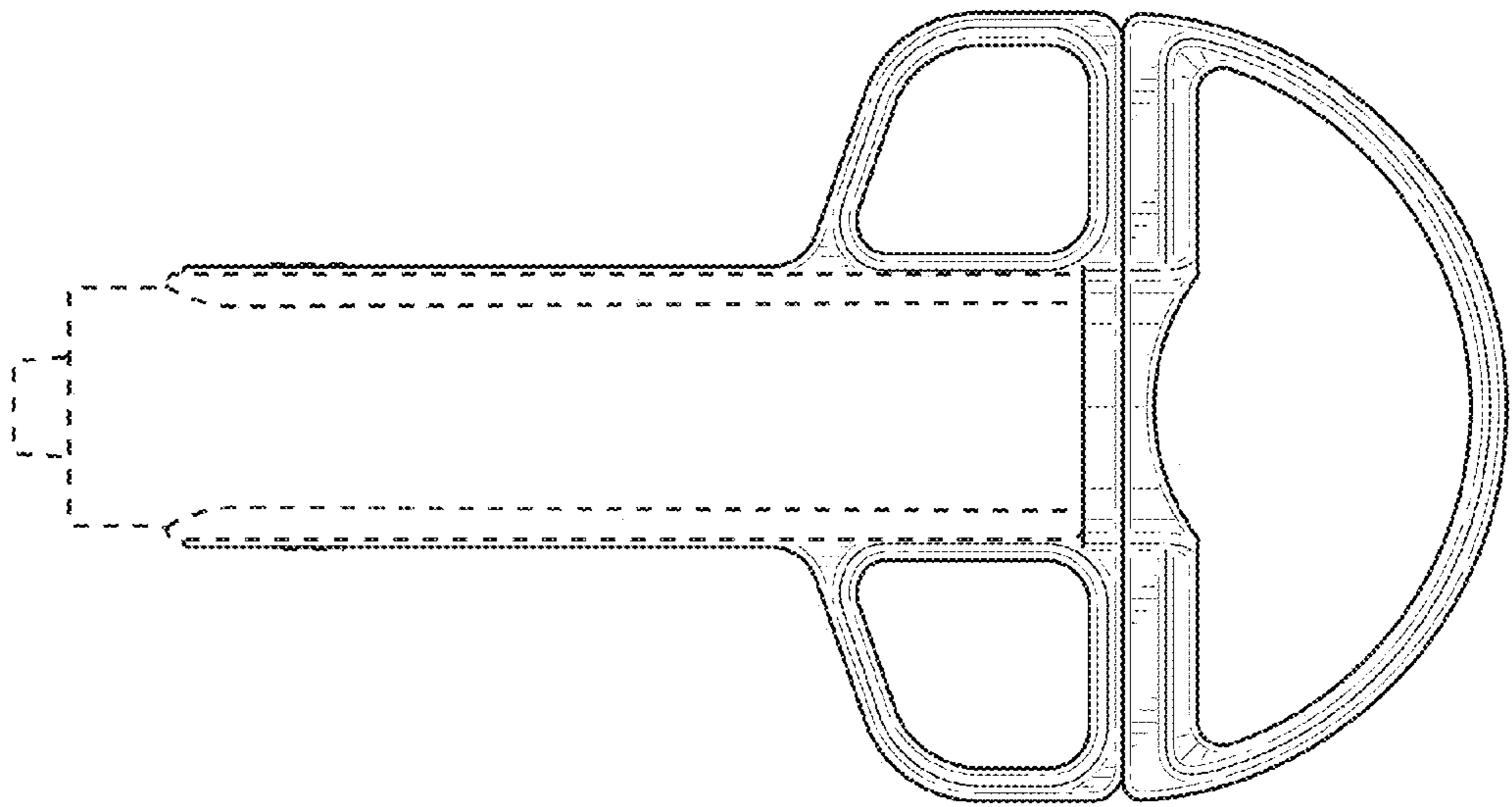
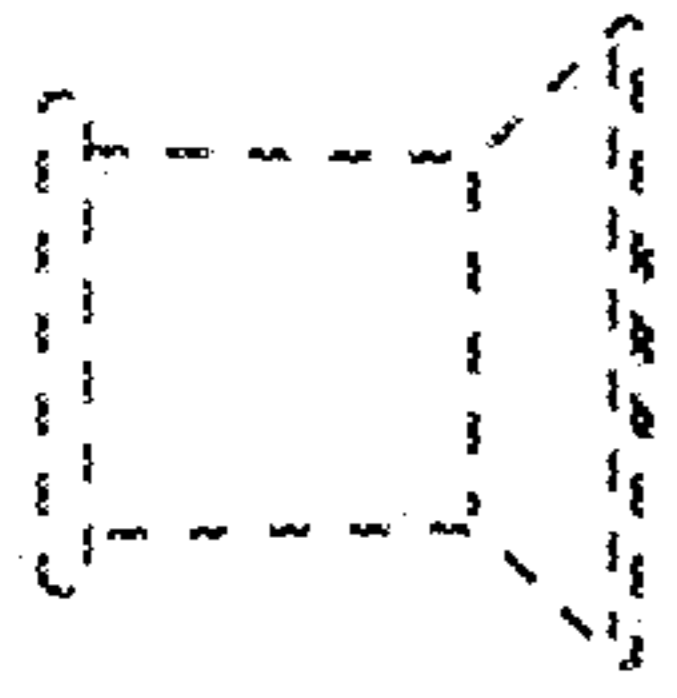
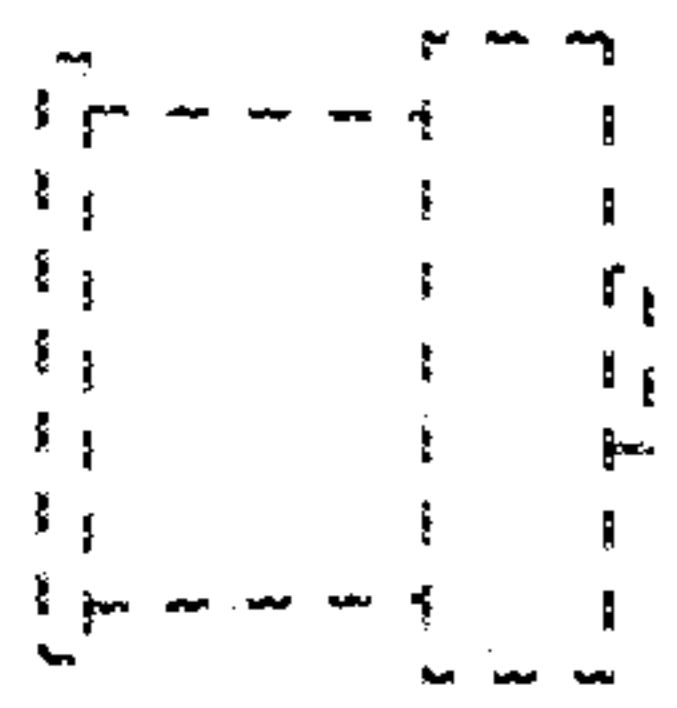
**FIG. 2**



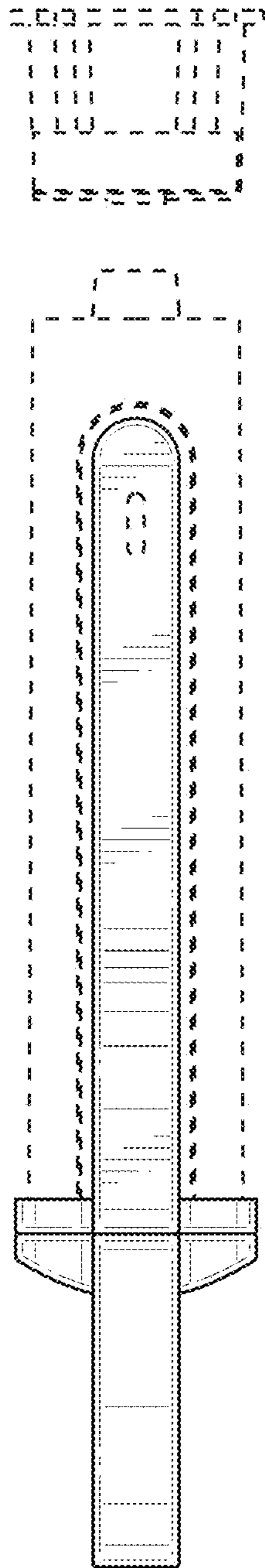
**FIG. 3**



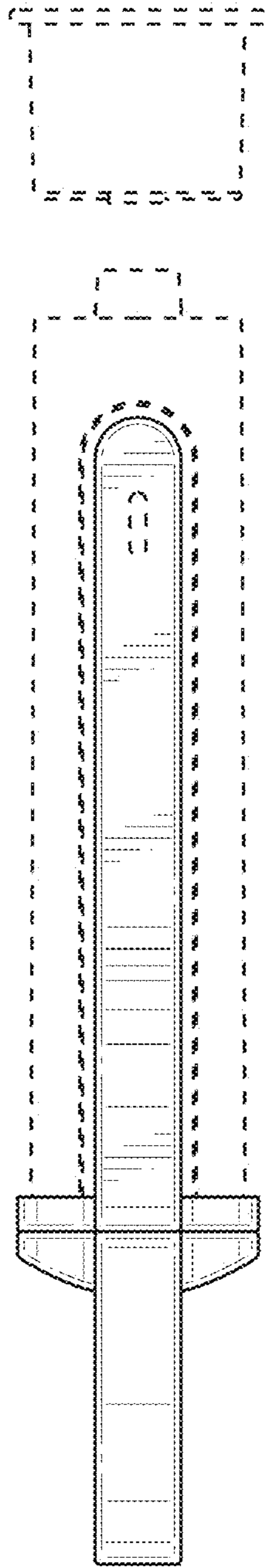
**FIG. 4**



**FIG. 5**



**FIG. 6**



**FIG. 7**