



US00D970727S

(12) **United States Design Patent** (10) **Patent No.:** **US D970,727 S**
Hassad (45) **Date of Patent:** **** Nov. 22, 2022**

(54) **INTRAVENOUS Y-SHAPED ADAPTER**

(71) Applicant: **Omar Hassad**, New Lenox, IL (US)

(72) Inventor: **Omar Hassad**, New Lenox, IL (US)

(**) Term: **15 Years**

(21) Appl. No.: **29/847,750**

(22) Filed: **Jul. 27, 2022**

(51) **LOC (13) Cl.** **24-02**

(52) **U.S. Cl.**
USPC **D24/129**

(58) **Field of Classification Search**
USPC D24/108, 112, 127, 129, 130
CPC A62B 18/10; A62B 9/04; A61M 39/10;
A61M 27/006; A61M 2005/1623; A61M
1/86; A61M 1/02; A61M 1/84; A61M
16/0833

See application file for complete search history.

(56) **References Cited**

U.S. PATENT DOCUMENTS

D329,495	S *	9/1992	Kotake	D24/129
5,352,215	A	10/1994	Thome et al.		
D445,182	S	7/2001	Haynes		
D530,815	S *	10/2006	Murphy	D24/111
7,744,581	B2	6/2010	Wallén et al.		
D673,673	S *	1/2013	Wang	D24/129
D673,674	S *	1/2013	Ho	D24/129
8,491,563	B2	7/2013	Wallén		
D691,717	S *	10/2013	McLean	D24/129
D720,850	S *	1/2015	Hsia	D24/130

(Continued)

FOREIGN PATENT DOCUMENTS

FR	2267801	10/1976
WO	DM/087 651	11/2015
WO	DM/102 796	9/2018

OTHER PUBLICATIONS

Medicalexpo, "Y Infusion Connector", Access Date: Sep. 20, 2022.
<https://www.medicalexpo.com/prod/asomedica-co-ltd/product-305066-1030814.html> (Year: 2022).*

(Continued)

Primary Examiner — Michael A Maharajh

(57) **CLAIM**

The ornamental design for an intravenous Y-shaped adapter, as shown and described.

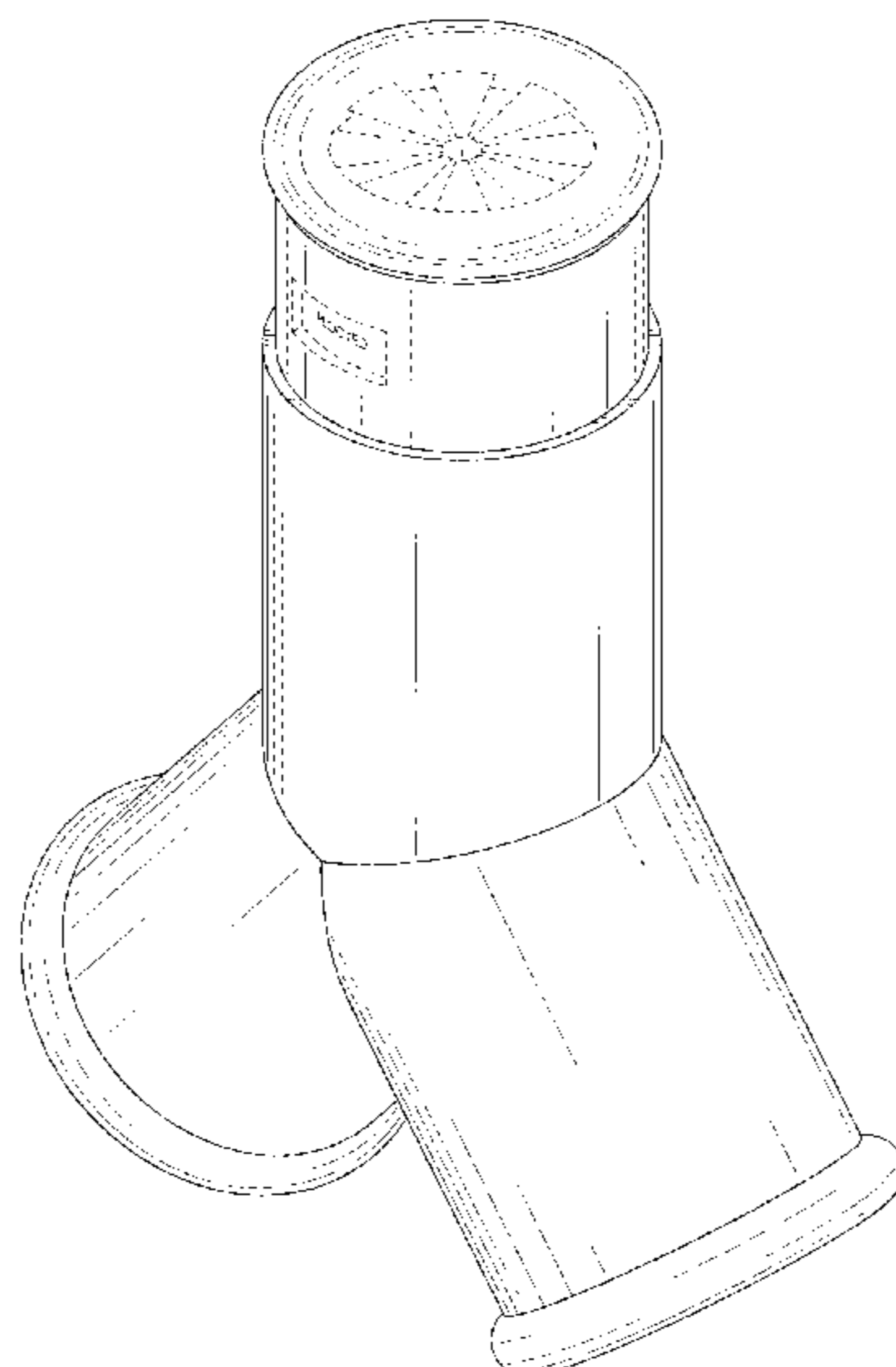
DESCRIPTION

FIG. 1 is a top front perspective view of an intravenous Y-shaped adapter showing my new design; FIG. 2 is a bottom rear perspective view thereof; FIG. 3 is a front elevational view thereof; FIG. 4 is a rear elevational view thereof; FIG. 5 is a top plan view thereof; FIG. 6 is a bottom plan view thereof; FIG. 7 is a right elevational view thereof; FIG. 8 is a left elevational view thereof; FIG. 9 is a cross-sectional view taken along line 9-9 in FIG. 8;

FIG. 10 is a reduced top front perspective view thereof, wherein the intravenous Y-shaped adapter is shown with a pair of universal vial fasteners and snap cap vial adapters; FIG. 11 is a bottom rear perspective view thereof; FIG. 12 is a right elevational view thereof; and, FIG. 13 is a cross-sectional view taken along line 13-13 in FIG. 12.

The broken lines showing a twist-lock flow mechanism in FIGS. 1, 5, 9-10, and 13, and the broken lines showing a pair of universal vial fasteners and snap cap vial adapters in FIGS. 10-13 are included for the purpose of illustrating environmental structure and form no part of the claimed design. The rectangular shaped area shown in broken lines in FIGS. 1, 3, 7, 8, 10, and 12 are for the purpose of illustrating portions of the intravenous Y-shaped adapter and form no part of the claimed design.

1 Claim, 13 Drawing Sheets



(56)

References Cited

U.S. PATENT DOCUMENTS

D747,473 S 1/2016 Martin et al.
9,550,024 B2 1/2017 Hanner et al.
D878,549 S * 3/2020 Wilson D24/112
D899,590 S * 10/2020 Gulliver D24/129
D916,276 S * 4/2021 Wilson D24/112
D923,812 S 6/2021 Ben Shalom
D936,825 S * 11/2021 VanPelt D24/129
2016/0143815 A1 5/2016 Koelper et al.
2017/0087297 A1 3/2017 Hanner et al.

OTHER PUBLICATIONS

Medicalexpo, "Y Infusion Connector 1900", Access Date: Sep. 20, 2022. <https://www.medicalexpo.com/prod/rothacher-medical-gmbh/product-125783-905851.html> (Year: 2022).*

Fishersci, "Thermo Scientific Tubing Y Type Connectors", Access Date: Sep. 20, 2022. <https://www.fishersci.com/shop/products/nalgene-tubing-y-type-connectors/1532010A> (Year: 2022).*

Catalog.promepla, "3 Way Y Connector", Access Date Sep. 20, 2022. <https://catalog.promepla.com/promepla-component/aga04410> (Year: 2022).*

* cited by examiner

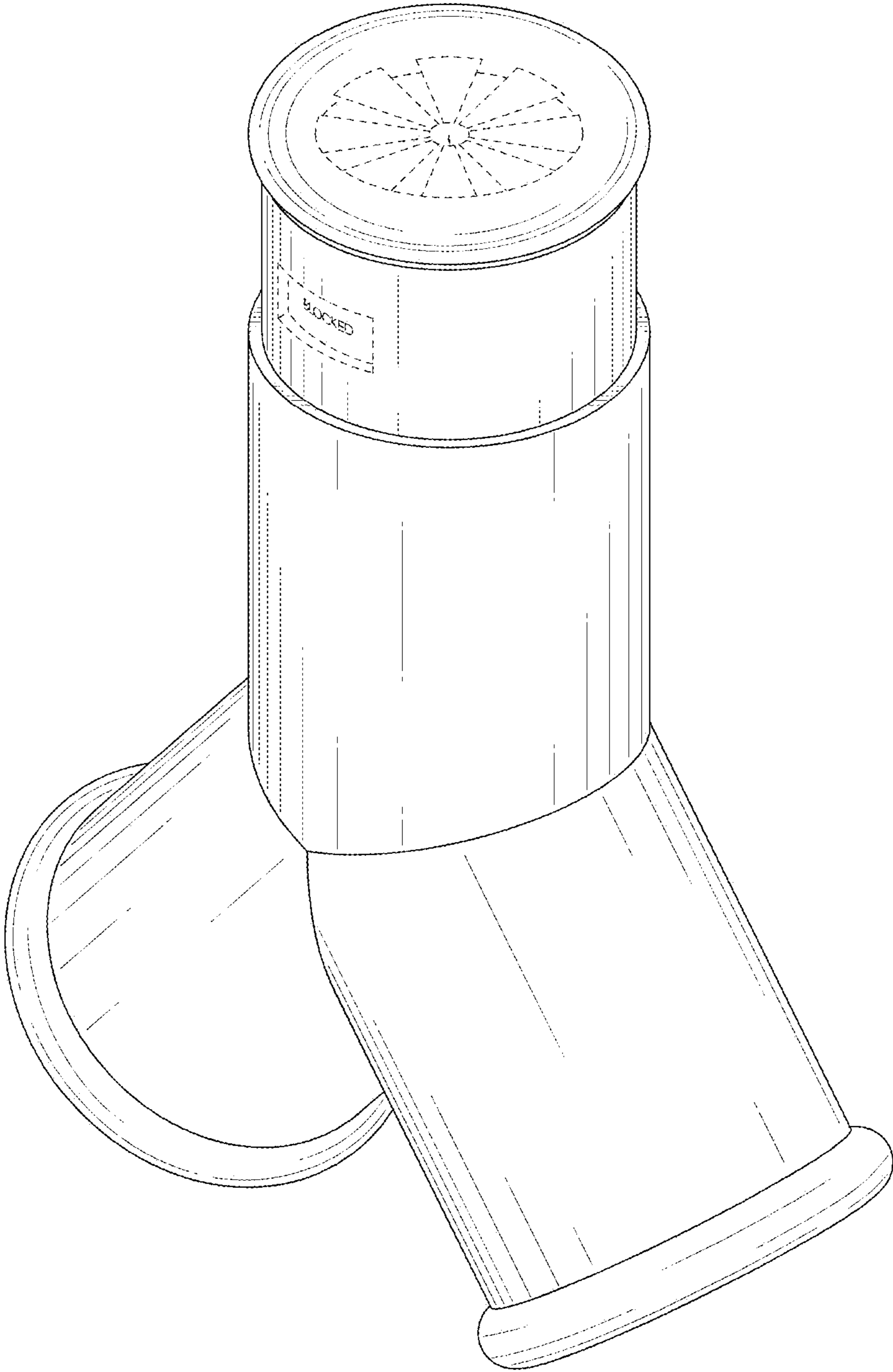


FIG. 1

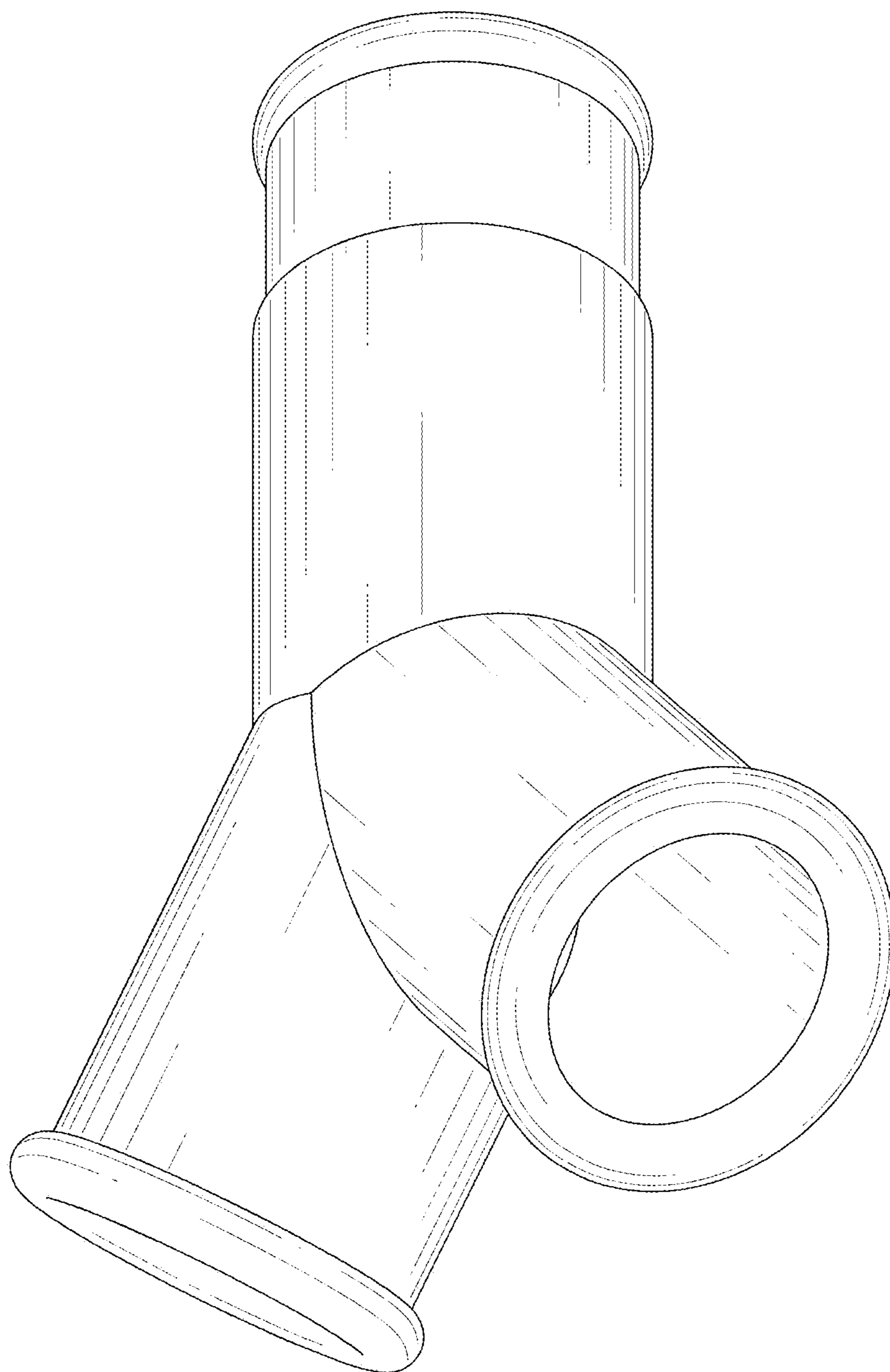


FIG. 2

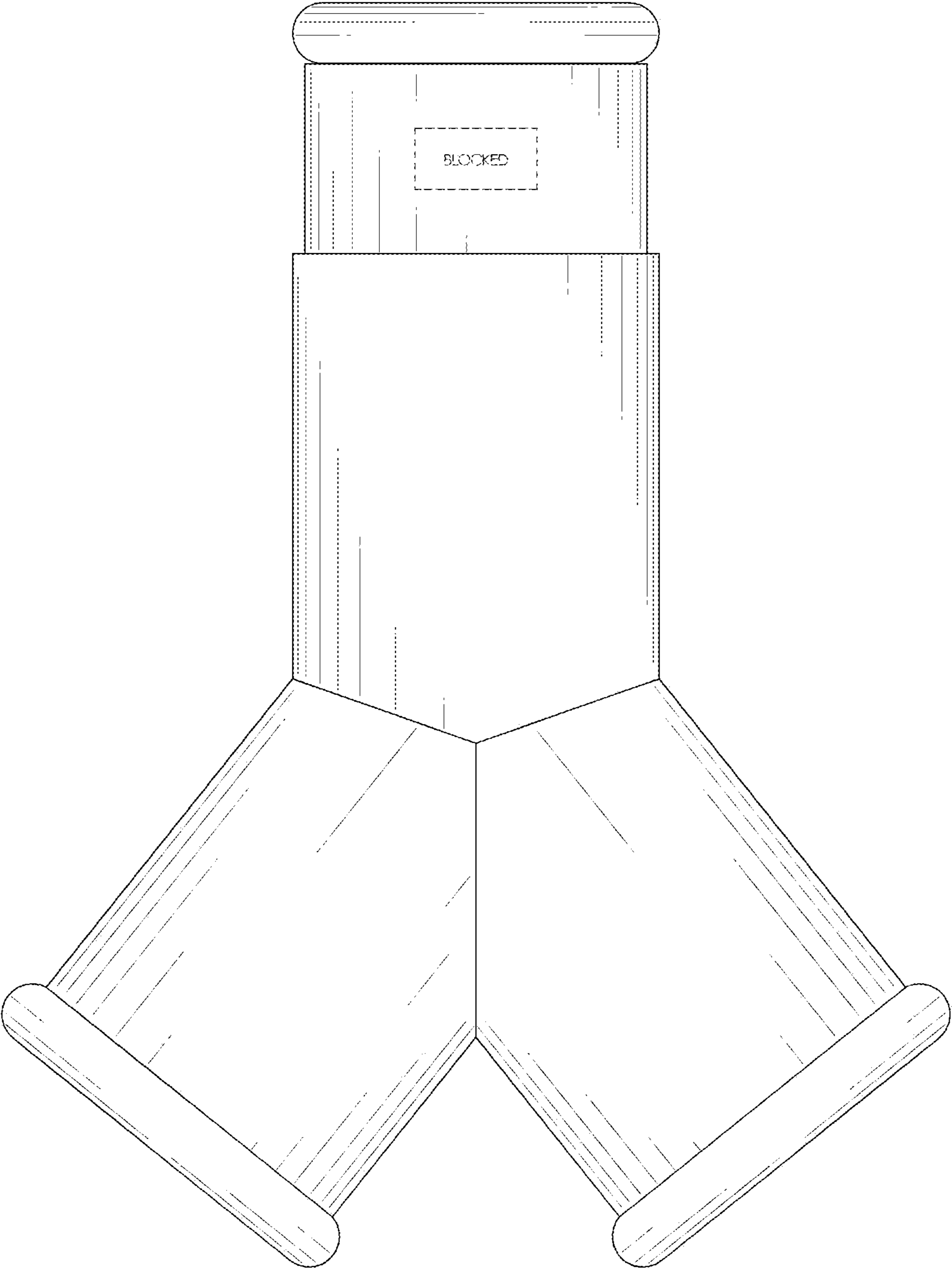


FIG. 3

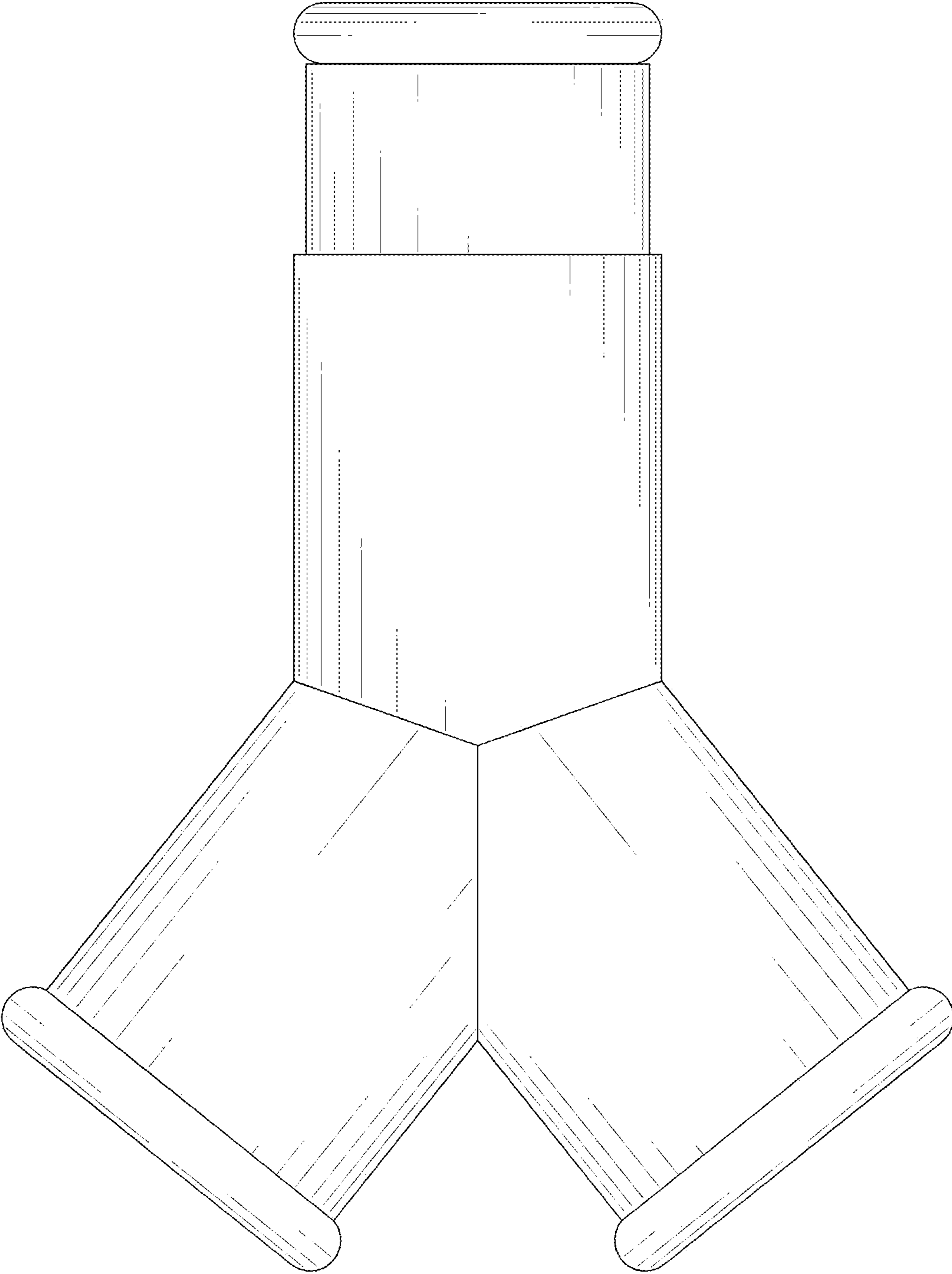


FIG. 4

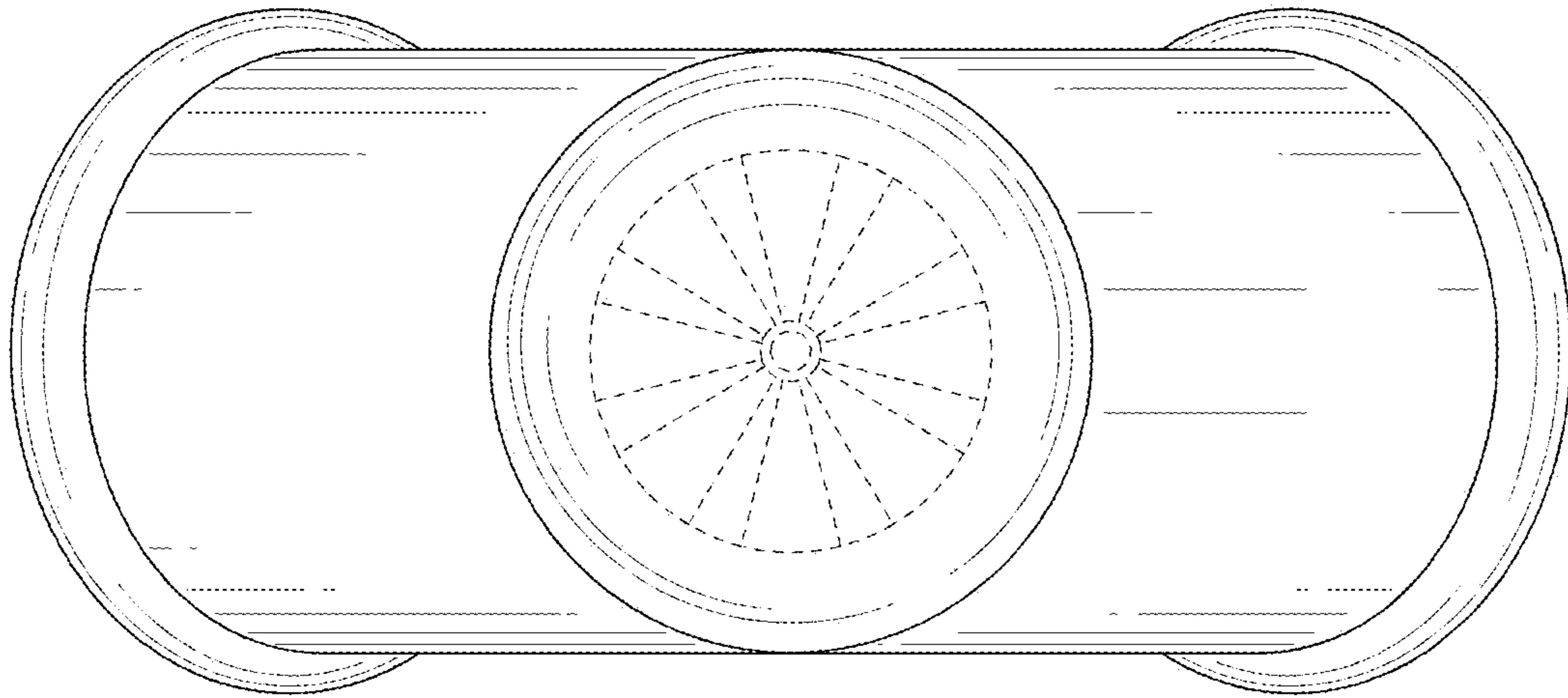


FIG. 5

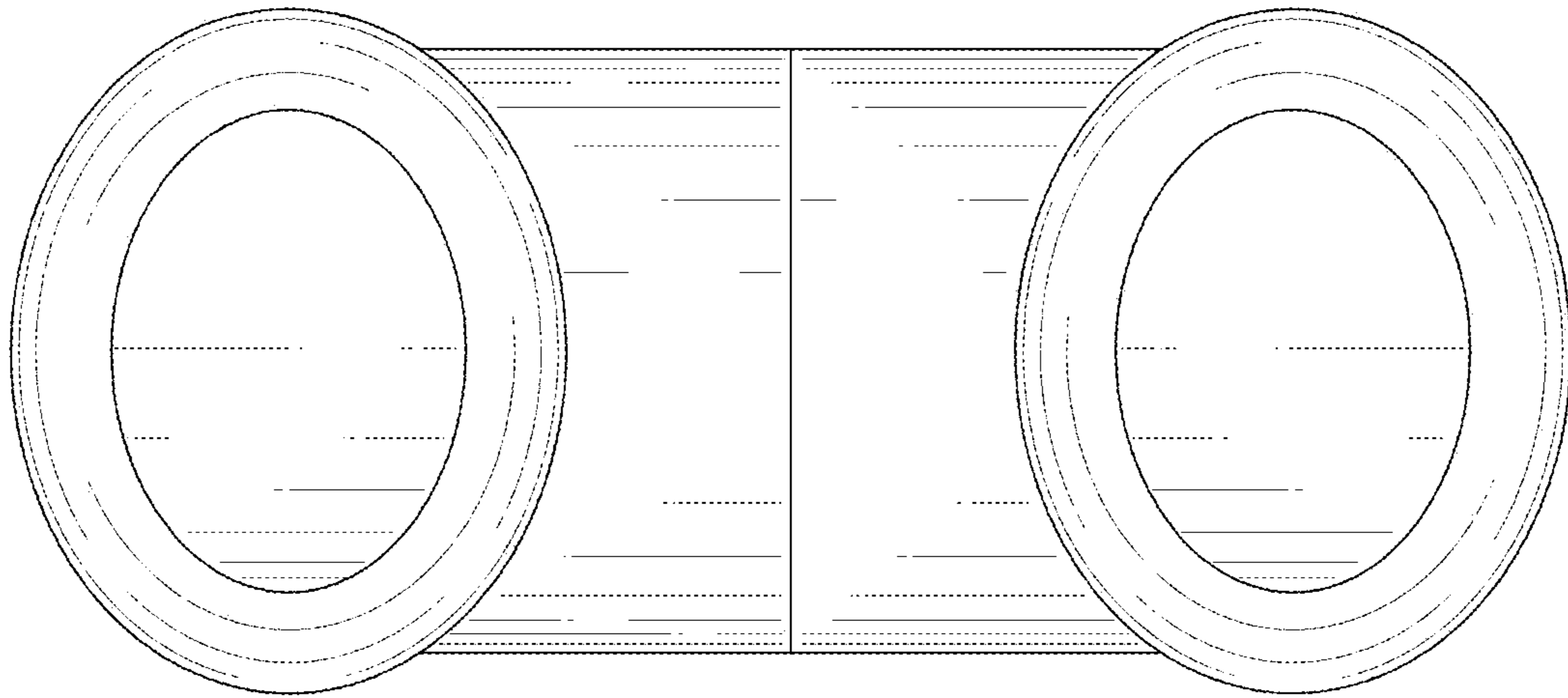


FIG. 6

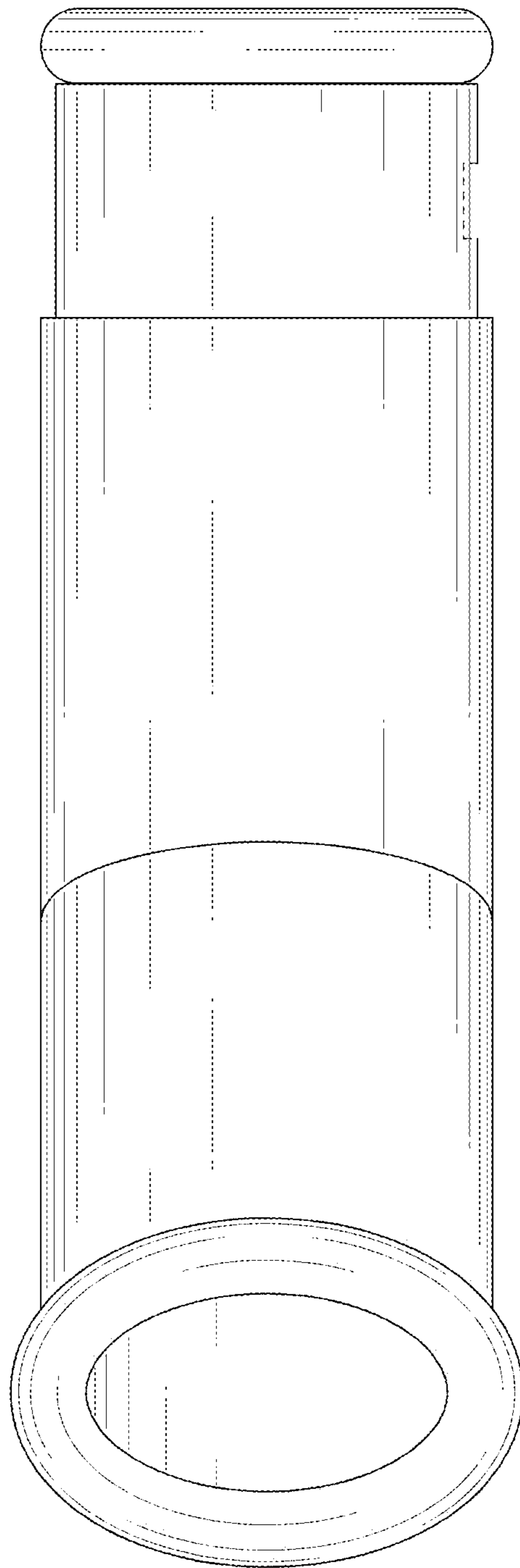


FIG. 7

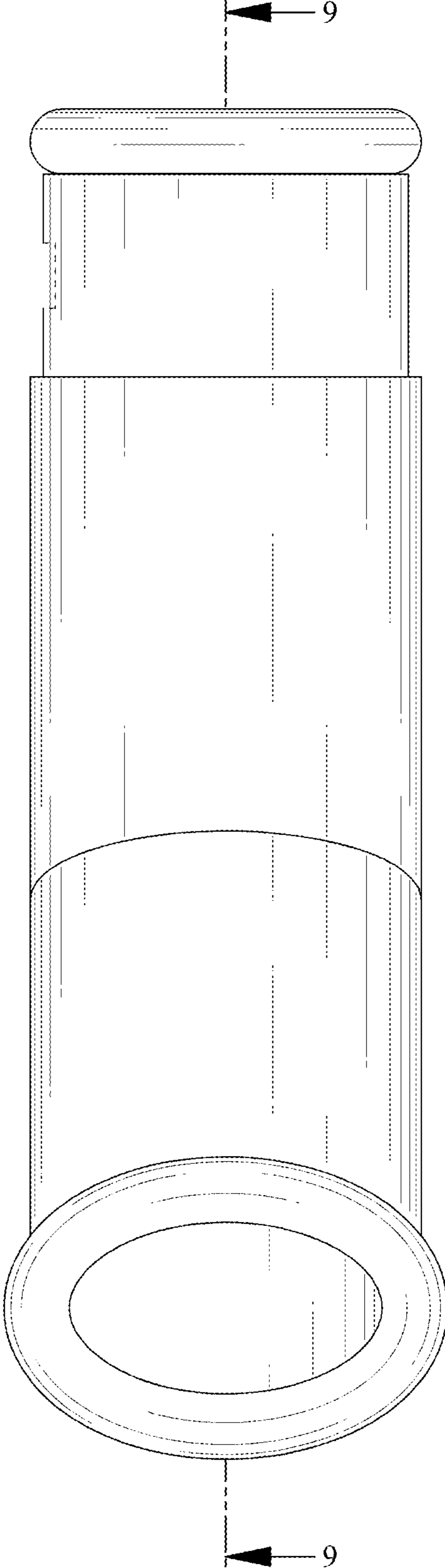


FIG. 8

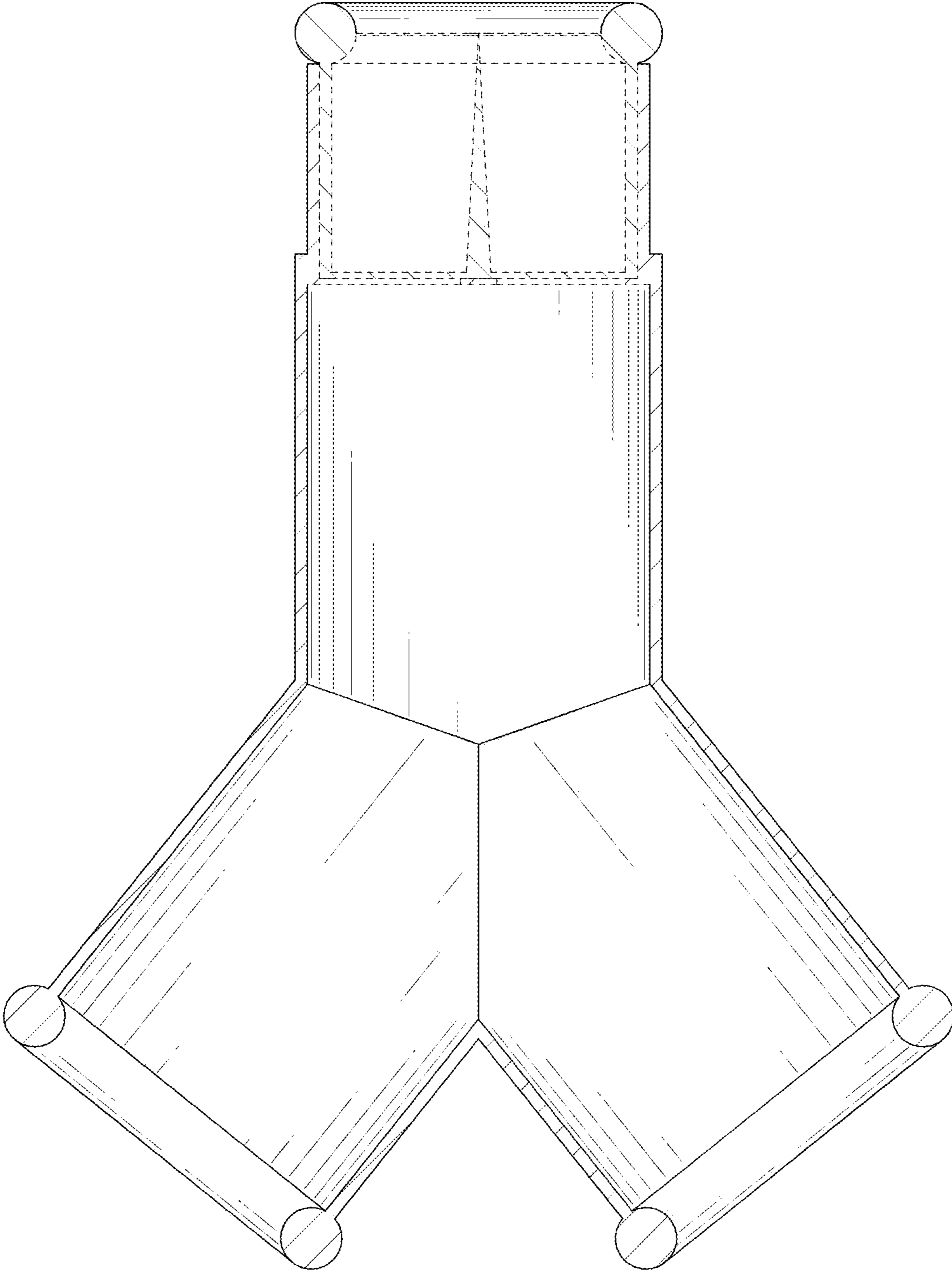


FIG. 9

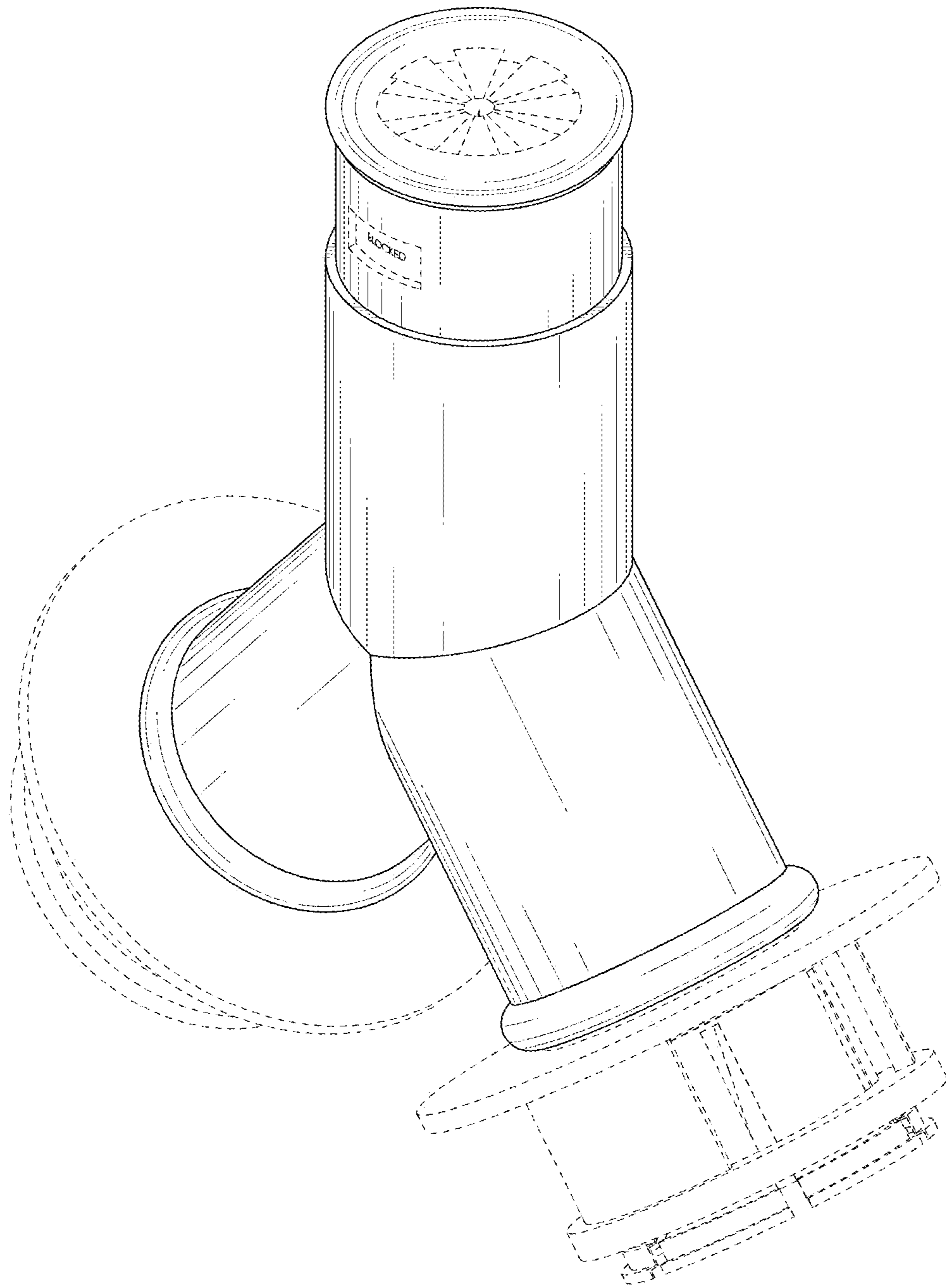


FIG. 10

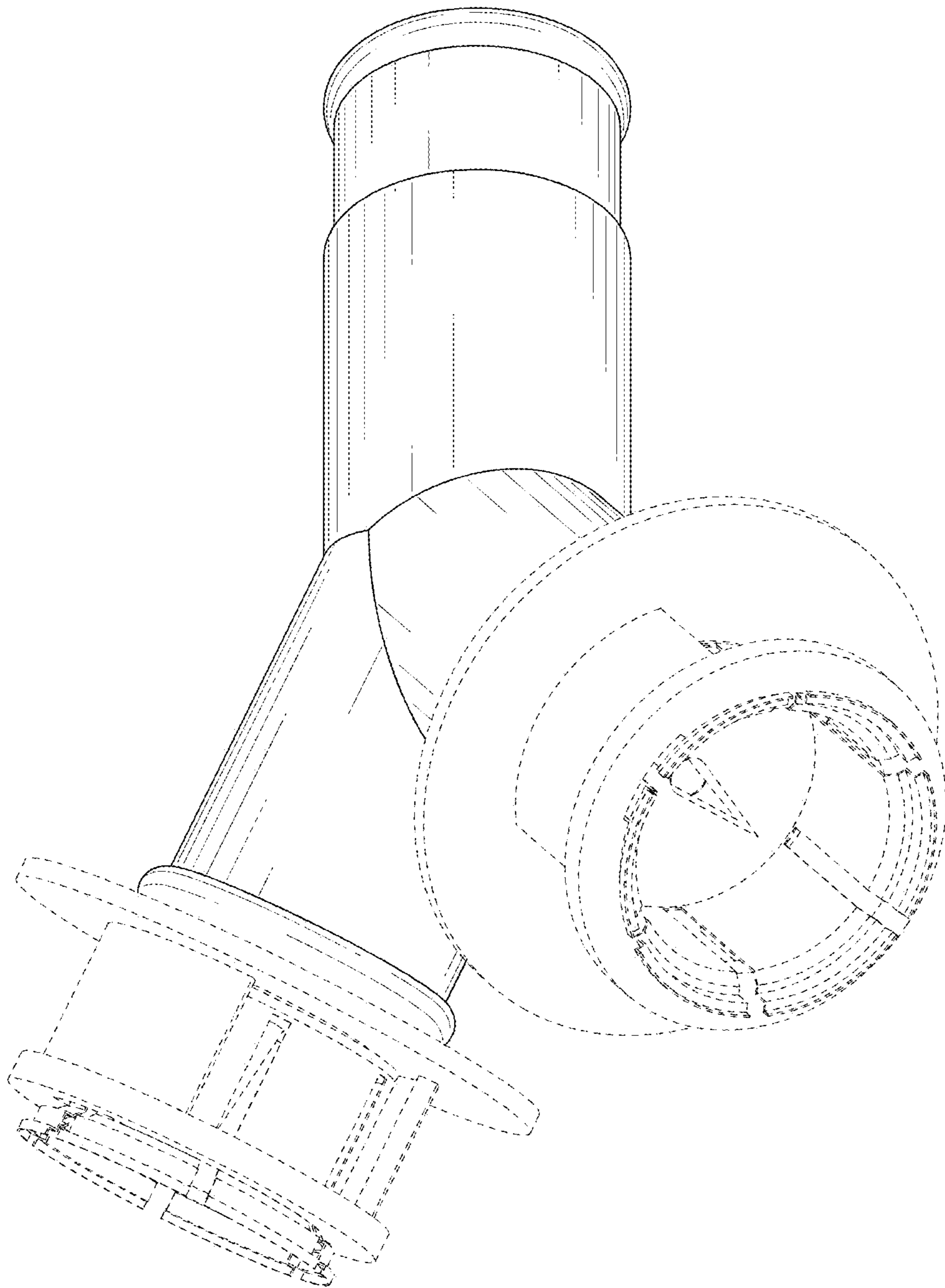


FIG. 11

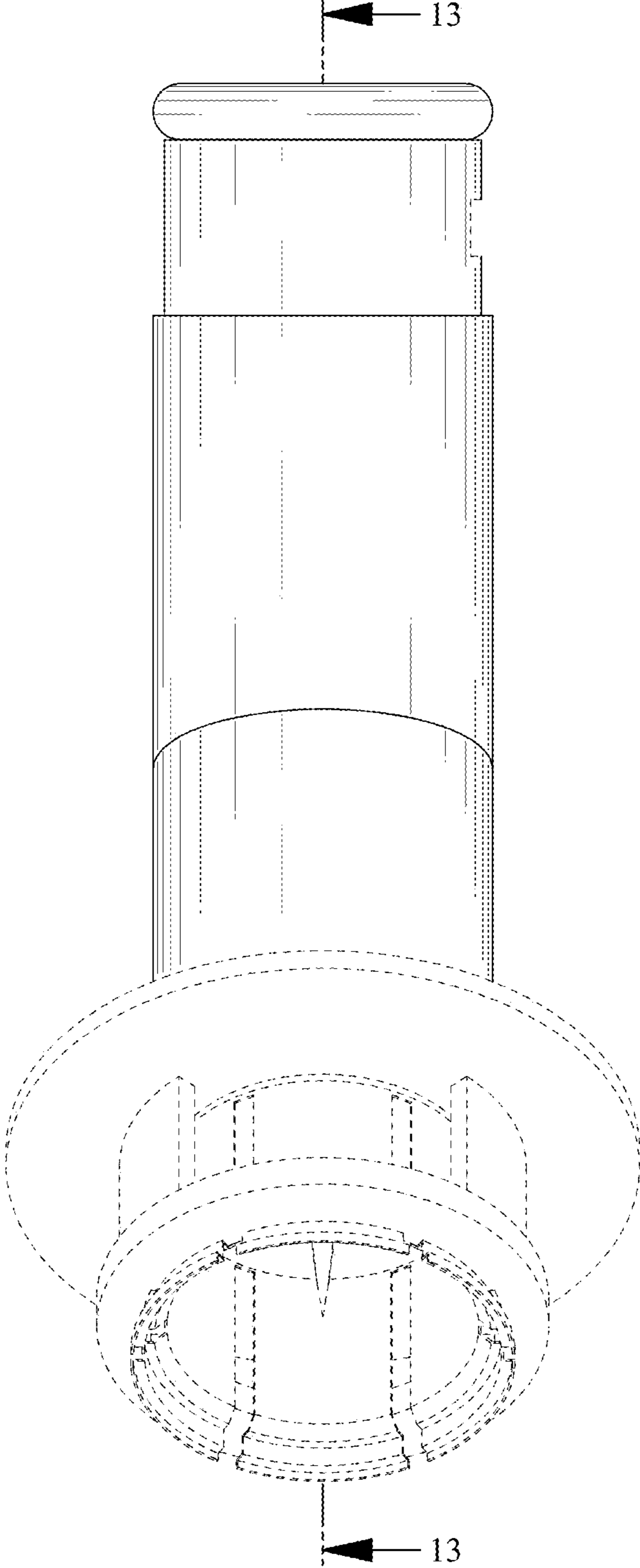


FIG. 12

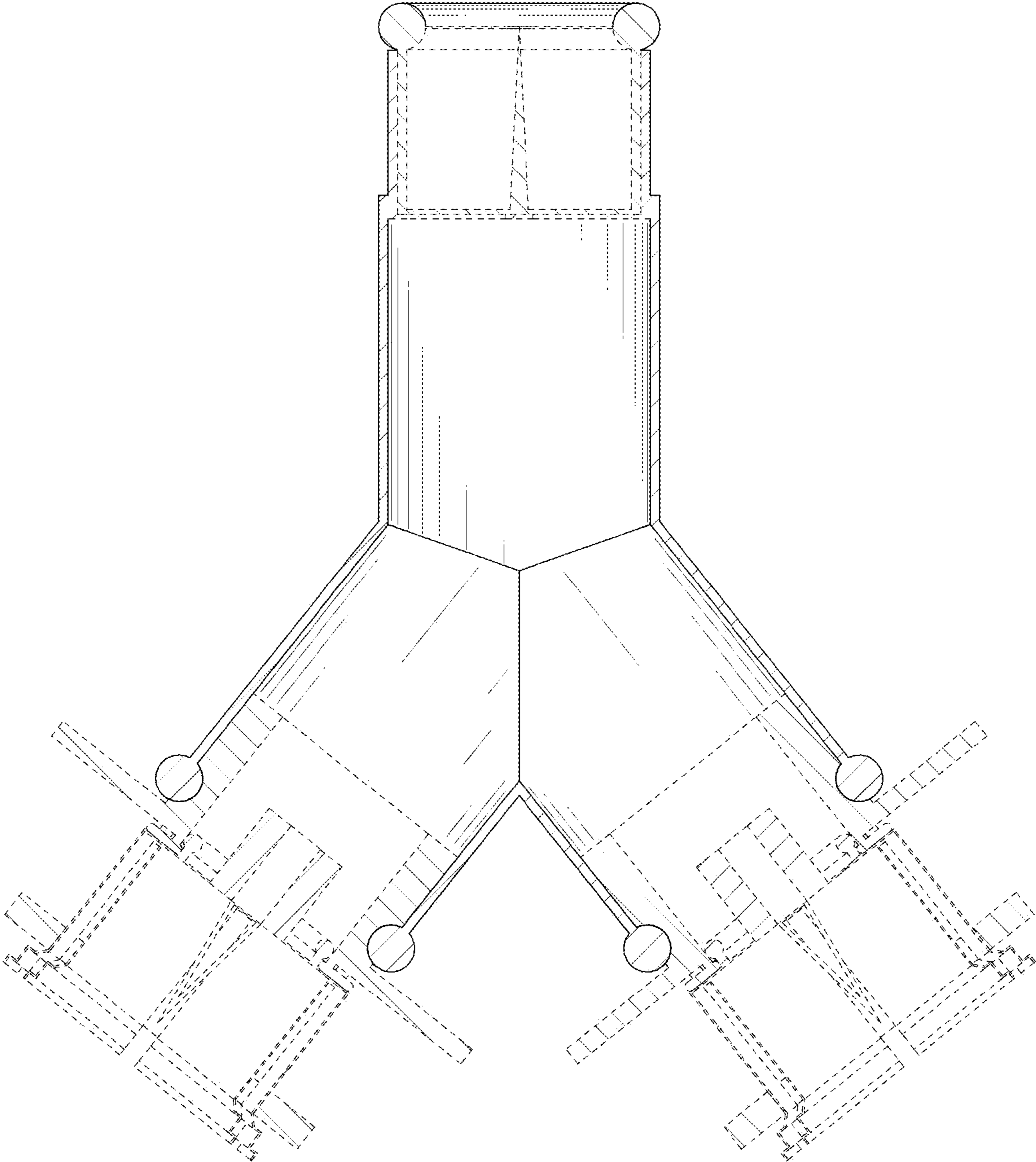


FIG. 13