

US00D970726S

(12) **United States Design Patent**
Moureaux et al.

(10) **Patent No.:** **US D970,726 S**
(45) **Date of Patent:** **** Nov. 22, 2022**

(54) **HOLDING DEVICE FOR MEDICAL BAGS**

(71) Applicant: **TECHNOFLEX**, Bidart (FR)

(72) Inventors: **Florent Moureaux**, Bidart (FR);
Fabien Pruvot, Saint Pee sur Nivelles (FR)

(**) Term: **15 Years**

(21) Appl. No.: **35/512,111**

(22) Filed: **May 5, 2021**

(80) **Hague Agreement Data**

Int. Filing Date: **May 5, 2021**

Int. Reg. No.: **DM/214844**

Int. Reg. Date: **May 5, 2021**

Int. Reg. Pub. Date: **Jul. 2, 2021**

(51) **LOC (13) Cl.** **24-02**

(52) **U.S. Cl.**
USPC **D24/128**

(58) **Field of Classification Search**
USPC D24/227, 228, 229, 231; D8/354, 356,
D8/357

See application file for complete search history.

(56) **References Cited**

U.S. PATENT DOCUMENTS

2,397,291 A * 3/1946 Robertson F16L 3/223
D8/356
4,579,310 A * 4/1986 Wells H04M 1/0293
248/68.1

5,046,624 A * 9/1991 Murphy A61B 50/20
D24/227
5,067,677 A * 11/1991 Miceli H02G 3/26
D8/356
D378,408 S * 3/1997 Pyeatt D8/356
5,836,130 A * 11/1998 Unruh F16L 3/223
52/712
D657,460 S * 4/2012 Uhlenkamp D24/128
D657,869 S * 4/2012 Mammen D24/128

* cited by examiner

Primary Examiner — Michael A. Pratt

(57) **CLAIM**

The ornamental design for a holding device for medical bags, as shown and described.

DESCRIPTION

1. Holding device for medical bags

1.1 : Isometric

1.2 : Front

1.3 : Right

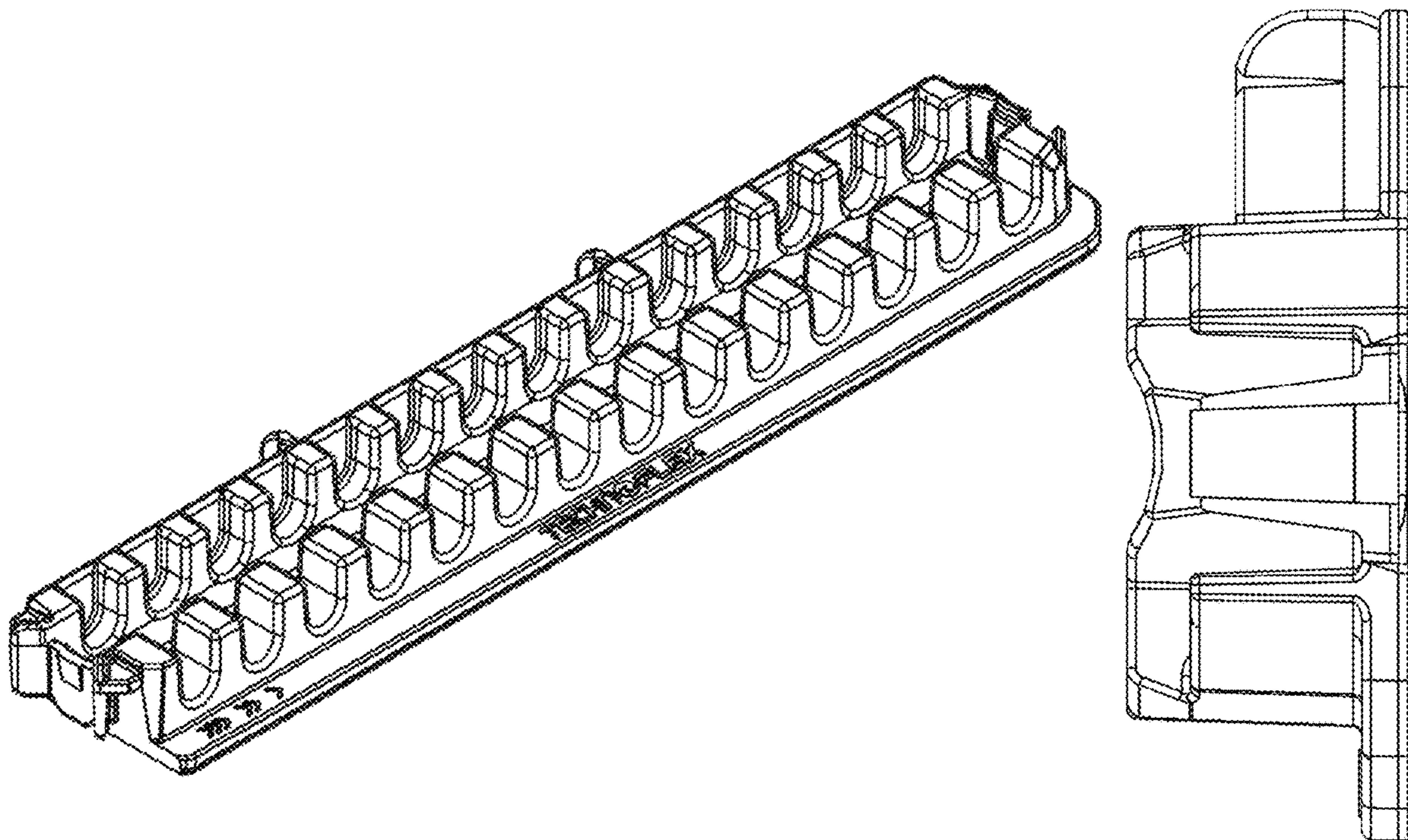
1.4 : Left

1.5 : Back

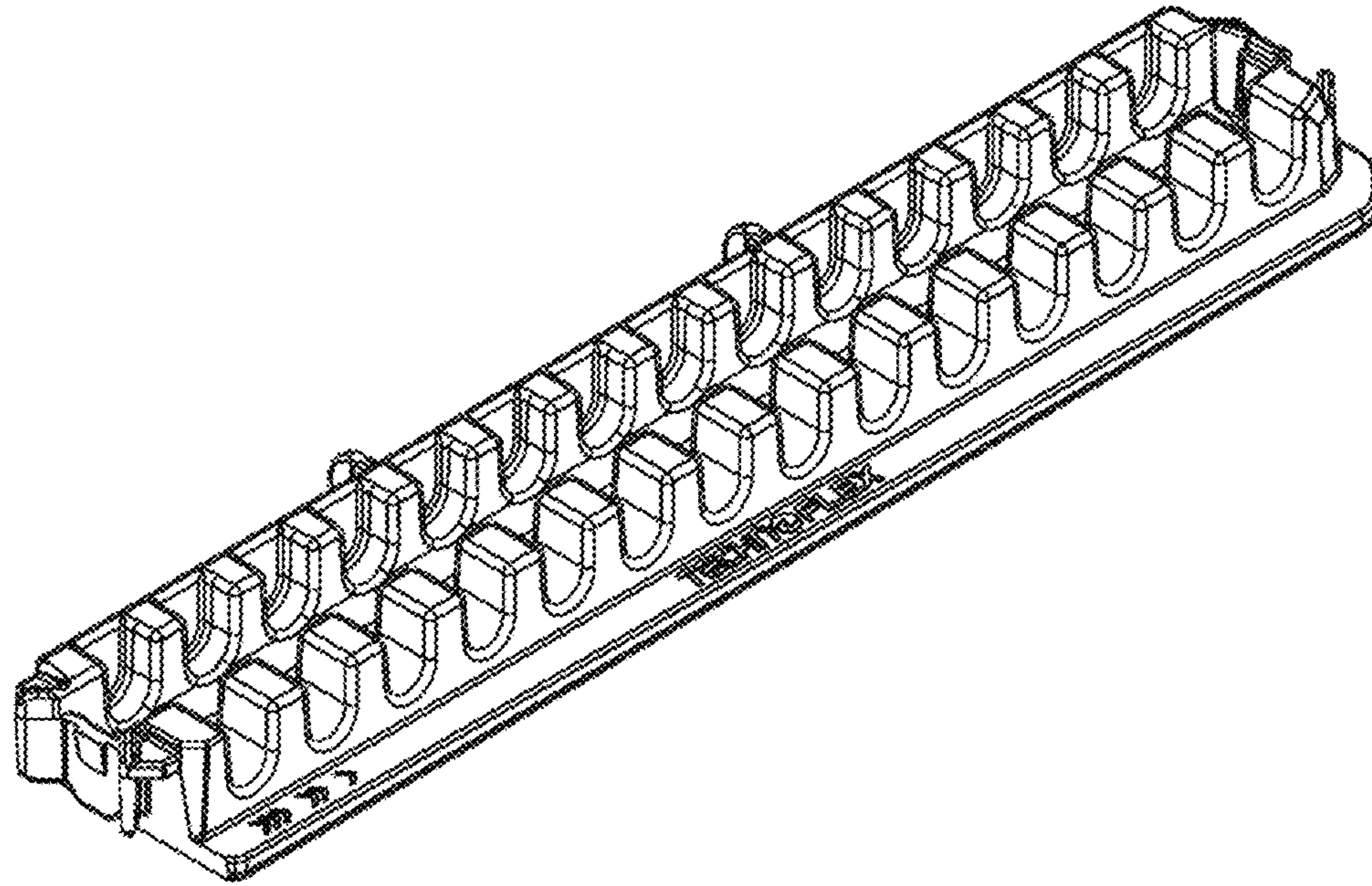
1.6 : Bottom

1.7 : Top

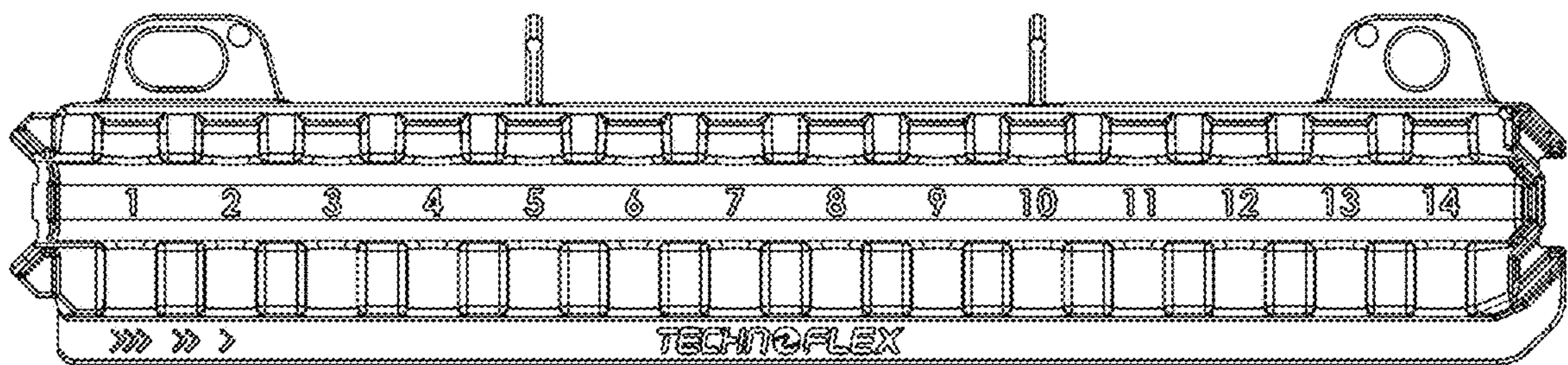
1 Claim, 7 Drawing Sheets



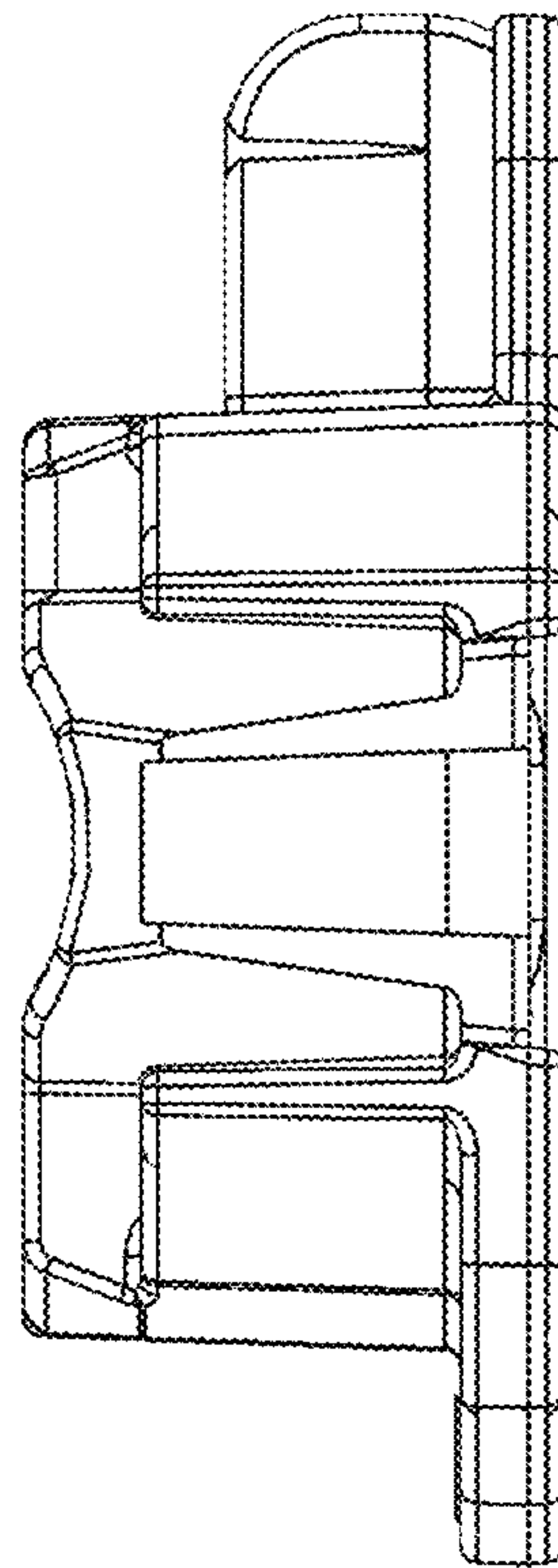
1.1



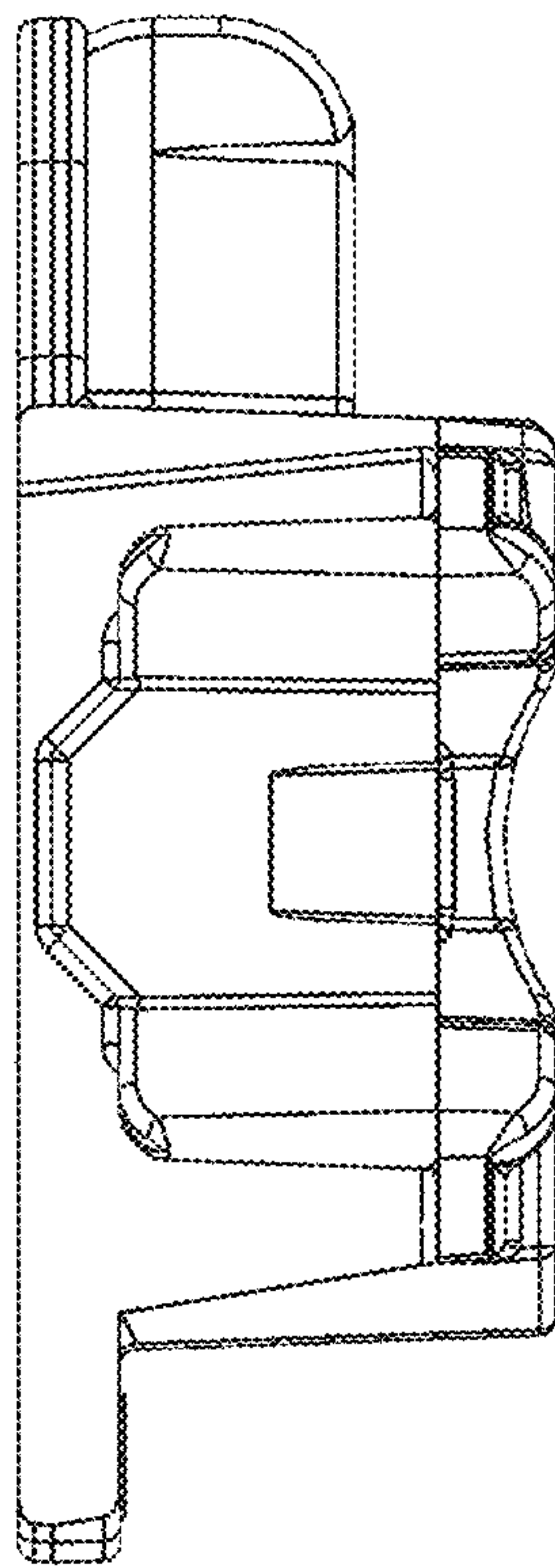
1.2



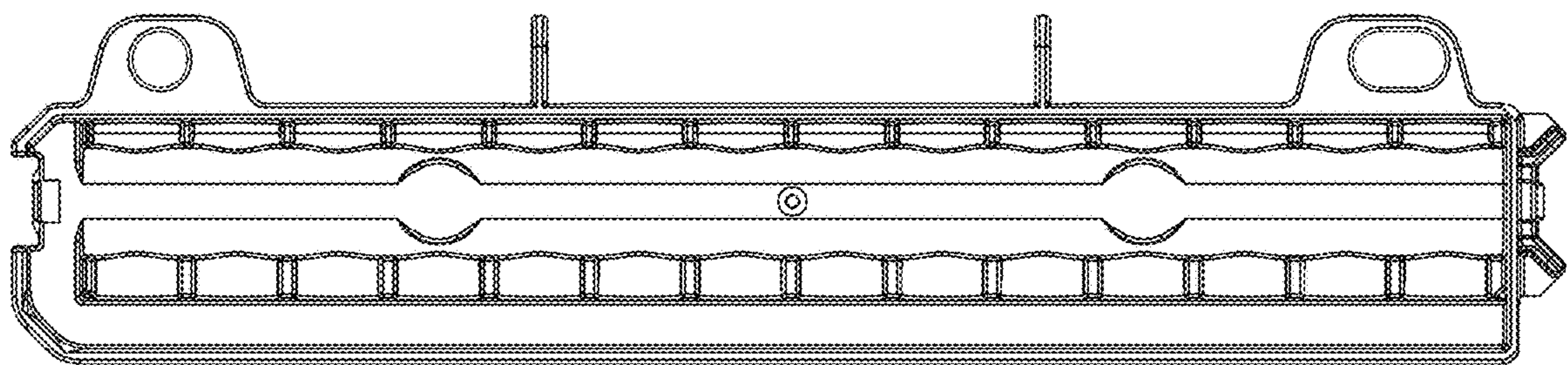
1.3



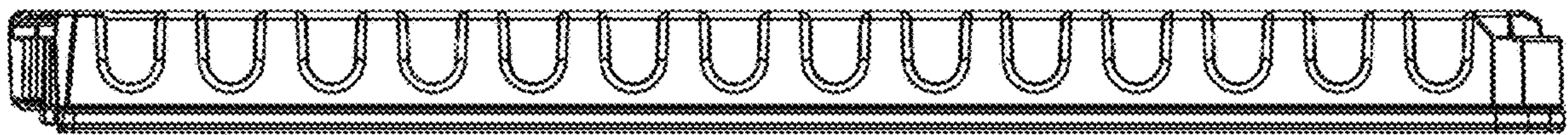
1.4



1.5



1.6



1.7

