



US00D970725S

(12) **United States Design Patent** (10) **Patent No.:** **US D970,725 S**  
**Surushe et al.** (45) **Date of Patent:** **\*\* Nov. 22, 2022**

(54) **ABSORBENT ARTICLE COMPONENT**  
(71) Applicant: **The Procter & Gamble Company**,  
Cincinnati, OH (US)  
(72) Inventors: **Abhishek Prakash Surushe**,  
Schwalbach am Taunus (DE); **Jeromy**  
**Thomas Raycheck**, South Lebanon,  
OH (US); **Alejandro Jose Rivero**, São  
Paulo (BR); **Matthew Steven Ritter**,  
Liberty Township, OH (US)  
(73) Assignee: **The Procter & Gamble Company**,  
Cincinnati, OH (US)

3,860,003 A 1/1975 Buell  
4,610,678 A 9/1986 Weisman  
4,662,875 A 5/1987 Hirotsu  
4,673,402 A 6/1987 Weisman  
4,699,622 A 10/1987 Toussant  
4,808,178 A 2/1989 Aziz  
4,834,735 A 5/1989 Alemany  
(Continued)

**FOREIGN PATENT DOCUMENTS**

CN 103260569 A 8/2013  
CN 105919731 A 9/2016  
(Continued)

**OTHER PUBLICATIONS**

Unpublished U.S. Appl. No. 16/684,860, filed Nov. 15, 2019, to  
Abhishek Prakash Surushe et al.  
(Continued)

*Primary Examiner* — Mary Shannon Malley  
*Assistant Examiner* — Lee D. Starr  
(74) *Attorney, Agent, or Firm* — Christian M. Best; Sarah  
M. DeCristofaro

(\*\*) Term: **15 Years**  
(21) Appl. No.: **29/713,366**  
(22) Filed: **Nov. 15, 2019**  
(51) **LOC (13) Cl.** ..... **24-04**  
(52) **U.S. Cl.**  
USPC ..... **D24/124**  
(58) **Field of Classification Search**  
USPC .... D24/124–126, 188–190; D29/101.5, 119;  
D2/700, 701, 733, 738  
CPC ..... A61F 13/15; A61F 13/45; A61F 13/4704;  
A61F 13/49; A61F 13/49001; A61F  
13/49007; A61F 13/49009; A61F  
13/49011; A61F 13/49012; A61F  
13/49014; A61F 13/49015; A61F  
13/5622; A61F 13/5633; A61F 13/535;  
A61F 13/539; A61F 2013/49084; A61F  
2013/49088; A61F 2013/49098  
See application file for complete search history.

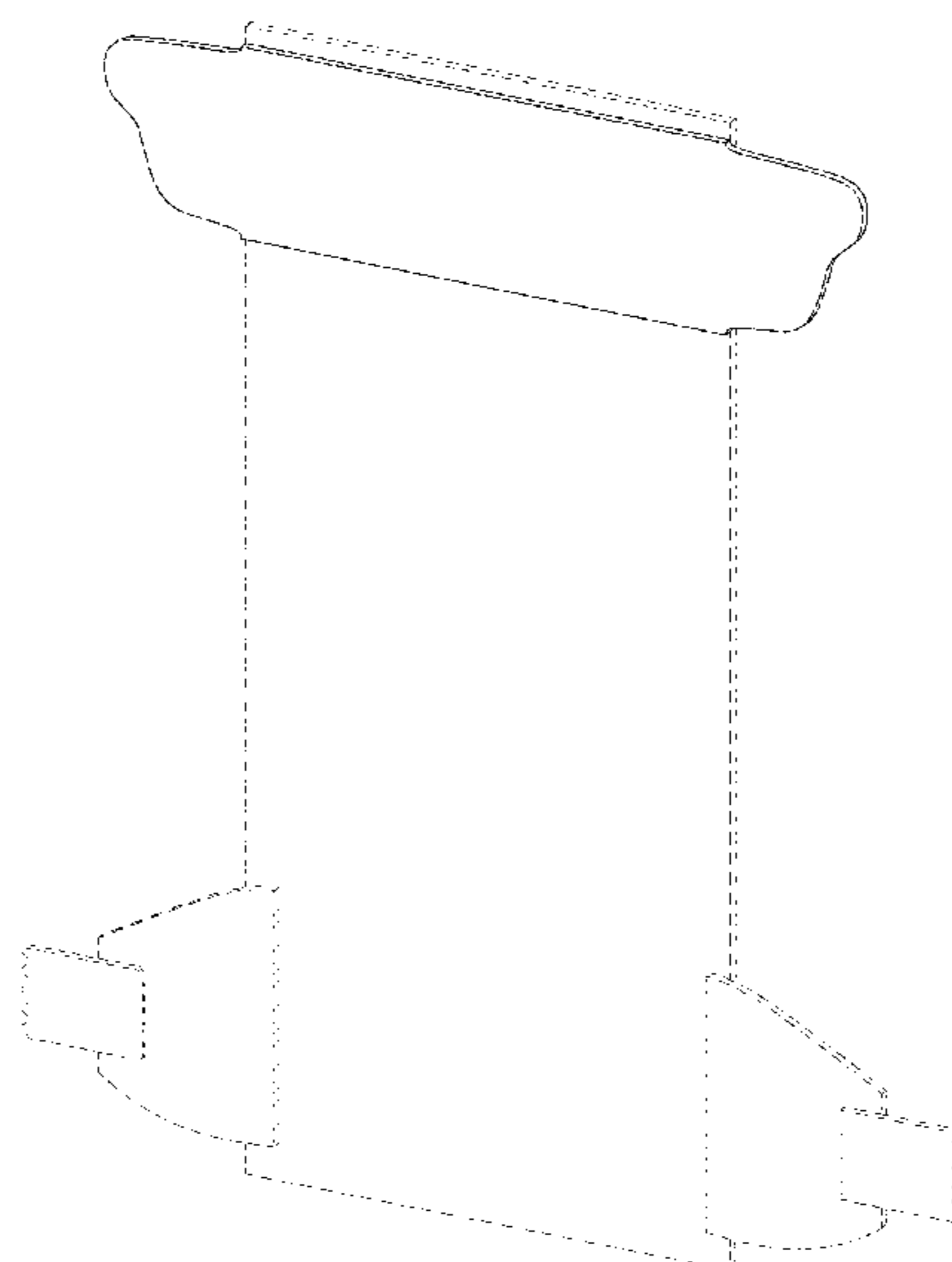
(57) **CLAIM**  
The ornamental design for an absorbent article component,  
as shown and described above.

**DESCRIPTION**

FIG. 1 is a perspective view of an absorbent article com-  
ponent;  
FIG. 2 is a front elevation view thereof;  
FIG. 3 is a right side elevation view thereof;  
FIG. 4 is a back elevation view thereof;  
FIG. 5 is a top plan view thereof; and,  
FIG. 6 is a bottom plan view thereof.  
The broken lines are included for the purpose of illustrating  
environment and form no part of the claimed design.

(56) **References Cited**  
U.S. PATENT DOCUMENTS  
D132,937 S \* 6/1942 Cadgene ..... A61F 13/15699  
D24/126  
3,848,594 A 11/1974 Buell

**1 Claim, 5 Drawing Sheets**



(56)

References Cited

U.S. PATENT DOCUMENTS

4,834,741 A 5/1989 Sabee  
 4,846,815 A 7/1989 Scripps  
 4,888,231 A 12/1989 Angstadt  
 4,894,060 A 1/1990 Nestegard  
 4,909,803 A 3/1990 Aziz  
 4,946,527 A 8/1990 Battrell  
 4,963,140 A 10/1990 Robertson  
 5,137,537 A 8/1992 Herron  
 5,147,345 A 9/1992 Lavon  
 5,151,092 A 9/1992 Buell  
 5,156,793 A 10/1992 Buell  
 5,167,897 A 12/1992 Weber et al.  
 5,221,274 A 6/1993 Buell  
 5,242,436 A 9/1993 Weil  
 5,260,345 A 11/1993 Desmarais  
 5,342,338 A 8/1994 Roe  
 5,387,207 A 2/1995 Dyer  
 5,397,316 A 3/1995 Young  
 5,499,978 A 3/1996 Buell  
 5,507,736 A 4/1996 Clear  
 5,554,145 A 9/1996 Roe  
 5,569,234 A 10/1996 Buell  
 5,571,096 A 11/1996 Dobrin  
 5,580,411 A 12/1996 Nease  
 5,591,152 A 1/1997 Buell  
 D377,979 S \* 2/1997 Plaschko ..... A61F 13/5633  
 D24/126  
 5,625,222 A 4/1997 Yoneda  
 D384,152 S 9/1997 Raufman  
 D403,400 S \* 12/1998 Bernard ..... A61F 13/49473  
 D24/126  
 D403,401 S \* 12/1998 Bernard ..... D24/126  
 D403,402 S \* 12/1998 Dreier ..... A61L 15/58  
 D24/126  
 5,851,205 A 12/1998 Hisada  
 5,865,823 A 2/1999 Curro  
 5,993,432 A 11/1999 Lodge  
 6,004,306 A 12/1999 Robles  
 D428,142 S 7/2000 Stromblad  
 D435,103 S 12/2000 Schmoker  
 6,195,850 B1 3/2001 Melbye et al.  
 6,248,097 B1 6/2001 Beltz  
 D448,079 S 9/2001 Bruemmer-prestley  
 6,432,098 B1 8/2002 Kline  
 6,478,784 B1 11/2002 Johnson  
 6,746,434 B2 6/2004 Johnson  
 6,843,134 B2 1/2005 Anderson  
 7,062,983 B2 6/2006 Anderson  
 D543,276 S \* 5/2007 Martynus ..... D24/126  
 D544,098 S \* 6/2007 Martynus ..... D24/126  
 D581,525 S \* 11/2008 Zink, II ..... D24/126  
 D583,469 S \* 12/2008 Zink, II ..... D24/126  
 7,626,073 B2 12/2009 Catalan  
 7,744,576 B2 6/2010 Busam  
 7,750,203 B2 7/2010 Becker  
 7,867,213 B2 1/2011 Bandorf et al.  
 8,145,338 B2 3/2012 Kent  
 8,145,343 B2 3/2012 Debruler  
 8,145,344 B2 3/2012 Debruler  
 8,244,393 B2 8/2012 Mclaughlin  
 8,454,571 B2 6/2013 Rezai  
 8,663,186 B2 3/2014 Lam et al.  
 8,712,573 B2 4/2014 Debruler  
 8,712,574 B2 4/2014 Debruler  
 8,784,722 B2 7/2014 Rocha  
 8,939,957 B2 1/2015 Raycheck  
 9,119,751 B2 9/2015 Waksmundzki et al.  
 9,138,362 B2 9/2015 Popp  
 9,265,673 B2 2/2016 Stabelfeldt  
 9,265,674 B2 2/2016 Hancock-cooke  
 9,429,929 B2 8/2016 Debruler  
 9,468,265 B2 10/2016 Horn  
 9,468,569 B2 10/2016 Hancock-cooke  
 9,610,202 B2 \* 4/2017 Rezai ..... A61L 15/58  
 9,615,980 B2 4/2017 Enz

9,867,743 B2 1/2018 Stabelfeldt  
 9,962,296 B2 5/2018 Mansfield  
 10,034,802 B2 7/2018 Macura et al.  
 D825,055 S 8/2018 Hirsch  
 D879,972 S \* 3/2020 Caneppele ..... D24/189  
 D889,640 S \* 7/2020 Raycheck ..... D24/126  
 D928,310 S \* 8/2021 Chase ..... D24/124  
 D936,845 S \* 11/2021 Hahn ..... D24/189  
 11,389,344 B2 \* 7/2022 Suyama ..... A61F 13/515  
 11,399,990 B2 \* 8/2022 Suyama ..... A61F 13/5323  
 2002/0038110 A1 3/2002 Kusibojoska et al.  
 2002/0193776 A1 12/2002 Fernfors  
 2003/0009144 A1 1/2003 Tanzer et al.  
 2004/0181200 A1 9/2004 Desai  
 2004/0193133 A1 9/2004 Desai  
 2005/0222552 A1 10/2005 Otsubo  
 2006/0178651 A1 \* 8/2006 Glaug ..... A61F 13/15699  
 604/385.24  
 2006/0212013 A1 9/2006 Cohen et al.  
 2007/0219521 A1 9/2007 Hird  
 2007/0249254 A1 10/2007 Mansfield  
 2007/0293111 A1 12/2007 Mansfield  
 2010/0180407 A1 7/2010 Rocha  
 2011/0092947 A1 4/2011 Kline  
 2011/0139657 A1 6/2011 Hird  
 2011/0139658 A1 6/2011 Hird  
 2011/0139659 A1 6/2011 Hird  
 2011/0152812 A1 6/2011 Hird  
 2011/0155304 A1 6/2011 Sakaguchi  
 2011/0184372 A1 7/2011 Esping  
 2011/0208144 A1 8/2011 Roe et al.  
 2013/0082418 A1 4/2013 Curro  
 2013/0131625 A1 5/2013 Schlinz  
 2013/0226121 A1 \* 8/2013 Kikkawa ..... A61F 13/49473  
 604/372  
 2013/0345657 A1 12/2013 Nelson et al.  
 2014/0000003 A1 1/2014 Ashraf  
 2014/0000070 A1 1/2014 Ashraf  
 2014/0000784 A1 1/2014 Rane  
 2015/0032079 A1 1/2015 Enz et al.  
 2015/0045758 A1 2/2015 Goodlander et al.  
 2015/0126955 A1 5/2015 Sauer  
 2015/0173983 A1 6/2015 Coe et al.  
 2016/0270977 A1 9/2016 Surushe  
 2018/0042777 A1 2/2018 Dalal  
 2018/0042778 A1 2/2018 Lenser  
 2018/0271716 A1 9/2018 Dalal  
 2018/0271717 A1 9/2018 Dria  
 2018/0325753 A1 11/2018 Vohwinkel  
 2019/0060135 A1 2/2019 Kawka  
 2020/0054505 A1 2/2020 Su et al.  
 2021/0145650 A1 5/2021 Surushe et al.  
 2021/0145660 A1 5/2021 Surushe et al.  
 2021/0251824 A1 \* 8/2021 Roe ..... A61F 13/5633  
 2022/0257432 A1 \* 8/2022 Raycheck ..... A61F 13/4942

FOREIGN PATENT DOCUMENTS

CN 206910449 U 1/2018  
 EP 1377214 B1 4/2005  
 EP 2259763 B1 6/2014  
 JP H11155906 A 6/1999  
 JP 2004508138 A 3/2004  
 JP 2006246999 A 9/2006  
 JP 2007521036 A 8/2007  
 JP 2009056001 A 3/2009  
 WO 9108725 A 6/1991  
 WO 9516746 A1 6/1995  
 WO 2005016211 A1 2/2005  
 WO 2005110731 A2 11/2005  
 WO 2016022629 A1 2/2016  
 WO 2019018721 A1 1/2019  
 WO 2020041271 A1 2/2020

OTHER PUBLICATIONS

Unpublished U.S. Appl. No. 16/684,895, filed Nov. 15, 2019, to Abhishek Prakash Surushe et al.

(56)

**References Cited**

OTHER PUBLICATIONS

All Office Actions; U.S. Appl. No. 16/538,865.

All Office Actions; U.S. Appl. No. 16/684,860.

All Office Actions; U.S. Appl. No. 16/684,895.

\* cited by examiner

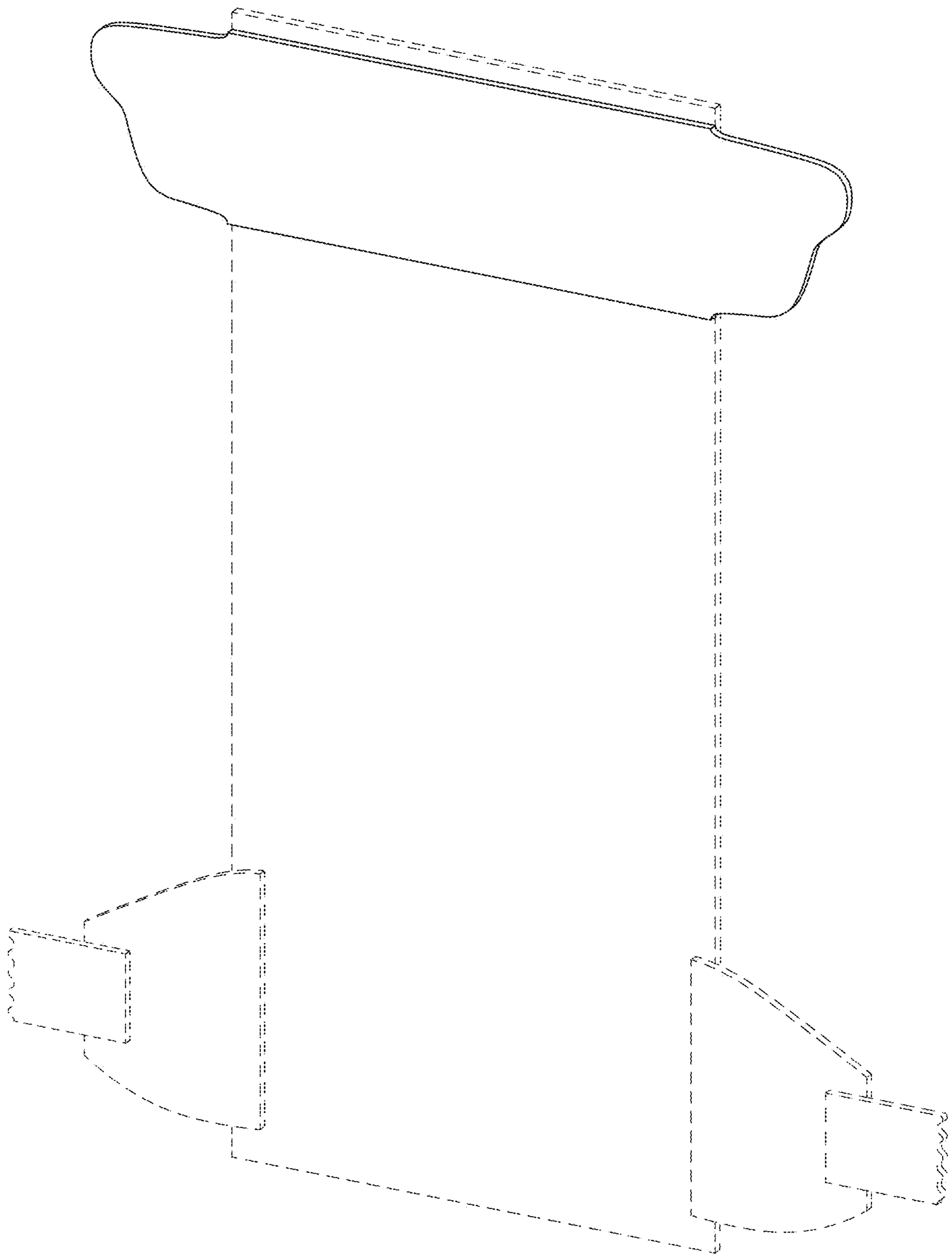


FIG. 1

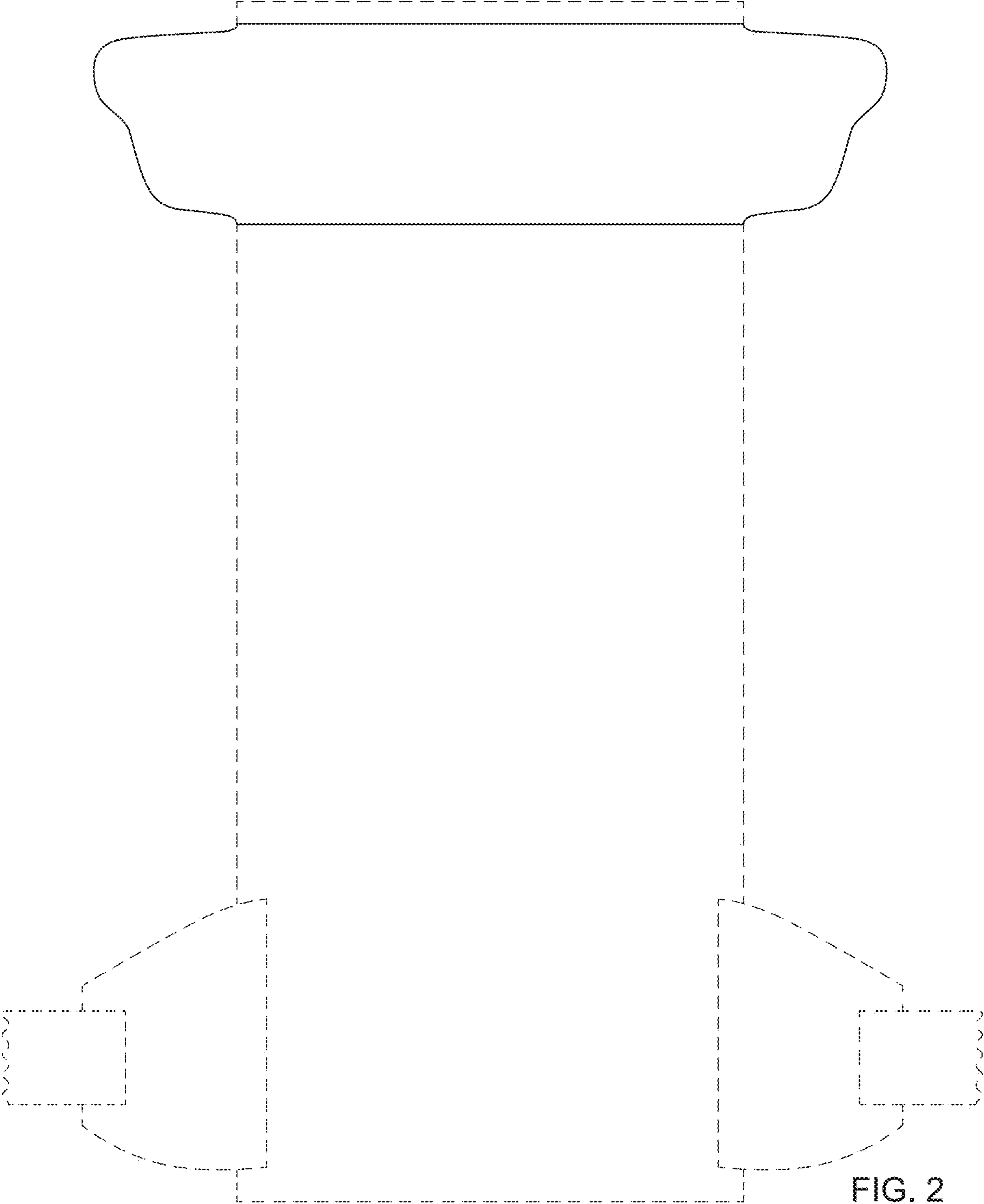


FIG. 2

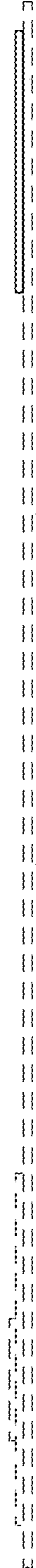


FIG. 3

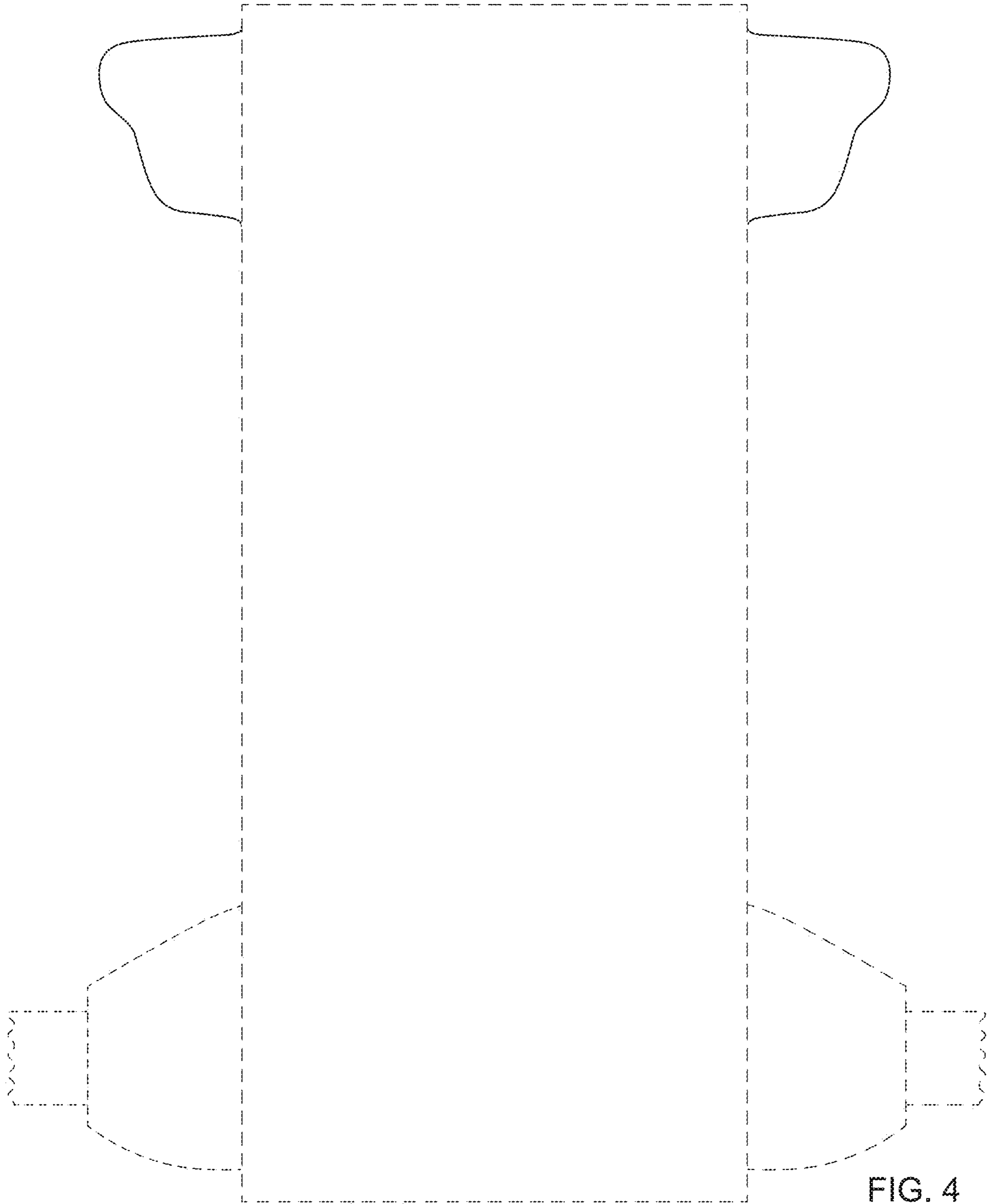


FIG. 4

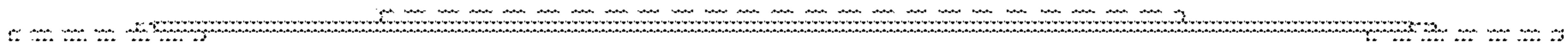


FIG. 5

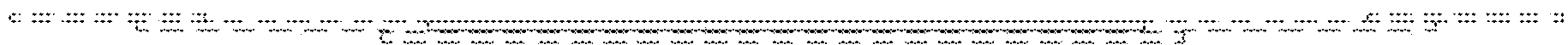


FIG. 6