



US00D970724S

(12) **United States Design Patent**  
**Zhou et al.**

(10) **Patent No.:** **US D970,724 S**

(45) **Date of Patent:** **\*\* Nov. 22, 2022**

(54) **EYEWASH STATION**

(71) Applicant: **HONEYWELL INTERNATIONAL INC.**, Charlotte, NC (US)

(72) Inventors: **Weimin Zhou**, Shanghai (CN); **Kevin Xu**, Shanghai (CN); **Lynette Li**, Shanghai (CN); **Gary Cao**, Shanghai (CN); **Rocky Qu**, Shanghai (CN); **Roy Liao**, Shanghai (CN); **Zhao Xia Jin**, Shanghai (CN); **David Hou**, Shanghai (CN); **Xue Liu**, Shanghai (CN)

(73) Assignee: **HONEYWELL INTERNATIONAL INC.**, Charlotte, NC (US)

(\*\*) Term: **15 Years**

(21) Appl. No.: **29/711,141**

(22) Filed: **Oct. 29, 2019**

(30) **Foreign Application Priority Data**

Apr. 30, 2019 (CN) ..... 201930209334.3

(51) **LOC (13) Cl.** ..... **24-04**

(52) **U.S. Cl.**  
USPC ..... **D24/121**

(58) **Field of Classification Search**  
USPC ..... D24/105, 120, 121, 108, 122, 224, 232;  
D9/528, 531, 543, 575  
CPC ..... A61F 69/0008; A61F 9/0026; A61F 2230/0091; A61F 2250/0004; B65D 47/18; A61H 35/025; A61M 35/003; A61M 35/00

See application file for complete search history.

(56) **References Cited**

**U.S. PATENT DOCUMENTS**

D368,774 S \* 4/1996 Py ..... D24/120  
D618,342 S \* 6/2010 Perrin ..... D9/528

D635,681 S 4/2011 Edwards et al.  
8,473,020 B2 6/2013 Kiani et al.  
D745,172 S 12/2015 Marzynski  
D788,312 S 5/2017 Al-Ali et al.  
D829,892 S \* 10/2018 Brana ..... D24/120  
10,898,633 B2 1/2021 Plott et al.  
D941,491 S \* 1/2022 Klein ..... D24/232  
D942,646 S \* 2/2022 Mathers ..... D24/232  
2015/0374252 A1 12/2015 De et al.  
2022/0054810 A1 \* 2/2022 Lee ..... A61K 8/19

**OTHER PUBLICATIONS**

Ex Parte Quayle Action Mailed on Mar. 3, 2022 for U.S. Appl. No. 29/711,137, 6 pages.  
Honeywell Industrial Safety, Pure Flow 1000, [online], retrieved from the Internet Jan. 28, 2020 <URL <[https://www.honeywellsafety.com/Products/Eye\\_and\\_Face\\_Protection/Pure\\_Flow\\_1000\\_AUS.aspx?site=/au](https://www.honeywellsafety.com/Products/Eye_and_Face_Protection/Pure_Flow_1000_AUS.aspx?site=/au)>, 2 pages.

(Continued)

*Primary Examiner* — Samantha Q Lawrence  
(74) *Attorney, Agent, or Firm* — Alston & Bird LLP

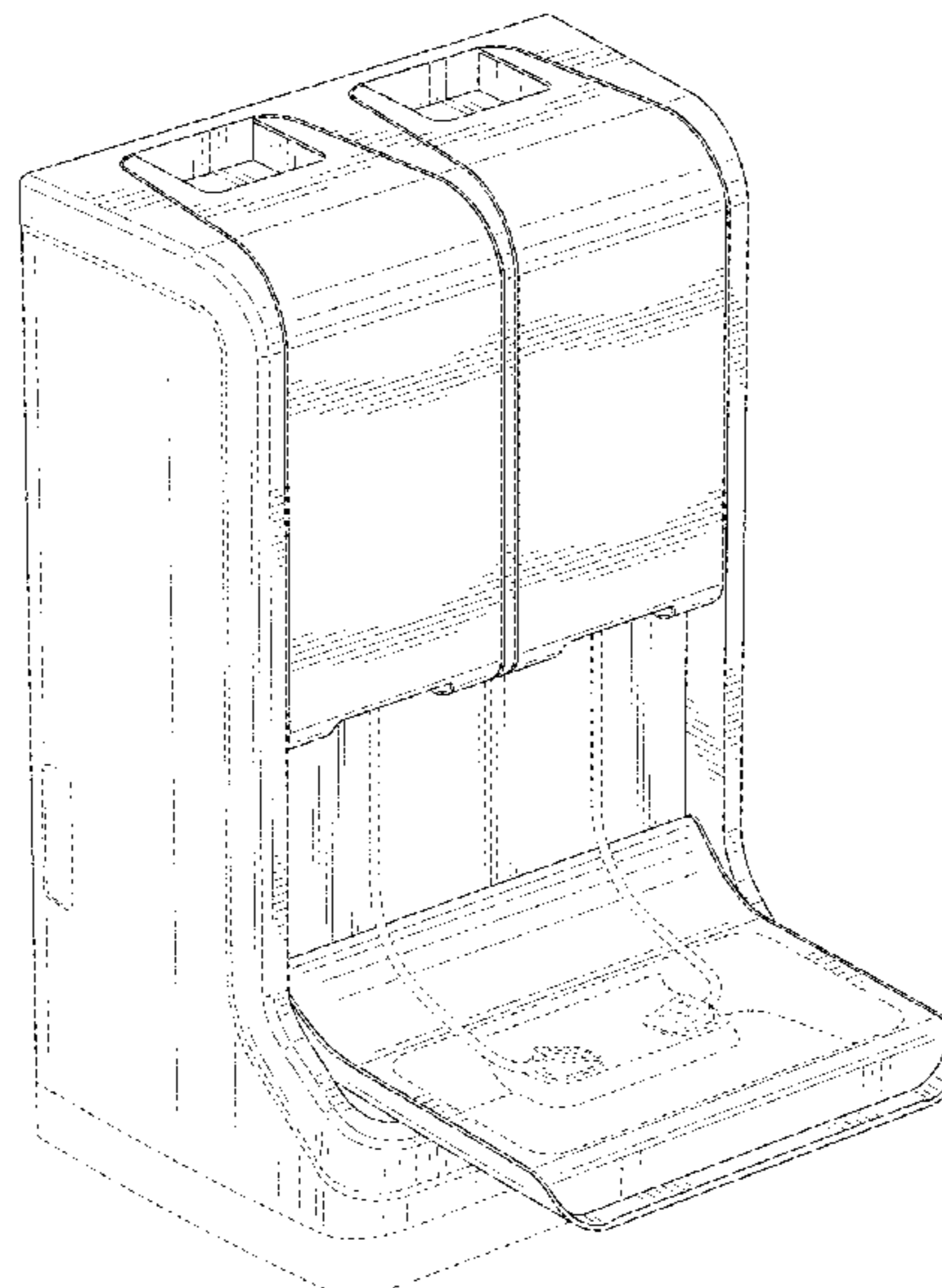
(57) **CLAIM**

We claim the ornamental design for an eyewash station, as shown and described.

**DESCRIPTION**

FIG. 1 is a perspective view of an eyewash station showing our new design;  
FIG. 2 is a front elevation view thereof;  
FIG. 3 is right side elevation view thereof;  
FIG. 4 is a left side elevation view thereof;  
FIG. 5 is a top plan view thereof; and,  
FIG. 6 is a bottom plan view thereof.  
The broken lines illustrate portions of the eyewash station that form no part of the claimed design.

**1 Claim, 6 Drawing Sheets**



(56)

**References Cited**

OTHER PUBLICATIONS

Honeywell Industrial Safety, Fendall 2000, [online], retrieved from the Internet Jan. 28, 2020 <URL: [https://www.honeywellsafety.com/Products/Eye\\_and\\_Face\\_Protection/Fendall\\_2000\\_Eyewash.aspx?site=/mei](https://www.honeywellsafety.com/Products/Eye_and_Face_Protection/Fendall_2000_Eyewash.aspx?site=/mei)>, 3 pages.

Honeywell Industrial Safety, Fendall Pure Flow 1000, [online], retrieved from the Internet Jan. 28, 2020 <URL: [https://www.honeywellsafety.com/Products/Eye\\_and\\_Face\\_Protection/Fendall\\_Pure\\_Flow\\_1000.aspx?site=/ca](https://www.honeywellsafety.com/Products/Eye_and_Face_Protection/Fendall_Pure_Flow_1000.aspx?site=/ca)>, 4 pages.

Notice of Allowance for Chinese Application No. 201930209334.3, dated Dec. 18, 2019, 5 pages.

Notice of Allowance for Chinese Application No. 201930209337.7, dated Dec. 17, 2019, 4 pages.

Notice of Allowance received for U.S. Appl. No. 29/711,137, dated Jul. 13, 2022, 5 pages.

\* cited by examiner

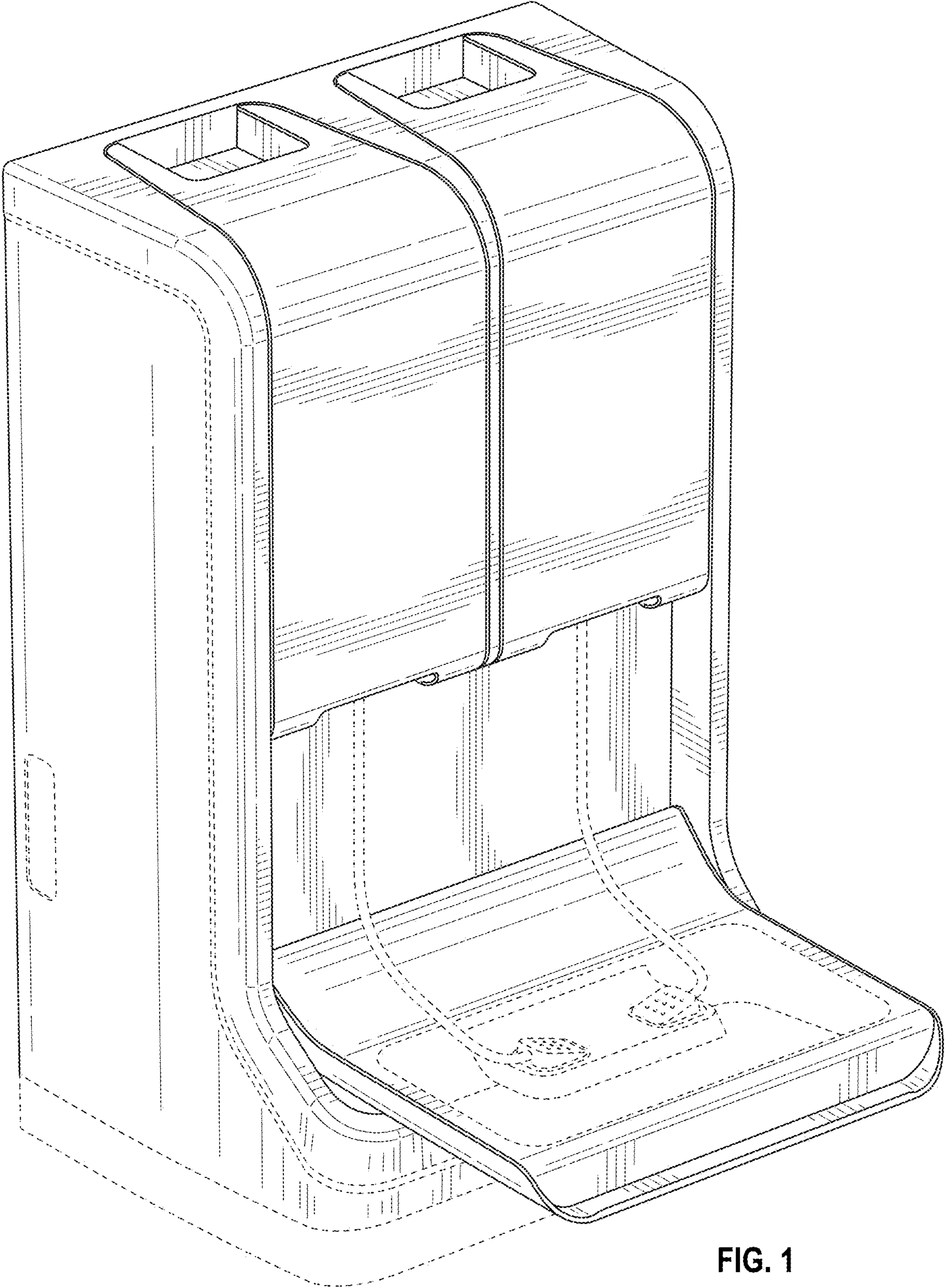


FIG. 1

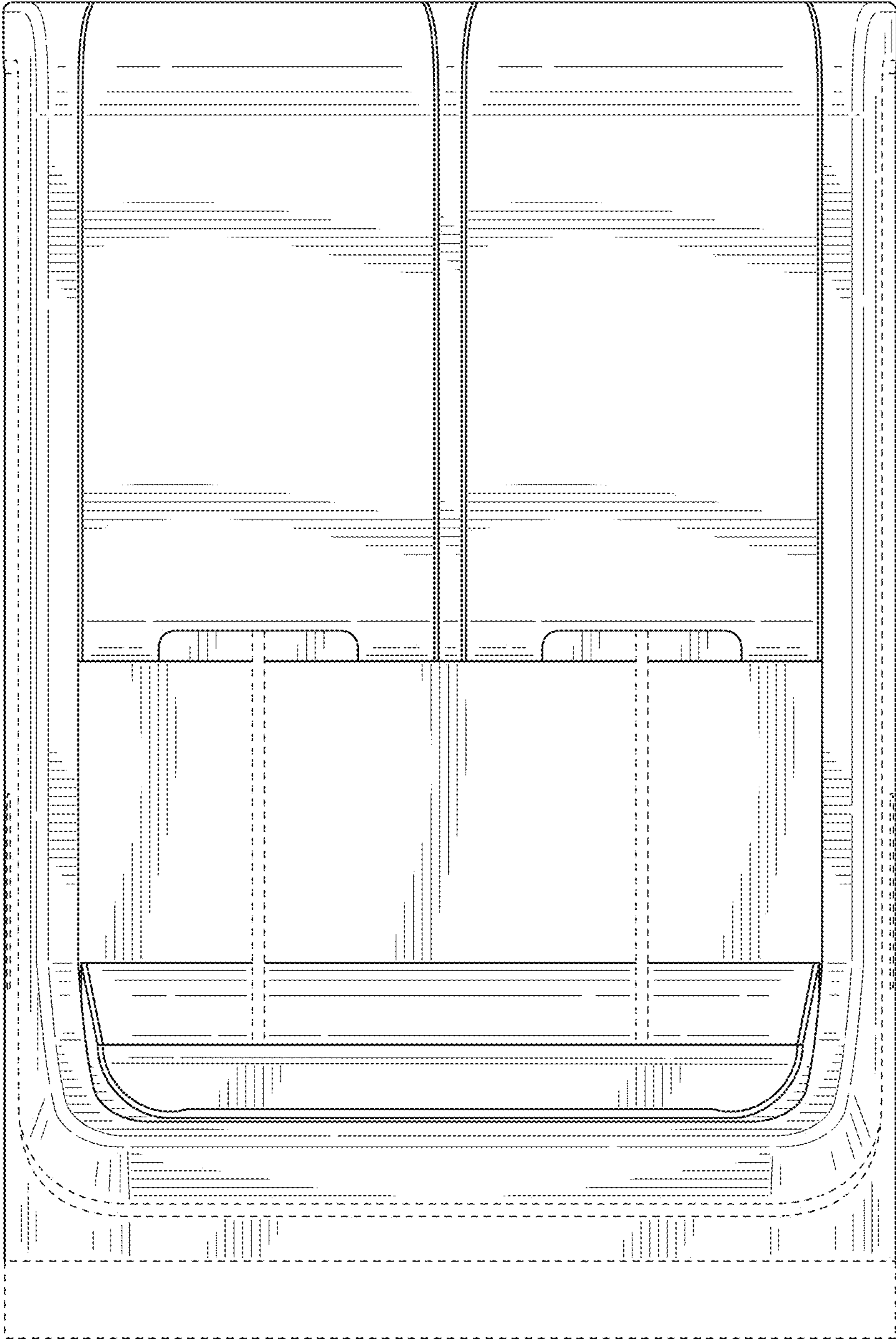


FIG. 2

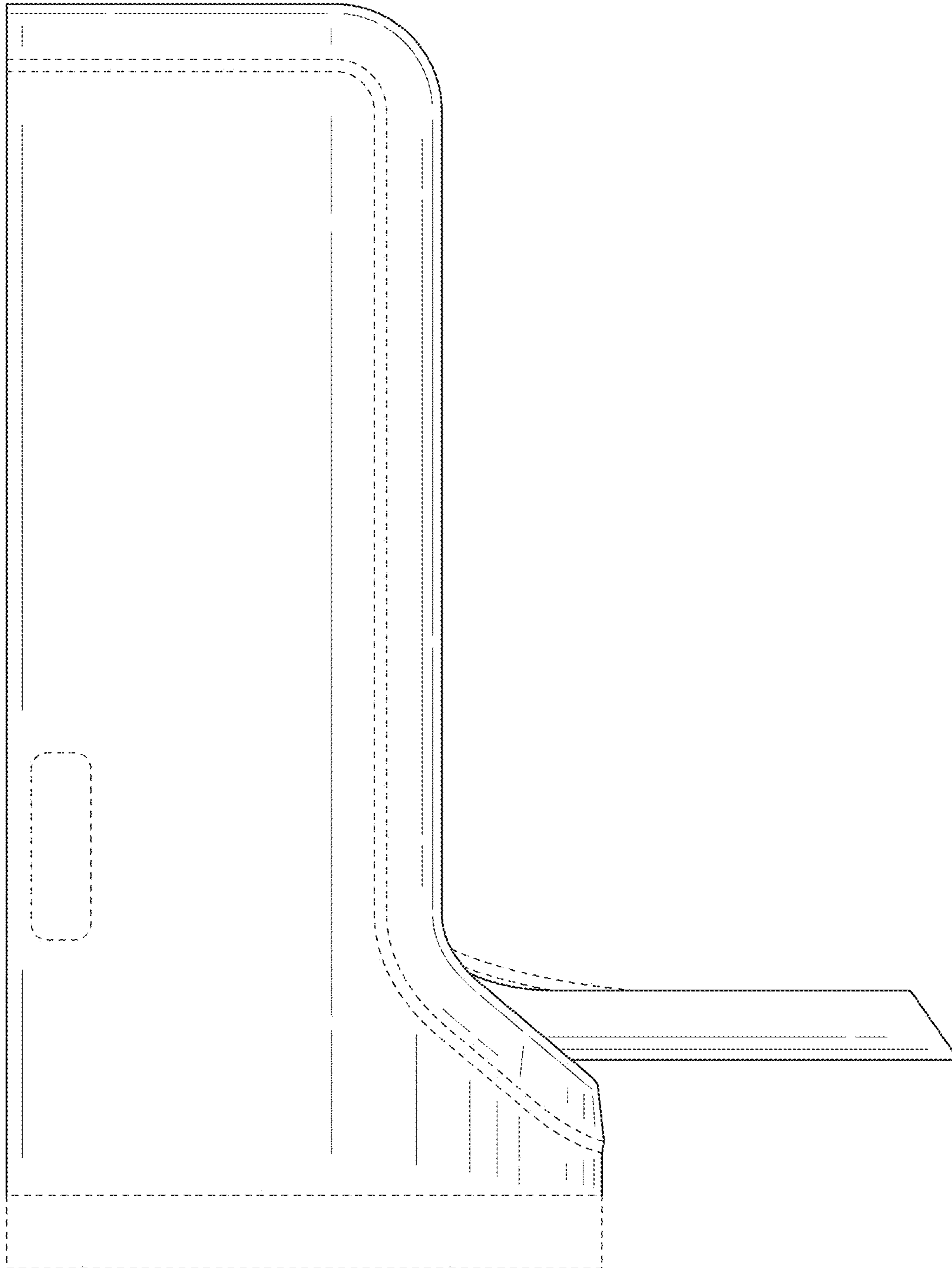


FIG. 3

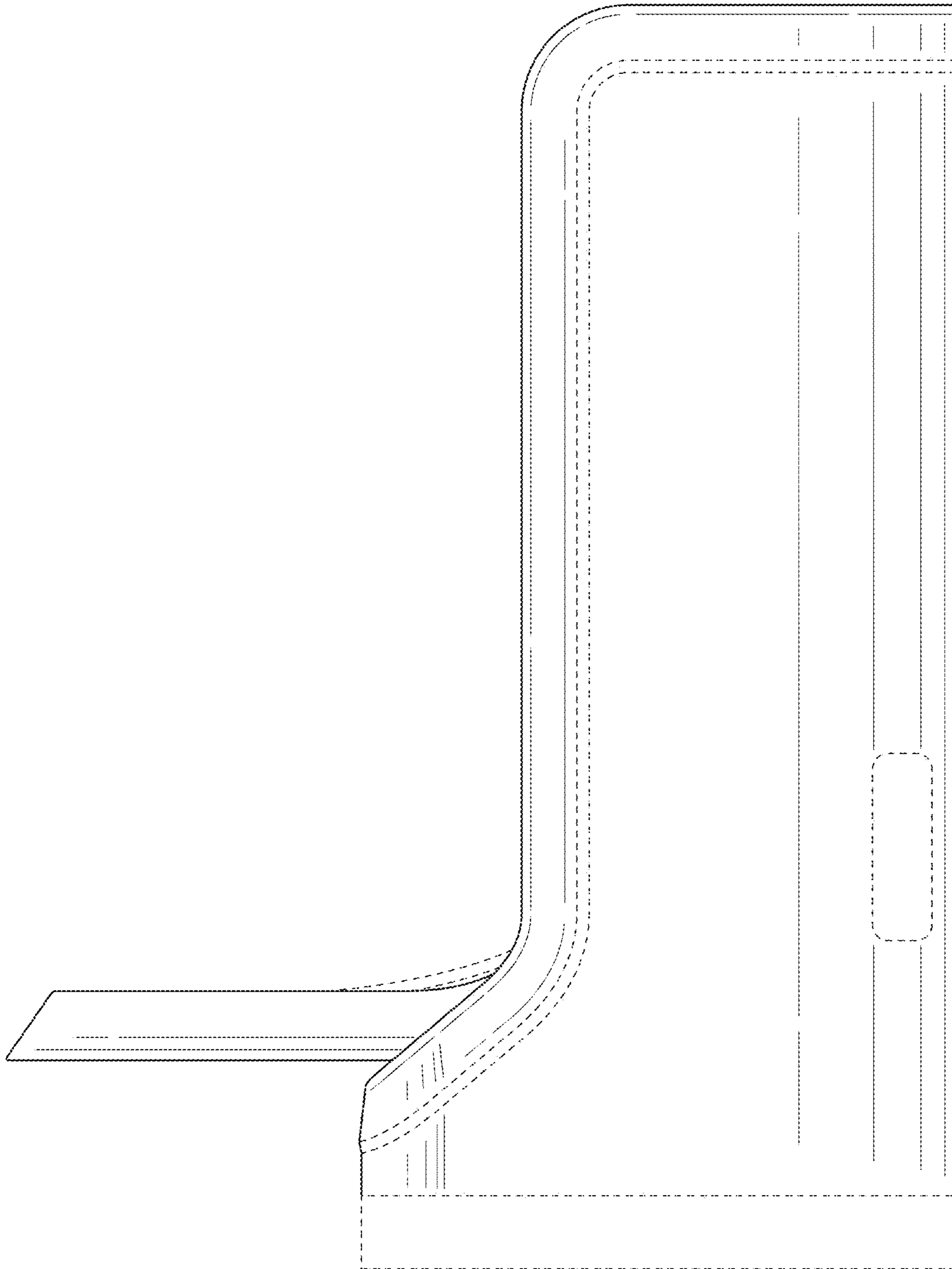


FIG. 4

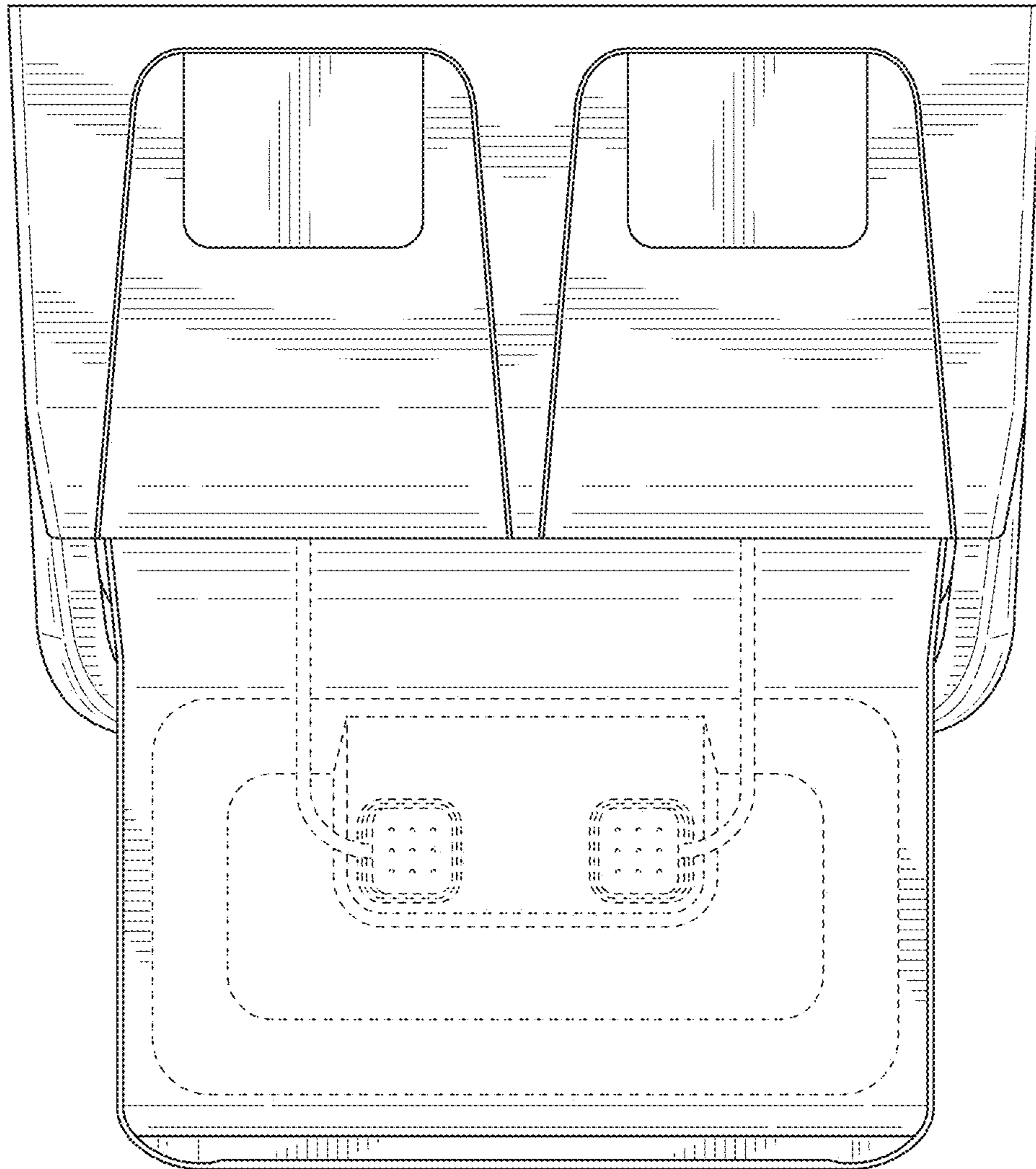


FIG. 5

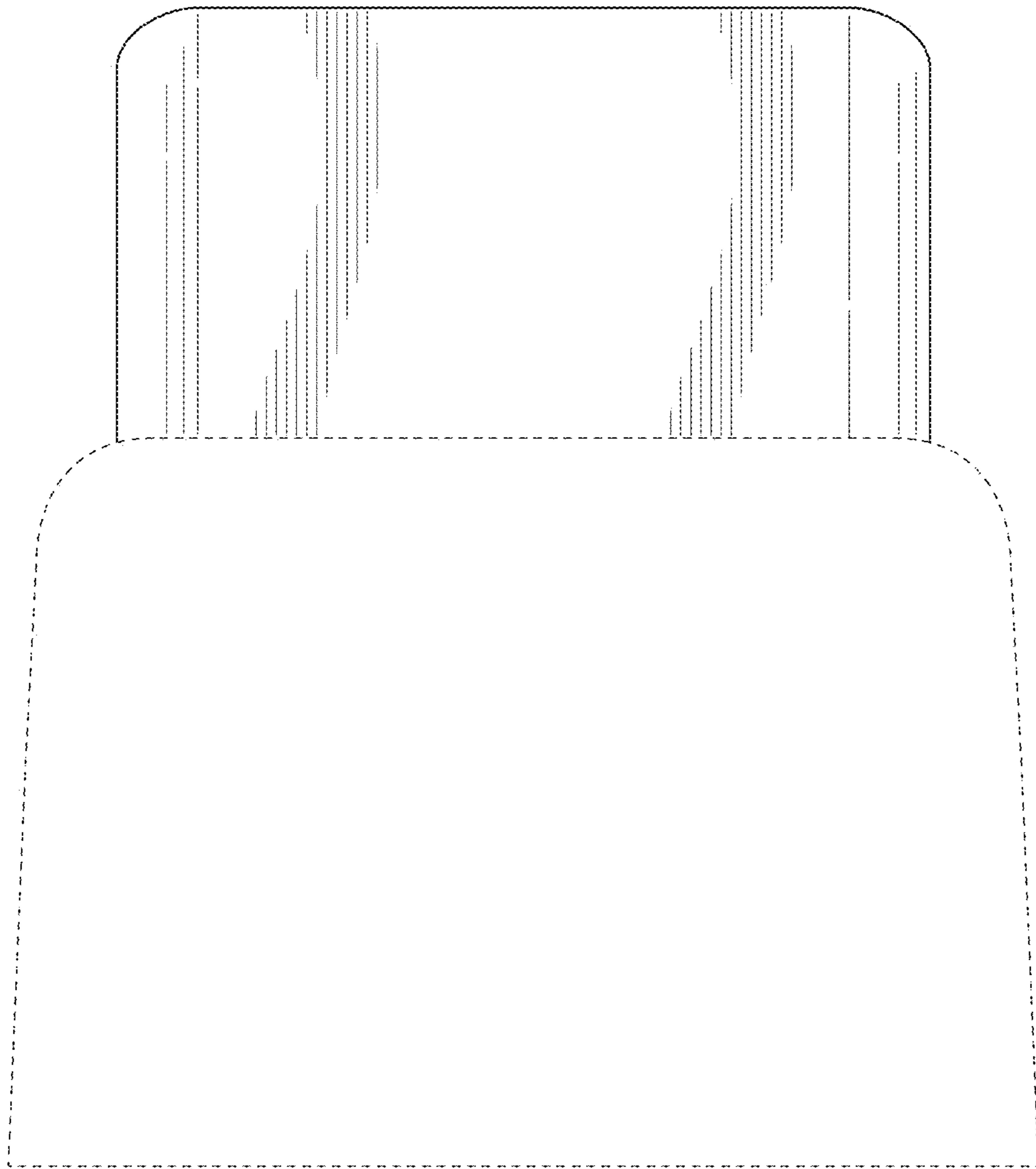


FIG. 6