



US00D970722S

(12) **United States Design Patent** (10) **Patent No.:** **US D970,722 S**
Zeng (45) **Date of Patent:** **** Nov. 22, 2022**

(54) **MEDICAL INJECTOR**

FOREIGN PATENT DOCUMENTS

(71) Applicant: **Guotao Zeng**, Jieyang (CN)

CN 306482637 * 4/2021
WO D213971-001 * 5/2021

(72) Inventor: **Guotao Zeng**, Jieyang (CN)

OTHER PUBLICATIONS

(**) Term: **15 Years**

70cc syringe features double-flanged plunger, Bard Care, [Post date Apr. 28, 2017], [Site seen Sep. 1, 2022], Seen at URL: <https://bardcare.com/consumers/products/view-products/skin-wound-care/irrigation/> (Year: 2017).*

(21) Appl. No.: **29/775,802**

(22) Filed: **Mar. 25, 2021**

(Continued)

(30) **Foreign Application Priority Data**

Dec. 7, 2020 (CN) 202030751135.8

Primary Examiner — Natasha Vujcic
Assistant Examiner — Gilbert B Ford
(74) *Attorney, Agent, or Firm* — Tucker Ellis LLP;
Heather M. Barnes

(51) **LOC (13) Cl.** **24-02**

(52) **U.S. Cl.**
USPC **D24/114**

(57) **CLAIM**

The ornamental design for a medical injector, as shown and described.

(58) **Field of Classification Search**
USPC D24/112–114, 133, 186, 104, 130, 127,
D24/221, 222
CPC A61M 5/31596; A61M 2005/1787; A61M
2005/31508; A61M 5/31511; A61M
2005/3121; A61M 2005/31598; A61M
2005/3123

DESCRIPTION

See application file for complete search history.

FIG. 1 is a front perspective view of a medical injector of the present disclosure according to a first embodiment; FIG. 2 is a rear perspective view thereof; FIG. 3 is a front elevational view thereof; FIG. 4 is a rear elevational view thereof; FIG. 5 is a left-side elevational view thereof; FIG. 6 is a right-side elevational view thereof; FIG. 7 is a top plan view thereof; and FIG. 8 is a bottom plan view thereof. FIG. 9 is a front perspective view of a medical injector of the present disclosure according to a second embodiment; FIG. 10 is a rear perspective view thereof; FIG. 11 is a front elevational view thereof; FIG. 12 is a rear elevational view thereof; FIG. 13 is a left-side elevational view thereof; FIG. 14 is a right-side elevational view thereof; FIG. 15 is a top plan view thereof; and FIG. 16 is a bottom plan view thereof.

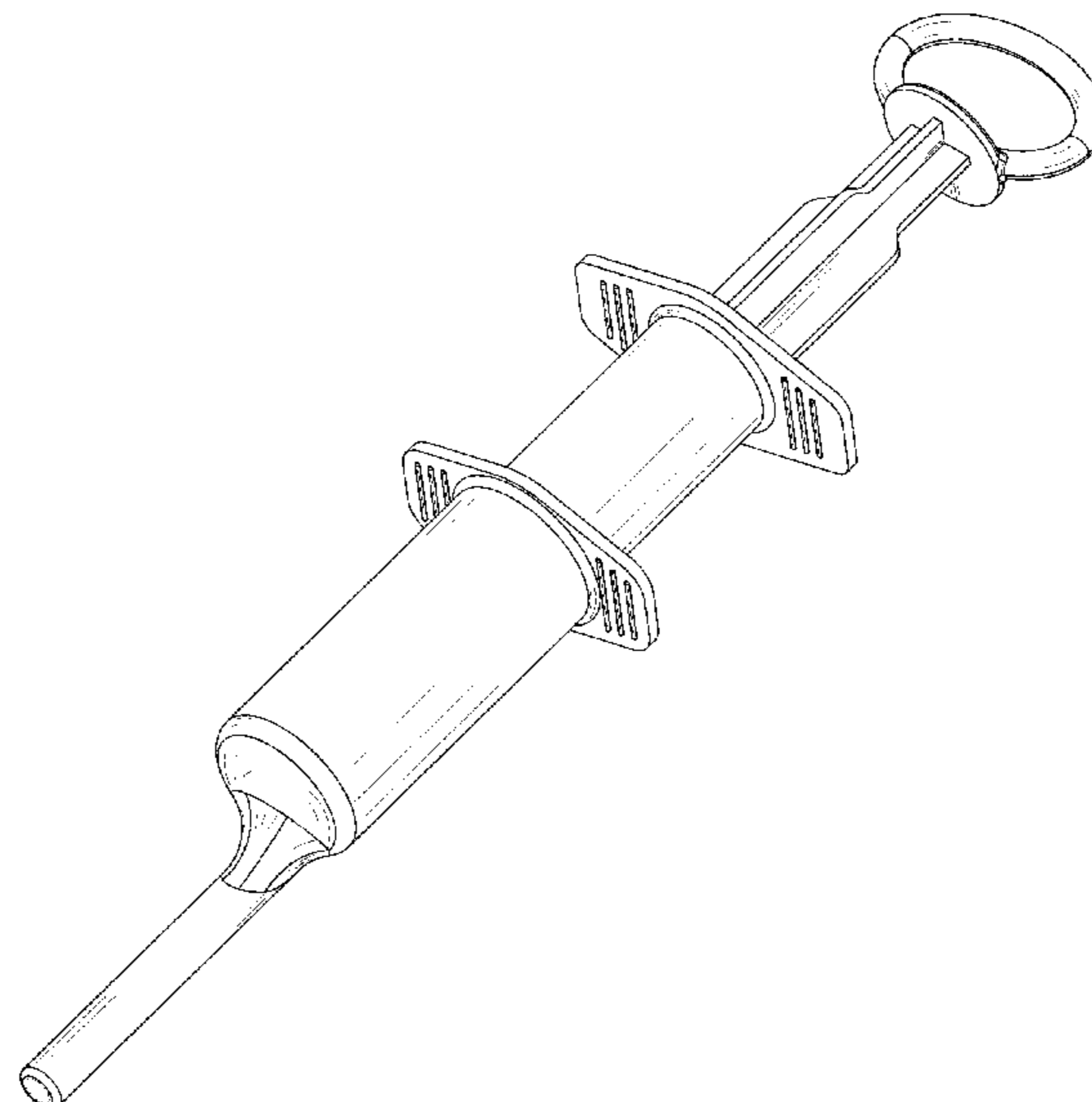
(56) **References Cited**

U.S. PATENT DOCUMENTS

D739,524 S * 9/2015 Zemel D7/669
9,895,289 B2 * 2/2018 Buder A61B 17/12186
D823,460 S * 7/2018 Raghuvier D24/114
D870,272 S * 12/2019 Goulinet D24/114
D870,273 S * 12/2019 Goulinet D24/114
D870,274 S * 12/2019 Broyles D24/114
D891,611 S * 7/2020 Valentin D24/114
10,828,016 B2 * 11/2020 Bagwan A61M 5/3295
D953,089 S * 5/2022 Scheinert D24/114
D954,942 S * 6/2022 Lee D24/114

(Continued)

1 Claim, 16 Drawing Sheets



(56)

References Cited

U.S. PATENT DOCUMENTS

D957,625 S * 7/2022 Reynolds D24/114

OTHER PUBLICATIONS

Vista Cook-Waite type 1.8 cc Aspirating Syringe, Vista,[Post date unknown], [Site seen Sep. 1, 2022], Seen at URL: <https://www.net32.com/ec/vista-cookwaite-type-18-cc-aspirating-syringe-d-43834> (Year: 2022).*

* cited by examiner

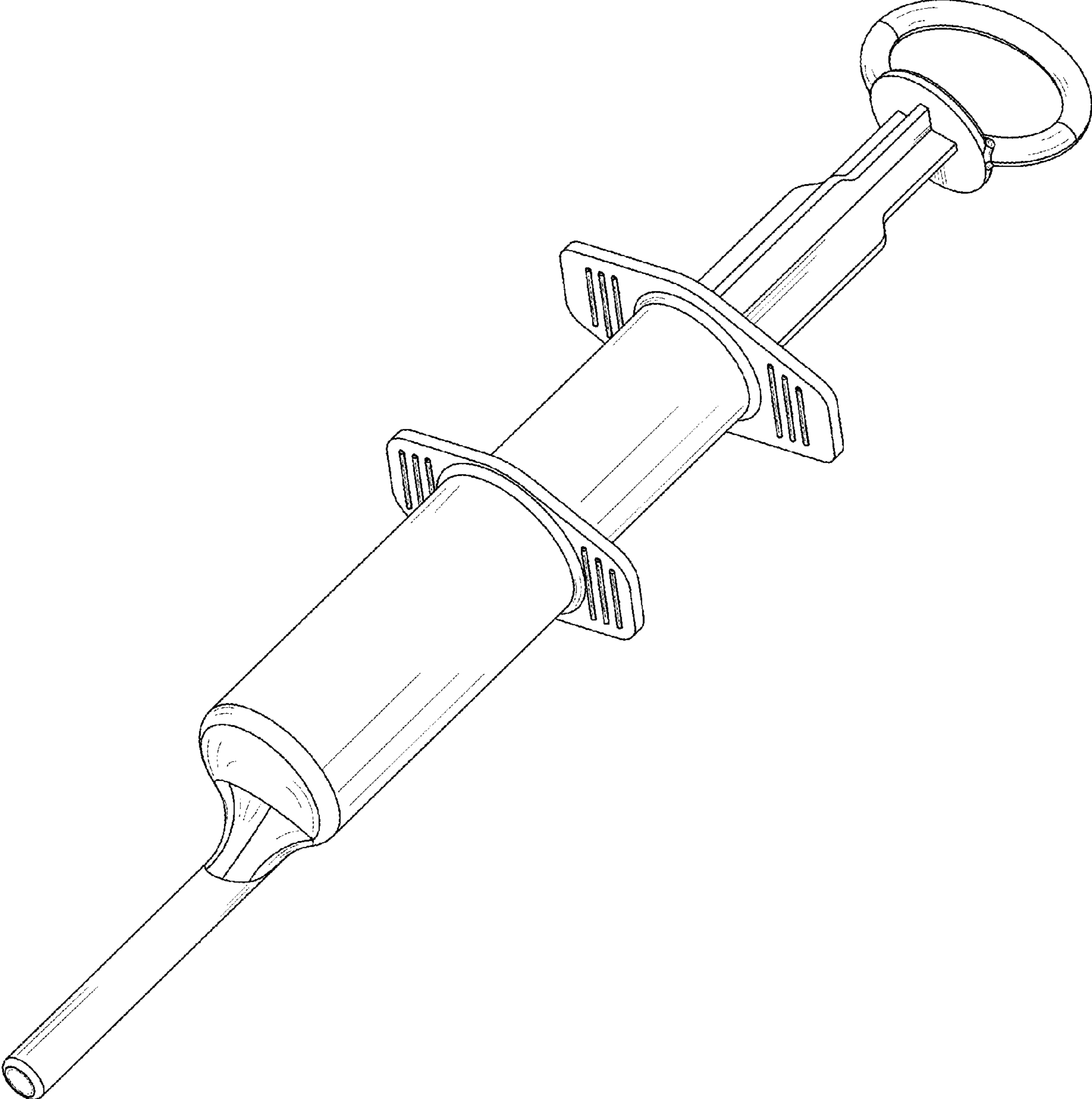


FIG. 1

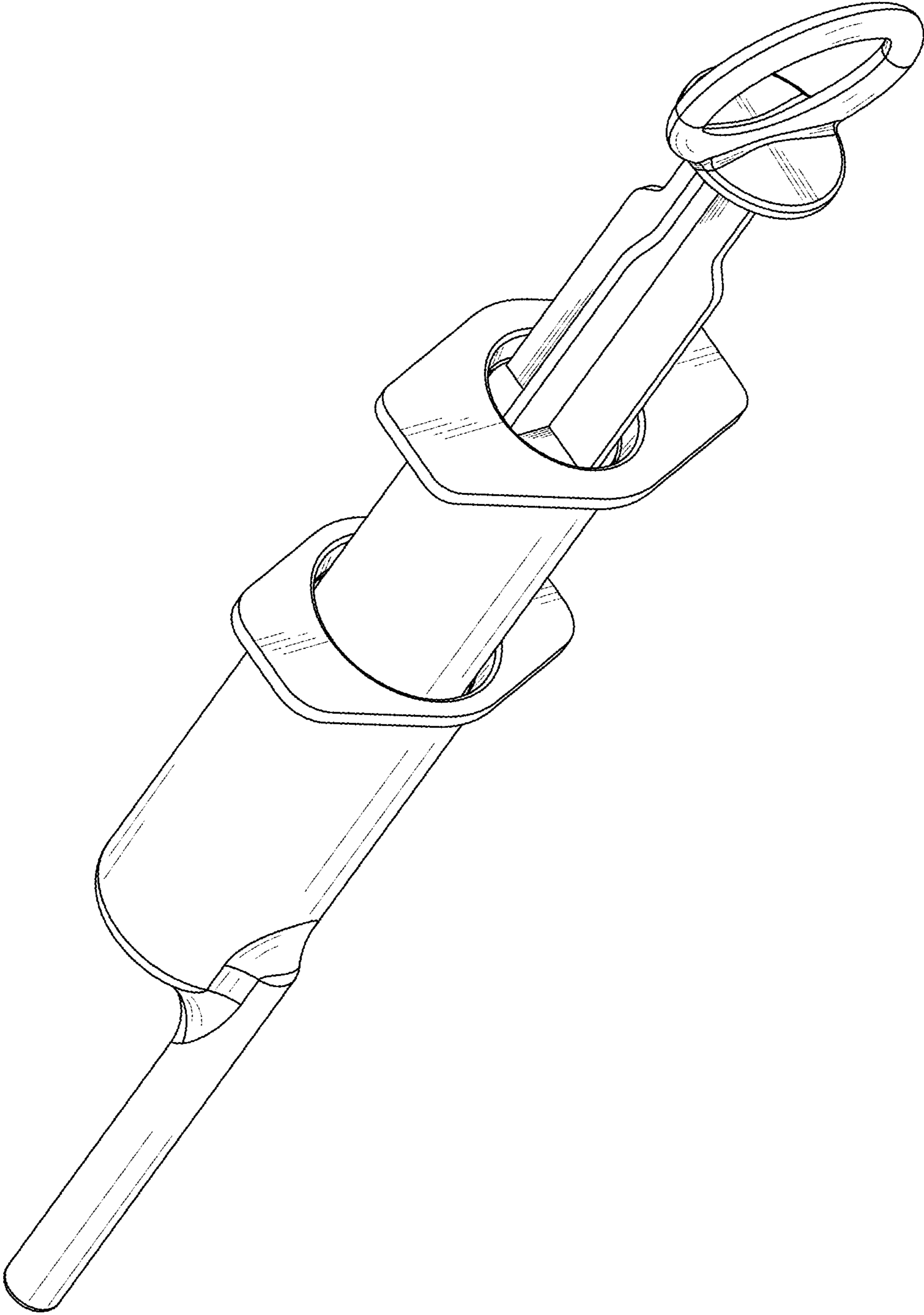


FIG. 2

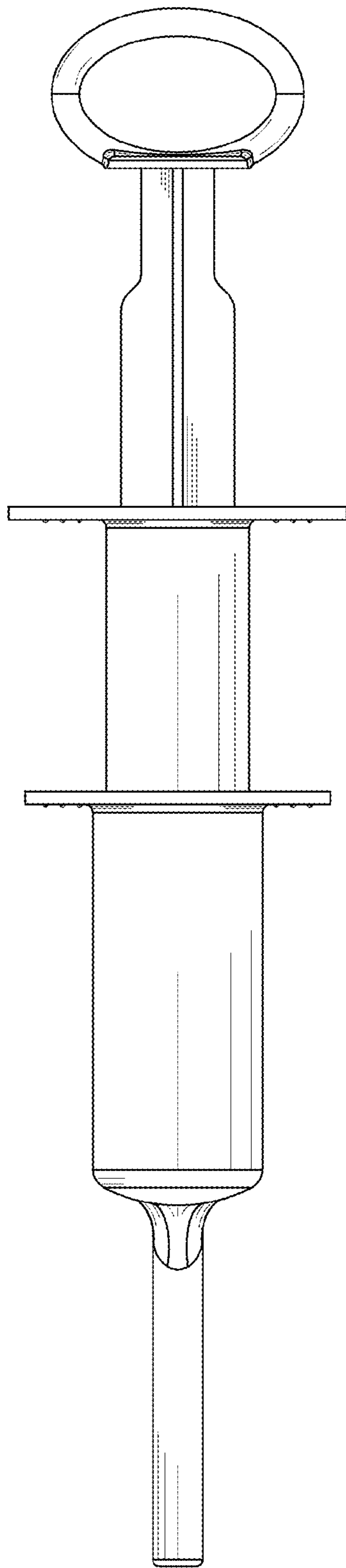


FIG. 3

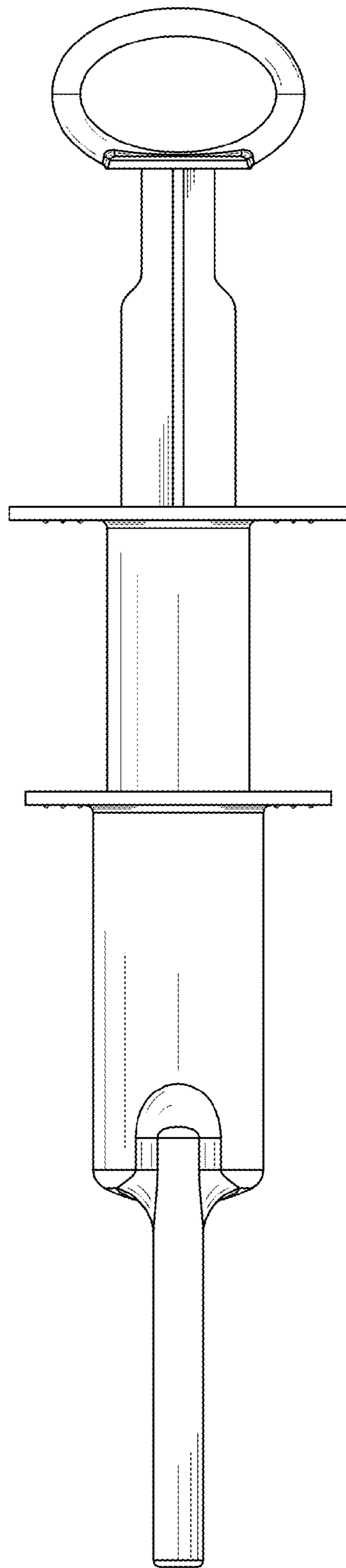


FIG. 4

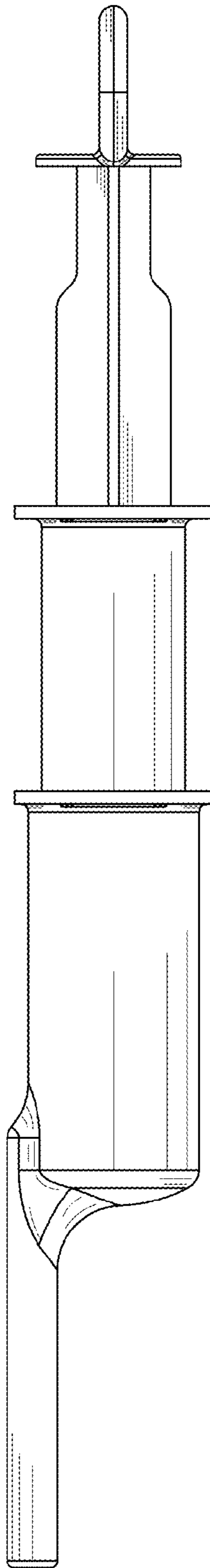


FIG. 5

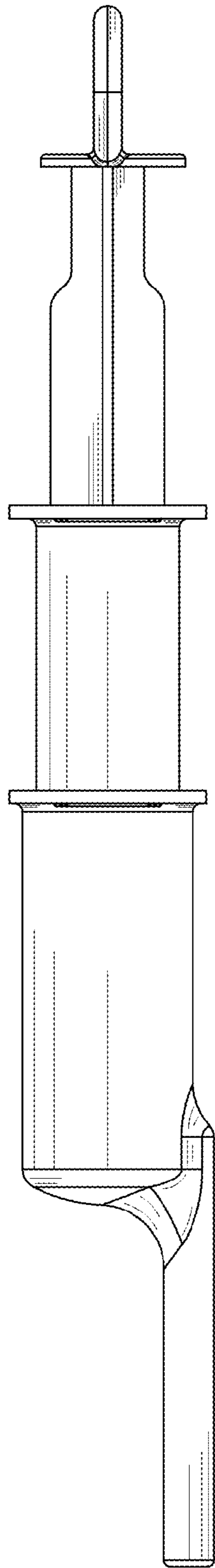


FIG. 6

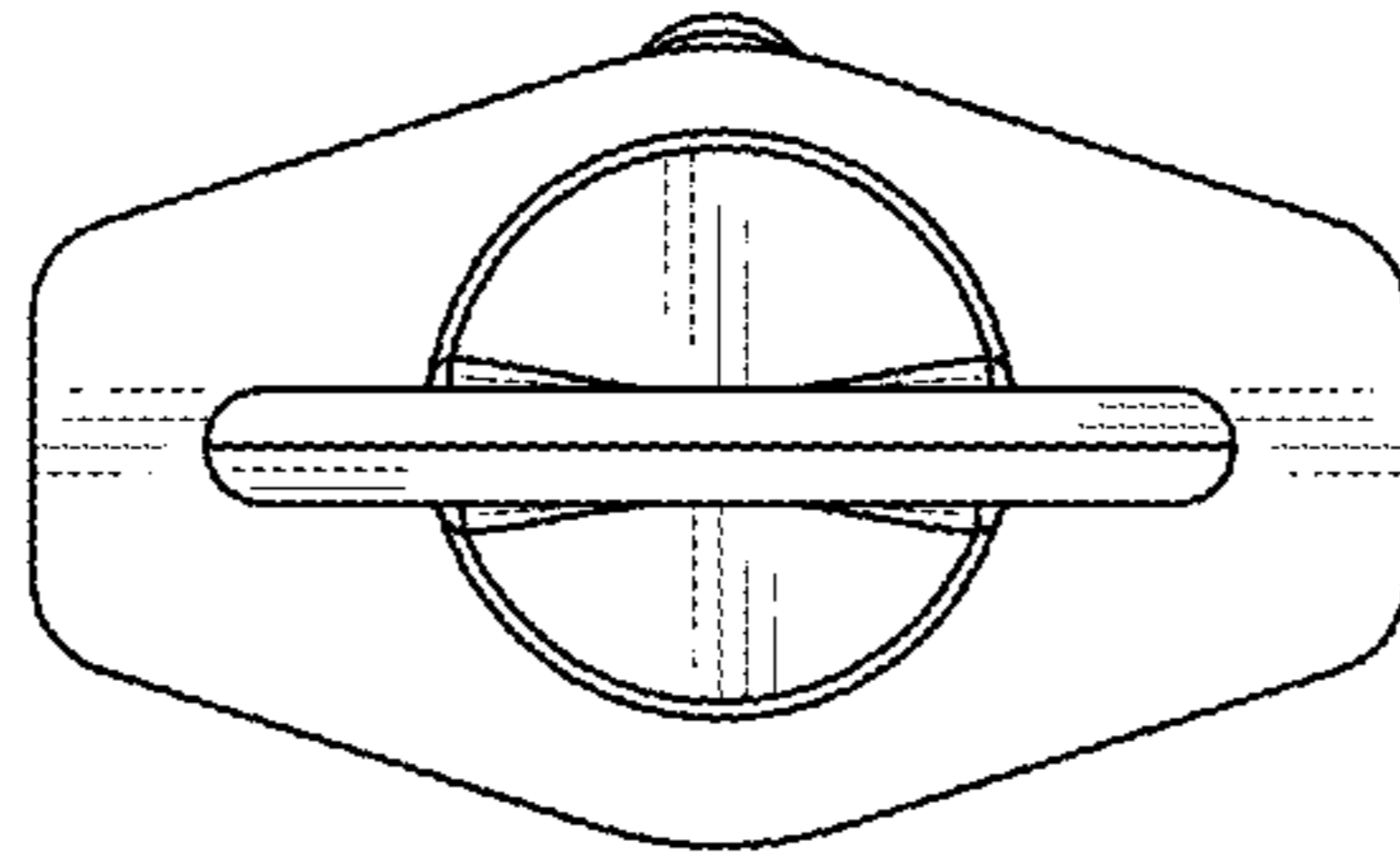


FIG. 7

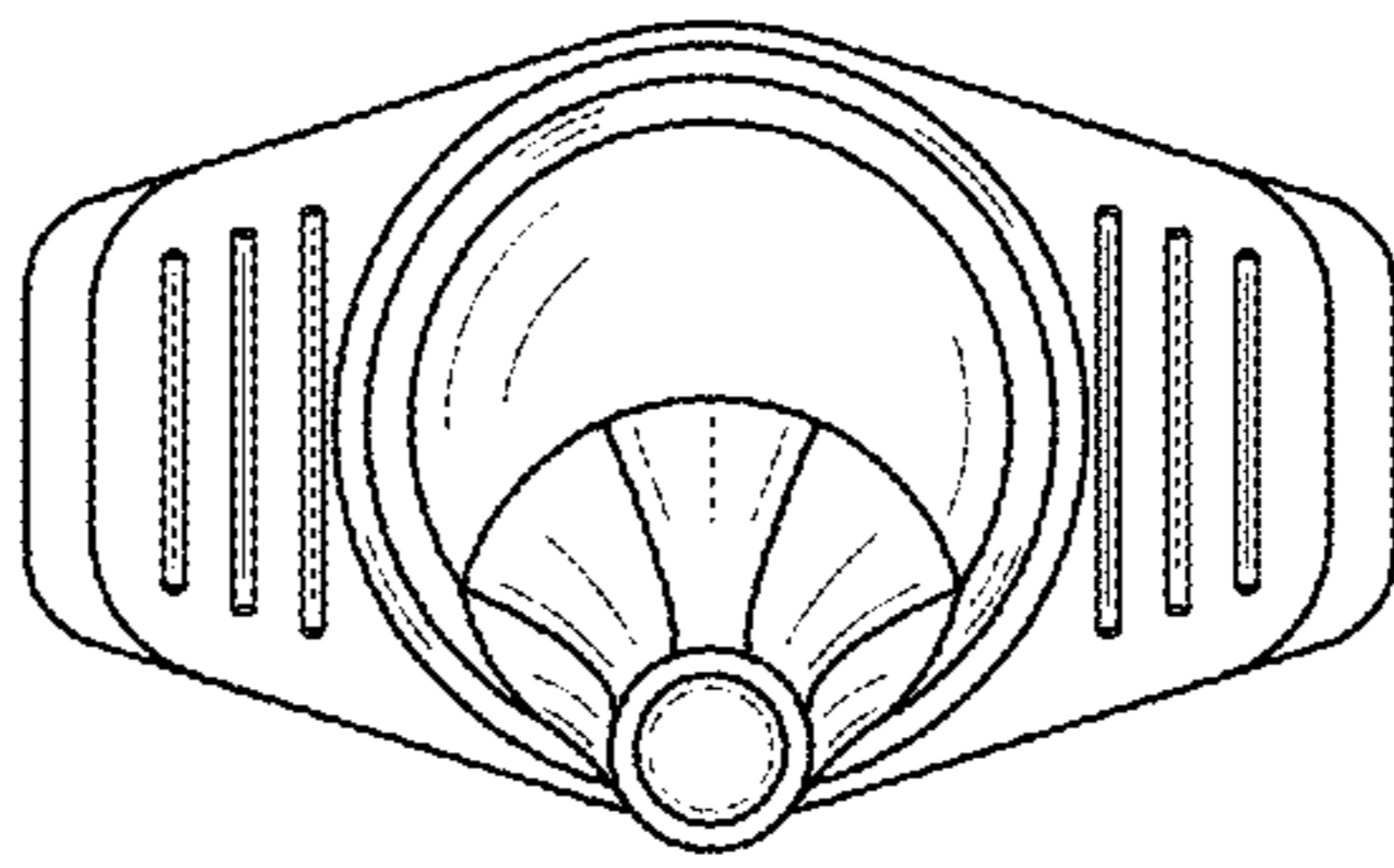


FIG. 8

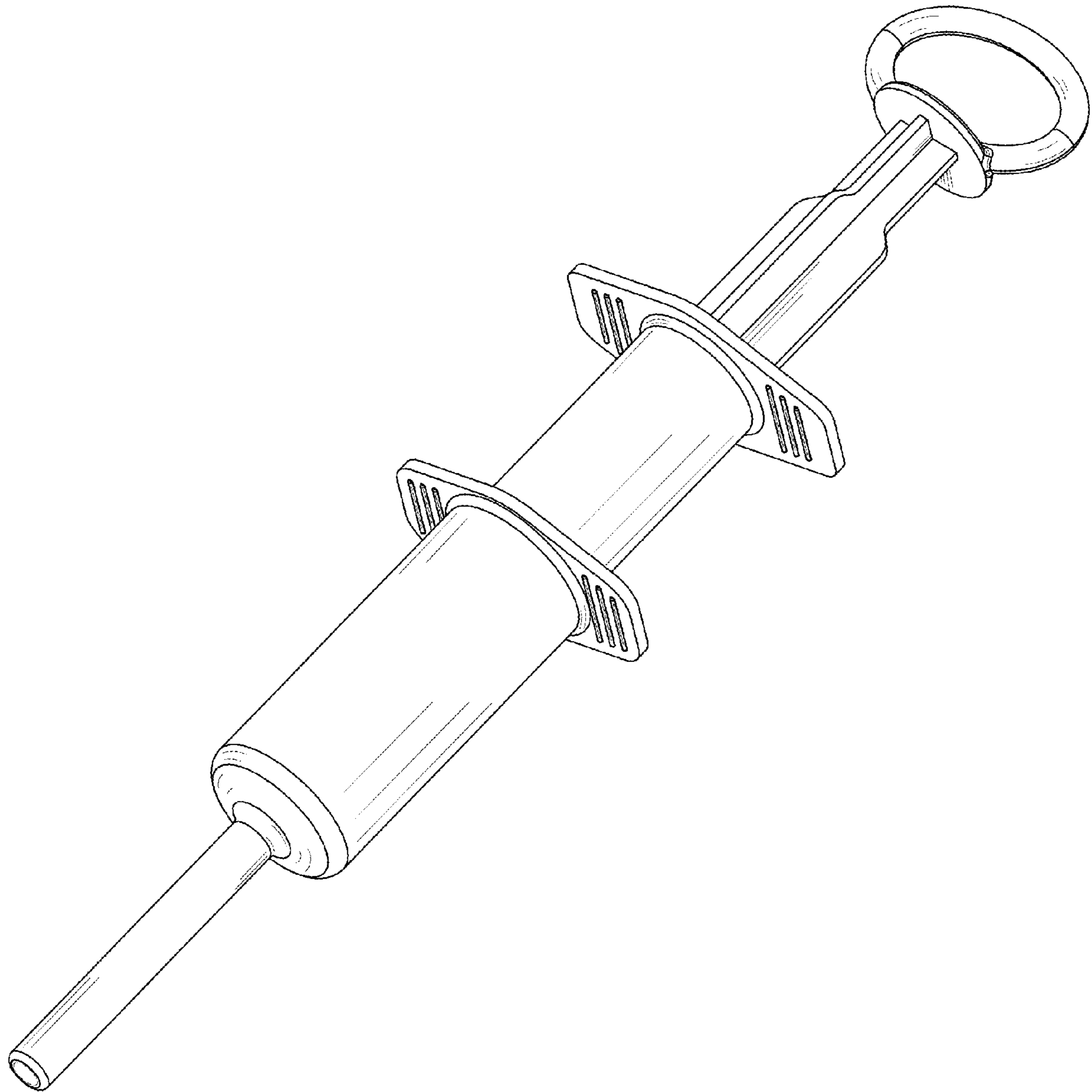


FIG. 9

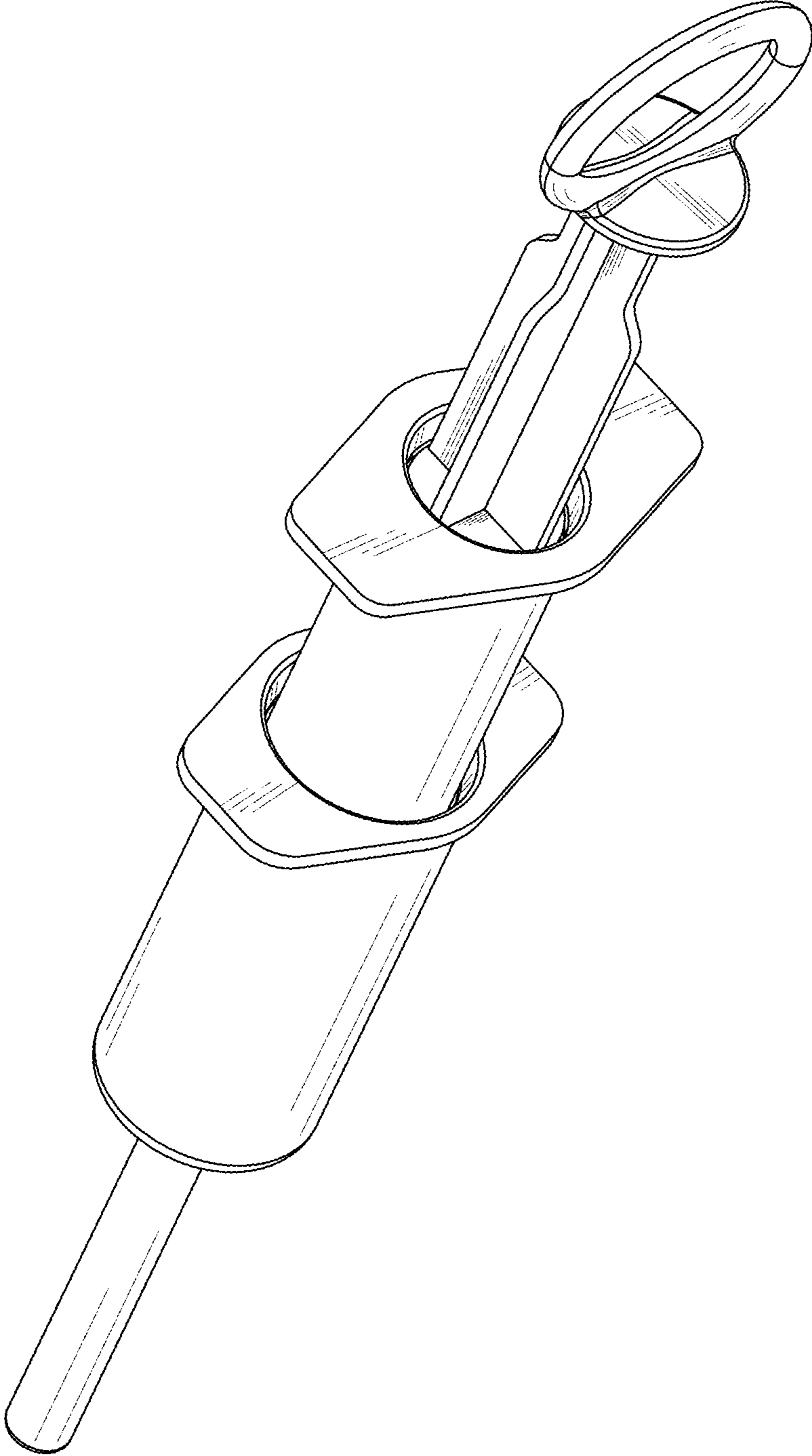


FIG. 10

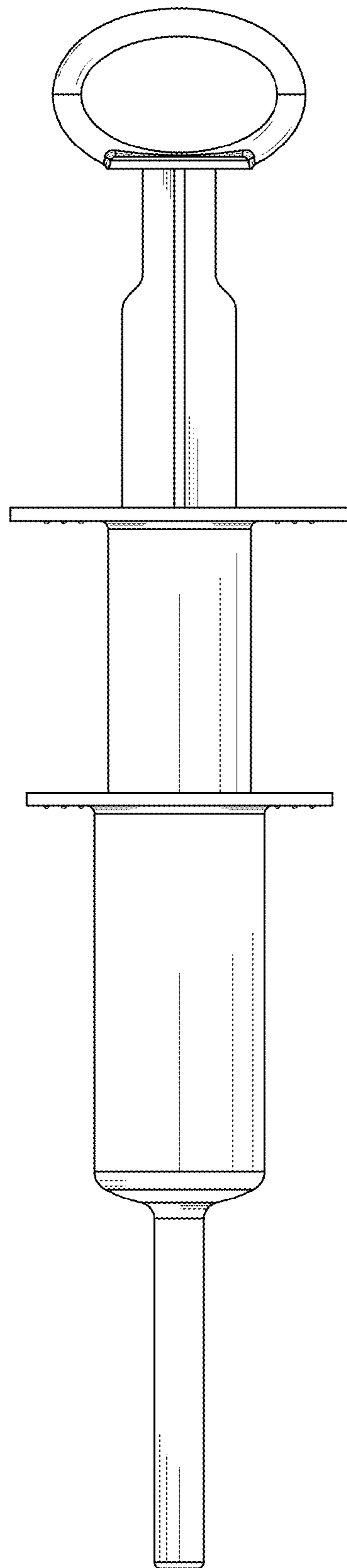


FIG. 11

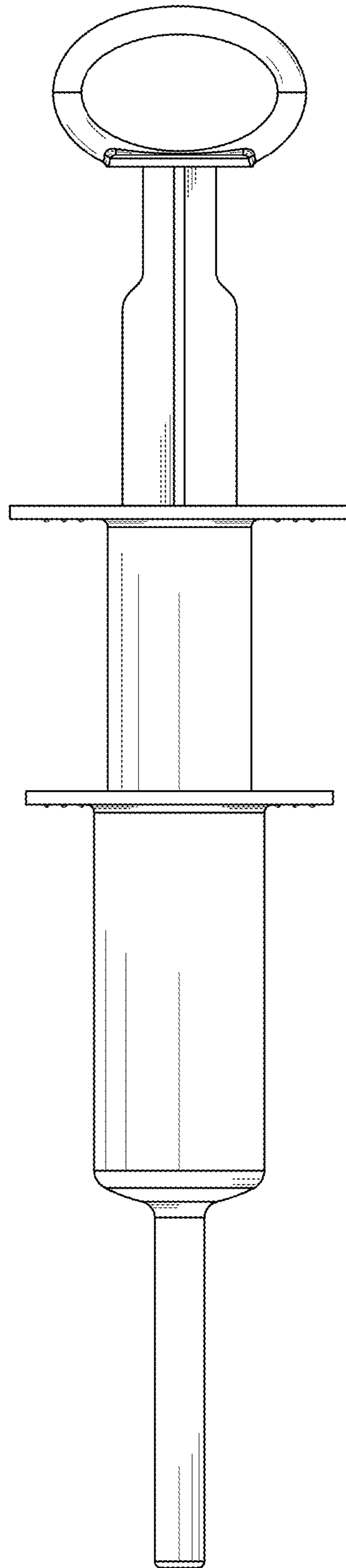


FIG. 12

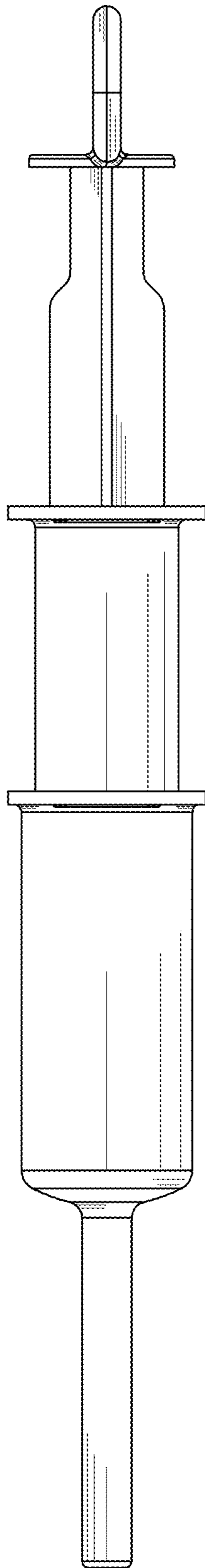


FIG. 13

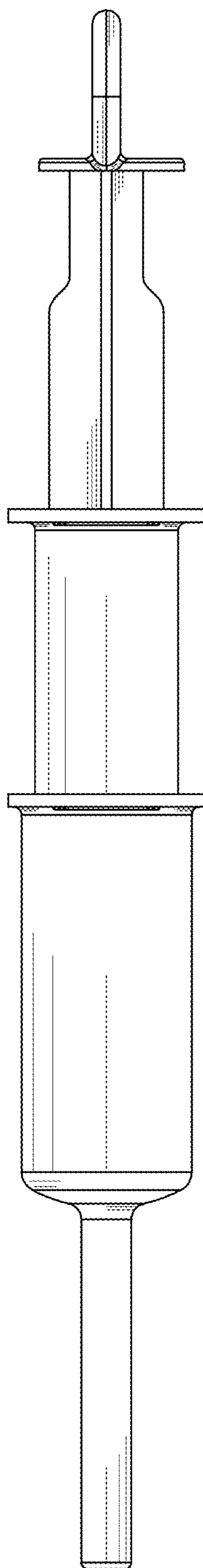


FIG. 14

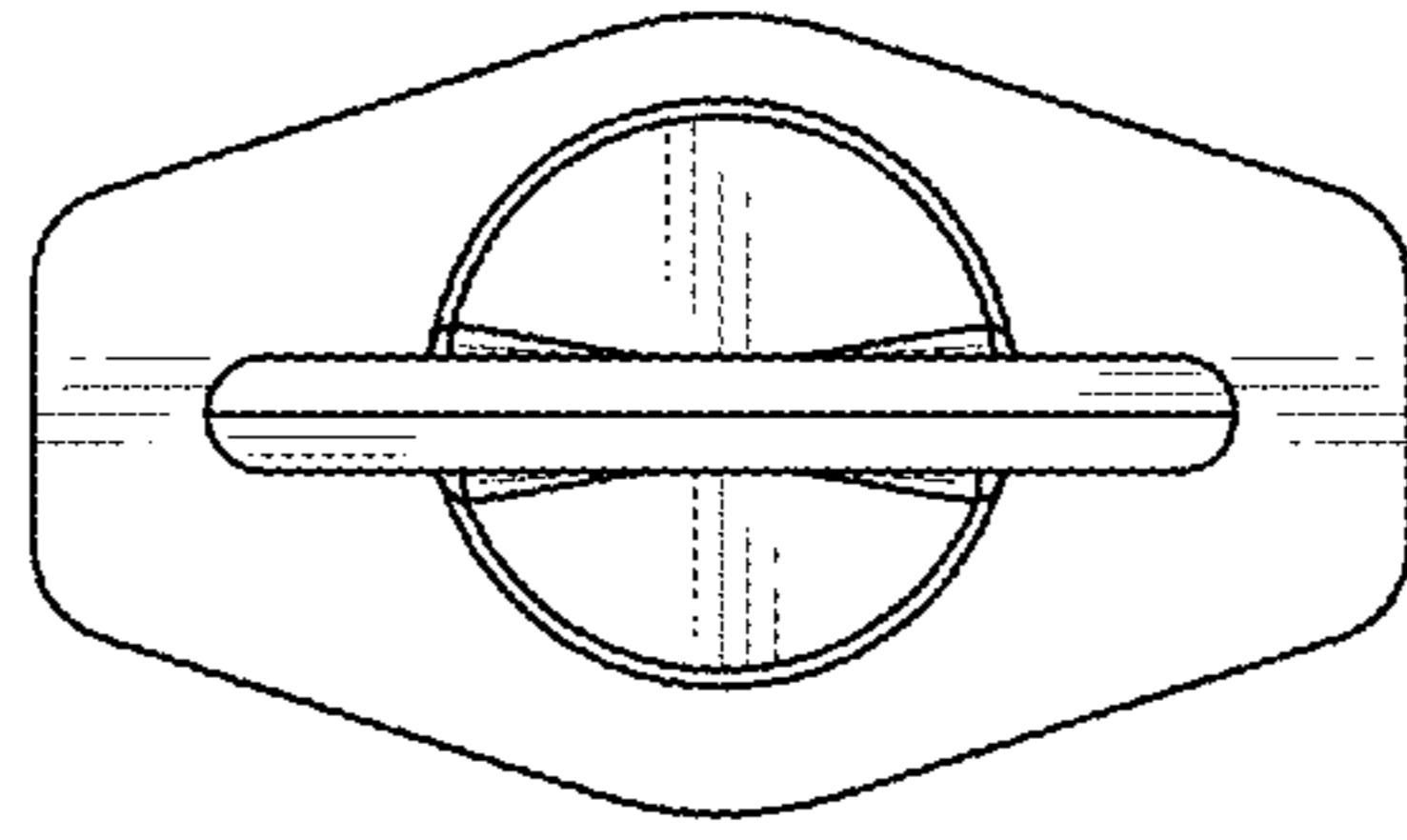


FIG. 15

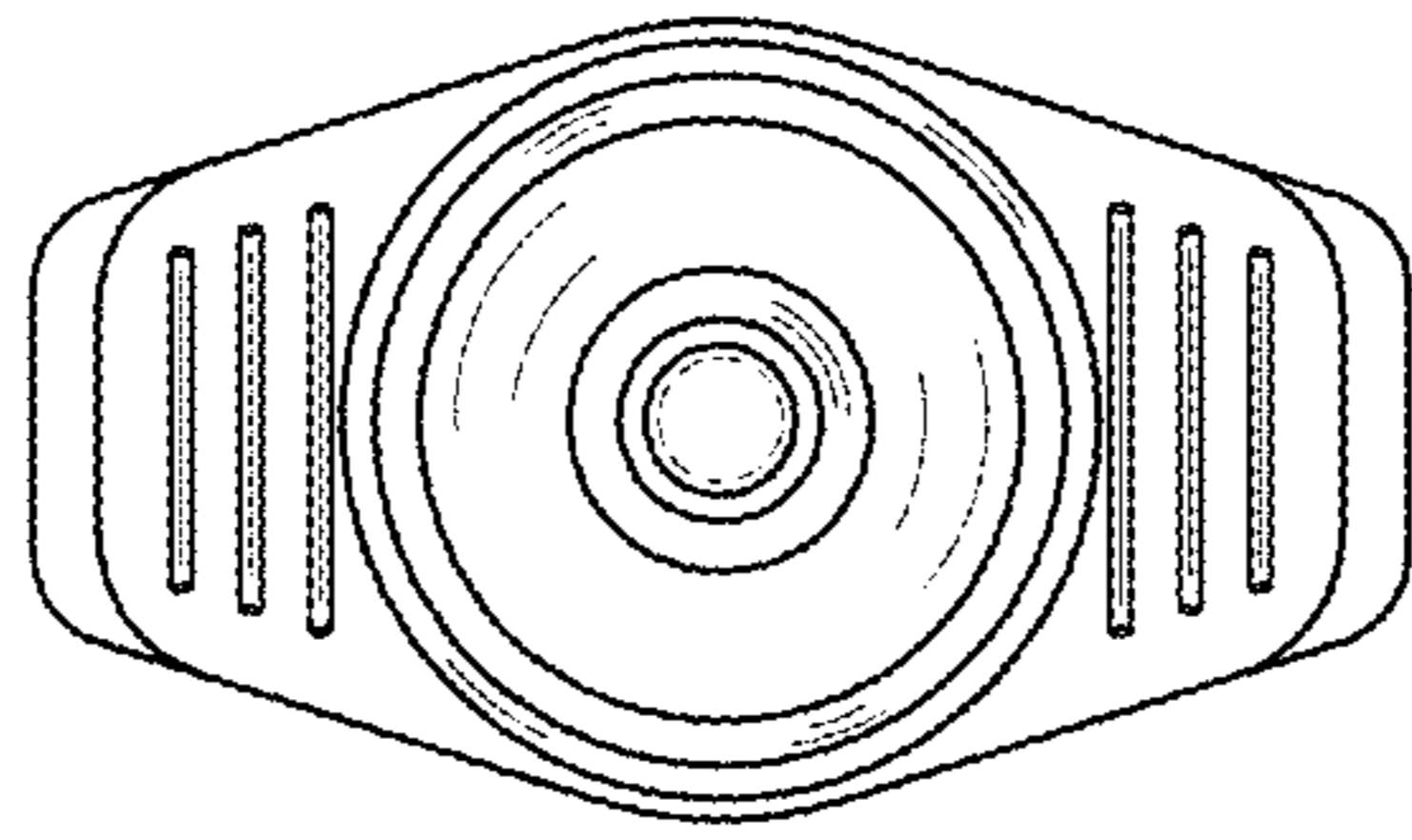


FIG. 16