



US00D970720S

(12) **United States Design Patent**
Gordon et al.

(10) **Patent No.:** **US D970,720 S**

(45) **Date of Patent:** **** Nov. 22, 2022**

- (54) **FRAME OF A NASAL MASK**
- (71) Applicant: **Fisher & Paykel Healthcare Limited**,
Auckland (NZ)
- (72) Inventors: **Callum Ross Gordon**, Auckland (NZ);
Ryan Anthony Graham, Auckland
(NZ); **Bruno Sintive**, Auckland (NZ);
Mark Andrew Thompson, Auckland
(NZ); **Amit Galgali**, Auckland (NZ);
Vicky Dan Gao, Auckland (NZ);
Cameron Robert Willis, Auckland
(NZ); **Jake Baker Hocking**, Auckland
(NZ); **Priyanka Ferdinand Pereira**,
Auckland (NZ)
- (73) Assignee: **Fisher & Paykel Healthcare Limited**,
Auckland (NZ)
- (**) Term: **15 Years**
- (21) Appl. No.: **29/695,955**
- (22) Filed: **Jun. 24, 2019**

2,970,593 A	2/1961	Seeler
3,040,741 A	6/1962	Carolan
3,042,035 A	7/1962	George
3,065,747 A	11/1962	Charles
3,079,917 A	3/1963	Godfrey
3,295,529 A	1/1967	Stephen et al.
3,530,031 A	9/1970	Loew
3,792,702 A	2/1974	Delest
3,815,596 A	6/1974	Keener et al.
3,824,999 A	7/1974	King
3,850,168 A	11/1974	Ferguson et al.
3,850,171 A	11/1974	Ball et al.
4,033,353 A	7/1977	La Rosa
4,454,880 A	6/1984	Muto et al.
4,480,639 A	11/1984	Peterson et al.
4,513,896 A	4/1985	Hirsch
4,753,233 A	6/1988	Grimes
4,915,105 A	4/1990	Lee
4,947,488 A	8/1990	Ashinoff
4,960,121 A	10/1990	Nelson et al.
5,237,986 A	8/1993	Seppala et al.
5,243,971 A	9/1993	Sullivan
5,485,837 A	1/1996	Solesbee et al.
5,560,354 A	10/1996	Berthon-Jones et al.
5,657,752 A	8/1997	Landis et al.
5,676,133 A	10/1997	Hickle et al.
5,724,965 A	3/1998	Handke et al.
5,832,918 A	11/1998	Pantino
5,921,239 A	7/1999	McCall et al.
6,019,101 A	2/2000	Cotner et al.
6,119,694 A	9/2000	Correa et al.
D439,326 S	3/2001	Hecker et al.
6,338,342 B1	1/2002	Fecteau et al.
6,386,198 B1	5/2002	Rugless
6,418,929 B1	7/2002	Norfleet
6,431,172 B1	8/2002	Bordewick
6,467,483 B1	10/2002	Kopacko et al.
6,470,886 B1	10/2002	Jestrabek-Hart
6,497,232 B2	12/2002	Fecteau et al.
6,561,190 B1	5/2003	Kwok
6,581,594 B1	6/2003	Drew et al.
6,584,977 B1	7/2003	Serowski
6,591,837 B1	7/2003	Byram
6,729,333 B2	5/2004	Barnett et al.
6,892,729 B2	5/2005	Smith et al.
6,928,657 B2	8/2005	Bell et al.
6,951,218 B2	10/2005	Gradon et al.
7,077,139 B2	7/2006	Amante et al.
7,255,106 B2	8/2007	Gallem et al.
7,353,827 B2	4/2008	Geist
7,448,386 B2	11/2008	Ho et al.
7,461,656 B2	12/2008	Gunaratnam et al.
D586,907 S	2/2009	Judson et al.

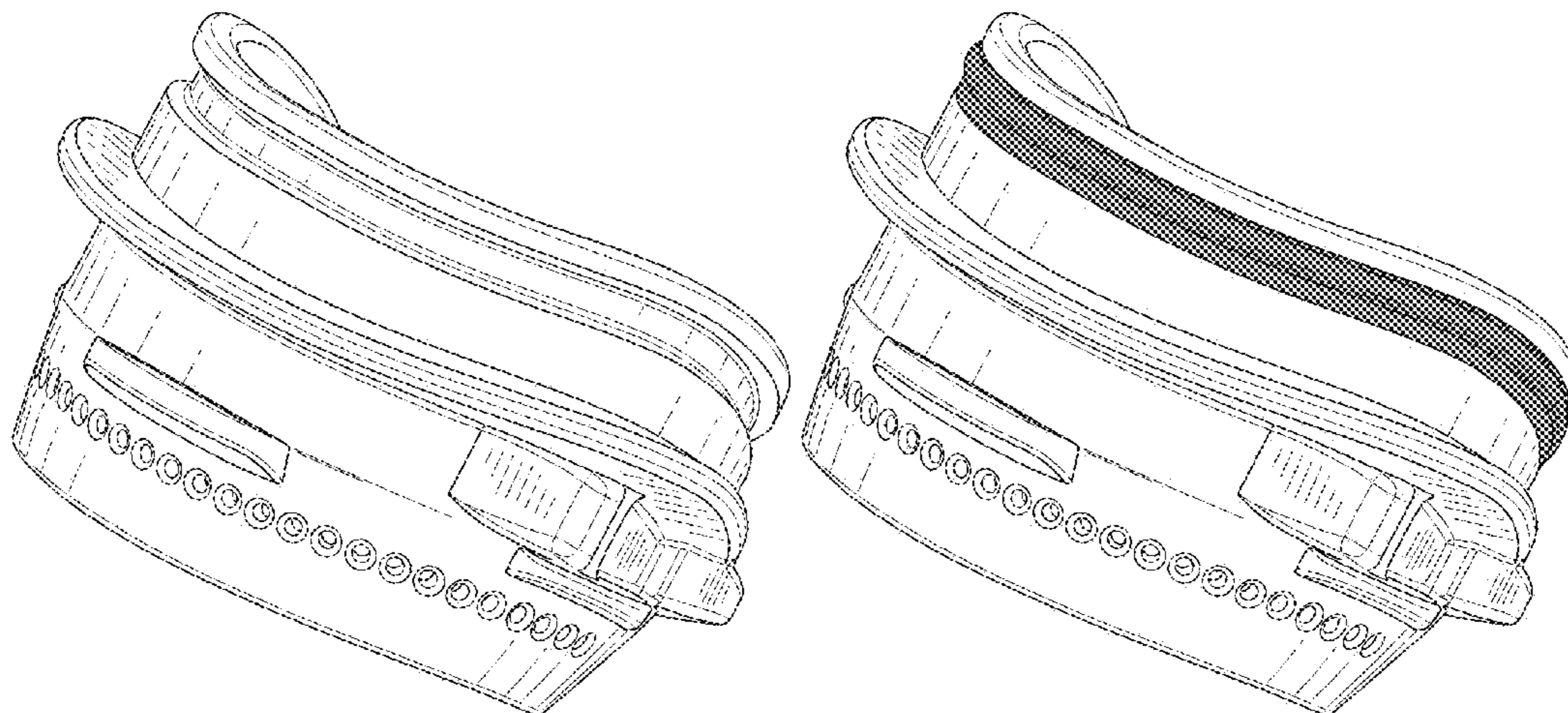
Related U.S. Application Data

- (62) Division of application No. 29/618,347, filed on Sep. 20, 2017, now Pat. No. Des. 855,793.
- (51) **LOC (13) Cl.** **29-02**
- (52) **U.S. Cl.**
USPC **D24/110.4**
- (58) **Field of Classification Search**
USPC D24/110, 110.1, 110.4–110.6, 127
CPC A61M 16/06; A61M 16/0616; A61M
16/0622; A61M 16/0666; A61M 16/0683
See application file for complete search history.

(56) **References Cited**

U.S. PATENT DOCUMENTS

1,610,793 A	12/1926	Leo
2,353,643 A	7/1944	Bulbulian
2,452,722 A	11/1948	Boothby et al.
2,620,794 A	12/1952	George



US D970,720 S

7,493,902 B2	2/2009	White et al.	D880,686 S *	4/2020	Stoks D24/110
7,556,043 B2	7/2009	Ho et al.	D901,003 S *	11/2020	Gardiola D24/110.4
7,658,189 B2	2/2010	Davidson et al.	D923,170 S *	6/2021	Walker D24/110.4
7,703,457 B2	4/2010	Barnett et al.	D938,577 S	12/2021	Blanch et al.
7,743,767 B2	6/2010	Ging et al.	2003/0196655 A1	10/2003	Ging et al.
7,753,051 B2	7/2010	Burrow et al.	2004/0211427 A1	10/2004	Jones et al.
D623,288 S *	9/2010	Lubke D24/110.4	2004/0226566 A1	11/2004	Gunaratnam et al.
7,845,352 B2	12/2010	Sleeper et al.	2005/0051171 A1	3/2005	Booth
7,856,982 B2	12/2010	Matula, Jr. et al.	2005/0076912 A1	4/2005	Eifler et al.
7,874,291 B2	1/2011	Ging et al.	2006/0042629 A1	3/2006	Geist
7,874,293 B2	1/2011	Gunaratnam et al.	2006/0169286 A1	8/2006	Eifler et al.
7,896,003 B2	3/2011	Matula et al.	2007/0062536 A1	3/2007	McAuley et al.
7,931,023 B2	4/2011	Berthon-Jones et al.	2007/0095350 A1	5/2007	Darkin et al.
7,975,694 B2	7/2011	Ho	2007/0175479 A1	8/2007	Groll
7,997,267 B2	8/2011	Ging et al.	2007/0175480 A1	8/2007	Gradon et al.
8,042,546 B2	10/2011	Gunaratnam et al.	2008/0047560 A1	2/2008	Veliss et al.
8,061,355 B2	11/2011	Jaffre et al.	2008/0092904 A1	4/2008	Gunaratnam et al.
D651,303 S	12/2011	Gunaratnam et al.	2008/0092906 A1	4/2008	Gunaratnam et al.
8,100,126 B2	1/2012	McAuley et al.	2008/0190432 A1	8/2008	Blochlinger et al.
D653,748 S	2/2012	Henry et al.	2008/0196727 A1	8/2008	Ho et al.
8,118,027 B2	2/2012	Matula, Jr. et al.	2008/0210241 A1	9/2008	Schulz et al.
D656,231 S	3/2012	Henry et al.	2009/0044808 A1	2/2009	Guney et al.
8,127,764 B2	3/2012	Ho et al.	2009/0078264 A1	3/2009	Martin et al.
8,127,765 B2	3/2012	Ho et al.	2009/0151729 A1	6/2009	Judson et al.
8,132,270 B2	3/2012	Lang et al.	2009/0151733 A1	6/2009	Welchel et al.
8,161,971 B2	4/2012	Jaffe et al.	2009/0199856 A1	8/2009	Berlin
D659,237 S *	5/2012	Lubke D24/110.5	2009/0223519 A1	9/2009	Eifler et al.
8,186,352 B2	5/2012	Gunaratnam et al.	2010/0000544 A1	1/2010	Blaszczkiewicz et al.
D664,250 S	7/2012	Scheiner et al.	2010/0006101 A1	1/2010	McAuley et al.
8,291,906 B2	10/2012	Kooij et al.	2010/0132717 A1	6/2010	Davidson et al.
8,297,285 B2	10/2012	Henry et al.	2010/0192955 A1	8/2010	Biener et al.
8,371,302 B2	2/2013	Ging et al.	2010/0192957 A1	8/2010	Hobson et al.
8,397,728 B2	3/2013	D'Souza et al.	2010/0229868 A1	9/2010	Rummery et al.
8,505,535 B2	8/2013	Jones et al.	2010/0313891 A1	12/2010	Veliss et al.
D691,712 S *	10/2013	Judson D24/110.1	2010/0319700 A1	12/2010	Ng et al.
D692,554 S	10/2013	Siew et al.	2011/0067704 A1	3/2011	Kooij et al.
8,550,084 B2	10/2013	Ng et al.	2011/0126841 A1	6/2011	Matula, Jr. et al.
8,573,201 B2	11/2013	Rummery et al.	2011/0146685 A1	6/2011	Allan et al.
8,573,212 B2	11/2013	Lynch et al.	2011/0232649 A1	9/2011	Collazo et al.
8,636,007 B2	1/2014	Rummery et al.	2011/0240030 A1	10/2011	Ho et al.
D704,329 S	5/2014	Collazo et al.	2011/0247627 A1	10/2011	Omura et al.
D708,736 S	7/2014	Judson et al.	2011/0265796 A1	11/2011	Amarasinghe et al.
D709,181 S	7/2014	Henry et al.	2011/0308526 A1	12/2011	Ho et al.
8,950,404 B2	2/2015	Formica et al.	2011/0315141 A1	12/2011	Lavi et al.
9,032,955 B2	5/2015	Lubke et al.	2012/0037161 A1	2/2012	Ging et al.
9,044,564 B2	6/2015	Dravitzki et al.	2012/0067349 A1	3/2012	Barlow et al.
9,095,673 B2	8/2015	Barlow et al.	2012/0090622 A1	4/2012	Chang
D737,953 S	9/2015	Wells et al.	2012/0132209 A1	5/2012	Rummery et al.
D740,935 S	10/2015	Cullen et al.	2012/0138060 A1	6/2012	Barlow
9,149,594 B2	10/2015	Kooij et al.	2012/0152255 A1	6/2012	Barlow et al.
D743,535 S	11/2015	Wells et al.	2012/0216812 A1	8/2012	Pastoor et al.
D749,205 S	2/2016	Chen et al.	2012/0222680 A1	9/2012	Eves et al.
D751,687 S	3/2016	Daly	2012/0304999 A1	12/2012	Swift et al.
D757,252 S	5/2016	Von Moger et al.	2012/0318270 A1	12/2012	McAuley et al.
D764,049 S	8/2016	Cullen et al.	2013/0000648 A1	1/2013	Madaus et al.
D770,036 S	10/2016	Walls et al.	2013/0037030 A1	2/2013	Matula, Jr.
D771,238 S	11/2016	Scheiner et al.	2013/0042871 A1	2/2013	Chang
9,517,320 B2	12/2016	Barlow et al.	2013/0139822 A1	6/2013	Gibson et al.
9,539,403 B2	1/2017	Eves et al.	2013/0152937 A1	6/2013	Jablonski
D787,661 S *	5/2017	Edwards D24/110.4	2013/0220327 A1	8/2013	Barlow et al.
D787,662 S	5/2017	Guney et al.	2013/0319422 A1	12/2013	Ho et al.
D794,772 S	8/2017	Cullen et al.	2014/0000614 A1	1/2014	Chang
D797,921 S *	9/2017	Huang D24/110.4	2014/0026890 A1	1/2014	Haskard et al.
D798,439 S	9/2017	Siew et al.	2014/0053844 A1	2/2014	Rummery et al.
D805,630 S	12/2017	Formica et al.	2014/0060544 A1	3/2014	Matula, Jr. et al.
D808,516 S	1/2018	Edwards et al.	2014/0073847 A1	3/2014	Mujwid et al.
D815,728 S	4/2018	Walls et al.	2014/0150798 A1	6/2014	Fong et al.
10,039,894 B2	8/2018	Walls et al.	2014/0166018 A1	6/2014	Dravitzki et al.
10,080,856 B2	9/2018	McLaren et al.	2014/0174448 A1	6/2014	Dravitzki et al.
D837,971 S	1/2019	Prentice et al.	2014/0190486 A1	7/2014	Dunn et al.
D841,147 S	2/2019	McCool et al.	2014/0209098 A1	7/2014	Dunn et al.
D841,148 S *	2/2019	Stoks D24/110	2014/0238402 A1	8/2014	Austin et al.
D849,930 S	5/2019	Walls et al.	2015/0090268 A1	4/2015	Madaus et al.
10,328,226 B2 *	6/2019	Allan A61M 16/0816	2015/0128953 A1	5/2015	Formica et al.
D861,857 S *	10/2019	Huang D24/110.4	2015/0151071 A1	6/2015	Moger et al.
D867,577 S	11/2019	Walls et al.	2015/0174355 A1	6/2015	Willard et al.
D874,646 S	2/2020	Gordon et al.	2015/0283349 A1 *	10/2015	McLaren A61M 16/06
D875,242 S	2/2020	Gordon			128/206.21
D879,287 S	3/2020	Walls et al.	2015/0290415 A1	10/2015	Dunn

2015/0352307	A1	12/2015	Rutan	
2016/0074611	A1	3/2016	Higgins et al.	
2016/0074614	A1	3/2016	Huddart et al.	
2016/0151596	A1	6/2016	Slight	
2016/0287830	A1	10/2016	Walls et al.	
2017/0000964	A1	1/2017	Shafer	
2017/0049984	A1	2/2017	Biener et al.	
2017/0326320	A1	11/2017	Baigent et al.	
2017/0368285	A1	12/2017	Wood	
2018/0001044	A1	1/2018	Stephens et al.	
2018/0207385	A1	7/2018	Freestone et al.	
2018/0256844	A1	9/2018	Galgali et al.	
2018/0272094	A1	9/2018	Eves et al.	
2018/0289912	A1	10/2018	McAuley et al.	
2018/0304036	A1	10/2018	Huang et al.	
2019/0022343	A1	1/2019	Kooij et al.	
2019/0030272	A1	1/2019	Graham et al.	
2019/0151592	A1	5/2019	Bornholdt et al.	
2019/0217039	A1	7/2019	Hocking et al.	
2020/0061398	A1	2/2020	Rummary et al.	
2020/0197649	A1*	6/2020	Haibach	A61M 16/0683
2020/0230343	A1	7/2020	Sims et al.	
2020/0282169	A1	9/2020	Pereira et al.	
2021/0008316	A1	1/2021	Mclaren et al.	

FOREIGN PATENT DOCUMENTS

AU	2005/100738	11/2005
EP	1057494	12/2000
EP	1488820	12/2004
EP	1163923	12/2011
EP	2444113	4/2012
EP	2481435	8/2012
GB	377926	8/1932
GB	823887	11/1959
GB	826198	12/1959
GB	880942	10/1961
GB	974960	11/1964
GB	1049604	11/1966
GB	2367757	4/2002
WO	WO 1993/021788	11/1993
WO	WO 1997/000092	1/1997
WO	WO 1997/048432	12/1997
WO	WO 2002/11804	2/2002
WO	WO2004/073778	9/2004
WO	WO 2005/094928	10/2005
WO	WO 2008/007985	1/2008
WO	WO 2009/026627	3/2009
WO	WO 2009/052560	4/2009
WO	WO 2009/144695	12/2009
WO	WO 2010/131189	11/2010
WO	WO 2011/062510	5/2011
WO	WO 2011/142678	11/2011
WO	WO 2012/028995	3/2012
WO	WO 2012/045127	4/2012
WO	WO 2012/052902	4/2012
WO	WO 2012/055886	5/2012
WO	WO 2013/006065	1/2013
WO	WO 2013/071359	5/2013
WO	WO 2013/170290	11/2013
WO	WO 2014/015382	1/2014
WO	WO 2014/015383	1/2014
WO	WO 2014/110626	7/2014
WO	WO 2014110622	7/2014
WO	WO 2014/124323	8/2014
WO	WO 2015/070289	5/2015

OTHER PUBLICATIONS

Respironics Cushion (available [online]) Retrieved Jun. 18, 2022 from Internet URL: <https://www.walmart.com/ip/Respironics-Cushion-for-Wisp-CPAP-Nasal-Interface-S-M-1094087/269713486> (Year: 2022).*

Respironics Comfort (available [online]) Retrieved Jun. 18, 2022 from Internet URL: <https://www.walmart.com/ip/Respironics-Comfort-Gel-Blue-Large-Cushion-and-Flap/735935149> (Year: 2022).*

U.S. Appl. No. 29/596,664, filed Mar. 9, 2017, Gordon, et al.
 U.S. Appl. No. 29/596,665, filed Mar. 9, 2017, Gordon, et al.
 U.S. Appl. No. 29/718,342, filed Dec. 23, 2019, Gordon, et al.
 U.S. Appl. No. 29/618,346, filed Sep. 20, 2017, Gordon, et al.
 U.S. Appl. No. 29/618,347, filed Sep. 20, 2017, Gordon, et al.
 U.S. Appl. No. 29/719,100, filed Dec. 31, 2019, Gordon, et al.
 European Examination Report, 004248086-0001/004248086-0006, dated Jan. 4, 2018, 6 pages.
 Canadian Intellectual Property Office, Examination Report, Application No. 190395, dated Nov. 19, 2019, in 22 pages.
 Canadian Intellectual Property Office, Examination Report, Application No. 190393, dated Nov. 19, 2019, in 22 pages.
 Canadian Intellectual Property Office, Examination Report, Application No. 190394, dated Nov. 19, 2019, in 33 pages.
 Canadian Intellectual Property Office, Examination Report, Application No. 190390, dated Nov. 19, 2019, in 24 pages.
 Canadian Intellectual Property Office, Examination Report, Application No. 190392, dated Nov. 19, 2019, in 22 pages.
 Canadian Intellectual Property Office, Examination Report, Application No. 190391, dated Nov. 19, 2019, in 22 pages.
 Canadian Intellectual Property Office, Examination Subsequent Report, Application No. 180450, dated Nov. 19, 2019, in 12 pages.
 F&P Evora Nasal Mask Use and Care Guide. Copyright date: Feb. 2020. Retrieval date: Feb. 7, 2022. Retrieved from internet: <https://resources.fphcare.com/content/ui-615865-evora-nasal-userinstructions-a-model.pdf> (Year: 2020).

* cited by examiner

Primary Examiner — Richard Kearney
Assistant Examiner — Michael Hoffman
 (74) *Attorney, Agent, or Firm* — Knobbe Martens Olson & Bear, LLP

(57) **CLAIM**

The ornamental design for a frame of a nasal mask, as shown and described.

DESCRIPTION

The patent or application file contains at least one drawing executed in color. Copies of this patent or patent application publication with color drawing(s) will be provided by the Office upon request and payment of the necessary fee.
 FIG. 1 is a top, front and side perspective view of a first embodiment of a frame of a nasal mask embodying our new design;
 FIG. 2 is a front view thereof;
 FIG. 3 is a rear view thereof;
 FIG. 4 is a first side view thereof;
 FIG. 5 is a second side view thereof;
 FIG. 6 is a top view thereof;
 FIG. 7 is a bottom view thereof, and
 FIG. 8 is a top, front and side perspective view of a second embodiment of a frame of a nasal mask embodying our new design;
 FIG. 9 is a front view thereof;
 FIG. 10 is a rear view thereof;
 FIG. 11 is a first side view thereof;
 FIG. 12 is a second side view thereof;
 FIG. 13 is a top view thereof; and,
 FIG. 14 is a bottom view thereof.
 In the second embodiment of a frame of a nasal mask, the illustrated blue color is a claimed feature of our design.

1 Claim, 14 Drawing Sheets
(7 of 14 Drawing Sheet(s) Filed in Color)

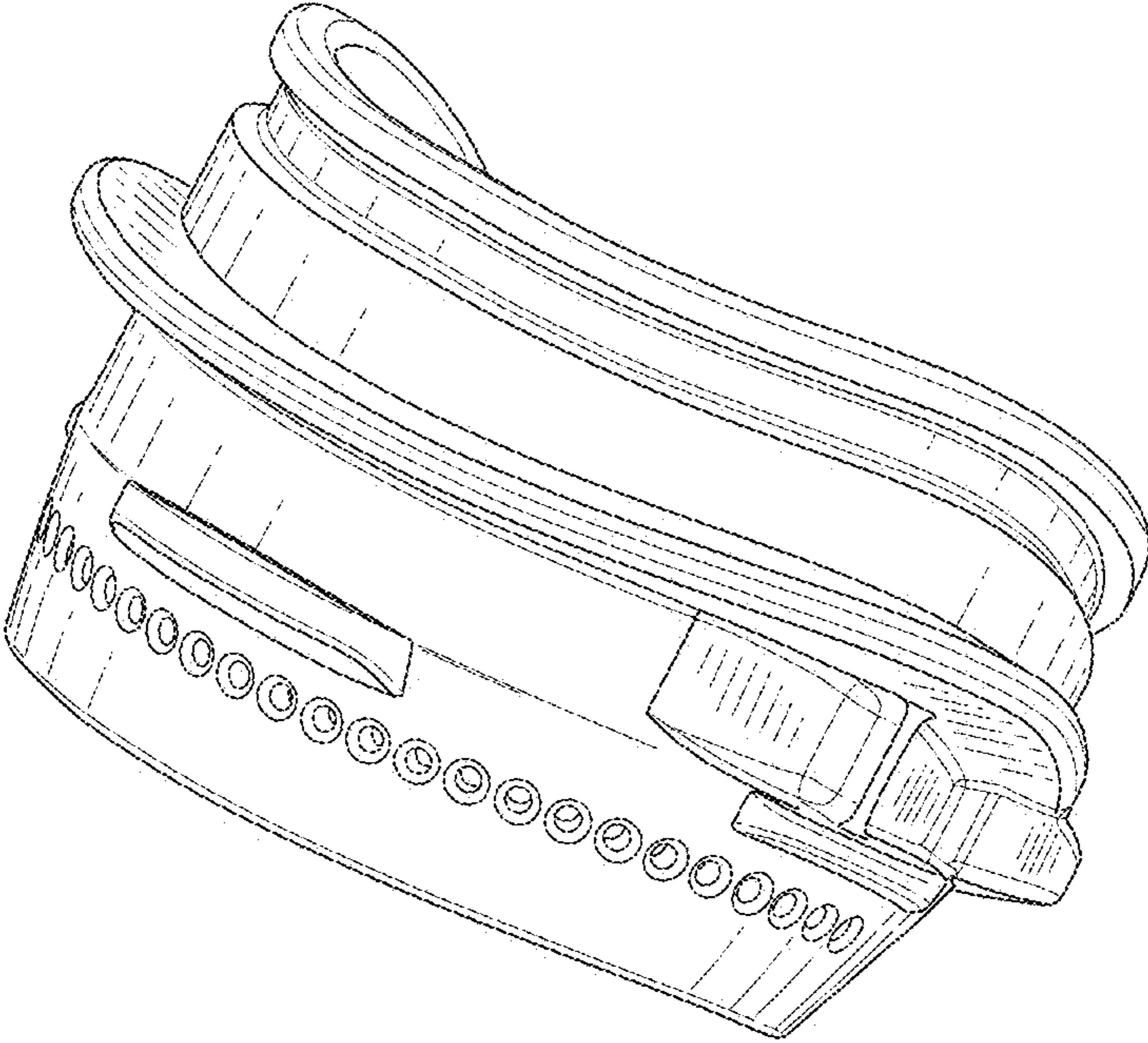


FIGURE 1

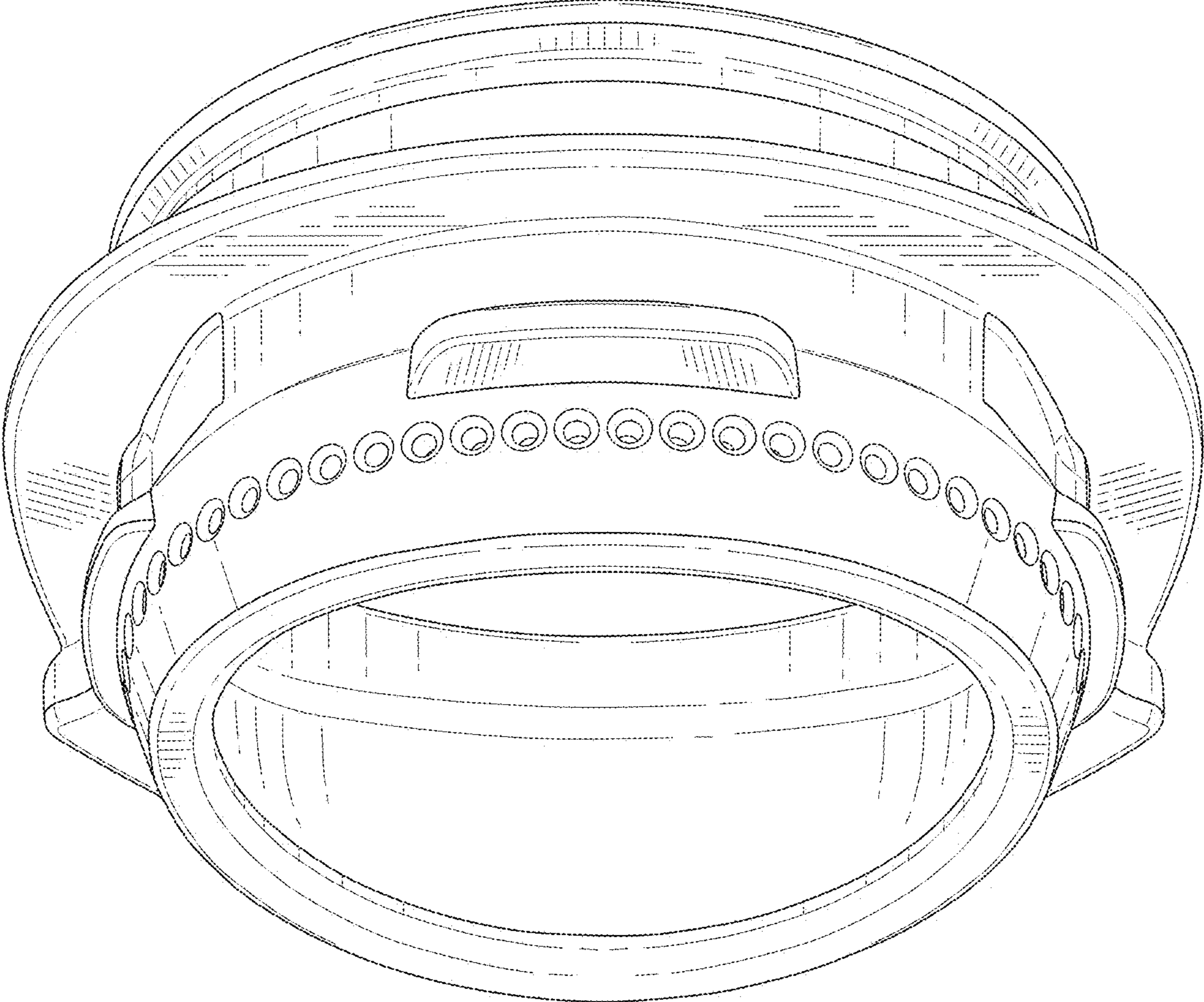


FIGURE 2

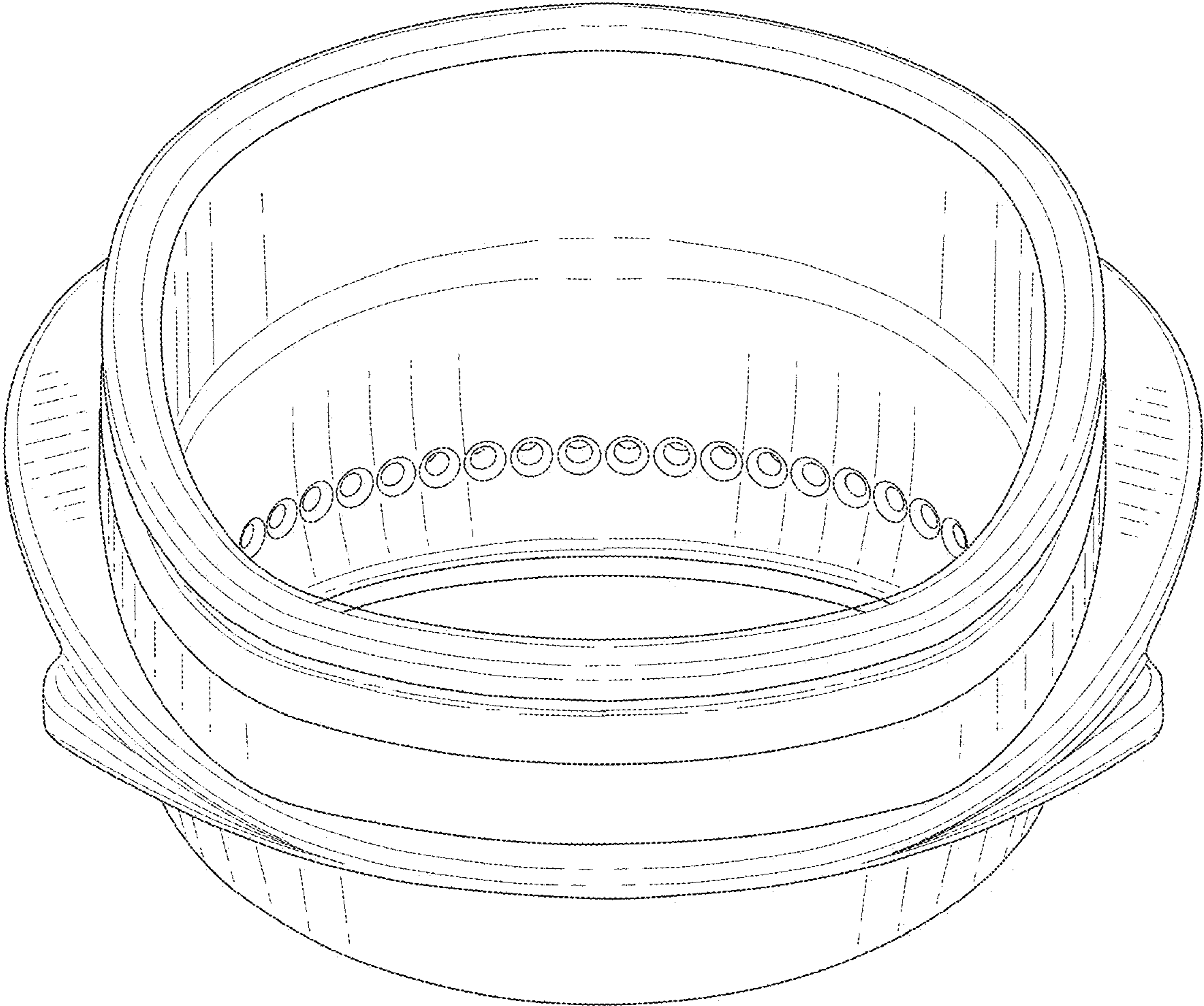


FIGURE 3

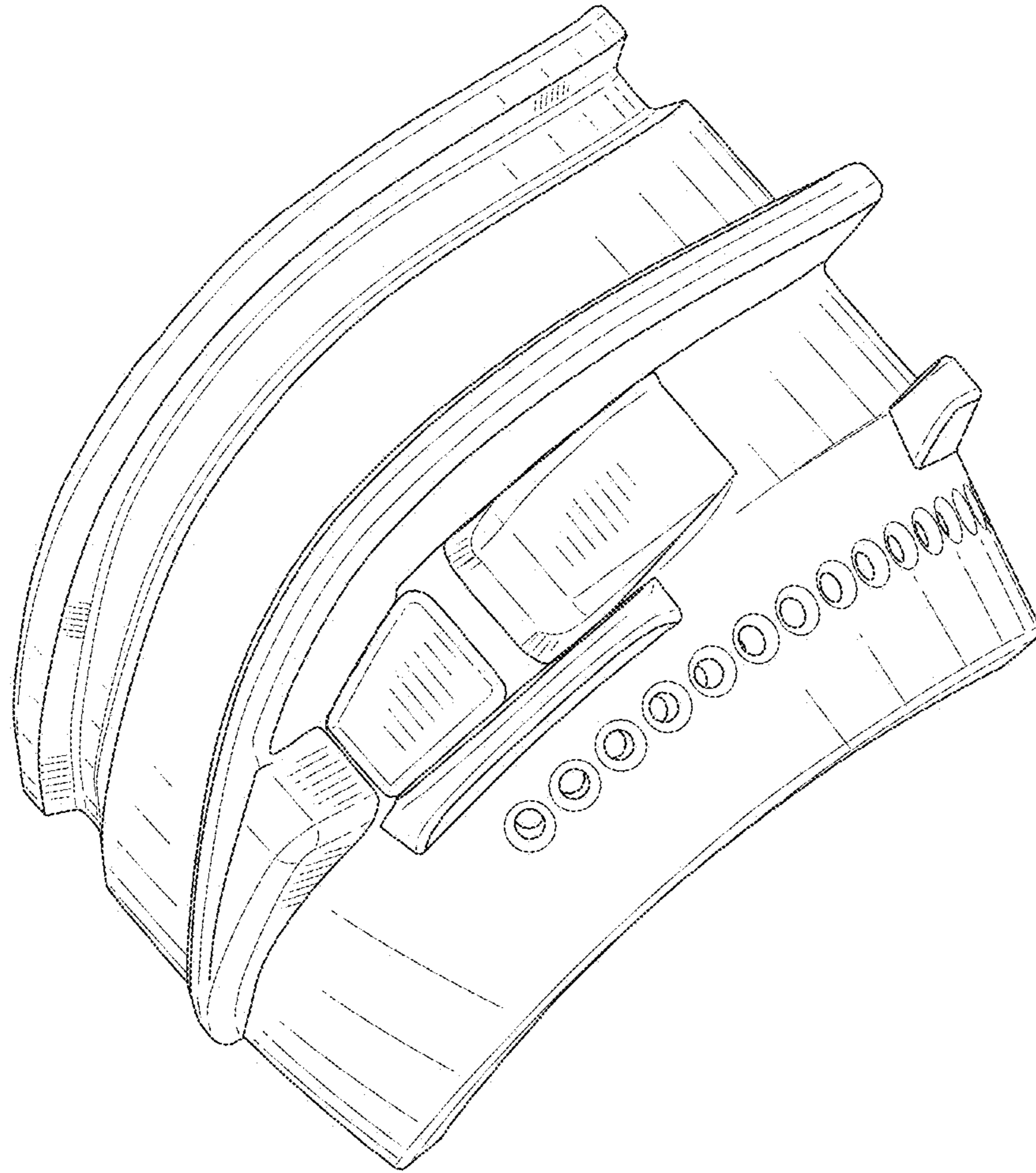


FIGURE 4

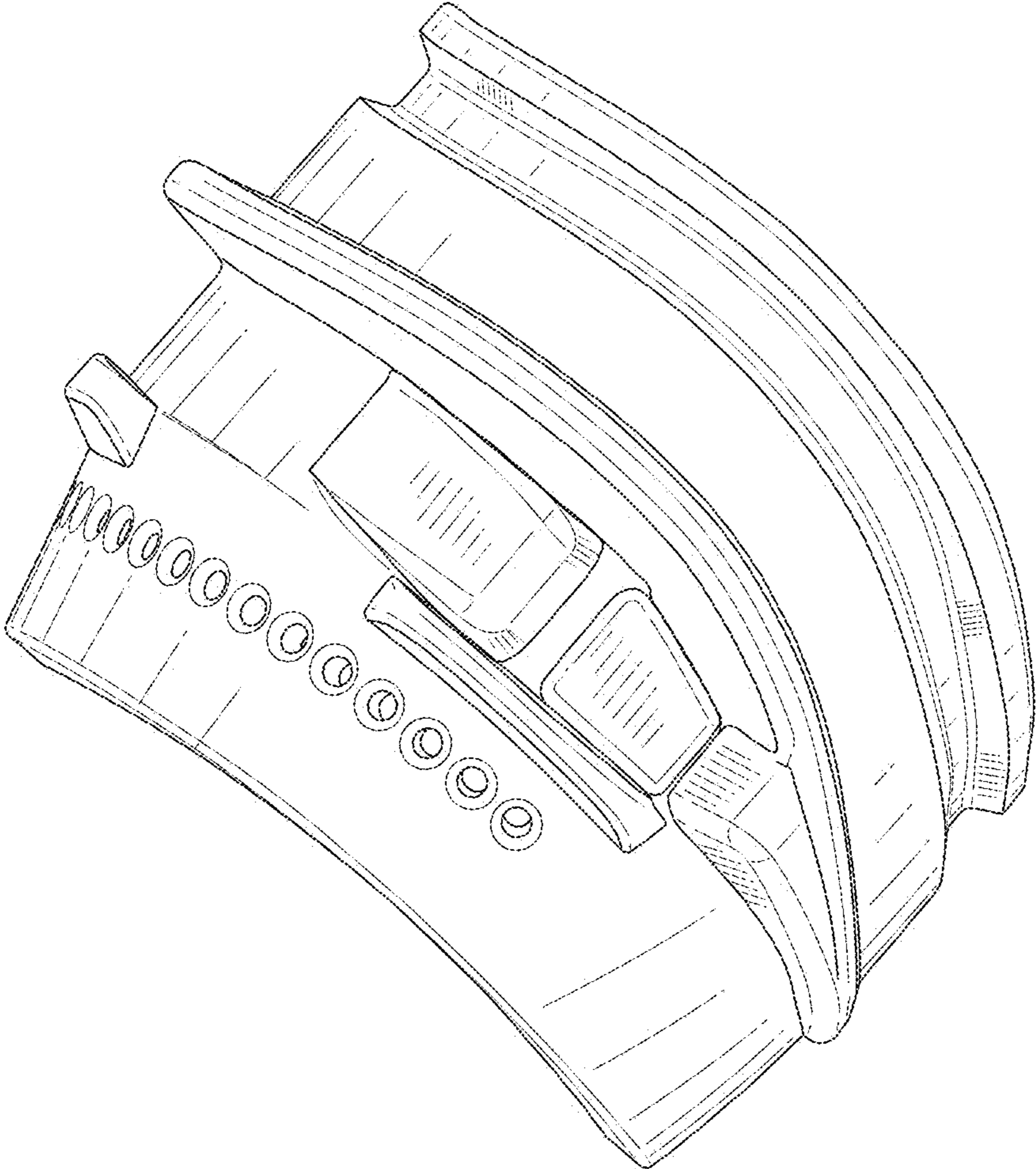


FIGURE 5

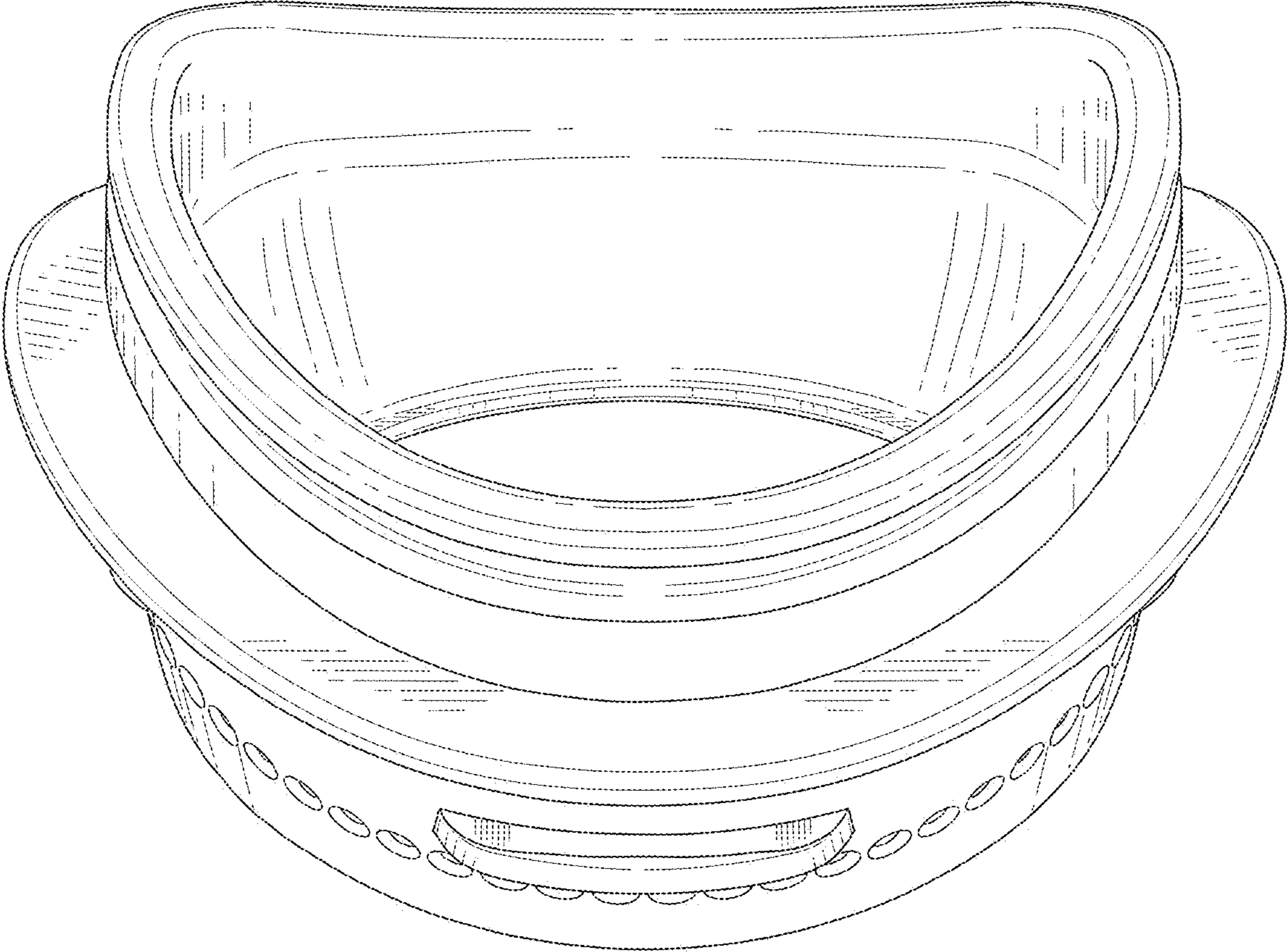


FIGURE 6

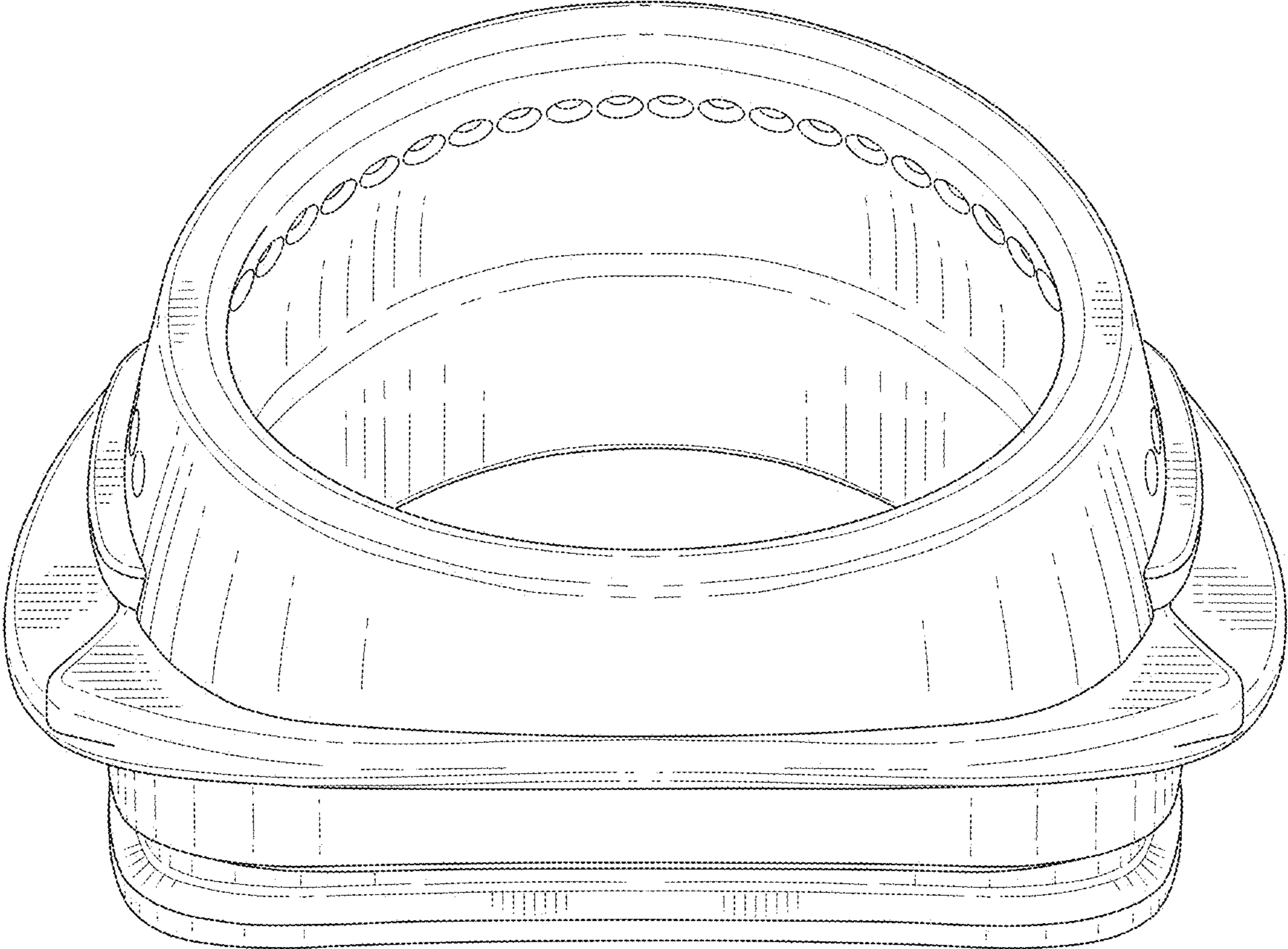


FIGURE 7

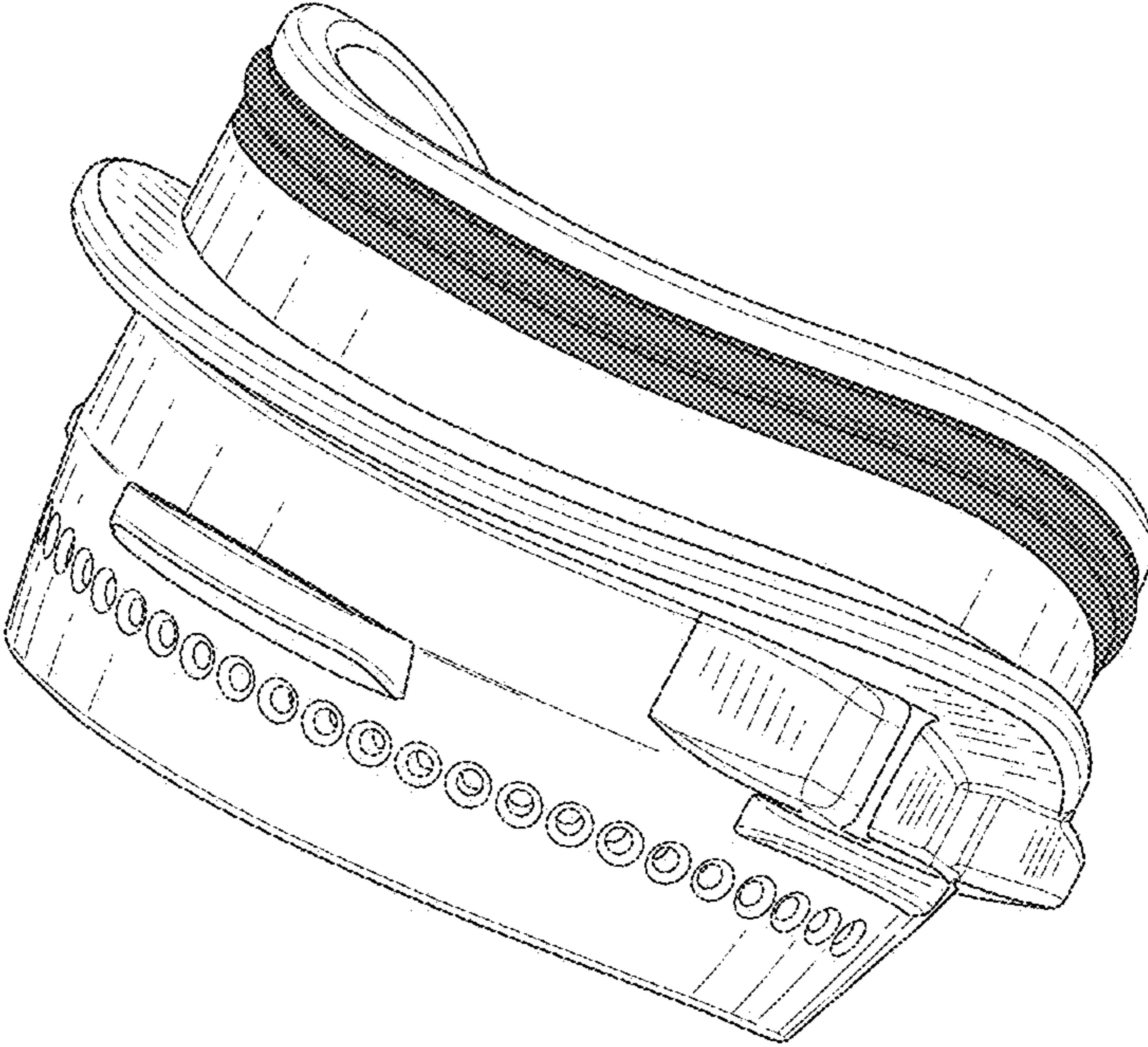


FIGURE 8

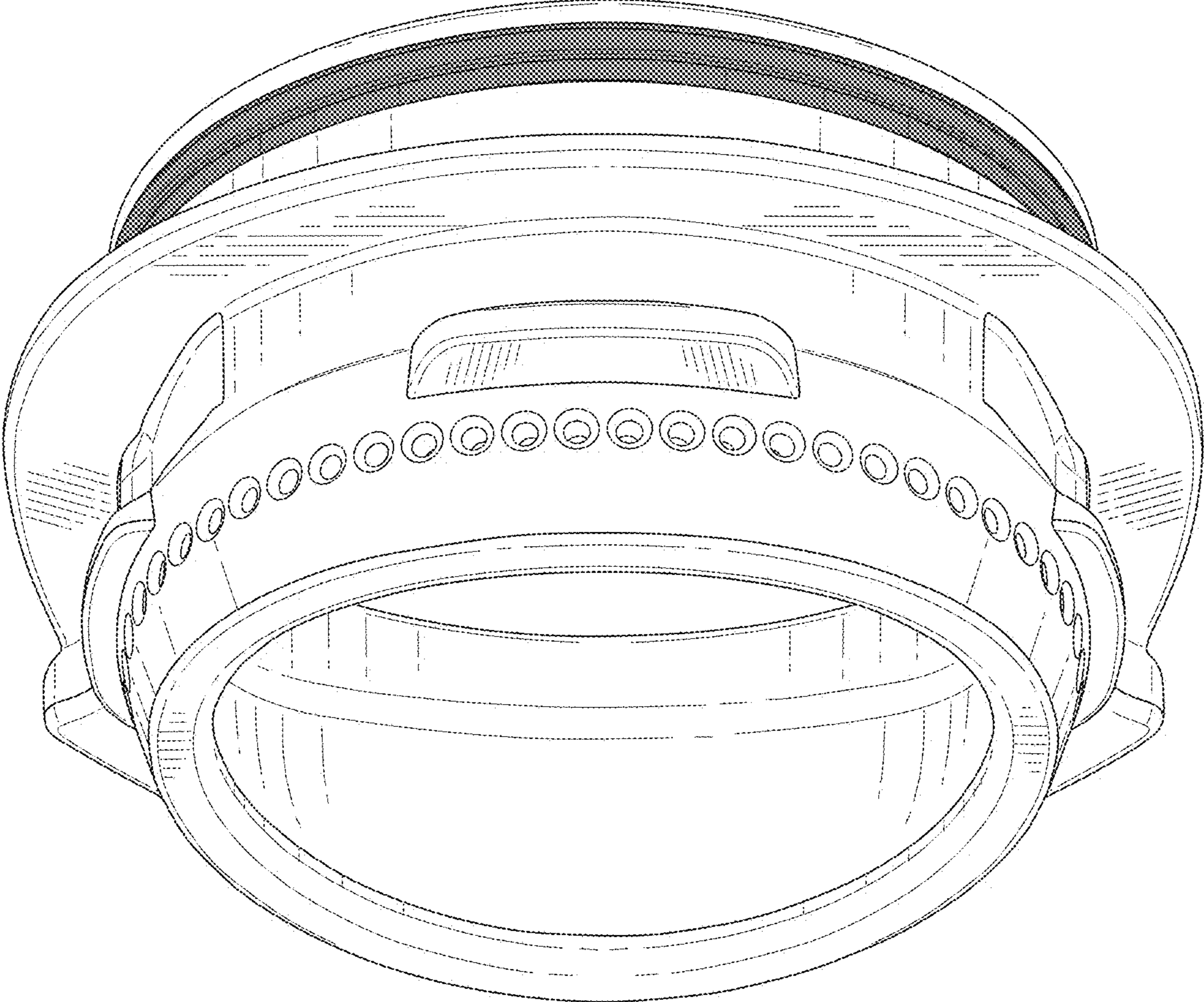


FIGURE 9

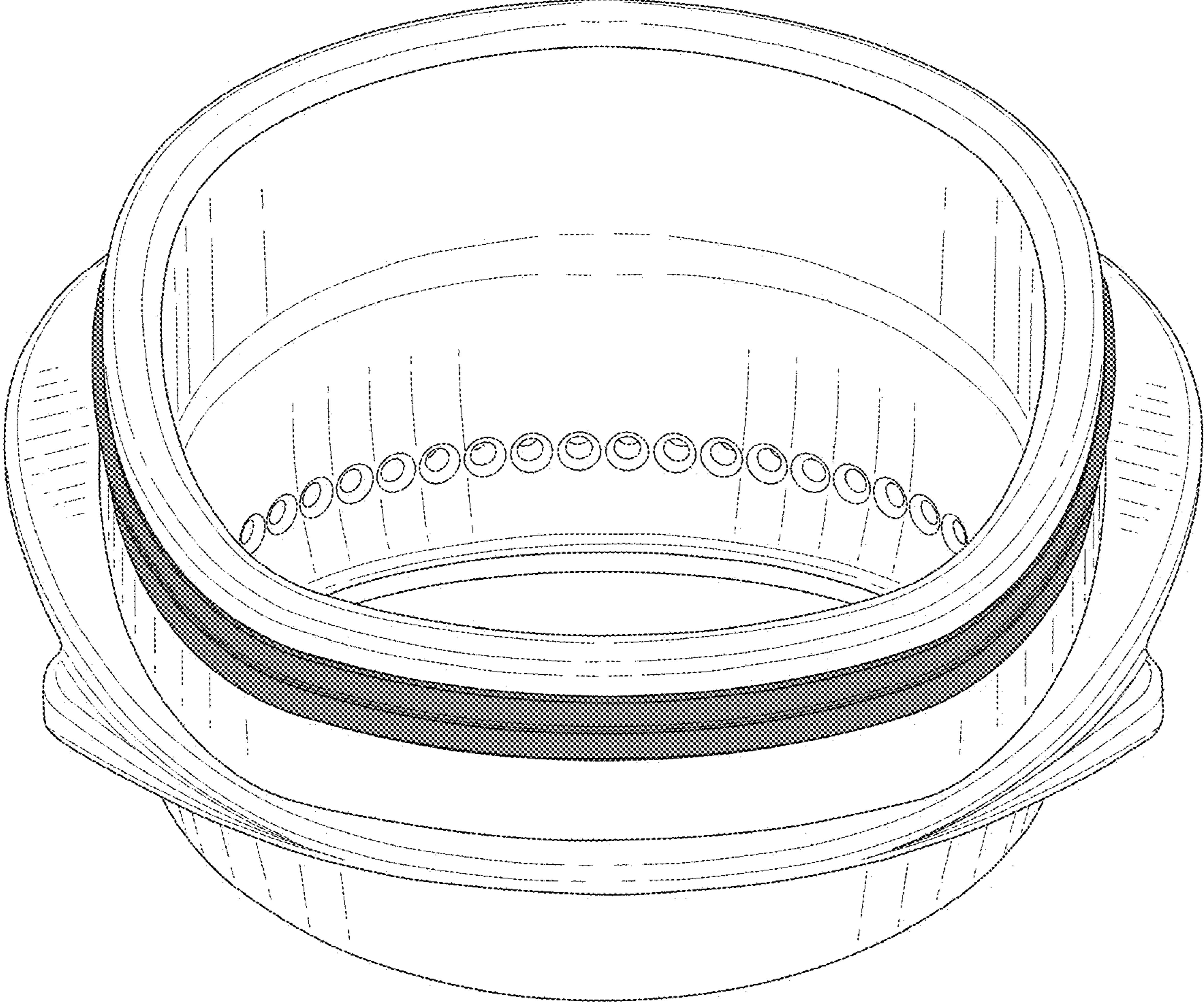


FIGURE 10

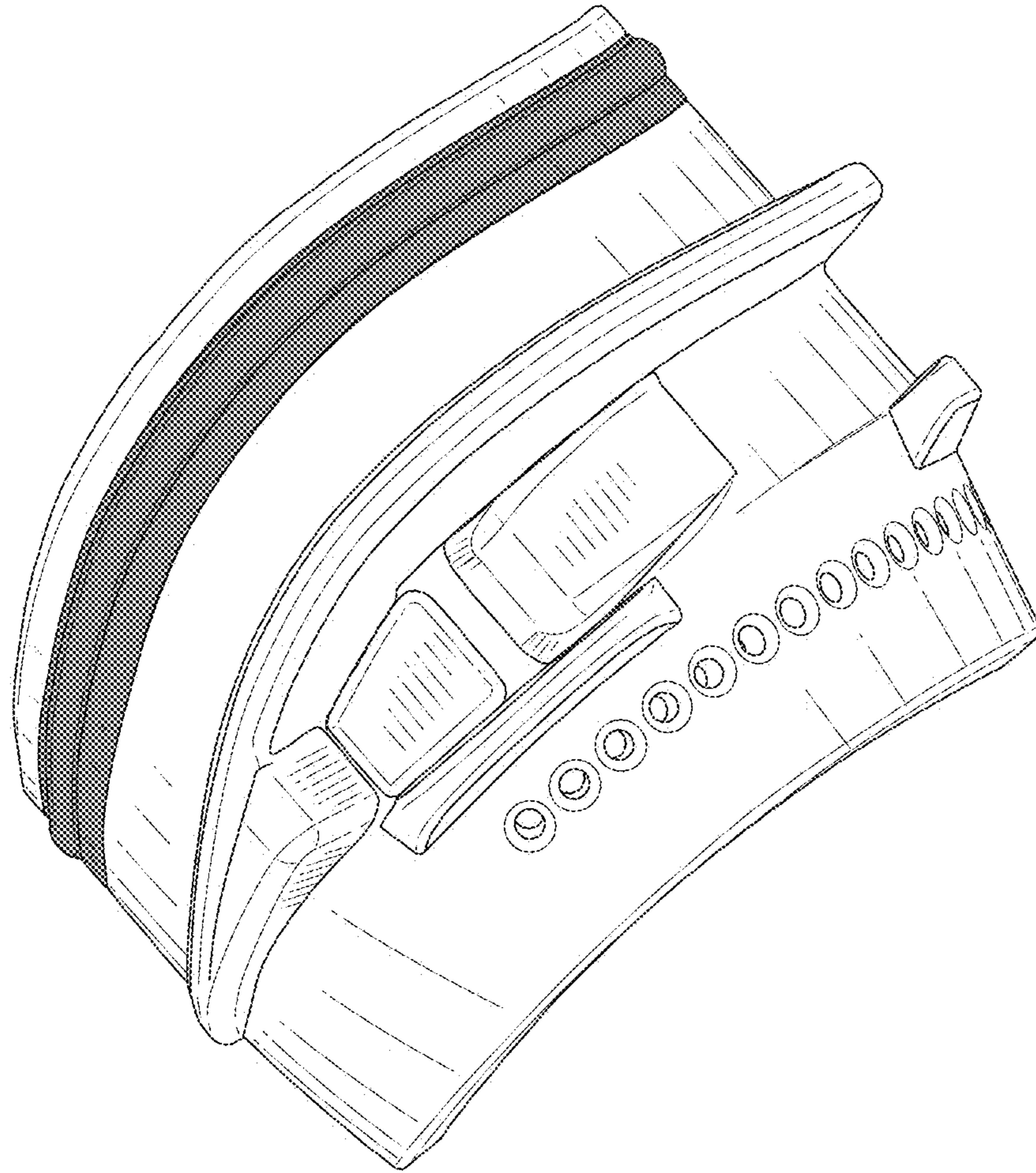


FIGURE 11

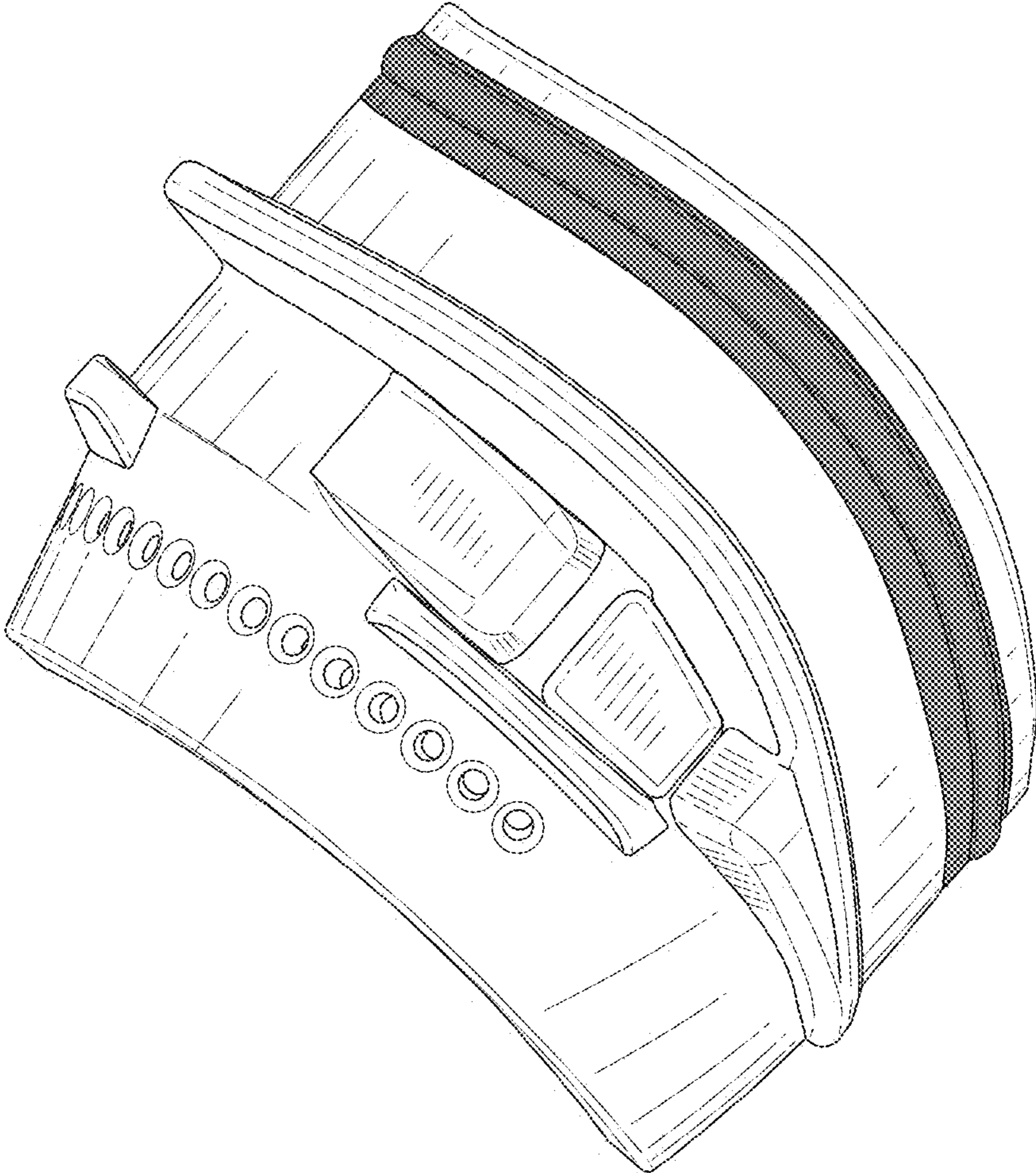


FIGURE 12

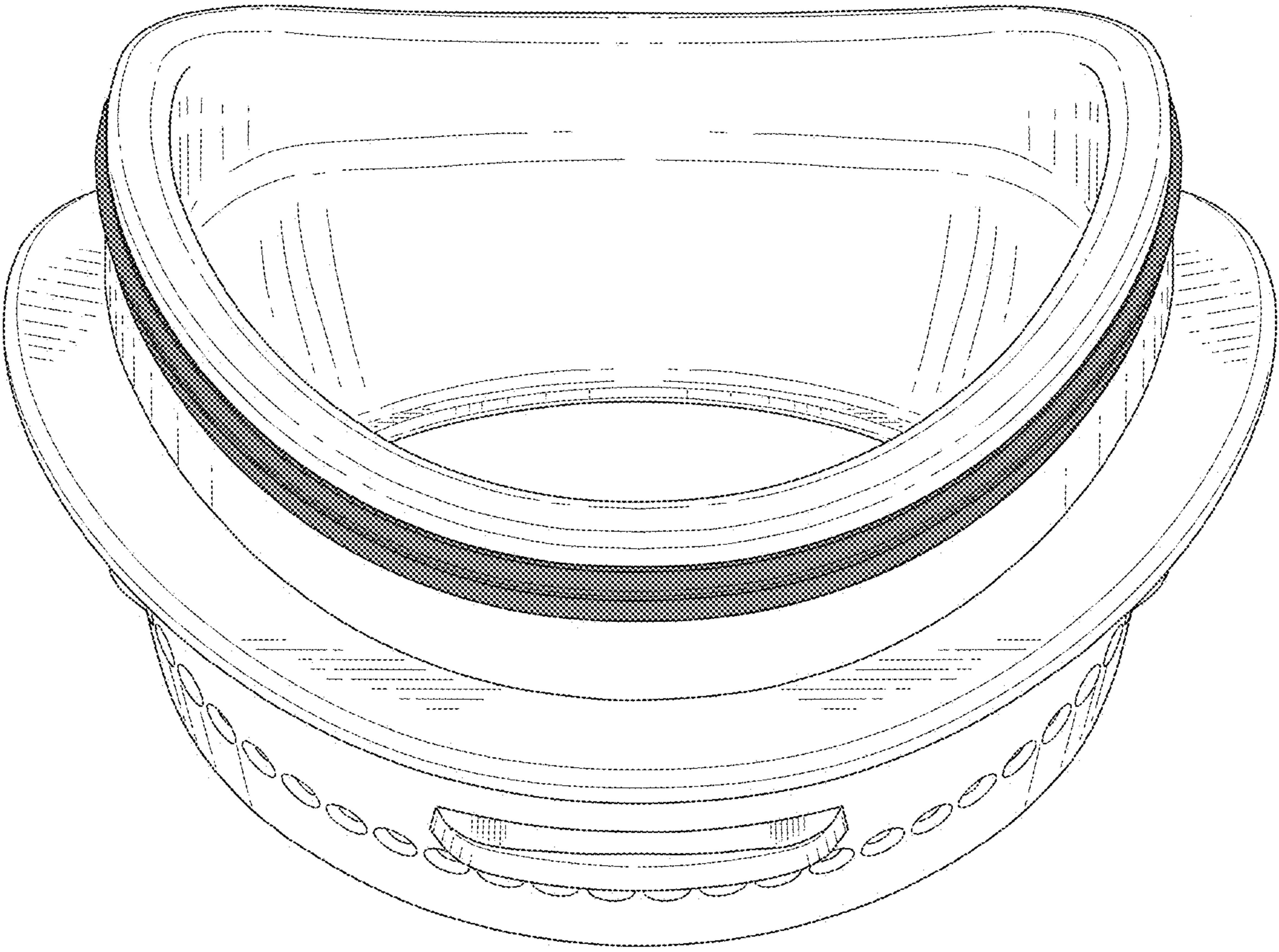


FIGURE 13

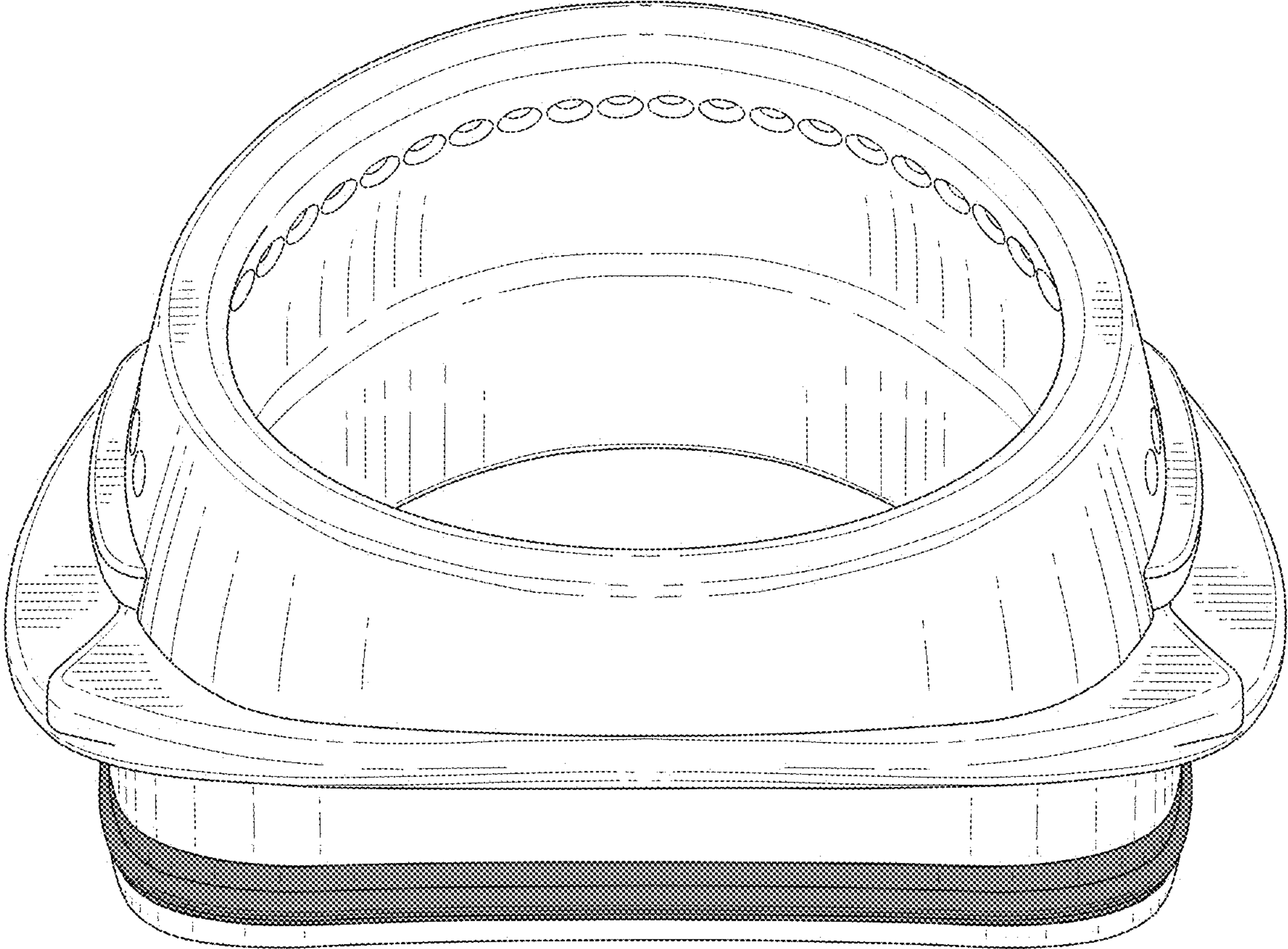


FIGURE 14

UNITED STATES PATENT AND TRADEMARK OFFICE
CERTIFICATE OF CORRECTION

PATENT NO. : D970,720 S
APPLICATION NO. : 29/695955
DATED : November 22, 2022
INVENTOR(S) : Callum Ross Gordon et al.

Page 1 of 17

It is certified that error appears in the above-identified patent and that said Letters Patent is hereby corrected as shown below:

On the Title Page

Replace title page, page 3 as shown with the attached replacement title page, page 3.

On page 3, in the description, insert the following text on a line between the description of FIG. 7 and FIG. 8. --FIG. 8 is a cross sectional view on a centerline of the frame;--; Replace the text "FIG. 8" with --FIG. 9--; Replace the text "FIG. 9" with --FIG. 10--; Replace the text "FIG. 10" with --FIG. 11--; Replace the text "FIG. 11" with --FIG. 12--; Replace the text "FIG. 12" with --FIG. 13--; Replace the text "FIG. 13" with --FIG. 14--; Replace the text "FIG. 14" with --FIG. 15--.

In the Drawings

Replace drawing sheets 1-14, and on the title page, the illustrative print figures (FIGS. 1 and 8), as shown with the attached replacement drawings sheets 1-15.

Signed and Sealed this
Nineteenth Day of September, 2023



Katherine Kelly Vidal
Director of the United States Patent and Trademark Office

2015/0352307	AI	12/2015	Rutan	
2016/0074611	AI	3/2016	Higgins et al.	
2016/0074614	AI	3/2016	Huddart et al.	
2016/0151596	AI	6/2016	Slight	
2016/0287830	AI	10/2016	Walls et al.	
2017/0000964	AI	1/2017	Shafer	
2017/0049984	AI	2/2017	Biener et al.	
2017/0326320	AI	11/2017	Baigent et al.	
2017/0368285	AI	12/2017	Wood	
2018/0001044	AI	1/2018	Stephens et al.	
2018/0207385	AI	7/2018	Freestone et al.	
2018/0256844	AI	9/2018	Galgali et al.	
2018/0272094	AI	9/2018	Eves et al.	
2018/0289912	AI	10/2018	McAuley et al.	
2018/0304036	AI	10/2018	Huang et al.	
2019/0022343	AI	1/2019	Kooij et al.	
2019/0030272	AI	1/2019	Graham et al.	
2019/0151592	AI	5/2019	Bornholdt et al.	
2019/0217039	AI	7/2019	Hocking et al.	
2020/0061398	AI	2/2020	Rummary et al.	
2020/0197649	AI*	6/2020	Haibach	A61M 16/0683
2020/0230343	AI	7/2020	Sims et al.	
2020/0282169	AI	9/2020	Pereira et al.	
2021/0008316	AI	1/2021	Mclaren et al.	

FOREIGN PATENT DOCUMENTS

AU	2005/100738	11/2005
EP	1057494	12/2000
EP	1488820	12/2004
EP	1163923	12/2011
EP	2444113	4/2012
EP	2481435	8/2012
GB	377926	8/1932
GB	823887	11/1959
GB	826198	12/1959
GB	880942	10/1961
GB	974960	11/1964
GB	1049604	11/1966
GB	2367757	4/2002
WO	WO 1993/021788	11/1993
WO	WO 1997/000092	1/1997
WO	WO 1997/048432	12/1997
WO	WO 2002/11804	2/2002
WO	WO2004/073778	9/2004
WO	WO 2005/094928	10/2005
WO	WO 2008/007985	1/2008
WO	WO 2009/026627	3/2009
WO	WO 2009/052560	4/2009
WO	WO 2009/144695	12/2009
WO	WO 2010/131189	11/2010
WO	WO 2011/062510	5/2011
WO	WO 2011/142678	11/2011
WO	WO 2012/028995	3/2012
WO	WO 2012/045127	4/2012
WO	WO 2012/052902	4/2012
WO	WO 2012/055886	5/2012
WO	WO 2013/006065	1/2013
WO	WO 2013/071359	5/2013
WO	WO 2013/170290	11/2013
WO	WO 2014/015382	1/2014
WO	WO 2014/015383	1/2014
WO	WO 2014/110626	7/2014
WO	WO 2014110622	7/2014
WO	WO 2014/124323	8/2014
WO	WO 2015/070289	5/2015

OTHER PUBLICATIONS

Respiroics Cushion (available [online]) Retrieved Jun. 18, 2022 from Internet URL: <https://www.walmart.com/ip/Respiroics-Cushion-for-Wisp-CPAP-Nasal-Interface-S-M-1094087/269713486> (Year: 2022).*

Respiroics Comfort (available [online]) Retrieved Jun. 18, 2022 from Internet URL: <https://www.walmart.com/ip/Respiroics-Comfort-Gel-Blue-Large-Cushion-and-Flap/735935149> (Year: 2022).*

U.S. Appl. No. 29/596,664, filed Mar. 9, 2017, Gordon, et al.
 U.S. Appl. No. 29/596,665, filed Mar. 9, 2017, Gordon, et al.
 U.S. Appl. No. 29/718,342, filed Dec. 23, 2019, Gordon, et al.
 U.S. Appl. No. 29/618,346, filed Sep. 20, 2017, Gordon, et al.
 U.S. Appl. No. 29/618,347, filed Sep. 20, 2017, Gordon, et al.
 U.S. Appl. No. 29/719,100, filed Dec. 31, 2019, Gordon, et al.
 European Examination Report, 004248086-0001/004248086-0006, dated Jan. 4, 2018, 6 pages.
 Canadian Intellectual Property Office, Examination Report, Application No. 190395, dated Nov. 19, 2019, in 22 pages.
 Canadian Intellectual Property Office, Examination Report, Application No. 190393, dated Nov. 19, 2019, in 22 pages.
 Canadian Intellectual Property Office, Examination Report, Application No. 190394, dated Nov. 19, 2019, in 33 pages.
 Canadian Intellectual Property Office, Examination Report, Application No. 190390, dated Nov. 19, 2019, in 24 pages.
 Canadian Intellectual Property Office, Examination Report, Application No. 190392, dated Nov. 19, 2019, in 22 pages.
 Canadian Intellectual Property Office, Examination Report, Application No. 190391, dated Nov. 19, 2019, in 22 pages.
 Canadian Intellectual Property Office, Examination Subsequent Report, Application No. 180450, dated Nov. 19, 2019, in 12 pages.
 F&P Evora Nasal Mask Use and Care Guide. Copyright date: Feb. 2020. Retrieval date: Feb. 7, 2022. Retrieved from internet: <https://resources.fphcare.com/content/ui-615865-evora-nasal-userinstructions-a-model.pdf> (Year: 2020).

* cited by examiner

Primary Examiner — Richard Kearney
Assistant Examiner — Michael Hoffman
 (74) *Attorney, Agent, or Firm* — Knobbe Martens Olson & Bear, LLP

(57) CLAIM

The ornamental design for a frame of a nasal mask, as shown and described.

DESCRIPTION

The patent or application file contains at least one drawing executed in color. Copies of this patent or patent application publication with color drawing(s) will be provided by the Office upon request and payment of the necessary fee.
 FIG. 1 is a top, front and side perspective view of a first embodiment of a frame of a nasal mask embodying our new design;
 FIG. 2 is a front view thereof;
 FIG. 3 is a rear view thereof;
 FIG. 4 is a first side view thereof;
 FIG. 5 is a second side view thereof;
 FIG. 6 is a top view thereof;
 FIG. 7 is a bottom view thereof, and
 FIG. 8 is a top, front and side perspective view of a second embodiment of a frame of a nasal mask embodying our new design;
 FIG. 9 is a front view thereof;
 FIG. 10 is a rear view thereof;
 FIG. 11 is a first side view thereof;
 FIG. 12 is a second side view thereof;
 FIG. 13 is a top view thereof; and,
 FIG. 14 is a bottom view thereof.
 In the second embodiment of a frame of a nasal mask, the illustrated blue color is a claimed feature of our design.

1 Claim, 15 Drawing Sheets

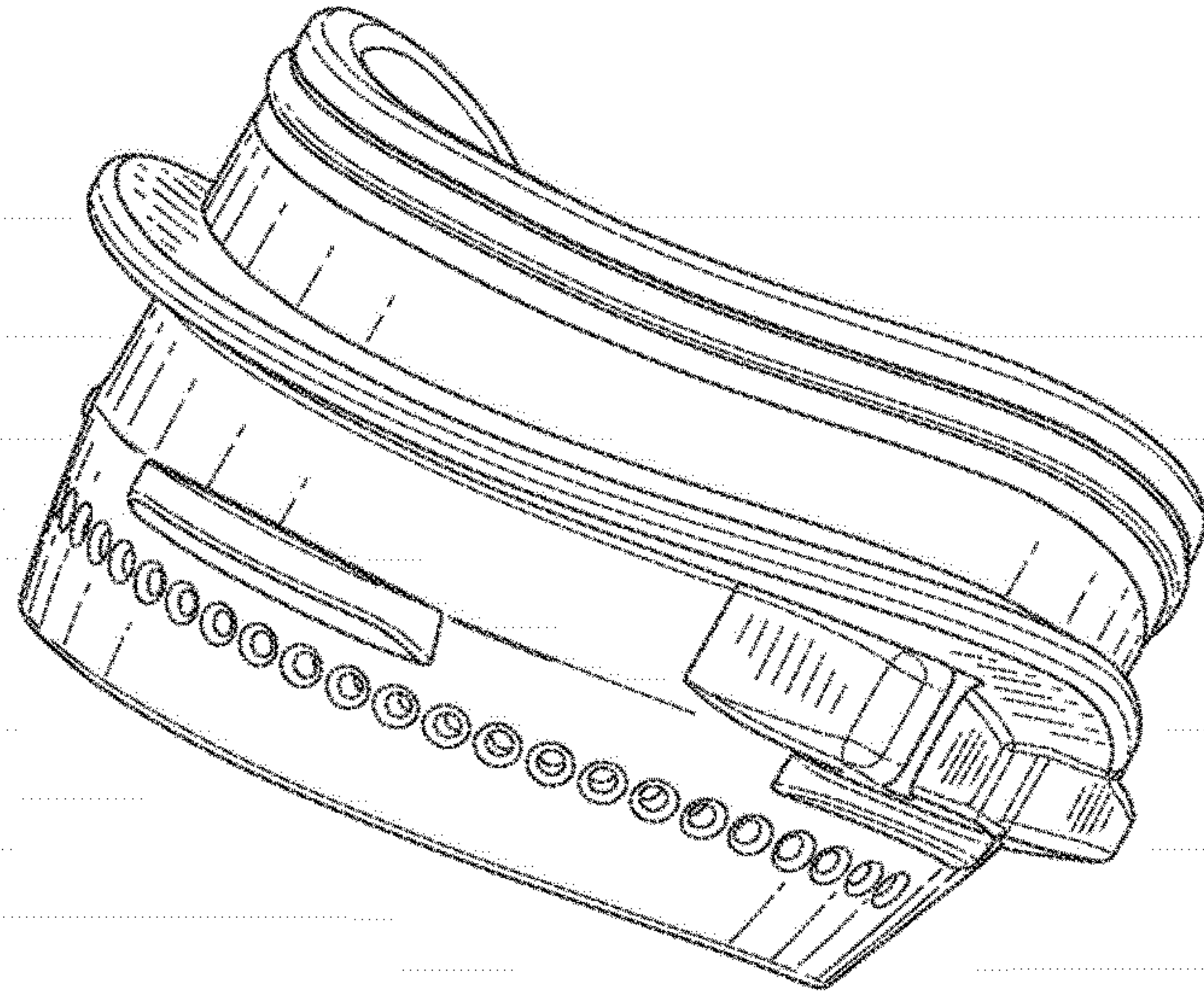


FIGURE 1

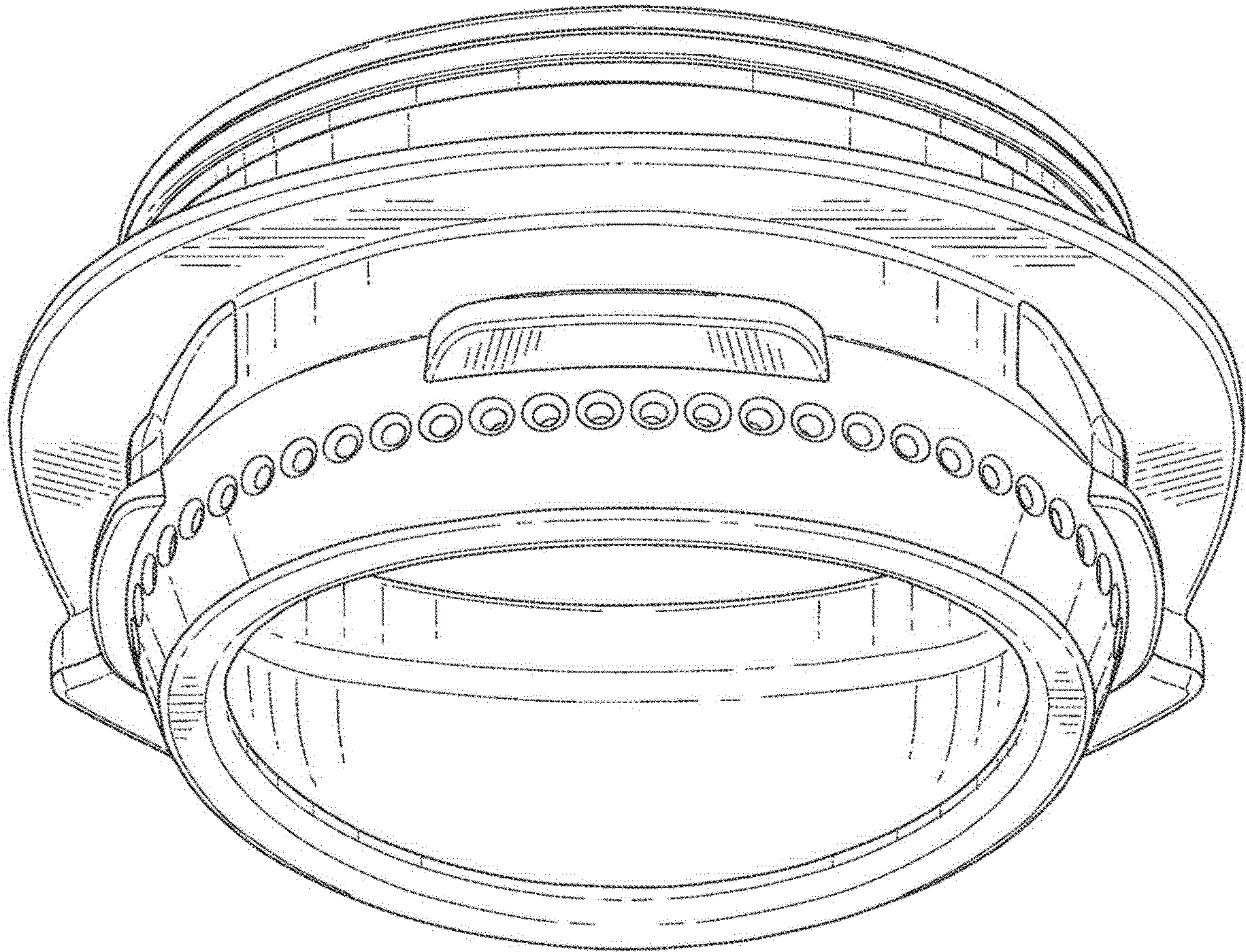


FIGURE 2

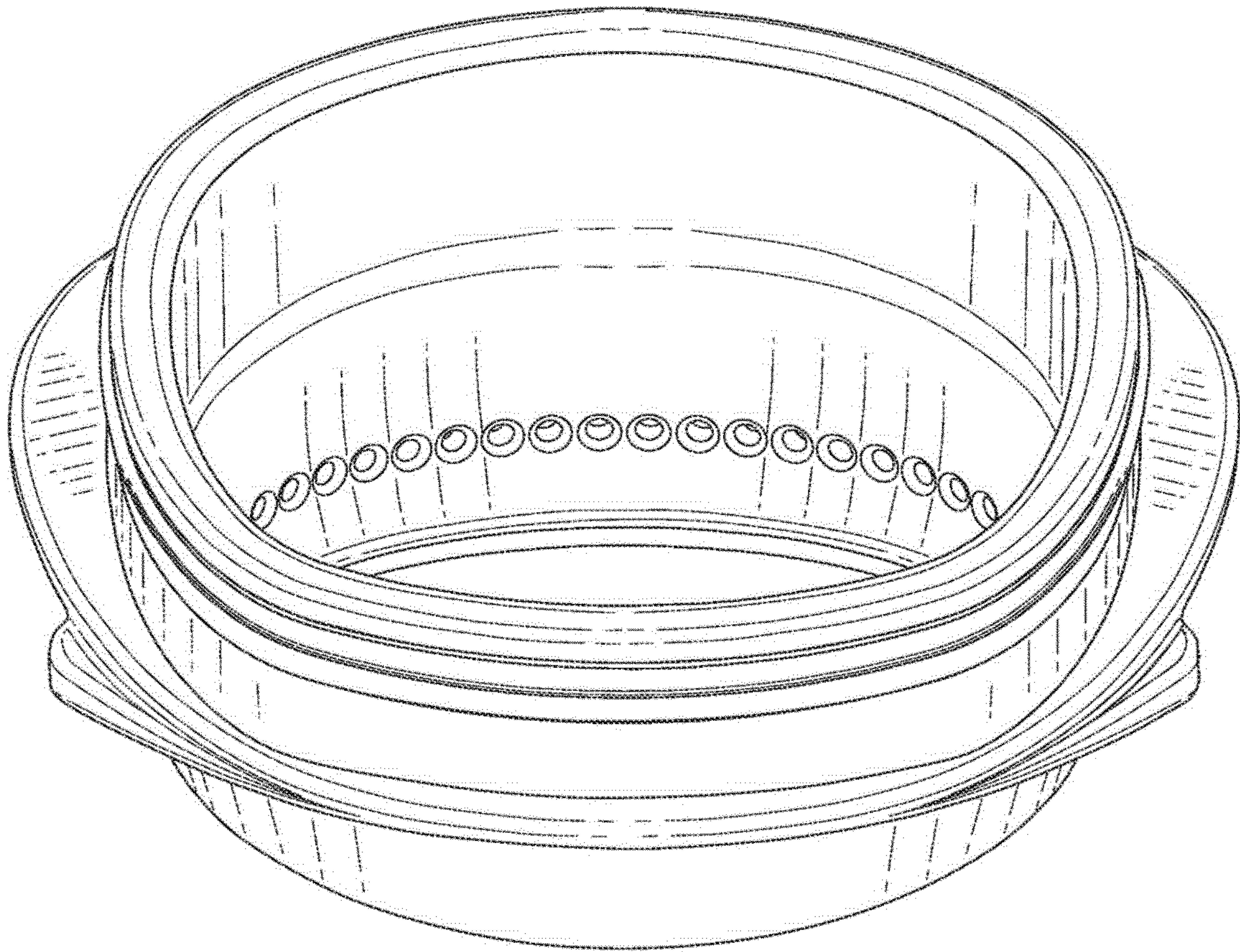


FIGURE 3

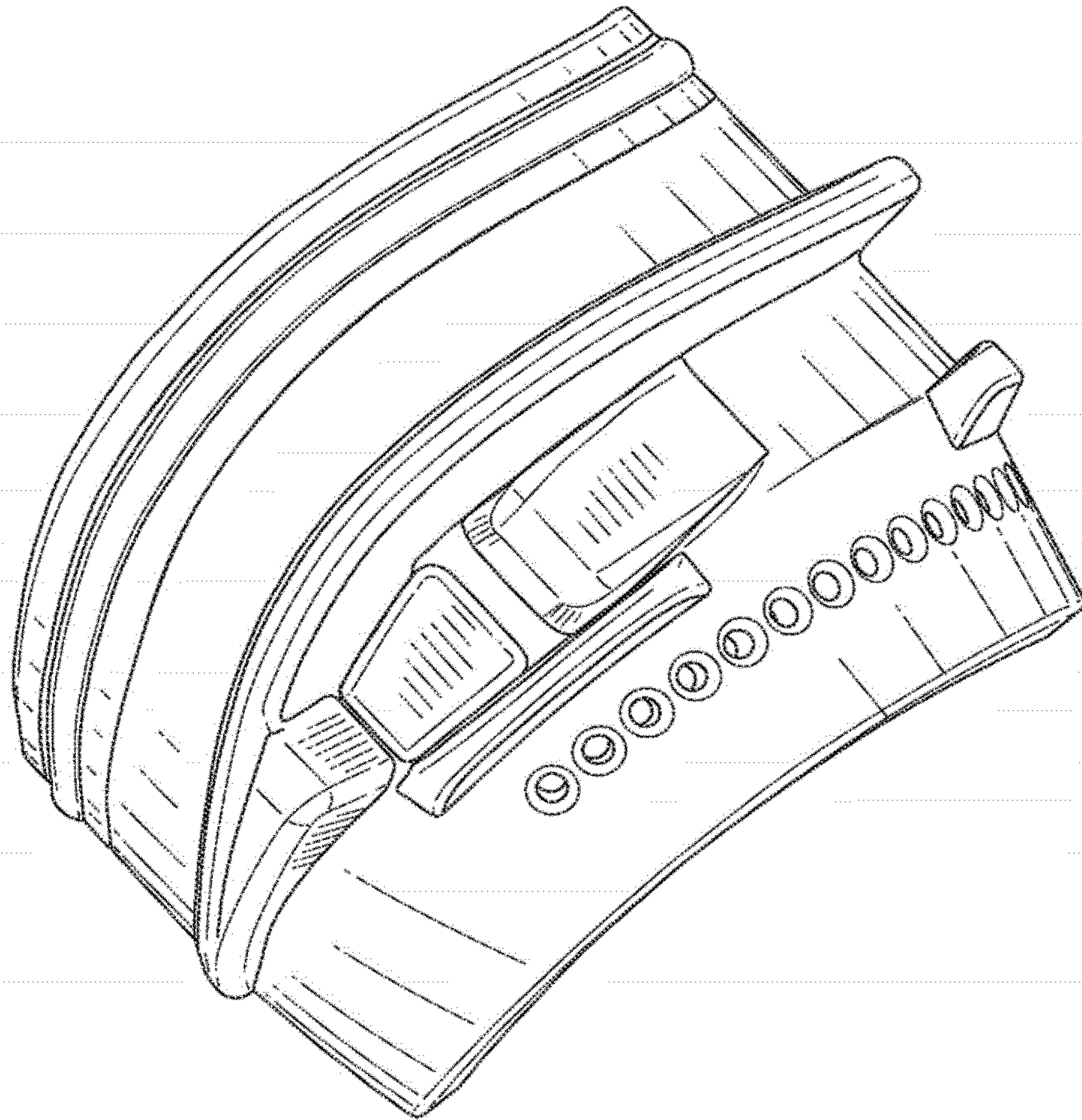


FIGURE 4

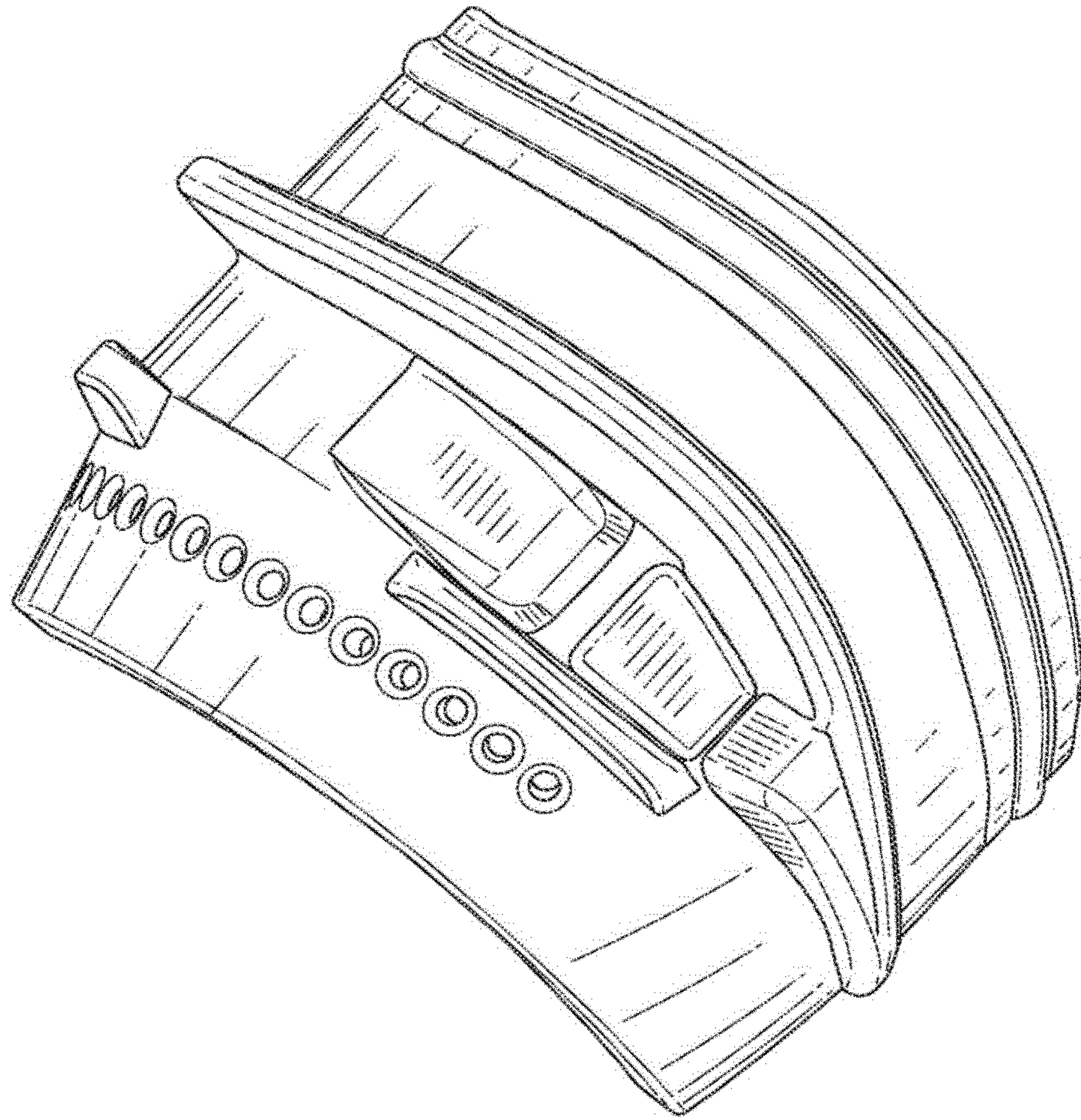


FIGURE 5

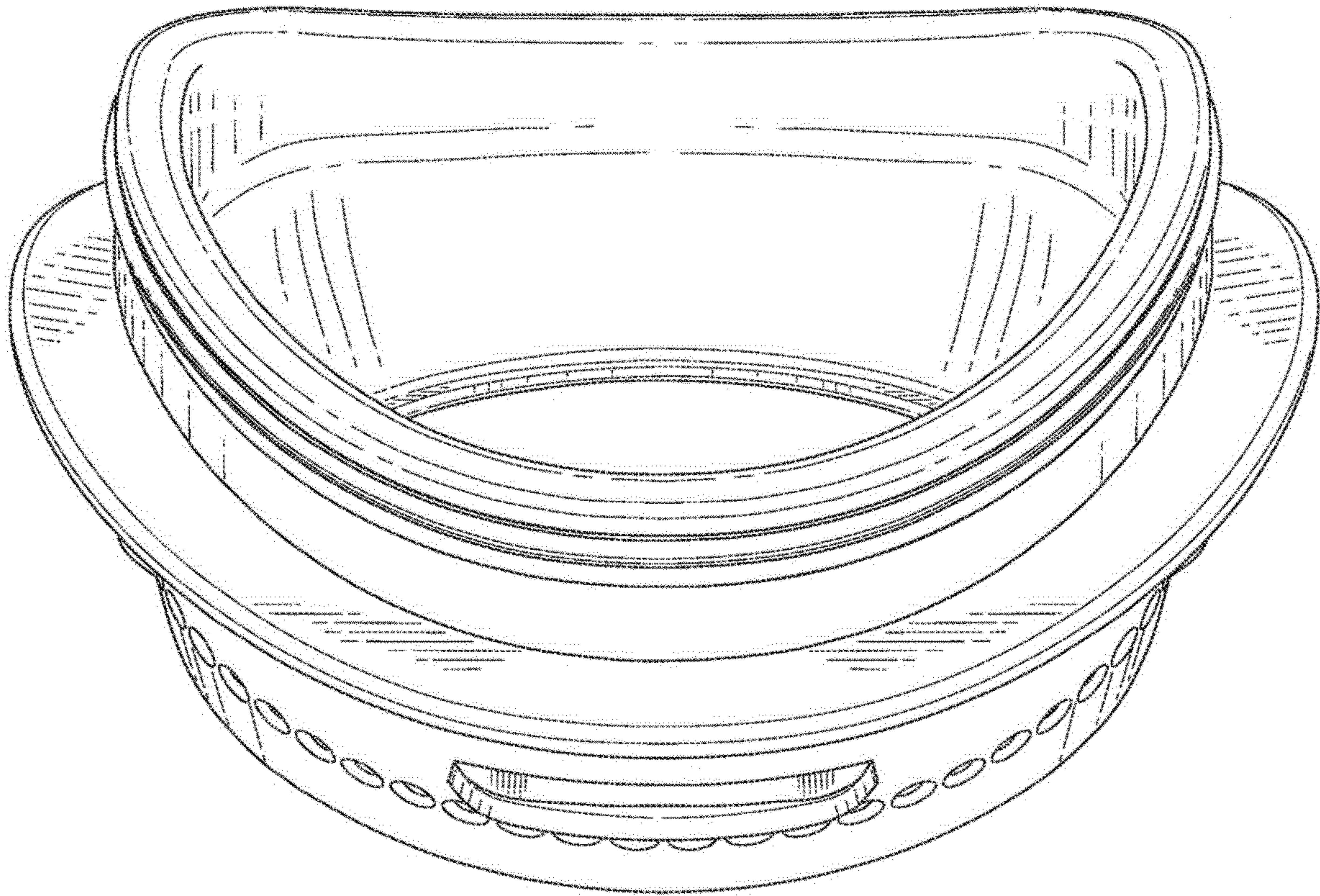


FIGURE 6

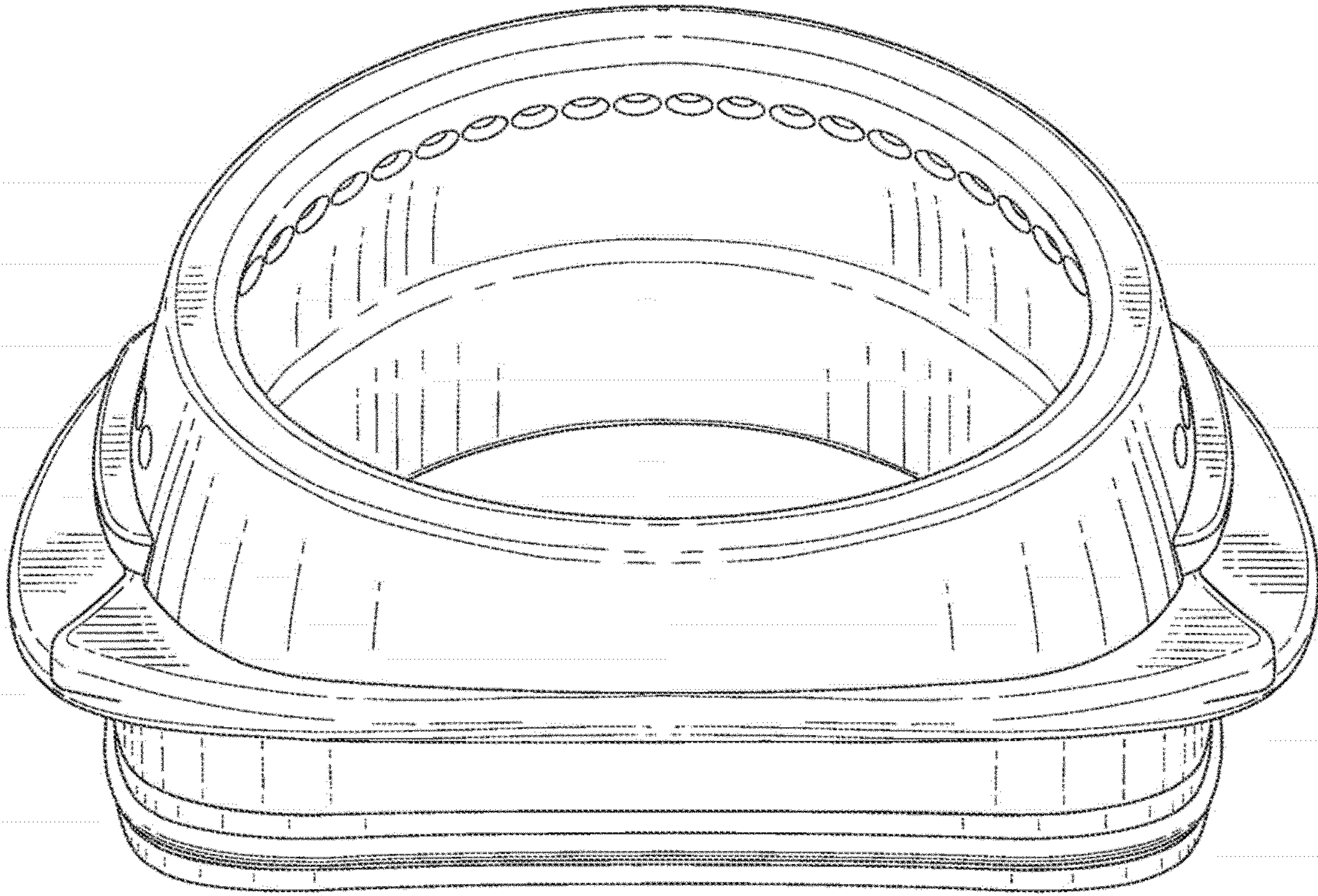


FIGURE 7

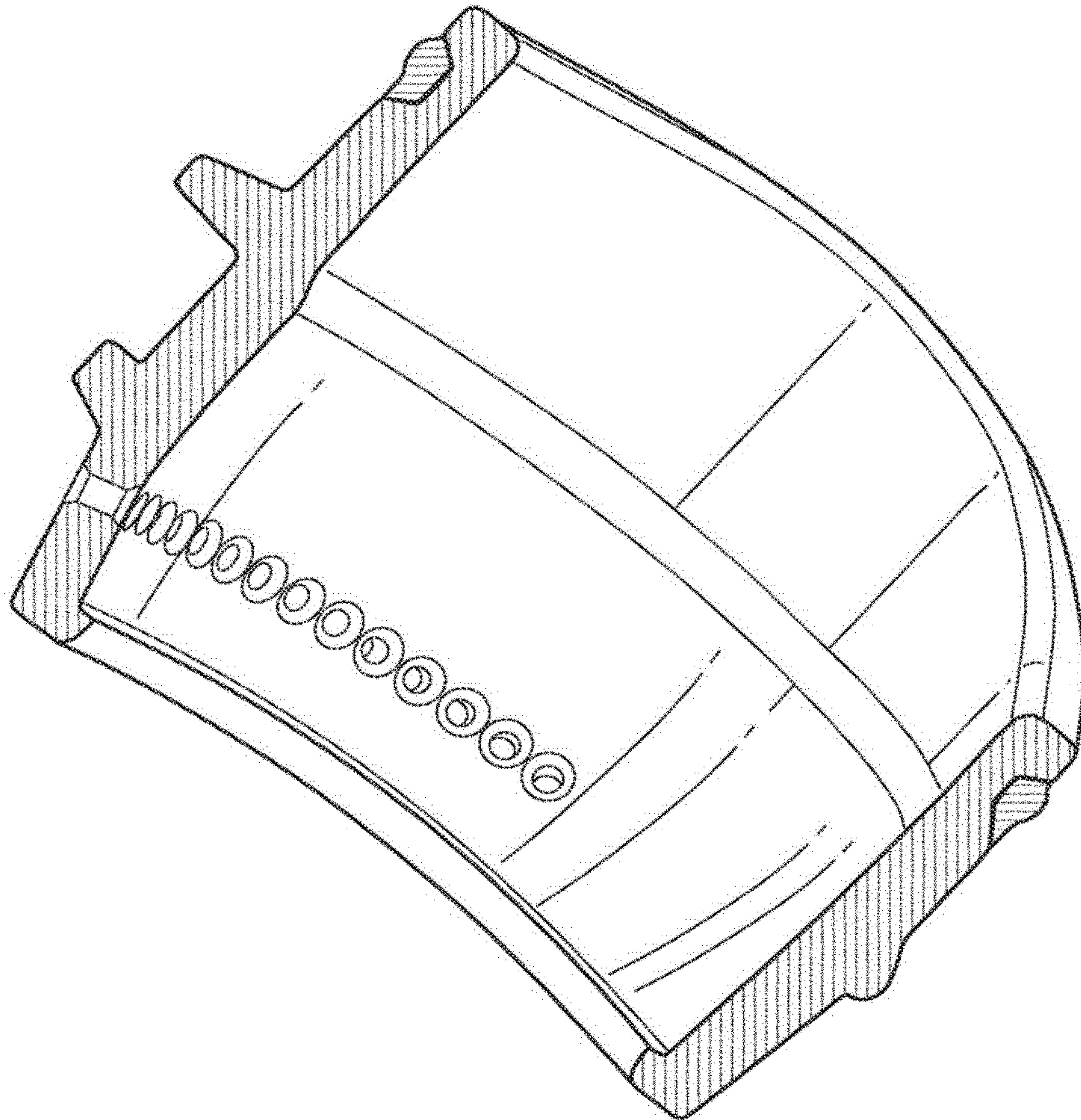


FIGURE 8

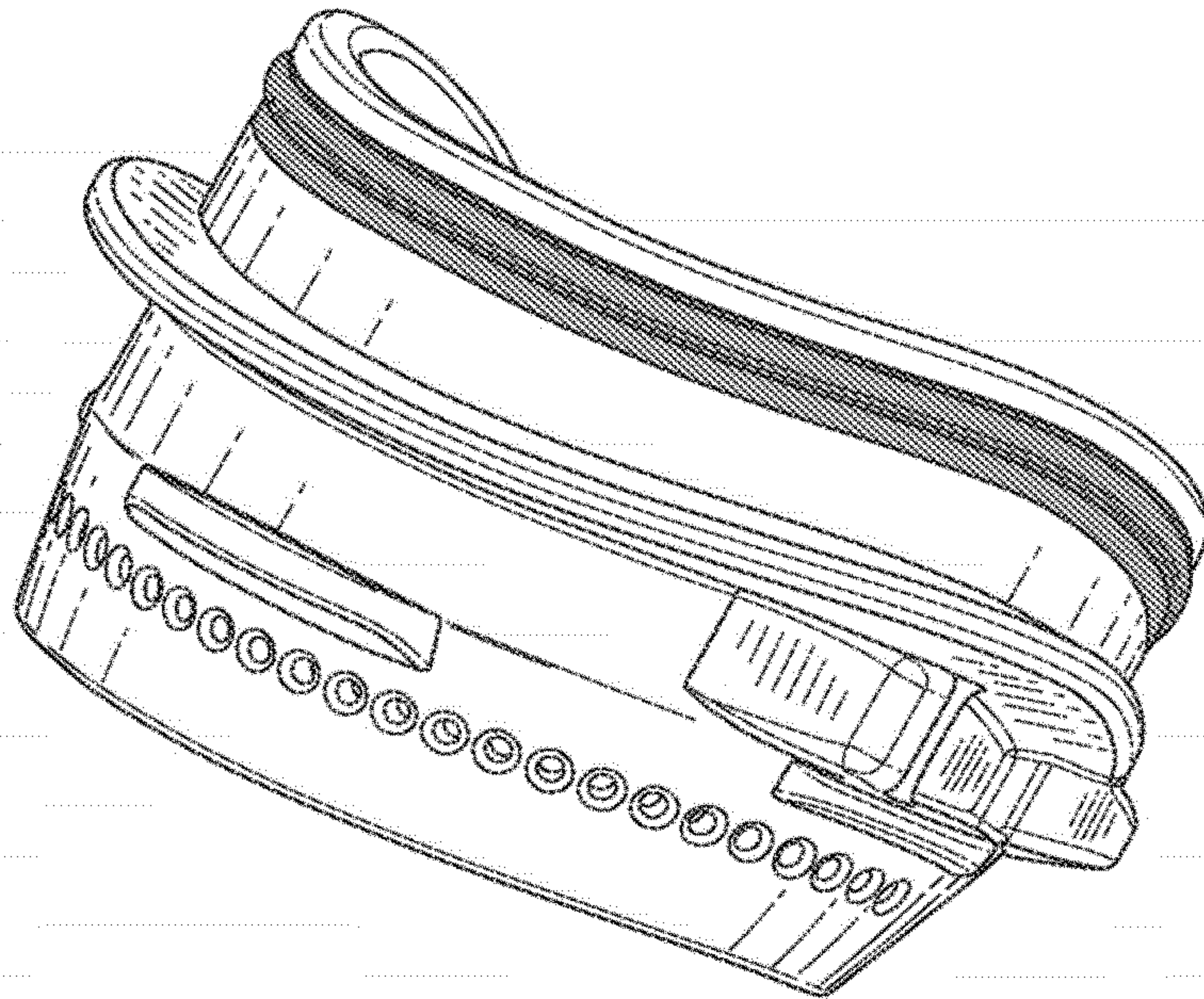


FIGURE 9

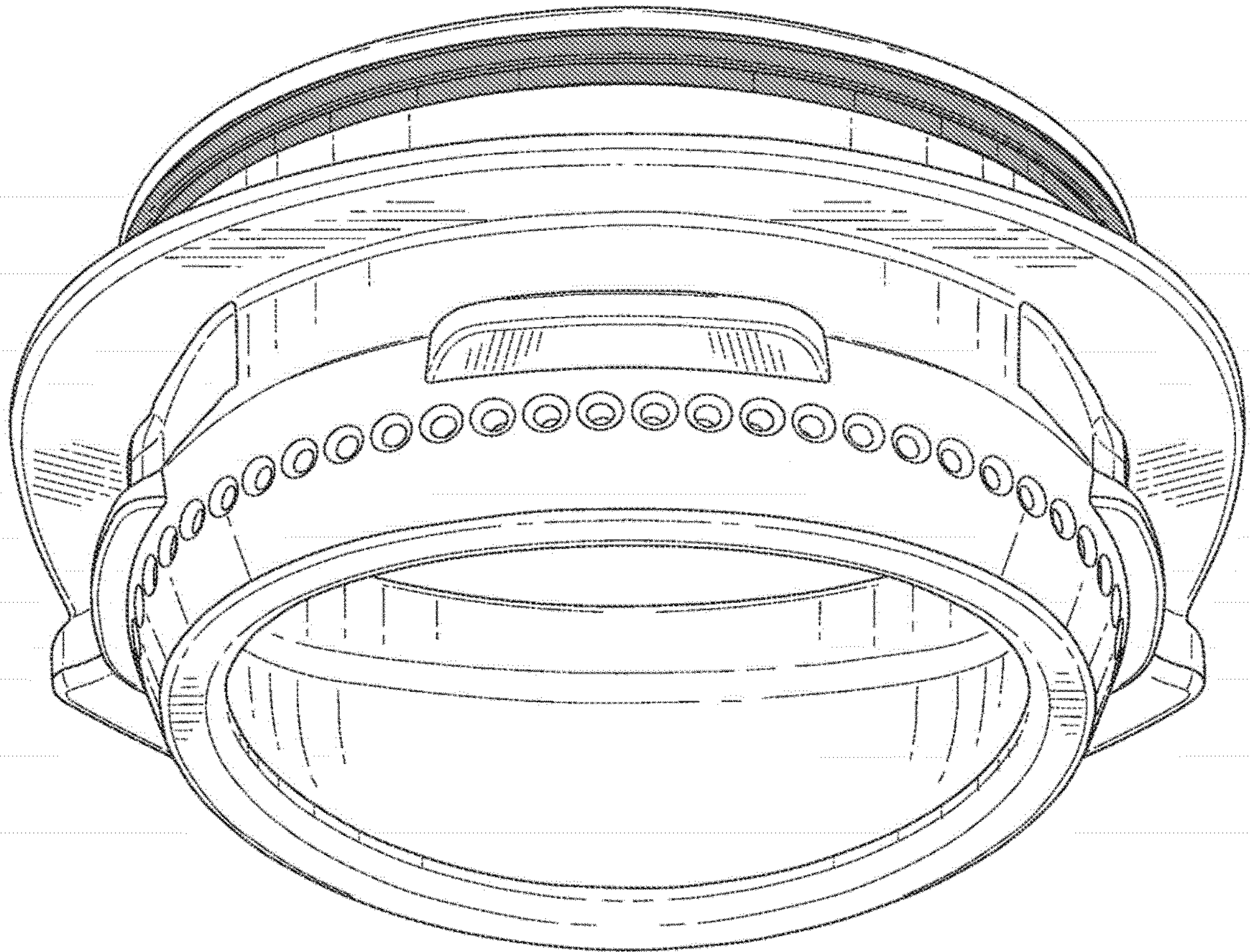


FIGURE 10

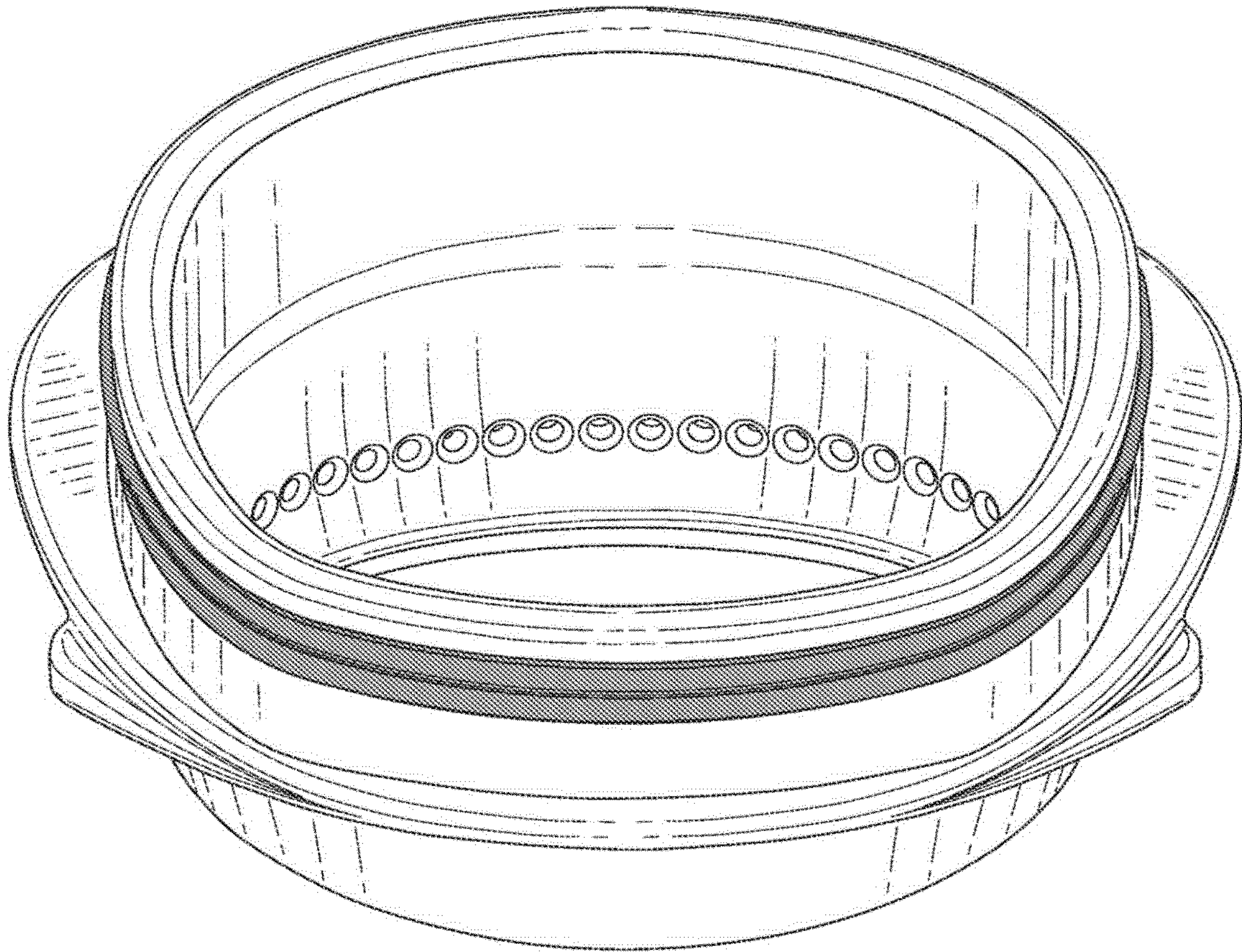


FIGURE 11

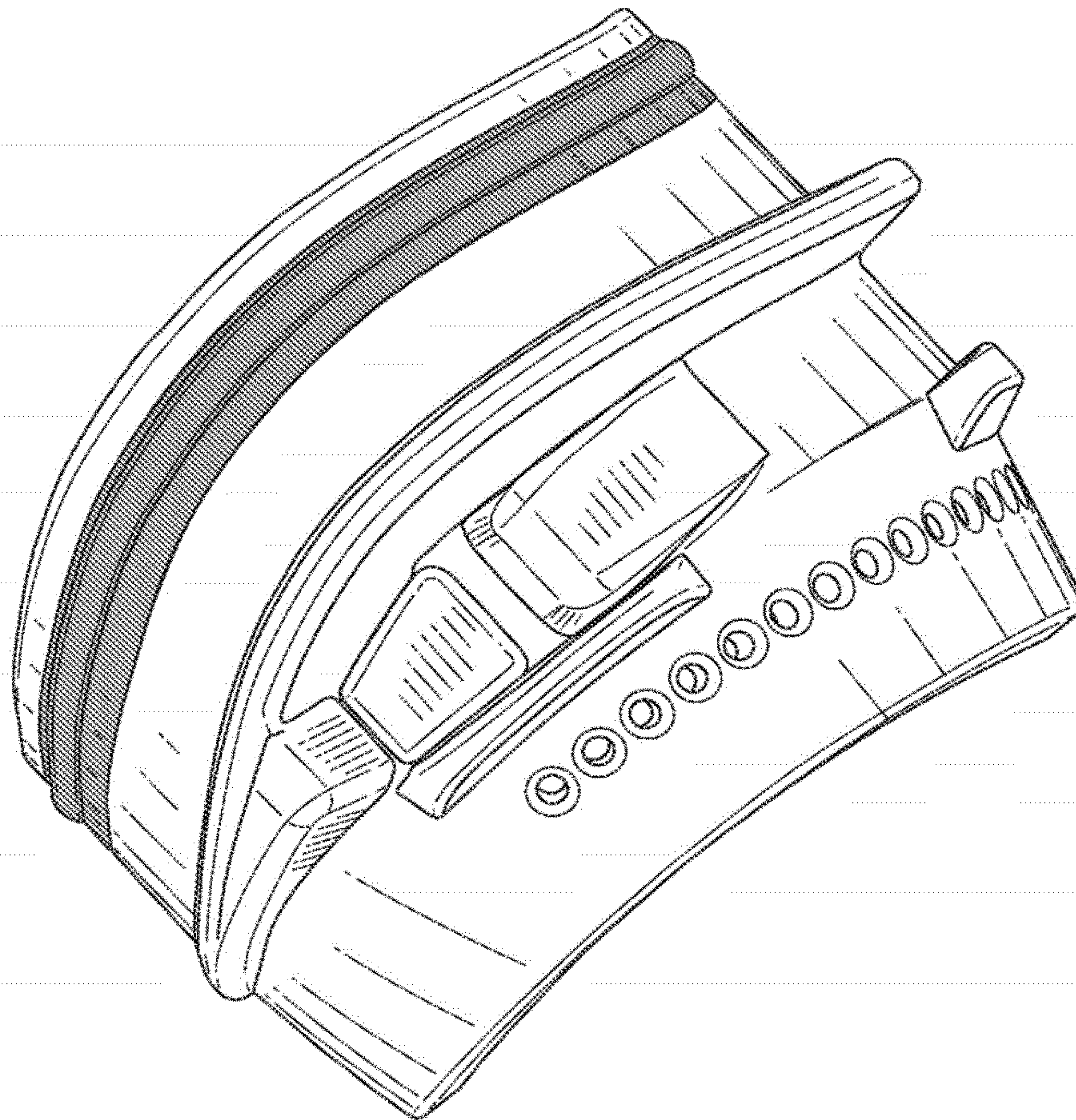


FIGURE 12

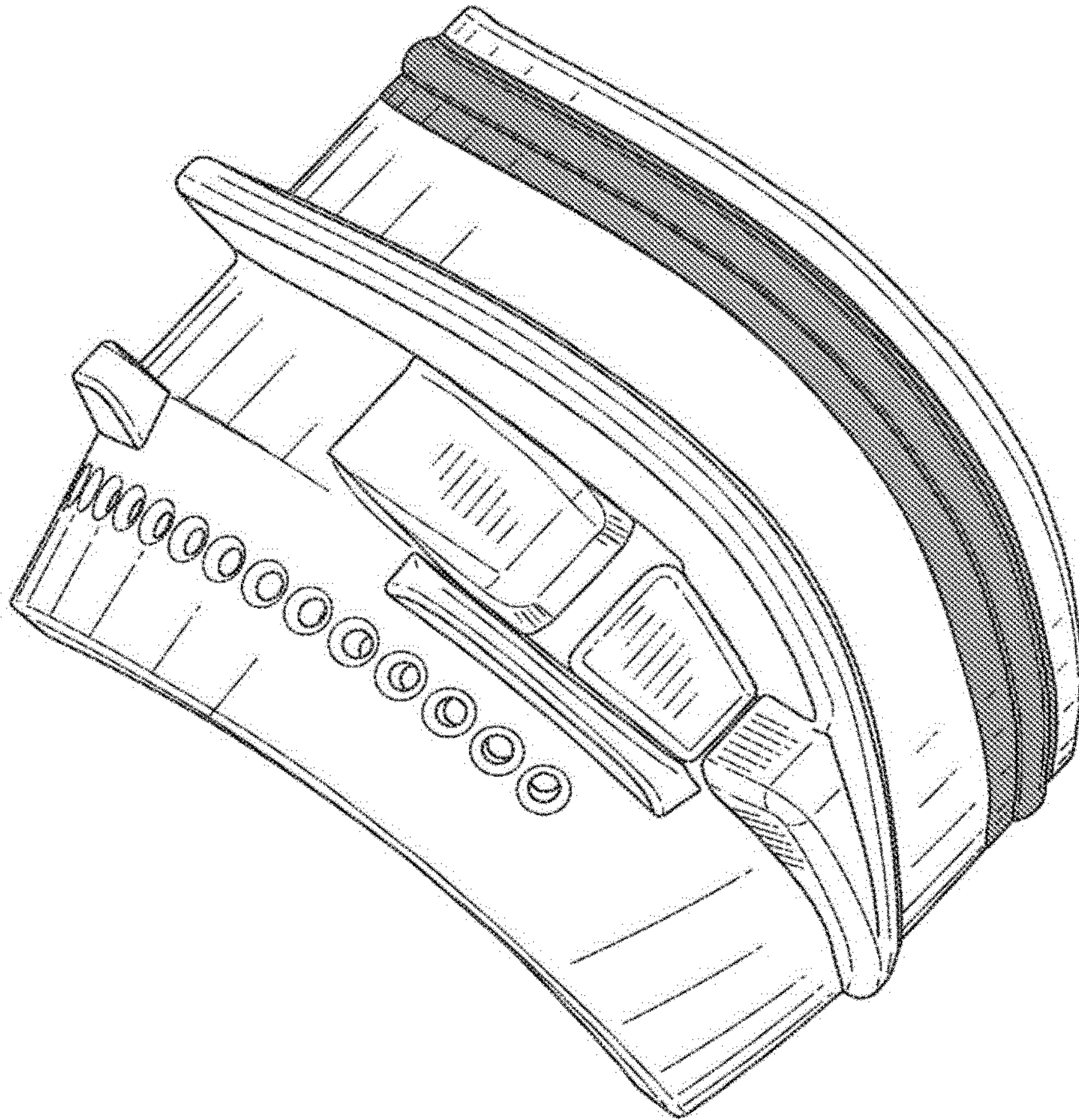


FIGURE 13

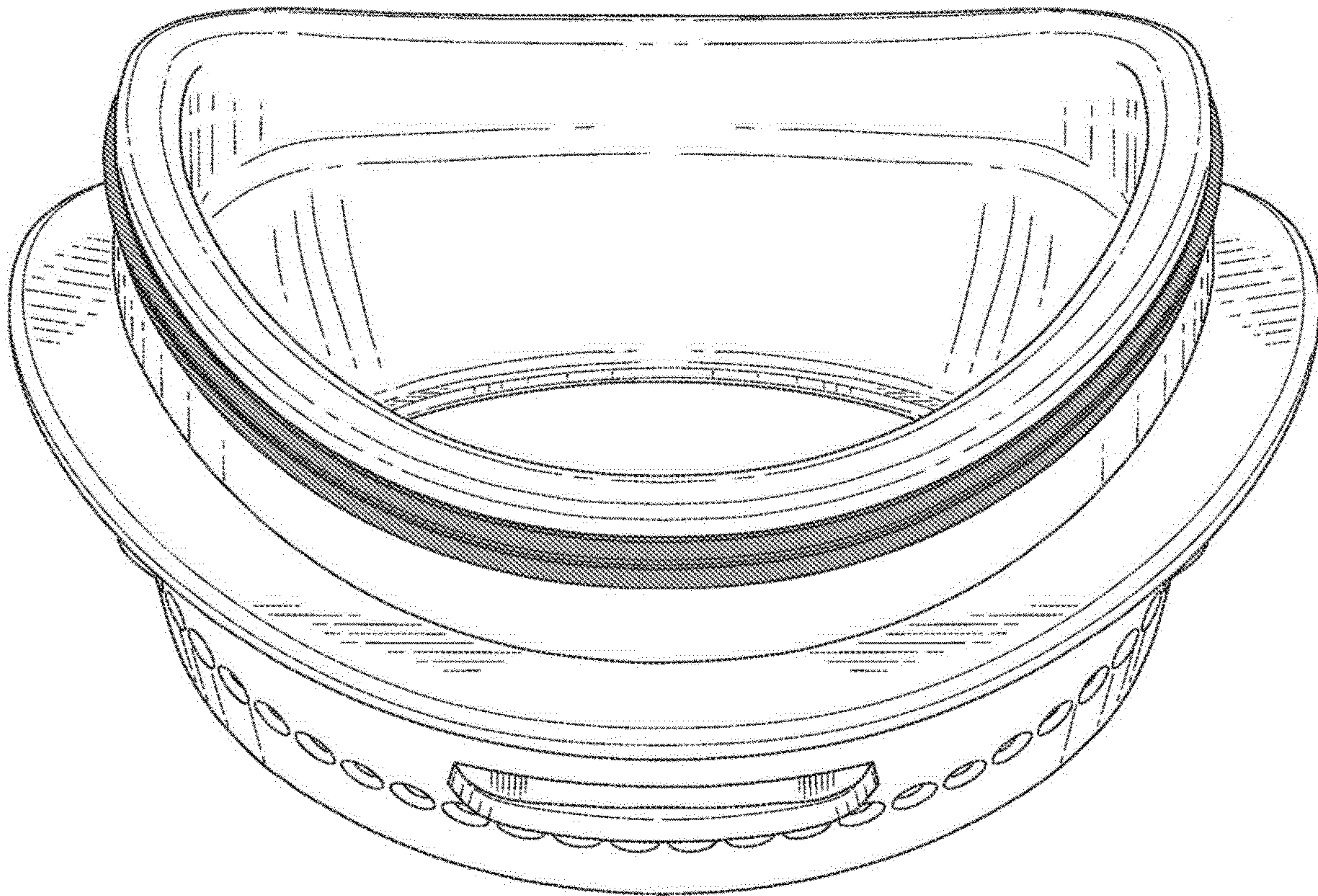


FIGURE 14

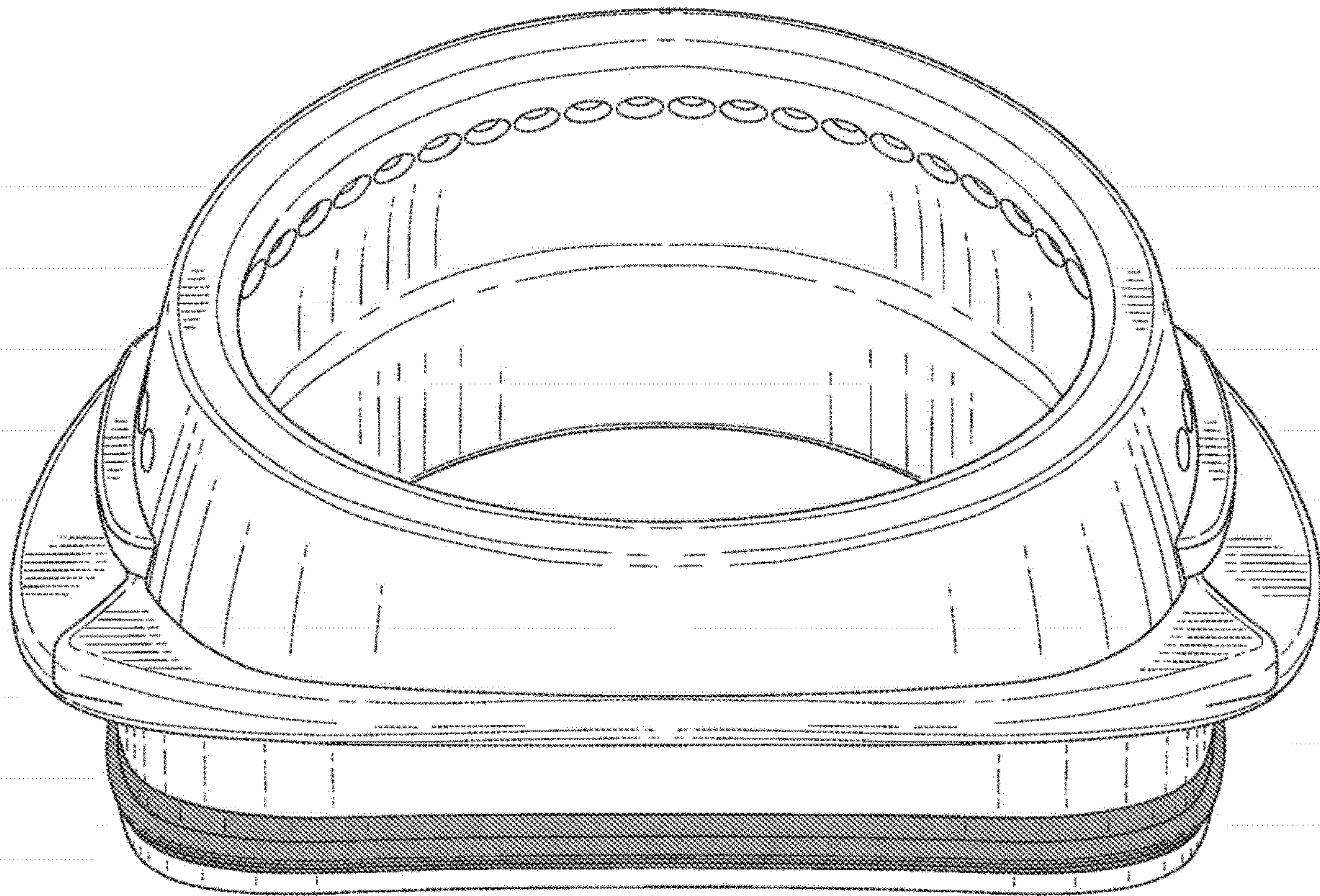


FIGURE 15