

US00D970719S

(12) **United States Design Patent** (10) **Patent No.:** **US D970,719 S**
Stigsdotter (45) **Date of Patent:** **** Nov. 22, 2022**

(54) **EAR PLUG** D371,840 S * 7/1996 Leight D24/106
5,819,745 A * 10/1998 Mobley A61F 11/08
(71) Applicant: **Earcleaning Company AB**, Lycksele D427,304 S * 6/2000 Magidson D24/106
(SE) D434,139 S * 11/2000 Foslien D24/106
(72) Inventor: **Eva Persson Stigsdotter**, Stenfele (SE) D435,645 S * 12/2000 Westerdal D24/106
(73) Assignee: **Earcleaning Company AB**, Lycksele D739,518 S * 9/2015 Butler D24/106
(SE) D739,520 S * 9/2015 Butler D24/106
D745,135 S * 12/2015 Butler D24/106
2004/0069310 A1 * 4/2004 Falco A61F 11/08
128/864
2005/0209516 A1 * 9/2005 Fraden A61B 5/14552
600/323

(21) Appl. No.: **35/511,082**

(22) Filed: **Dec. 15, 2020**

(80) **Hague Agreement Data**

Int. Filing Date: **Dec. 15, 2020**
Int. Reg. No.: **DM/211893**
Int. Reg. Date: **Dec. 15, 2020**
Int. Reg. Pub. Date: **Jan. 1, 2021**

(51) **LOC (13) Cl.** **24-04**

(52) **U.S. Cl.**
USPC **D24/106**

(58) **Field of Classification Search**
USPC D14/188, 192, 205, 206, 223; D24/105,
D24/106, 173, 174; D28/9, 99
CPC A61F 11/00; A61F 11/08; A61F 11/10;
A61F 11/085
See application file for complete search history.

(56) **References Cited**

U.S. PATENT DOCUMENTS

D195,322 S * 5/1963 Hill D24/106
3,800,791 A * 4/1974 Visor A61F 11/08
181/135
D234,321 S * 2/1975 Visor D24/106
D239,416 S * 3/1976 Visor D24/106
D253,723 S * 12/1979 Leight D24/106

OTHER PUBLICATIONS

Youtube. Nothing smaller than your Elbow in your Ear! by Utility
Tip—Ear Cleaner—Ear Wax Removal Tool. Jan. 16, 2018. <https://www.youtube.com/watch?v=JkK3VXz54nw> (Year: 2018).*

* cited by examiner

Primary Examiner — Darcey E Gottschalk
(74) *Attorney, Agent, or Firm* — John Alunit

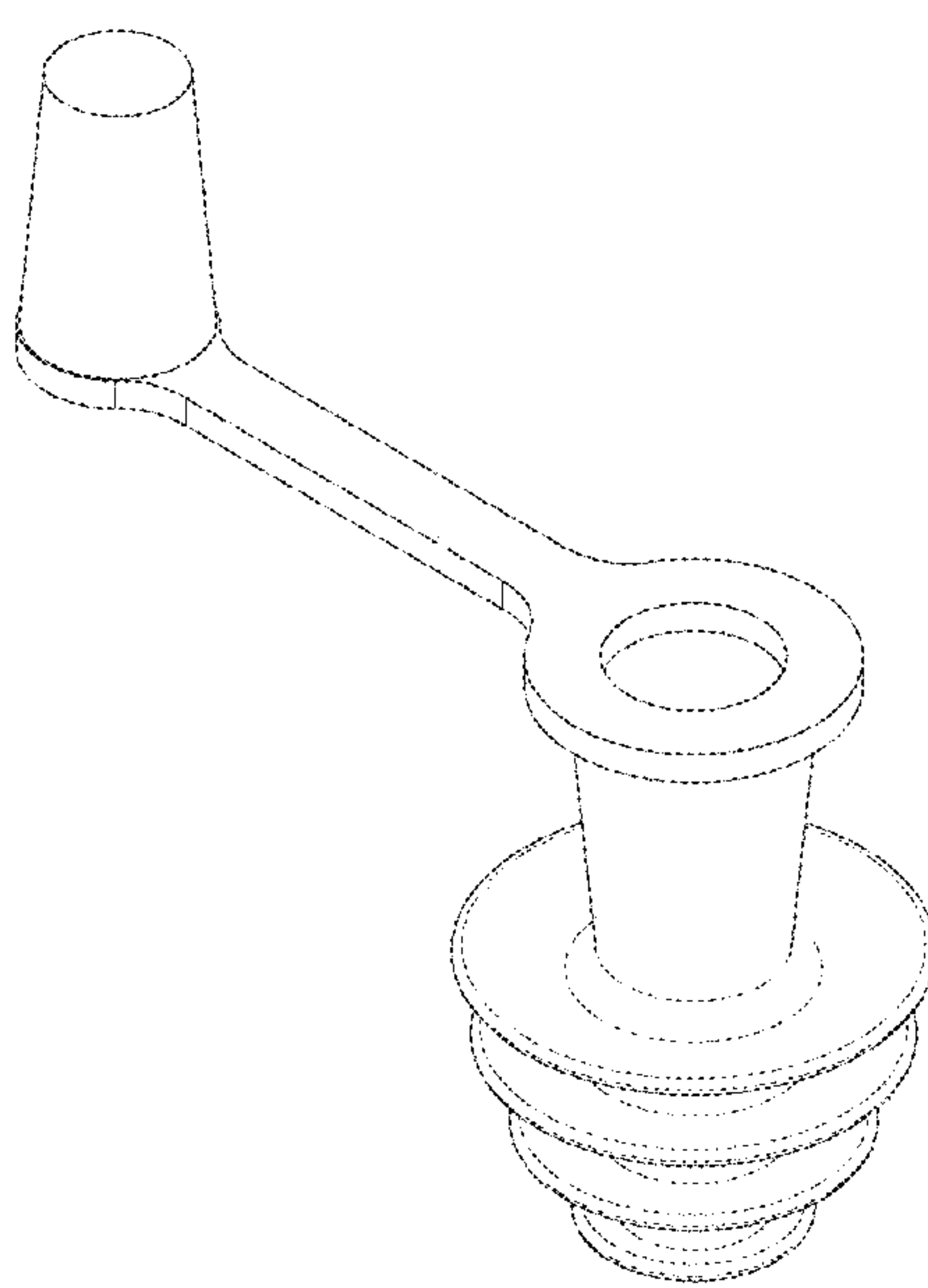
(57) **CLAIM**

The ornamental design for an ear plug, as shown and described.

DESCRIPTION

Ear plug
Figure 1 Perspective
Figure 2 Back
Figure 3 Right
Figure 4 Left
Figure 5 Bottom
Figure 6 Top
The broken lines depict portions of the ear plug that form no part of the claim.

1 Claim, 6 Drawing Sheets



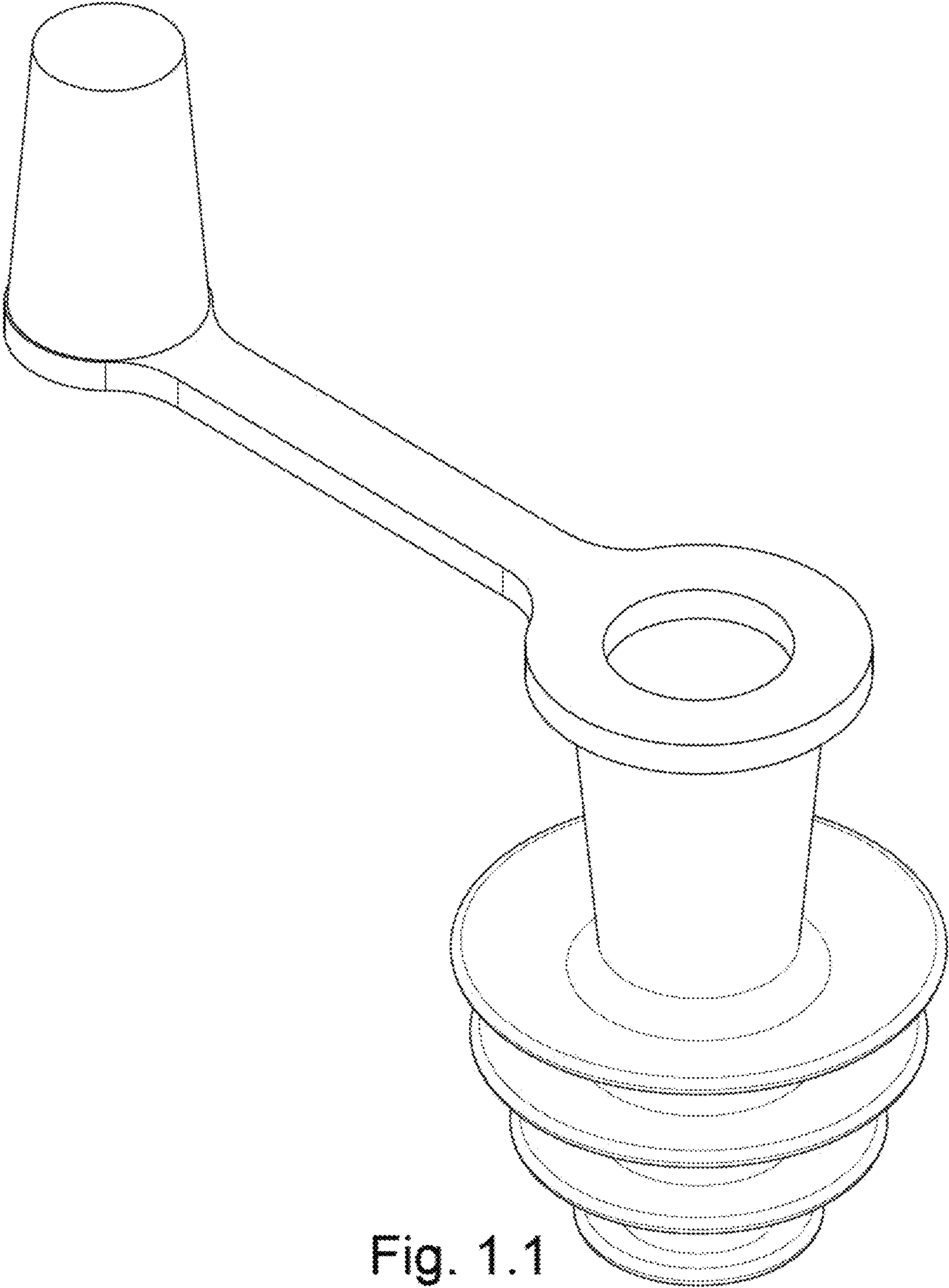


Fig. 1.1

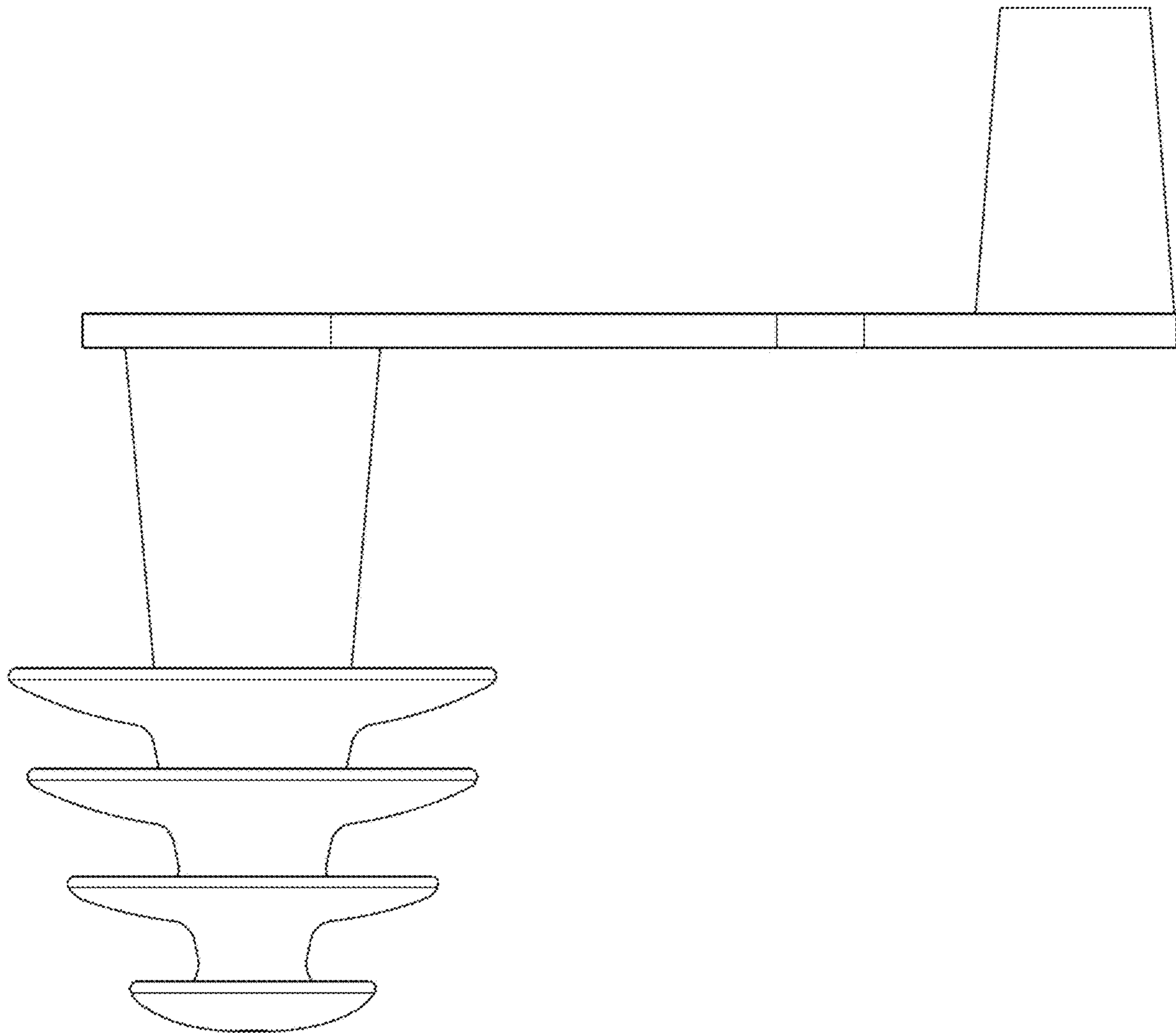


Fig. 1.2

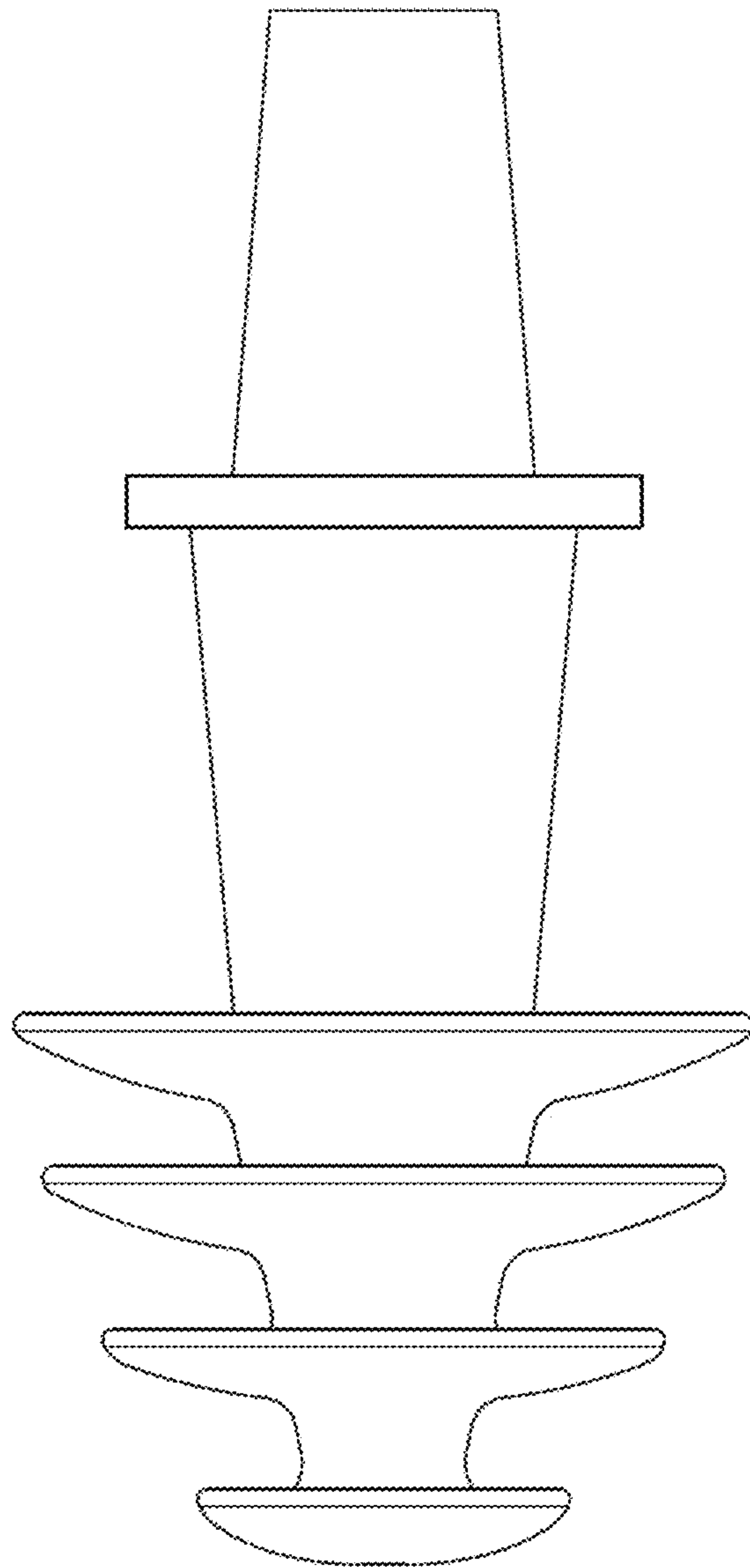


Fig. 1.3

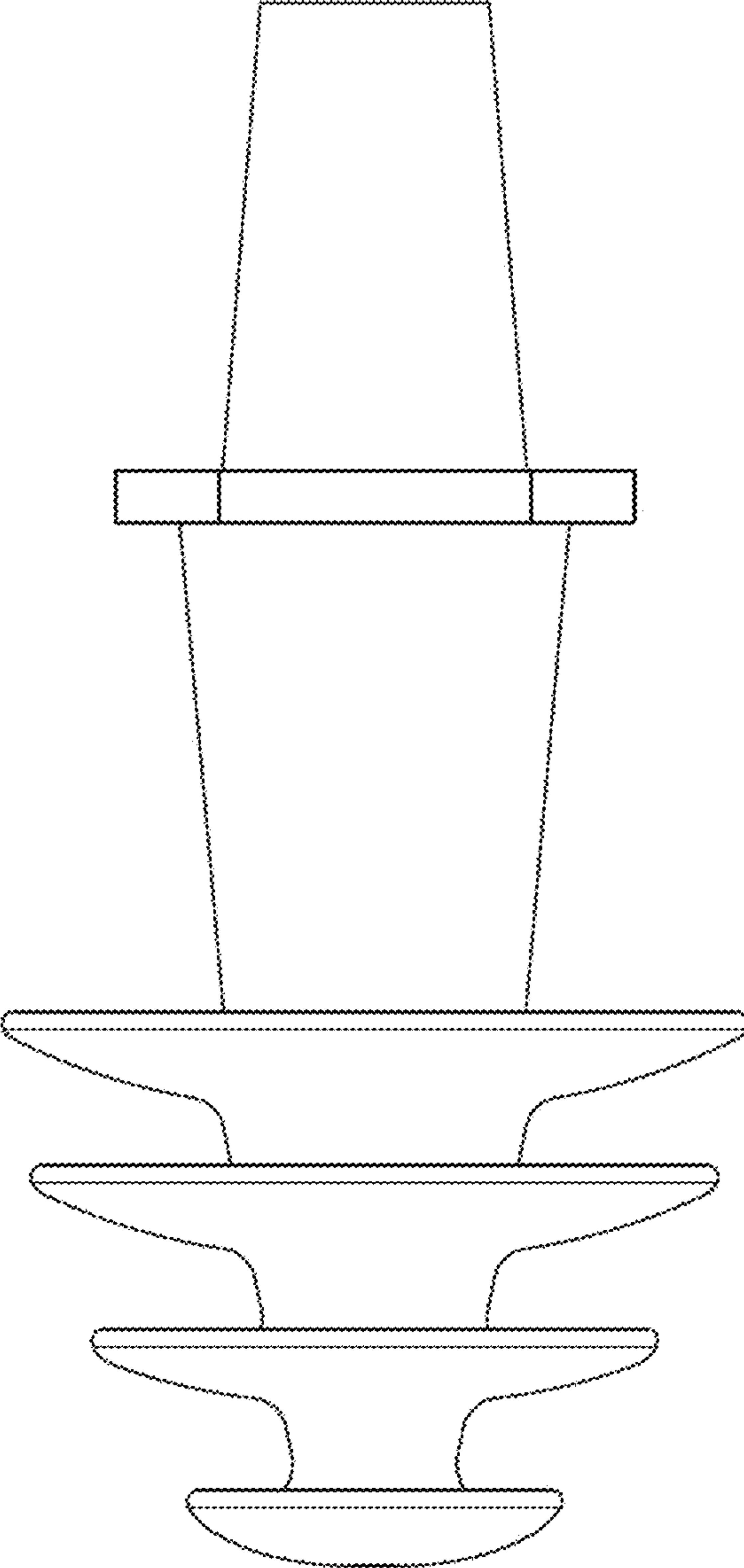


Fig. 1.4

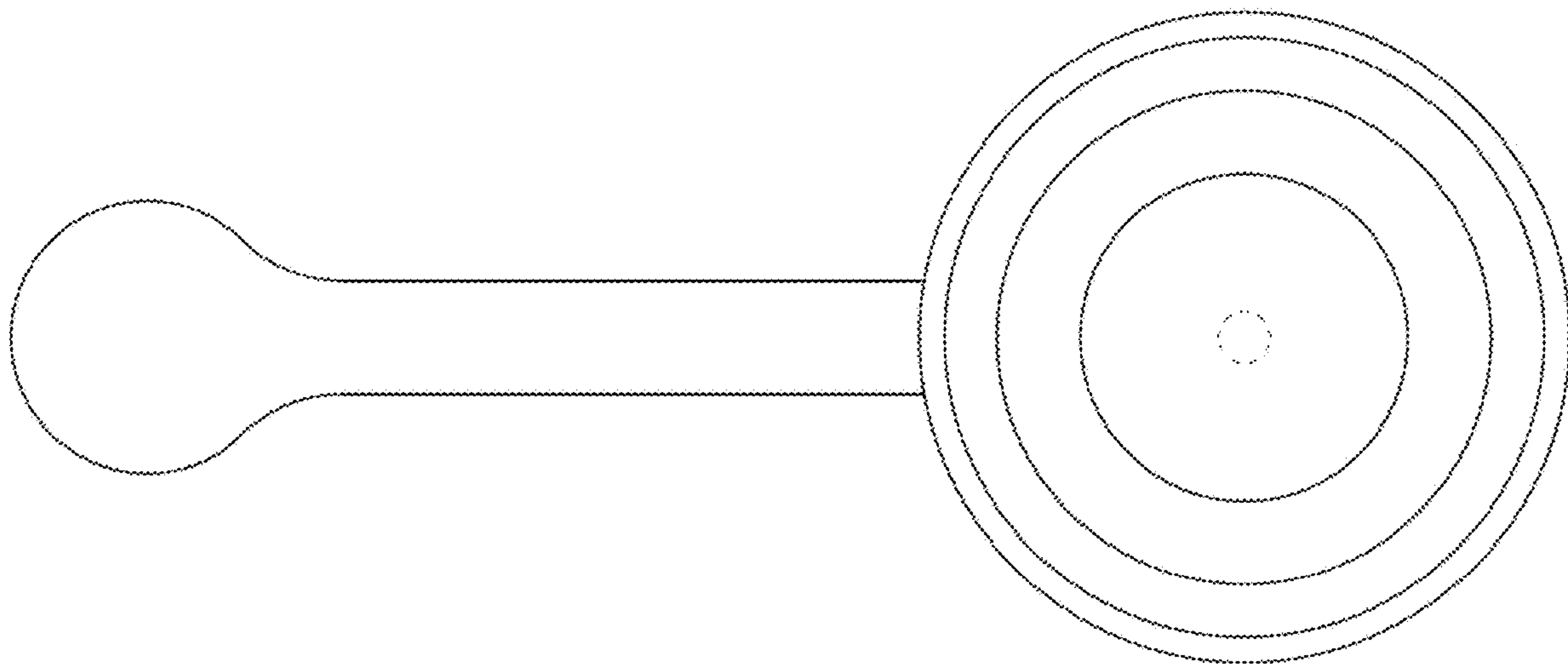


Fig. 1.5

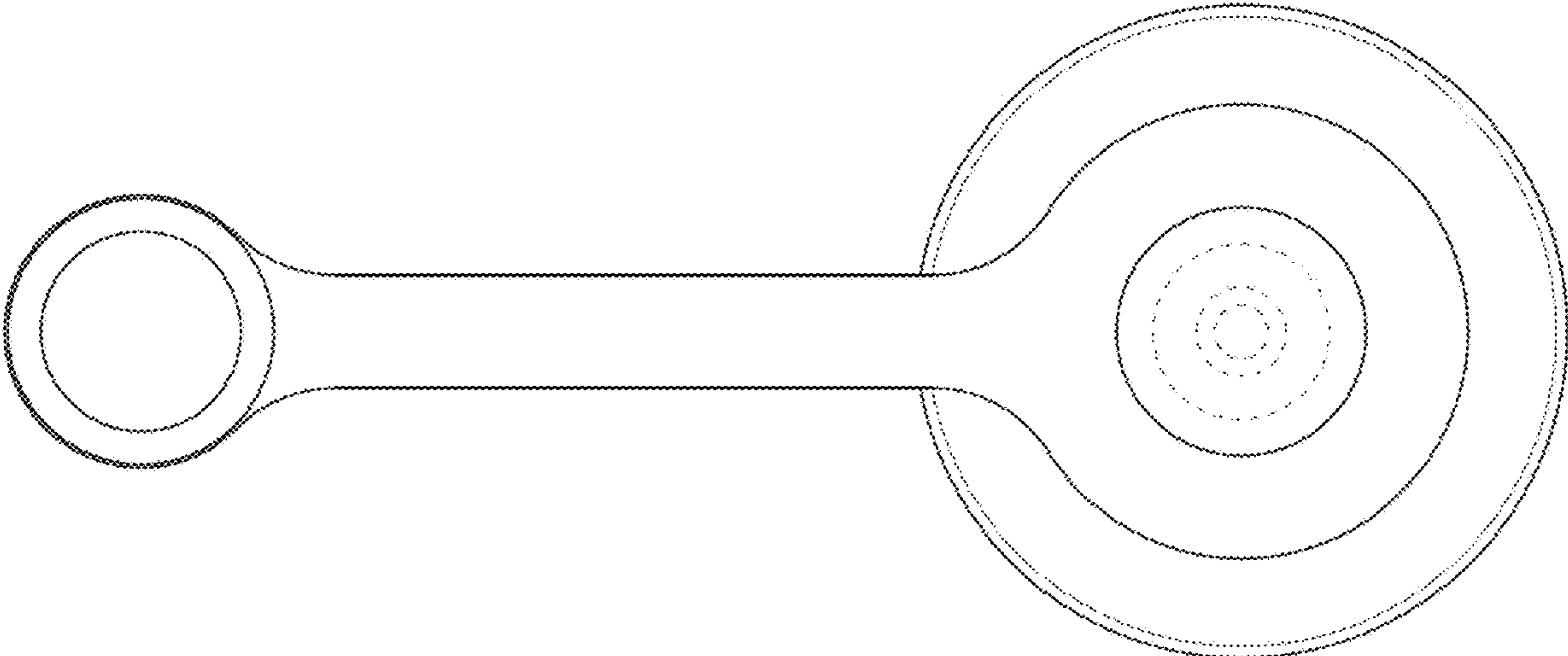


Fig. 1.6