



US00D970718S

(12) **United States Design Patent**  
**Haggar**

(10) **Patent No.:** **US D970,718 S**

(45) **Date of Patent:** **\*\* Nov. 22, 2022**

- (54) **CEILING FAN LIGHT KIT**
- (71) Applicant: **HUNTER FAN COMPANY**,  
Memphis, TN (US)
- (72) Inventor: **Alexander Jonathan Haggar**,  
Memphis, TN (US)
- (73) Assignee: **Hunter Fan Company**, Memphis, TN  
(US)

- D489,126 S 4/2004 Young
- D504,173 S 4/2005 Cohen
- D510,622 S 10/2005 Tai
- D516,200 S 2/2006 Pickett
- D517,197 S 3/2006 Pickett
- D520,633 S \* 5/2006 Tai ..... D23/411
- D528,645 S 9/2006 Young
- D529,163 S 9/2006 Young
- D529,601 S 10/2006 Shurtleff
- D539,894 S 4/2007 Bucher

(Continued)

- (\*\*) Term: **15 Years**
- (21) Appl. No.: **29/817,784**
- (22) Filed: **Dec. 3, 2021**

**OTHER PUBLICATIONS**

<http://www.hunterfan.com/Ceiling-Fans/Gunnar?ModelNumber=59208>, Item Specification for Hunter Fan Gunnar—54" Ceiling Fan, Model No. 59208, Accessed on Oct. 28, 2016.

(Continued)

**Related U.S. Application Data**

- (62) Division of application No. 29/715,721, filed on Dec. 4, 2019, now Pat. No. Des. 941,983, which is a division of application No. 29/582,628, filed on Oct. 28, 2016, now Pat. No. Des. 872,850.
- (51) **LOC (13) Cl.** ..... **23-04**
- (52) **U.S. Cl.**  
USPC ..... **D23/411; D26/59**
- (58) **Field of Classification Search**  
USPC ..... D23/370, 377, 385, 411; D26/59  
CPC ..... F04D 29/703; F04D 29/34; F04D 25/088;  
F04D 25/08; F04D 25/388  
See application file for complete search history.

*Primary Examiner* — Janice Hallmark

(74) *Attorney, Agent, or Firm* — McGarry Bair PC

(57) **CLAIM**

The ornamental design for a ceiling fan light kit, as shown and described.

**DESCRIPTION**

FIG. 1 is a top perspective view of a ceiling fan light kit shown in the environment of a ceiling fan, showing my new design;

FIG. 2 is a bottom perspective view thereof, with the ceiling fan environment removed;

FIG. 3 is a top view thereof;

FIG. 4 is a bottom view thereof; and,

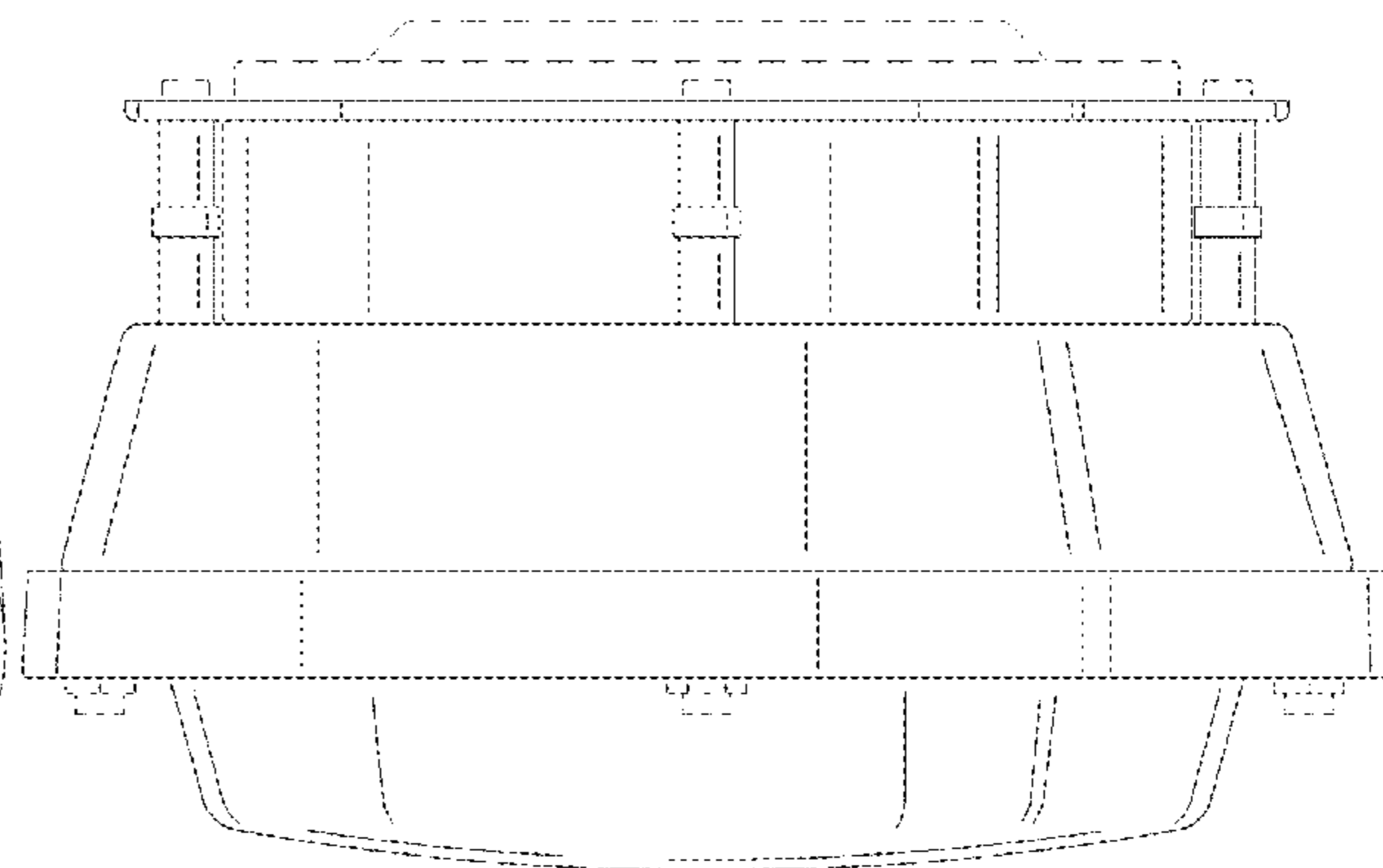
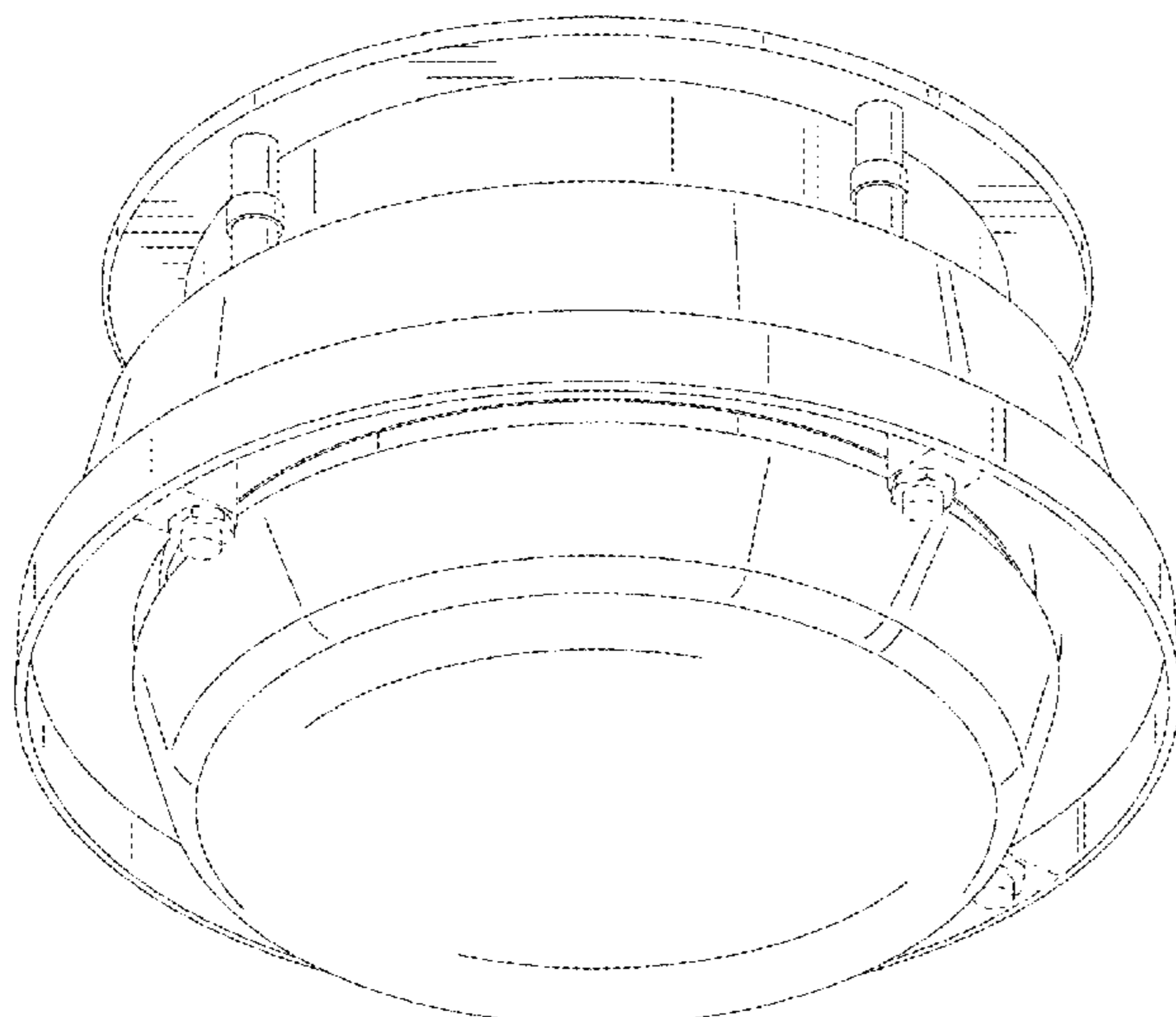
FIG. 5 is a side view thereof.

Portions of the ceiling fan light kit and ceiling fan environment shown in broken lines form no part of the claimed design. Unshaded portions of the ceiling fan light kit located between solid line and broken line subject matter form no part of the claimed design.

**1 Claim, 5 Drawing Sheets**

(56) **References Cited**  
**U.S. PATENT DOCUMENTS**

- D192,402 S 3/1962 Hart
- 4,666,670 A 5/1987 Cox
- D383,528 S 9/1997 Collmar
- D435,289 S 12/2000 Liu
- D449,396 S 10/2001 Campbell
- D476,406 S 6/2003 Friedes
- D479,872 S 9/2003 Young
- D480,470 S 10/2003 Tsuji



(56)

References Cited

U.S. PATENT DOCUMENTS

D541,930 S 5/2007 Pickett  
 D549,866 S 8/2007 Pan  
 D553,239 S \* 10/2007 Wang ..... D23/411  
 D555,779 S 11/2007 Bucher  
 D576,720 S 9/2008 Bucher et al.  
 D581,509 S 11/2008 Marshall  
 D603,954 S 11/2009 Curtin  
 D633,611 S 3/2011 Pan  
 D671,633 S 11/2012 Glasbrenner  
 D706,919 S 6/2014 Wang  
 D708,314 S 7/2014 Pan  
 D710,001 S 7/2014 Wang  
 D710,489 S 8/2014 Shurtleff  
 D710,490 S \* 8/2014 Shurtleff ..... D23/411  
 D743,522 S 11/2015 Pan  
 D744,082 S \* 11/2015 Wang ..... D23/411  
 D799,682 S 10/2017 Wang  
 D805,625 S \* 12/2017 Hagggar ..... D23/385  
 D808,508 S \* 1/2018 Guthrie ..... D23/377  
 D810,270 S 2/2018 Wang  
 D824,558 S 7/2018 Guthrie  
 D825,051 S 8/2018 Guthrie et al.  
 D825,052 S 8/2018 Guthrie  
 D827,123 S 8/2018 Guthrie  
 D834,173 S 11/2018 Holmes  
 D840,018 S 2/2019 Badarello  
 D868,956 S 12/2019 Guthrie  
 D872,850 S 1/2020 Hagggar  
 D875,918 S 2/2020 Hagggar  
 D886,345 S \* 6/2020 O'Connell ..... D26/59  
 D899,581 S 10/2020 Holmes  
 D902,376 S 11/2020 Holmes Bradley et al.  
 D917,688 S 4/2021 Guthrie  
 D921,179 S \* 6/2021 Hagggar ..... D23/377  
 D921,882 S 6/2021 Patrick  
 D949,448 S \* 4/2022 Guthrie ..... D26/59

OTHER PUBLICATIONS

<http://www.hunterfan.com/Ceiling-Fans/Chronicle?ModelNumber=59236>, Item Specification for Hunter Fan Chronicle—54" Ceiling Fan, Model No. 59236, Accessed on Oct. 28, 2016.  
<http://www.craftmade.com/Ellington-Fans-UBR52BNK4-Nickel-Ceiling-Fan.HTM>, Item Specification for Craftmade Ellington Urban Breeze, Model No. UBR52BNK4, Accessed on Oct. 28, 2016.

<http://www.craftmade.com/Ellington-Fans-UB48BC4C1-Brushed-Chrome-Ceiling-Fan.HTM>, Item Specification for Craftmade Ellington Urbana, Model No. UB48BC4C1, Accessed on Oct. 28, 2016.  
<http://www.lowes.com/pd/Harbor-Breeze-Lac-Arpin-44-in-Brushed-Nickel-and-Black-Downrod-Mount-Indoor-Ceiling-Fan-with-Light-Kit-and-Remote-3-Blade/50291921>, Item Specification for Harbor Breeze Lac Arpin 44-in Brushed Nickel and Black Downrod Mount Indoor Ceiling Fan with Light Kit and Remote (3-Blade), Model No. 35062, Accessed on Oct. 28, 2016.  
<https://www.menards.com/main/lighting-ceiling-fans/ceiling-fans/shop-all-ceiling-fans/turn-of-the-century-reg-ashton-52-brushed-nickel-ceiling-fan/p-1444424531588-c-7488.htm?tid=-3210252080453521381>, Item Specification for Turn of the Century Ashton 52" Brushed Nickel Traditional Ceiling Fan, Model No. 35060, Accessed on Oct. 28, 2016.  
<http://www.fanimation.com/products/index.php/fans/spitfire-655.html>, Item Specification for Fanimation Spitfire, Model No. MA6721.  
<http://www.montecarlofans.com/28206/52-Icon-Fan---Roman-Bronze-4ICR52RBD.html>, Item Specification for Monte Carlo 52" Icon Fan—Roman Bronze, Model No. 4ICR52RBD, Accessed on Oct. 28, 2016.  
<http://www.kichler.com/products/product/56-inch-hatteras-bay-fan-bss-300018bss.aspx>, Kichler Hatteras Bay Collection 56 Inch Hatteras Bay Fan BSS, Model No. 300018BSS, Accessed on Oct. 28, 2016.  
<http://www.fanimation.com/products/index.php/fans/odyn.html>, Item Specification for Fanimation Odyn, Model No. FPD8149, Accessed on Oct. 28, 2016.  
<http://www.kichler.com/products/product/52-inch-starkk-ceiling-fan-ni-300173ni.aspx>, Item Specification for Starkk Collection, 52 Inch Starkk Ceiling Fan NI, Model No. 300173NI, Accessed on Oct. 28, 2016.  
<http://www.fanimation.com/products/index.php/fans/inlet.html>, Item Specification for Fanimation Inlet, Model No. FPS7880, Accessed on Oct. 28, 2016.  
<http://ceilingfans.emerson.com/shop/en/fan/fan-s-all/fans-s-browse-all/amhurst-fan-p-cf880>, Item Specification for Emerson Amhurst, Model No. CF880VNB, Accessed on Oct. 28, 2016.  
 Photon 2-Light 54", previously available at <http://www.menards.com/main/lighting-ceiling-fans/ceiling-fans/shop-all-ceiling-fans/photon-2-light-54-in-indoor-brushed-steel-ceiling-fan/p-1444427078445-c-7488.htm?tid=-5545980670796292505>.

\* cited by examiner

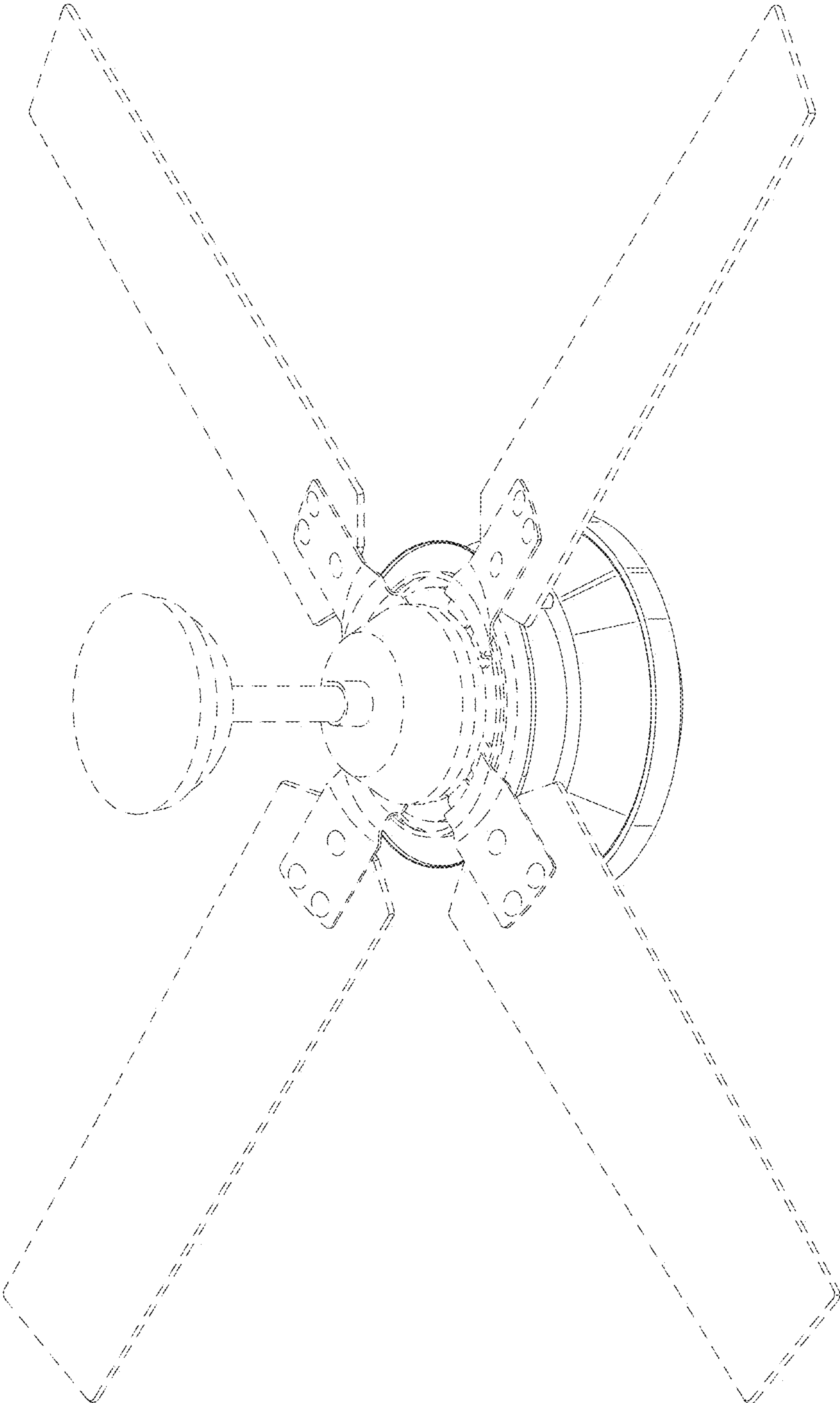


FIG. 1

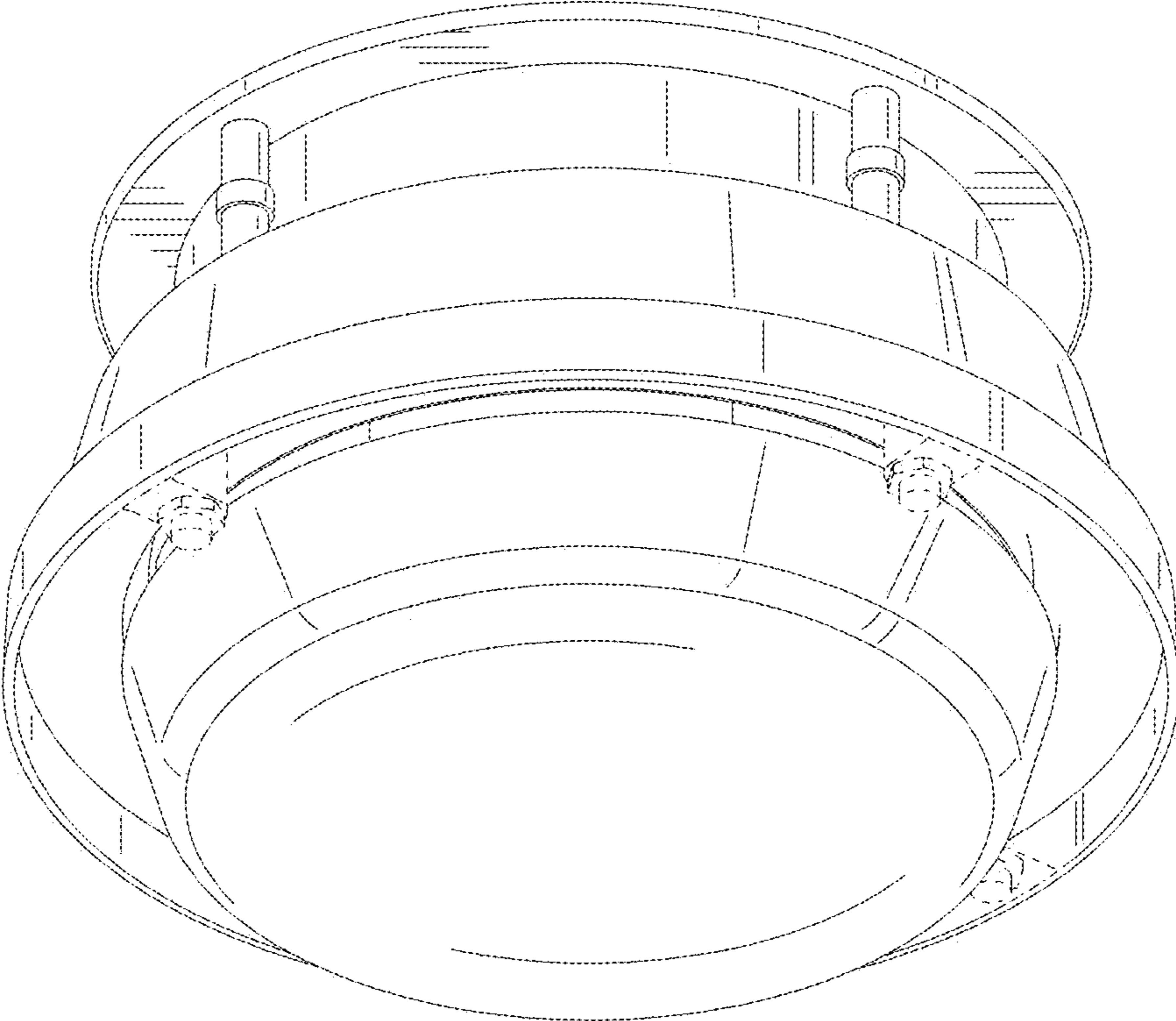


FIG. 2

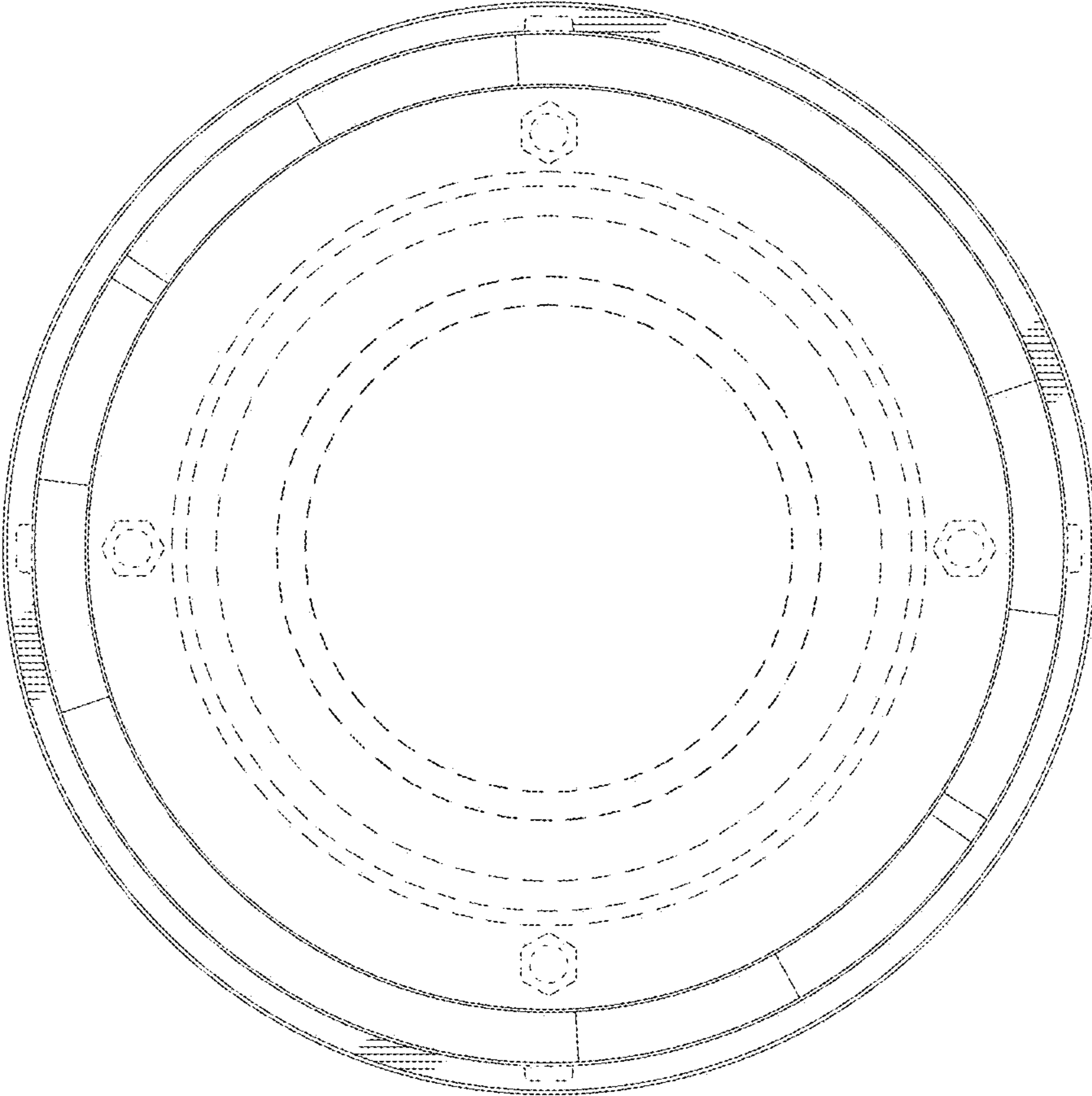


FIG. 3

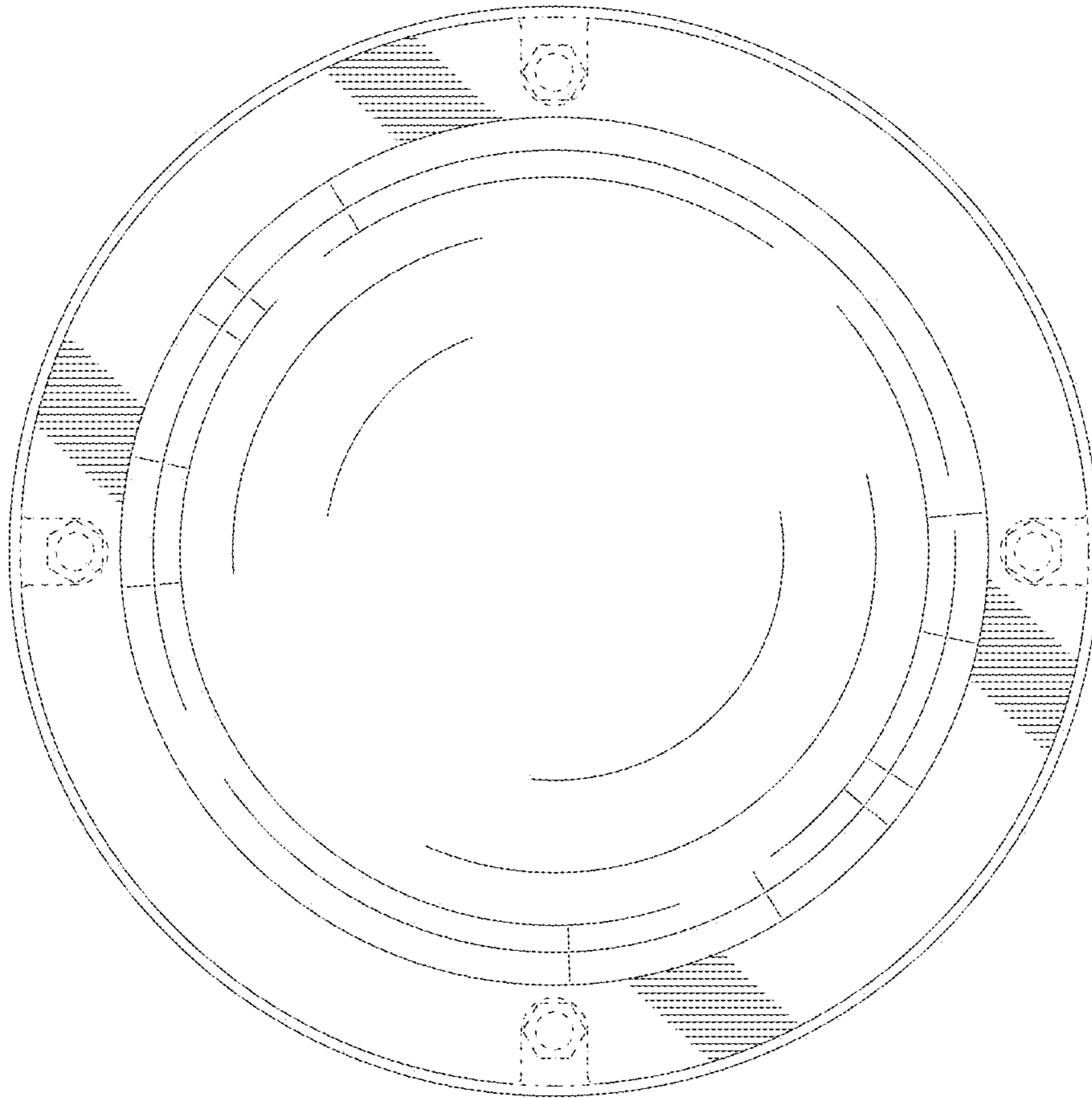


FIG. 4

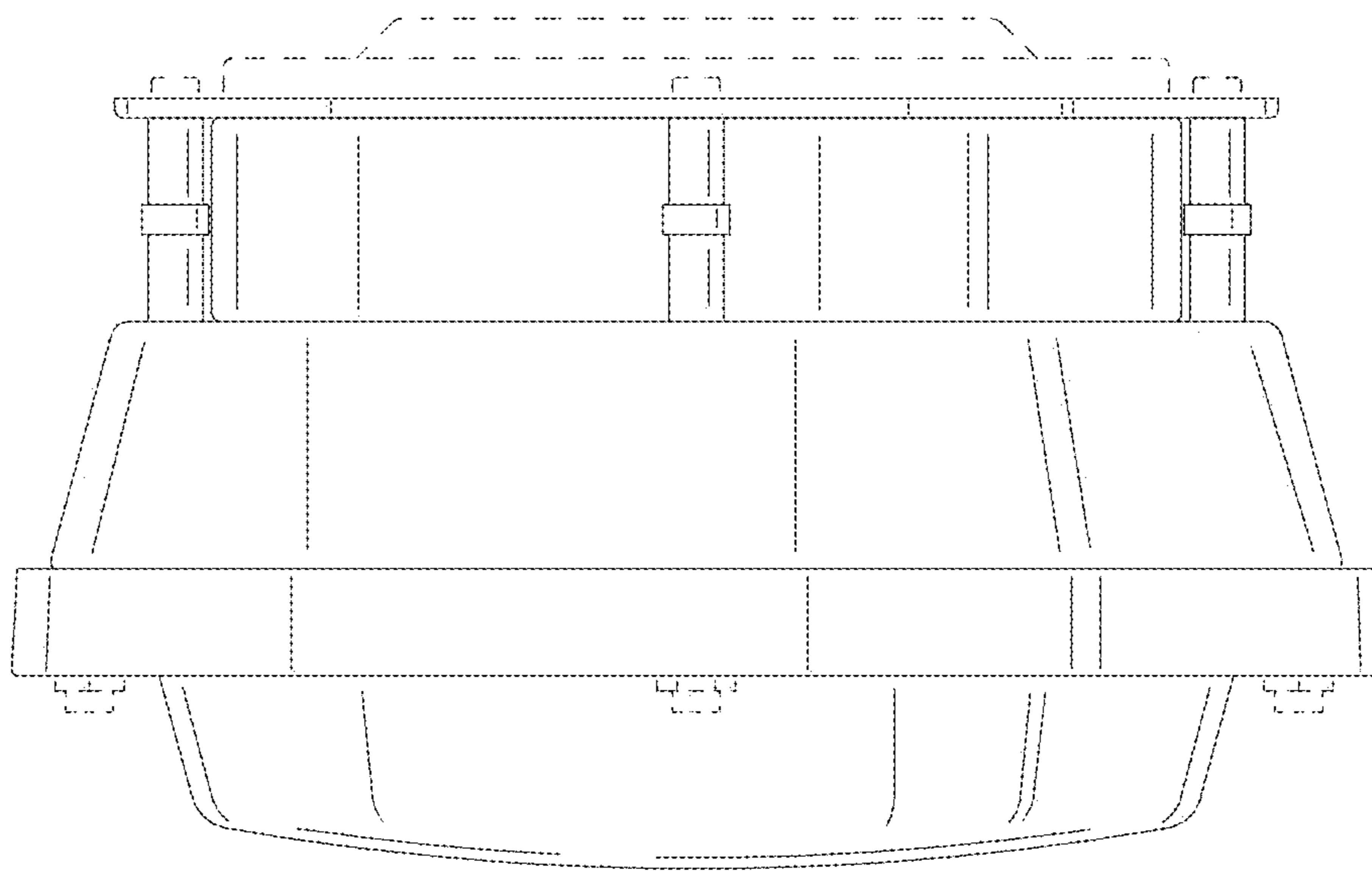


FIG. 5