



US00D970717S

(12) **United States Design Patent** (10) **Patent No.:** **US D970,717 S**
McRoberts (45) **Date of Patent:** **** Nov. 22, 2022**

(54) **COMBINATION CEILING FAN MOTOR HOUSING AND LIGHT KIT**

(71) Applicant: **HUNTER FAN COMPANY**,
Memphis, TN (US)

(72) Inventor: **Claire Bernice McRoberts**, La Jolla,
CA (US)

(73) Assignee: **Hunter Fan Company**, Memphis, TN
(US)

(**) Term: **15 Years**

(21) Appl. No.: **29/756,747**

(22) Filed: **Oct. 30, 2020**

Related U.S. Application Data

(60) Continuation of application No. 29/690,797, filed on
May 10, 2019, now Pat. No. Des. 903,851, which is
a continuation of application No. 29/622,214, filed on
Oct. 16, 2017, now Pat. No. Des. 853,611, which is a
division of application No. 29/556,790, filed on Mar.
3, 2016, now Pat. No. Des. 804,630.

(51) **LOC (13) Cl.** **23-03**

(52) **U.S. Cl.**
USPC **D23/411**; D26/59

(58) **Field of Classification Search**
USPC D23/370, 377, 379, 385, 411-414;
D26/59
CPC F04D 25/088; F04D 29/38; F04D 29/384;
F04D 29/386; F21V 33/0096
See application file for complete search history.

(56) **References Cited**

U.S. PATENT DOCUMENTS

D246,796 S 12/1977 Laymon et al.
4,592,702 A 6/1986 Bogage
D297,974 S 10/1988 Sonneman

D314,618 S 2/1991 Yen
D318,725 S 7/1991 Jaeger
5,066,196 A 11/1991 Morofushi
D328,491 S 8/1992 Markwardt
D328,785 S 8/1992 Markwardt
D328,951 S 8/1992 Scofield et al.
D329,087 S 9/1992 Markwardt
D341,419 S 11/1993 Taylor, III
D344,129 S 2/1994 Markwardt
D344,130 S 2/1994 Craig
D384,737 S 10/1997 Gee, II

(Continued)

OTHER PUBLICATIONS

<http://www.kichler.com/products/product/52-inch-lucian-ceiling-fan-ni-300176ni.aspx>, Item specification for the Kichler Lucien Collection 52 Inch Lucian Ceiling Fan NI 300176NI (Brushed Nickel), accessed Mar. 2, 2016.

(Continued)

Primary Examiner — Sharon S Oum

(74) *Attorney, Agent, or Firm* — McGarry Bair PC

(57)

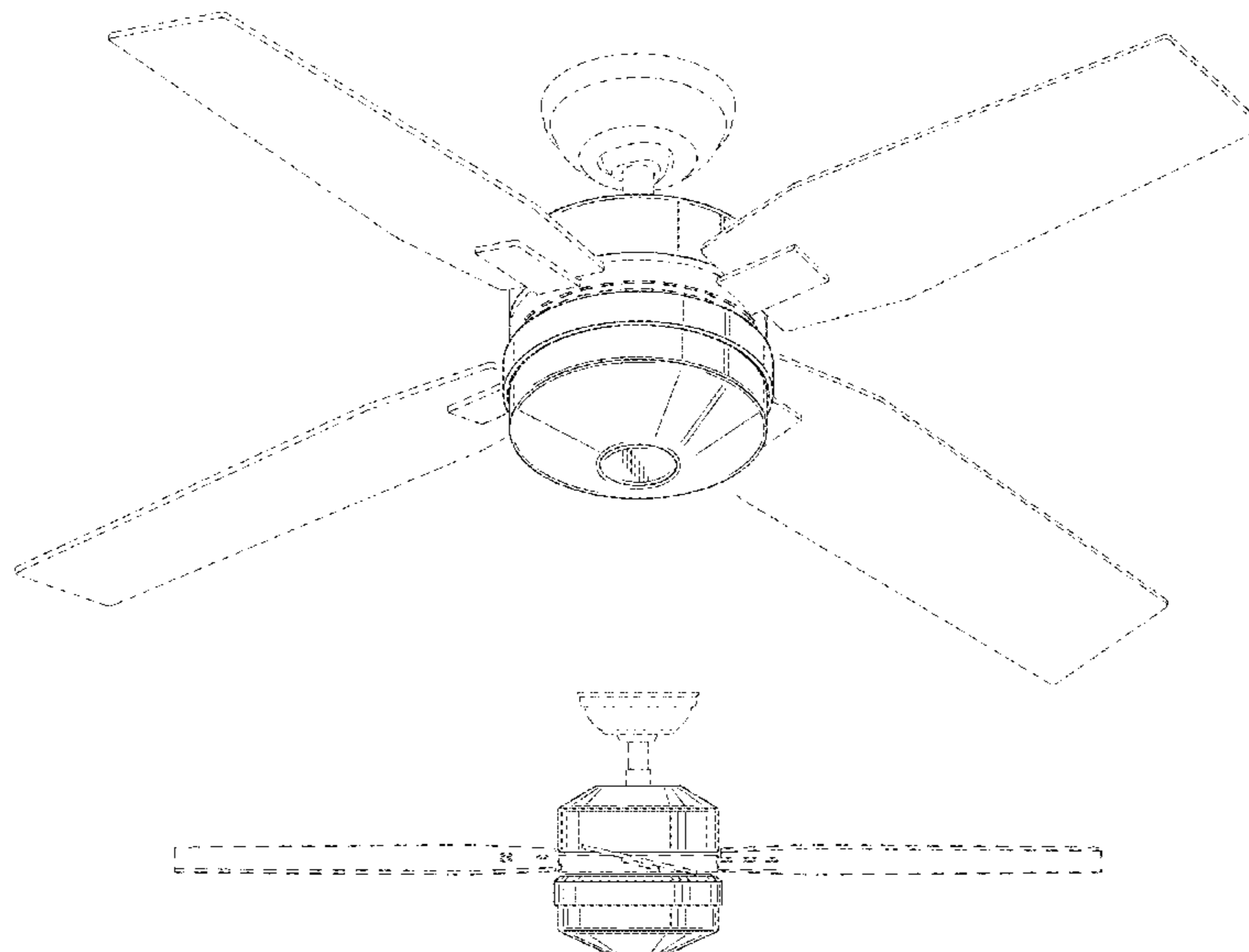
CLAIM

The ornamental design for a Combination ceiling fan motor housing and light kit, as shown and described.

DESCRIPTION

FIG. 1 is a top perspective view of a combination ceiling fan motor housing and light kit shown in the environment of a ceiling fan, showing my new design;
FIG. 2 is a bottom perspective view thereof;
FIG. 3 is a top view thereof;
FIG. 4 is a bottom view thereof;
FIG. 5 is a side view thereof; and,
FIG. 6 is a front view thereof.
Portions of the combination ceiling fan motor housing and light kit, and ceiling fan environment are shown in broken lines, which form no part of the claimed design.

1 Claim, 5 Drawing Sheets



(56)

References Cited

U.S. PATENT DOCUMENTS

D444,870	S	7/2001	Lee	
D453,216	S	1/2002	Gajewski	
D532,104	S	11/2006	Pickett	
D532,510	S	11/2006	Pickett	
D547,436	S	7/2007	Shurtleff	
D599,473	S	9/2009	Klausing et al.	
D599,474	S	9/2009	Klausing et al.	
D601,240	S	9/2009	Klausing et al.	
D603,955	S	11/2009	Patton	
D608,044	S	1/2010	Pickett	
D609,799	S	2/2010	Lee	
7,665,967	B1	2/2010	Parker et al.	
D627,053	S	11/2010	Pan	
D627,456	S	11/2010	Glasbrenner	
D627,874	S	11/2010	Pan	
D628,688	S	12/2010	Pan	
D632,384	S	2/2011	Pan	
D634,055	S	3/2011	Hokazono et al.	
D704,819	S	5/2014	Wang	
D706,406	S	6/2014	Wang	
D707,336	S	6/2014	Pan	
D715,917	S	10/2014	Hidalgo	
D771,794	S	11/2016	Wang	
D785,155	S	4/2017	Wang	
D799,660	S	10/2017	Jones	
D801,510	S	10/2017	O'Connell et al.	
D804,630	S *	12/2017	Holmes	D26/59
D804,639	S *	12/2017	Guthrie	D26/59
D804,648	S	12/2017	McRoberts	
D809,118	S	1/2018	Guthrie et al.	
D810,917	S *	2/2018	Holmes	D23/385
D831,356	S	10/2018	Ryan	
D853,611	S *	7/2019	McRoberts	D26/89
D855,172	S *	7/2019	Holmes	D23/411
D877,314	S *	3/2020	Holmes	D23/411
D885,551	S *	5/2020	McRoberts	D23/377
D920,499	S *	5/2021	Holmes	D26/59
D938,007	S *	12/2021	Biancuzzo	D23/377
D941,453	S *	1/2022	Eiffert	D23/377
2015/0078906	A1	3/2015	Wang	

OTHER PUBLICATIONS

<http://www.fanimation.com/products/index.php/fans/zonix-led.html>, Item specification for the Fanimation Zonix Model No. FP4650, accessed Mar. 2, 2016.

<http://www.kingoffans.com/#/products/ceilingFans>, Item specification for the King of Fans Covington Model # 61020, accessed Mar. 2, 2016.

<http://www.craftmade.com/Craftmade-MN44SS4-Stainless-Steel-Ceiling-Fan.HTM>, Item specification for the Craftmade Montreal 44" Ceiling Fan Blades Included in Stainless Steel with Matte Opal Glass, Product #: MN44SS4, accessed Mar. 2, 2016.

<http://www.hunterfan.com/Ceiling-Fans/Windemere?ModelNumber=59039>, Item specification for the Hunter Fan Windemere—54" Ceiling Fan, Model # 59039 Brushed Nickel Finish, accessed Mar. 2, 2016.

<http://www.kingoffans.com/#/products/ceilingFans>, Item specification for the King of Fans Breezmore Model #51556, accessed Mar. 2, 2016.

<http://www.craftmade.com/Craftmade-ATA52ABZ5-Aged-Bronze-Brushed-Ceiling-Fan.HTM>, Item specification for the Atara 52" Ceiling Fan with Blades Included in Aged Bronze Brushed with Matte Opal GI, Product #: ATA52ABZ5, accessed Mar. 2, 2016.

<http://www.homedepot.com/p/Hampton-Bay-Middleton-42-in-White-Ceiling-Fan-UE42VWH-SHB/204492499>, Item specification for the Home Depot, Hampton Bay Middleton, 42 in. White Ceiling Fan, Model # UE42VWH-SHB, accessed Mar. 2, 2016.

<http://www.montecarlofans.com/21221/52-Weatherford-Deluxe-Outdoor-Fan---Matte-Black-5WF52BKD.html>, Item specification for the Monte Carlo Weatherford, 52" Weatherford Deluxe Outdoor Fan—Matte Black, Product # 5WF52BKD-L, accessed Mar. 2, 2016.

http://www.lowes.com/pd_652192-2120-35063_1z0vgaxZ1z140v4_?productId=50291923&pl=1, Item specification for the Harbor Breeze Melamy 48-in Oil Rubbed Bronze Downrod Mount Ceiling Fan with Light Kit Item #: 652192 | Model # 35063, accessed Mar. 2, 2016.

<http://www.hunterfan.com/Ceiling-Fans/Acadia?ModelNumber=59171>, Item specification for the Hunter Fan Acadia 46" Ceiling Fan Product #59171, accessed Mar. 2, 2016.

<http://www.craftmade.com/Craftmade-FA52BN5-Nickel-Ceiling-Fan.HTM>, Item specification for the Craftmade 5th Avenue 52" Ceiling Fan Blades Included in Brushed Nickel with Matte Opal Glass Product #: FA52BN5 (647881094072-167848), accessed Mar. 2, 2016.

Quorum International 65524-95 Davenport 52-Inch Hugger Ceiling Fan, date first available Jan. 27, 2009, amazon.com, site visited Aug. 14, 2017, Copyright © 1996-2017, Available from Internet, https://www.amazon.com/Quorum-International-65524-95-Davenport-52-Inch/dp/B007SV5568/ref=sr_1_2?s=hi&ie=UTF8&qid=1502728686&sr=1-2&.

* cited by examiner

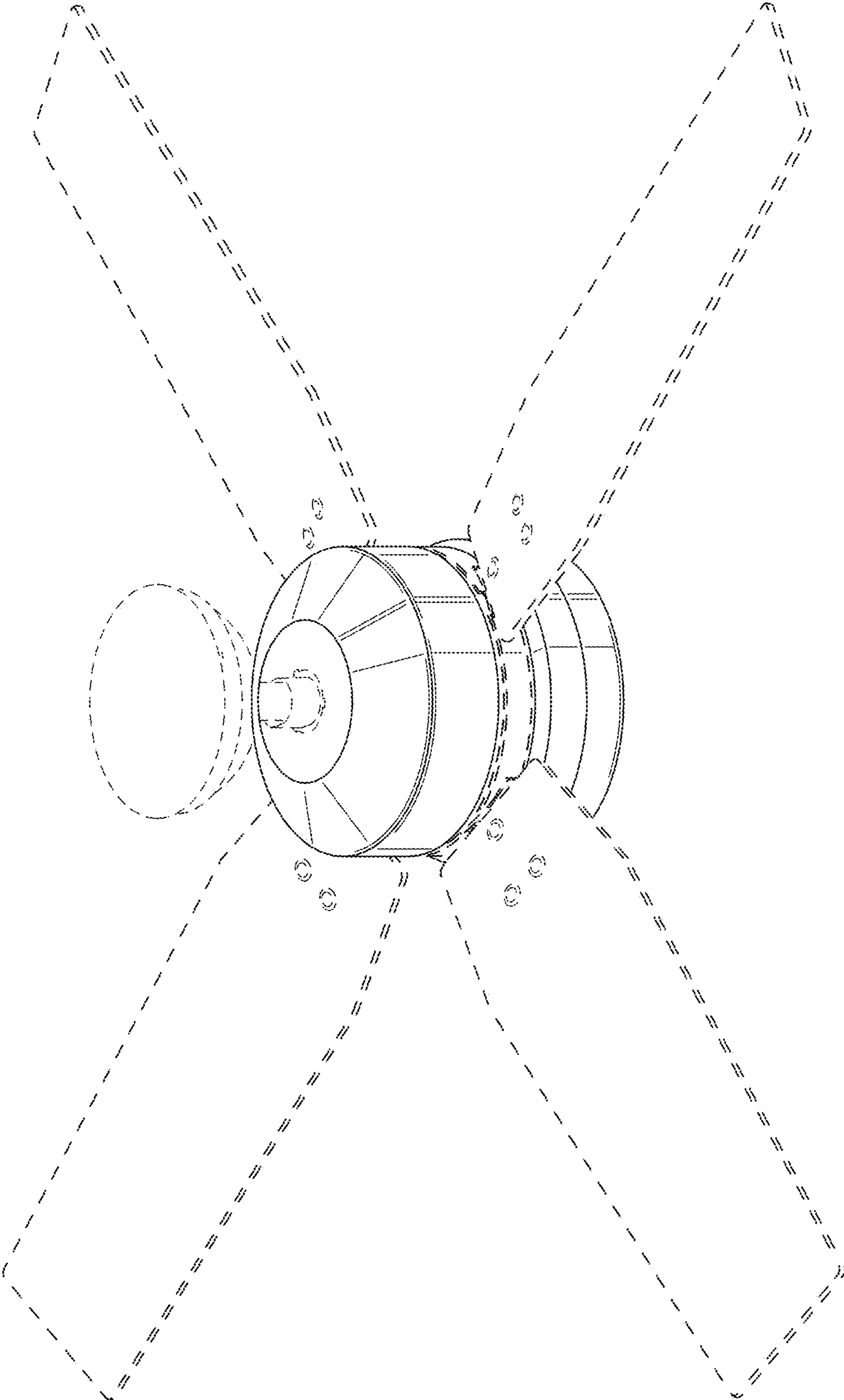


FIG.1

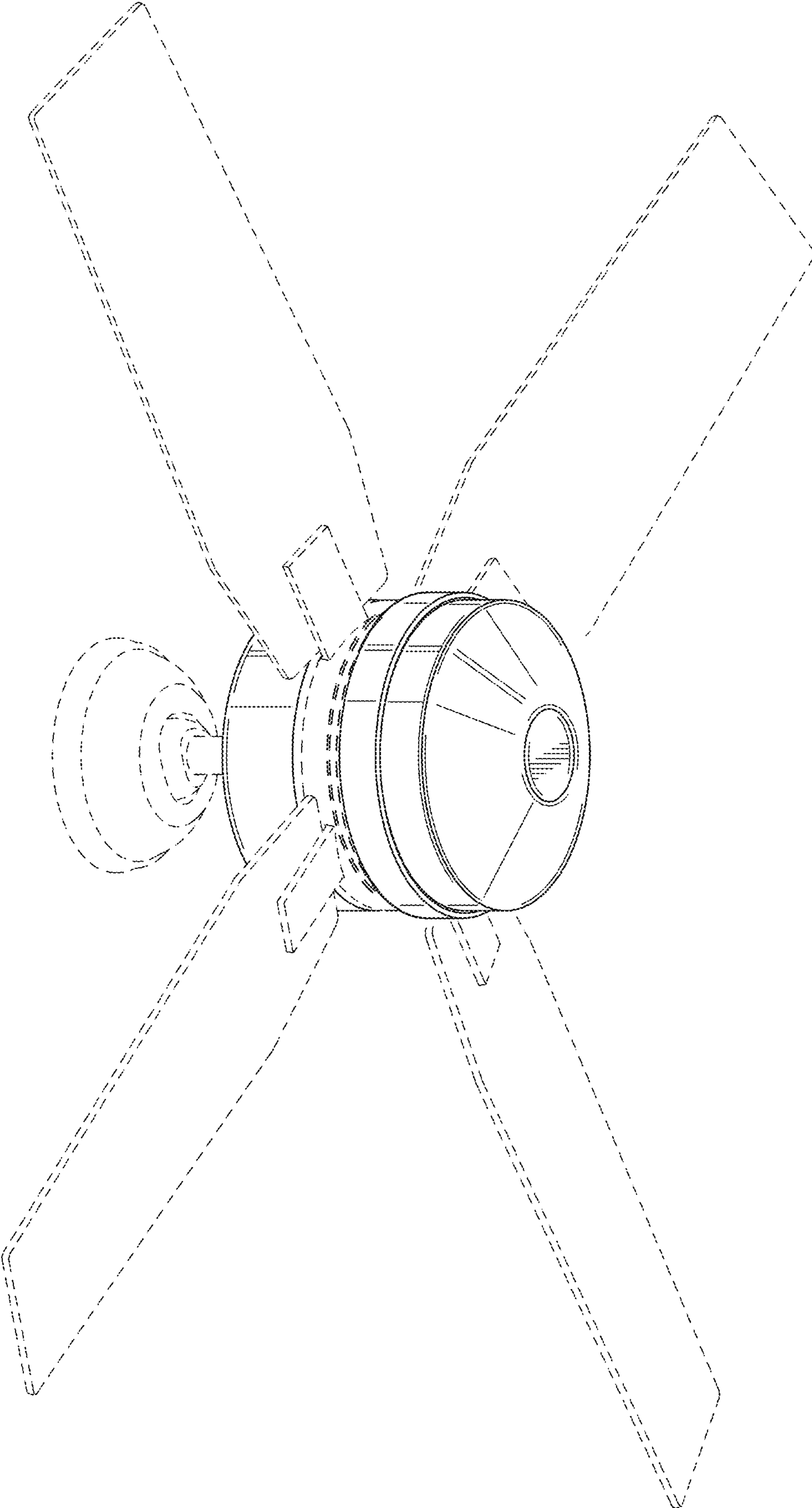


FIG. 2

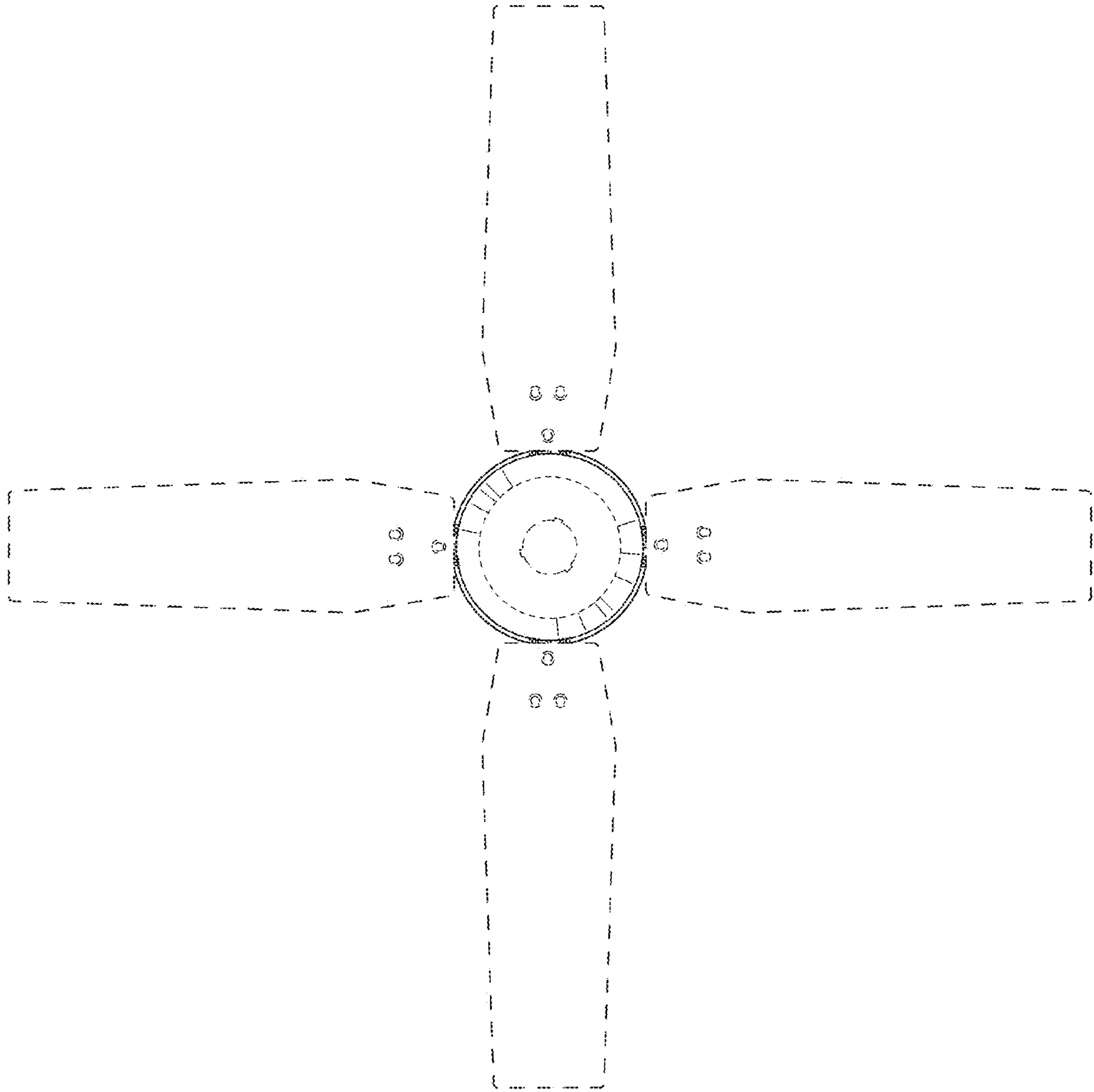


FIG.3

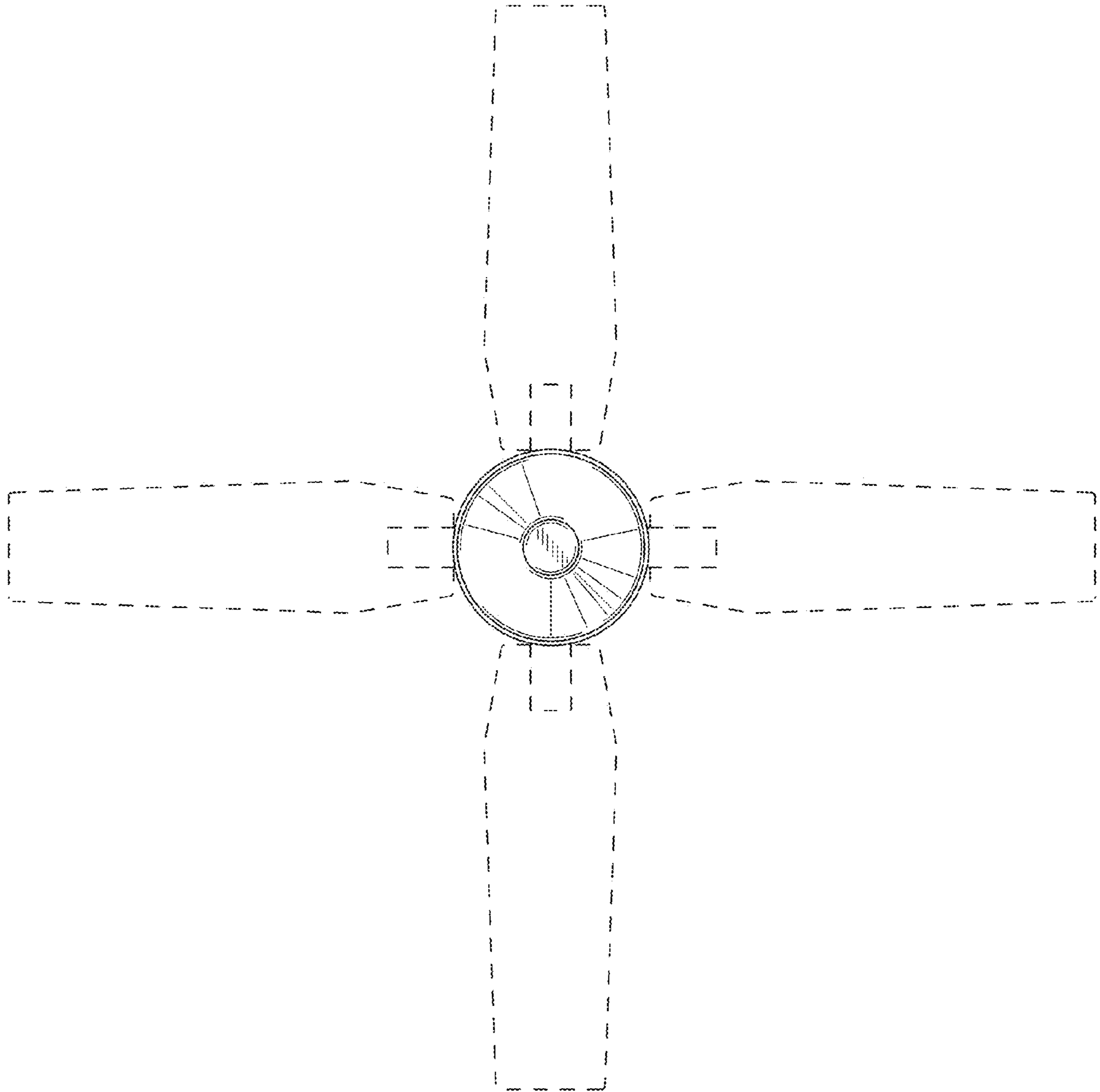


FIG. 4

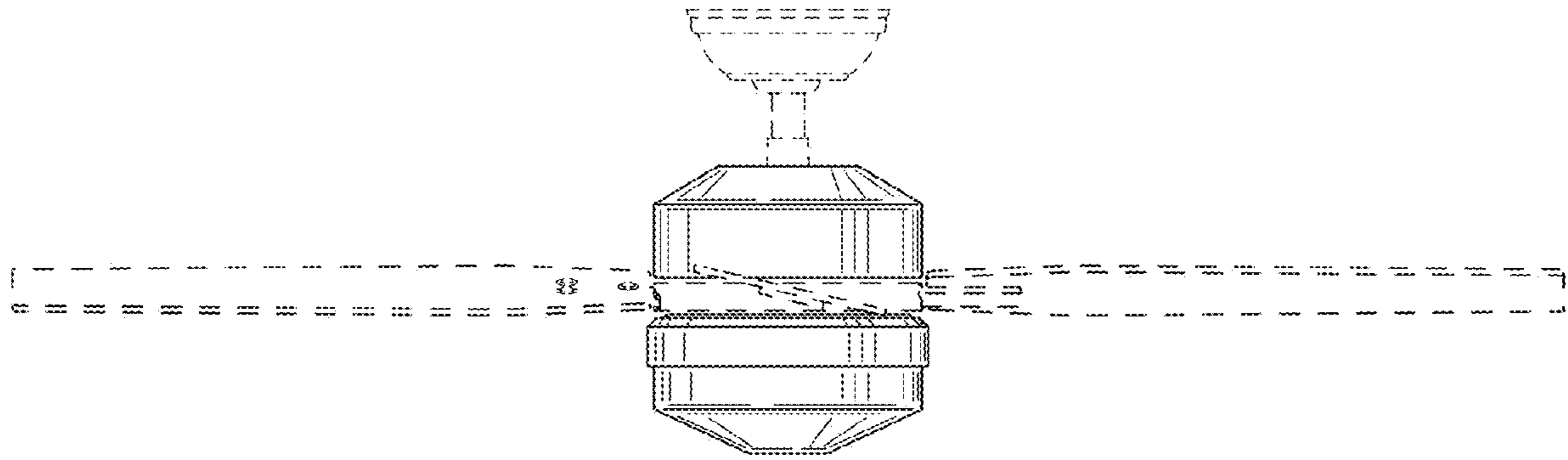


FIG. 5

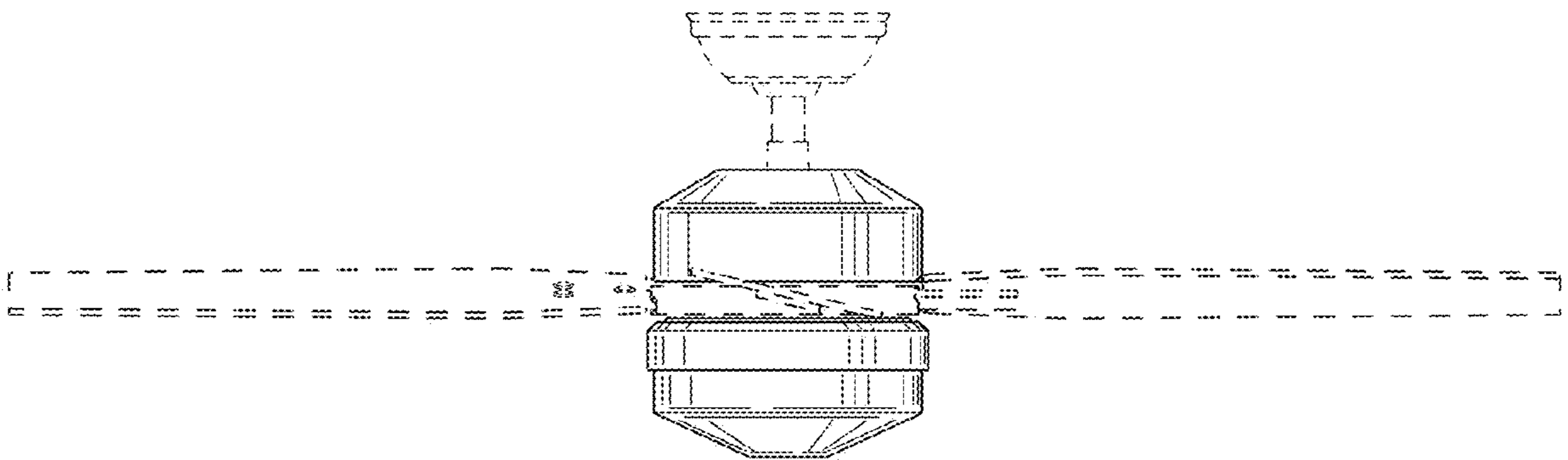


FIG. 6