



US00D970716S

(12) **United States Design Patent** (10) **Patent No.:** **US D970,716 S**
McRoberts (45) **Date of Patent:** **** Nov. 22, 2022**

(54) **CEILING FAN MOTOR HOUSING**

(71) Applicant: **HUNTER FAN COMPANY**,
Memphis, TN (US)

(72) Inventor: **Claire Bernice McRoberts**, La Jolla,
CA (US)

(73) Assignee: **Hunter Fan Company**, Memphis, TN
(US)

(**) Term: **15 Years**

(21) Appl. No.: **29/732,225**

(22) Filed: **Apr. 22, 2020**

Related U.S. Application Data

(62) Division of application No. 29/634,429, filed on Jan.
22, 2018, now Pat. No. Des. 885,551.

(51) **LOC (13) Cl.** **23-04**

(52) **U.S. Cl.**
USPC **D23/411**

(58) **Field of Classification Search**
USPC D26/59; D23/370, 377, 385, 411
CPC ... F04D 25/088; F04D 29/703; F21V 33/0096
See application file for complete search history.

(56) **References Cited**

U.S. PATENT DOCUMENTS

D430,280 S	8/2000	Huang	
D627,873 S	11/2010	Pan	
D627,874 S	11/2010	Pan	
D632,384 S	2/2011	Pan	
D707,336 S	6/2014	Pan	
D743,528 S	11/2015	Wang	
D744,634 S	12/2015	Wang	
D756,503 S *	5/2016	Wang D26/59
D771,787 S	11/2016	Wang	

D782,025 S	3/2017	Pickett	
D782,644 S	3/2017	Wang	
D783,796 S	4/2017	Badarello et al.	
D785,155 S	4/2017	Wang	
D804,630 S	12/2017	Holmes et al.	
D804,639 S	12/2017	Guthrie	
D805,174 S	12/2017	Guthrie	
D805,175 S	12/2017	Haggar	
D805,625 S	12/2017	Haggar	
D809,644 S	2/2018	Holmes et al.	
D810,917 S	2/2018	Holmes	
D810,920 S	2/2018	Haggar	
D825,052 S *	8/2018	Guthrie D23/411
D849,224 S	5/2019	Gardner	
D855,172 S	7/2019	Holmes	
D855,789 S	8/2019	Haggar	
D866,746 S	11/2019	Holmes	

(Continued)

Primary Examiner — Janice Hallmark

(74) *Attorney, Agent, or Firm* — McGarry Bair PC

(57) **CLAIM**

The ornamental design for a ceiling fan motor housing, as shown and described.

DESCRIPTION

FIG. 1 is a top perspective view of a ceiling fan motor housing shown in the environment of a ceiling fan, showing my new design;

FIG. 2 is a bottom perspective view of the ceiling fan motor housing of FIG. 1, having the ceiling fan environment removed;

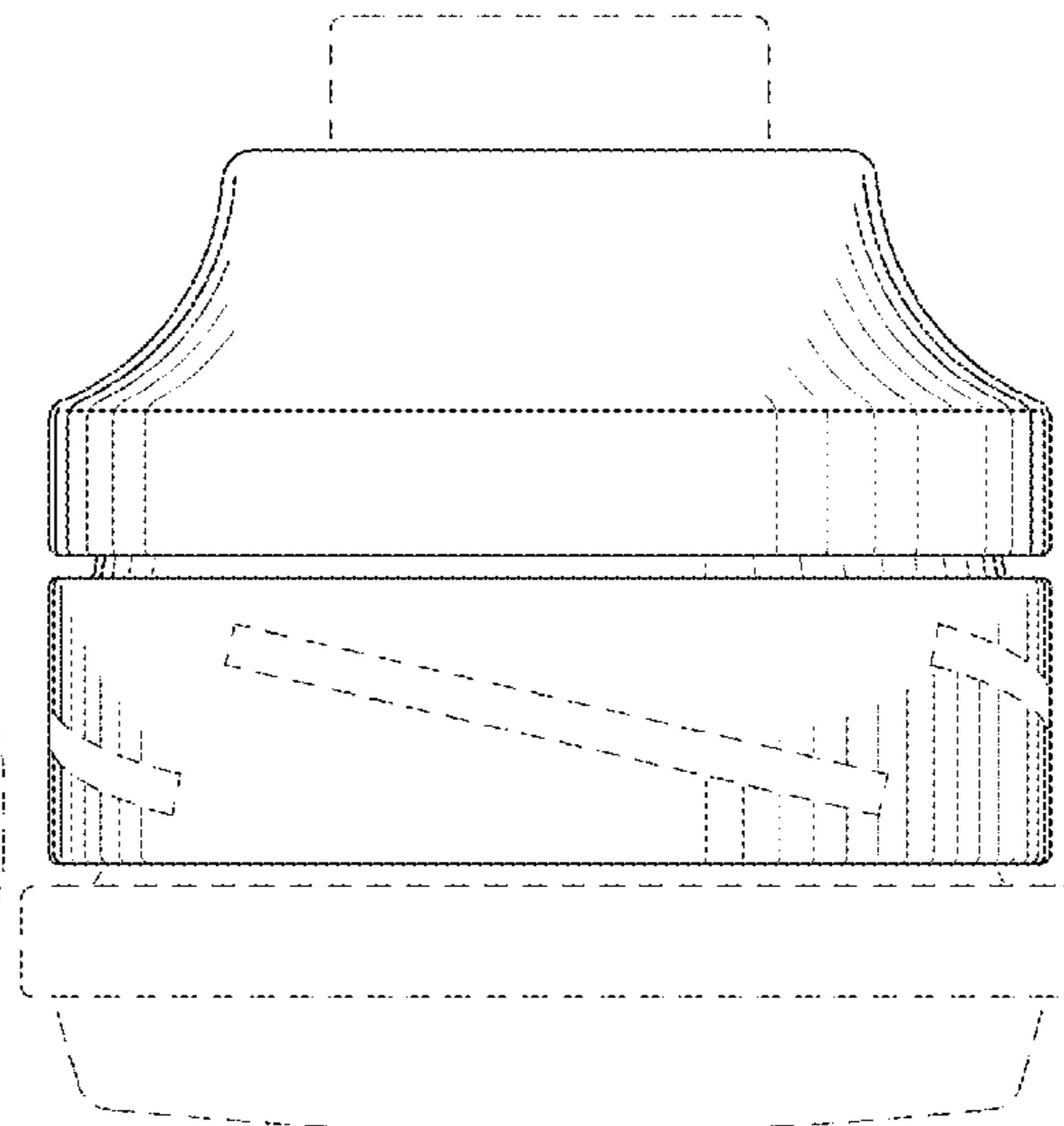
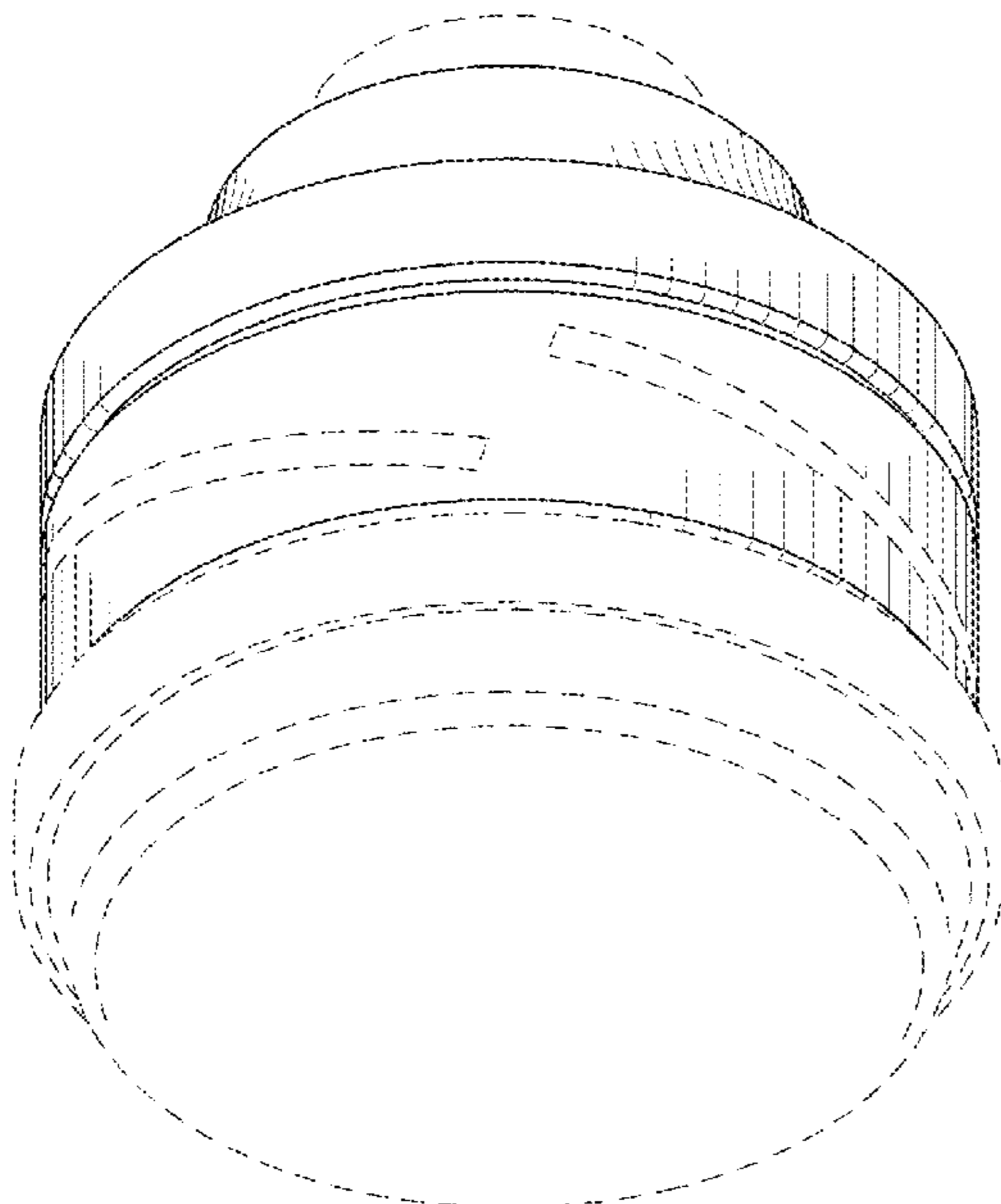
FIG. 3 is a top view thereof;

FIG. 4 is a bottom view thereof; and,

FIG. 5 is a side view thereof.

The broken lines in the drawings illustrate portions of the ceiling fan motor housing. Additional broken lines in FIG. 1 showing a ceiling fan, illustrate environmental subject matter. All broken lines form no part of the claimed design.

1 Claim, 5 Drawing Sheets



(56)

References Cited

U.S. PATENT DOCUMENTS

D872,252 S *	1/2020	McRoberts	D23/377
D885,551 S *	5/2020	McRoberts	D23/377
D900,301 S *	10/2020	Haggar	D23/411
D902,376 S *	11/2020	Holmes Bradley	D23/411
D938,569 S *	12/2021	Biancuzzo	D23/377
D944,968 S *	3/2022	Gorali	D23/411
D947,354 S *	3/2022	Quan	D23/377
D952,127 S *	5/2022	McRoberts	D23/411

* cited by examiner

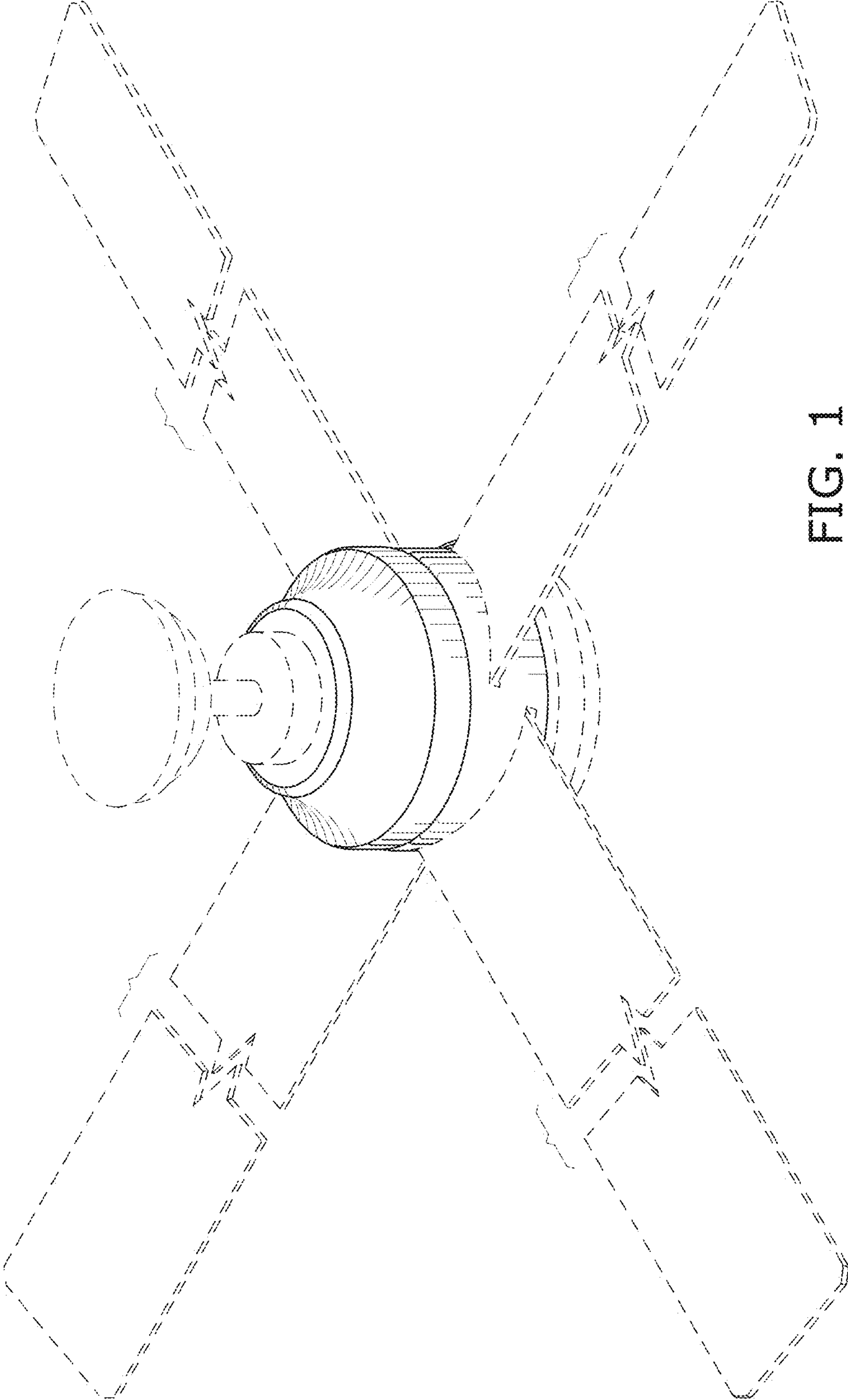


FIG. 1

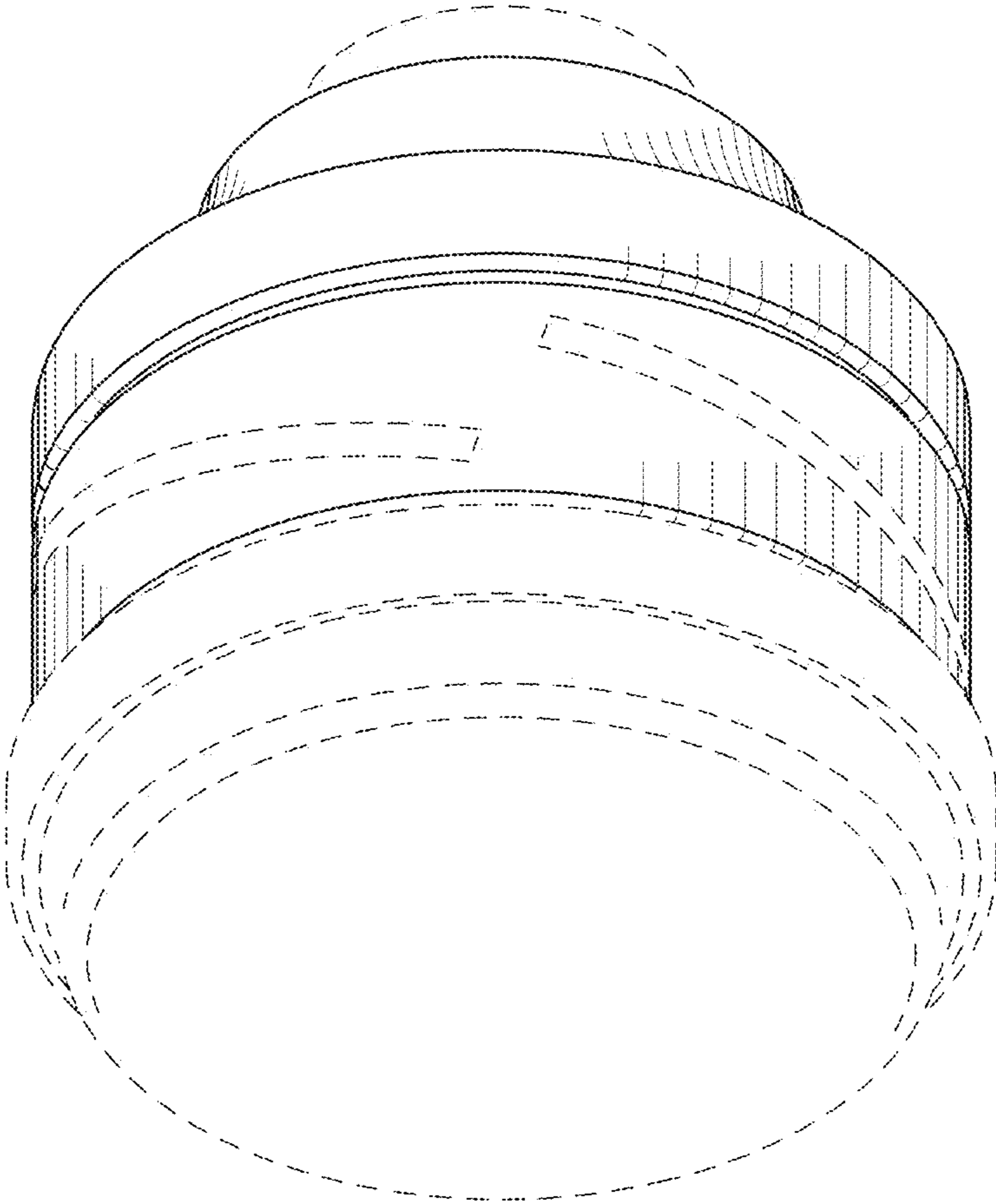


FIG. 2

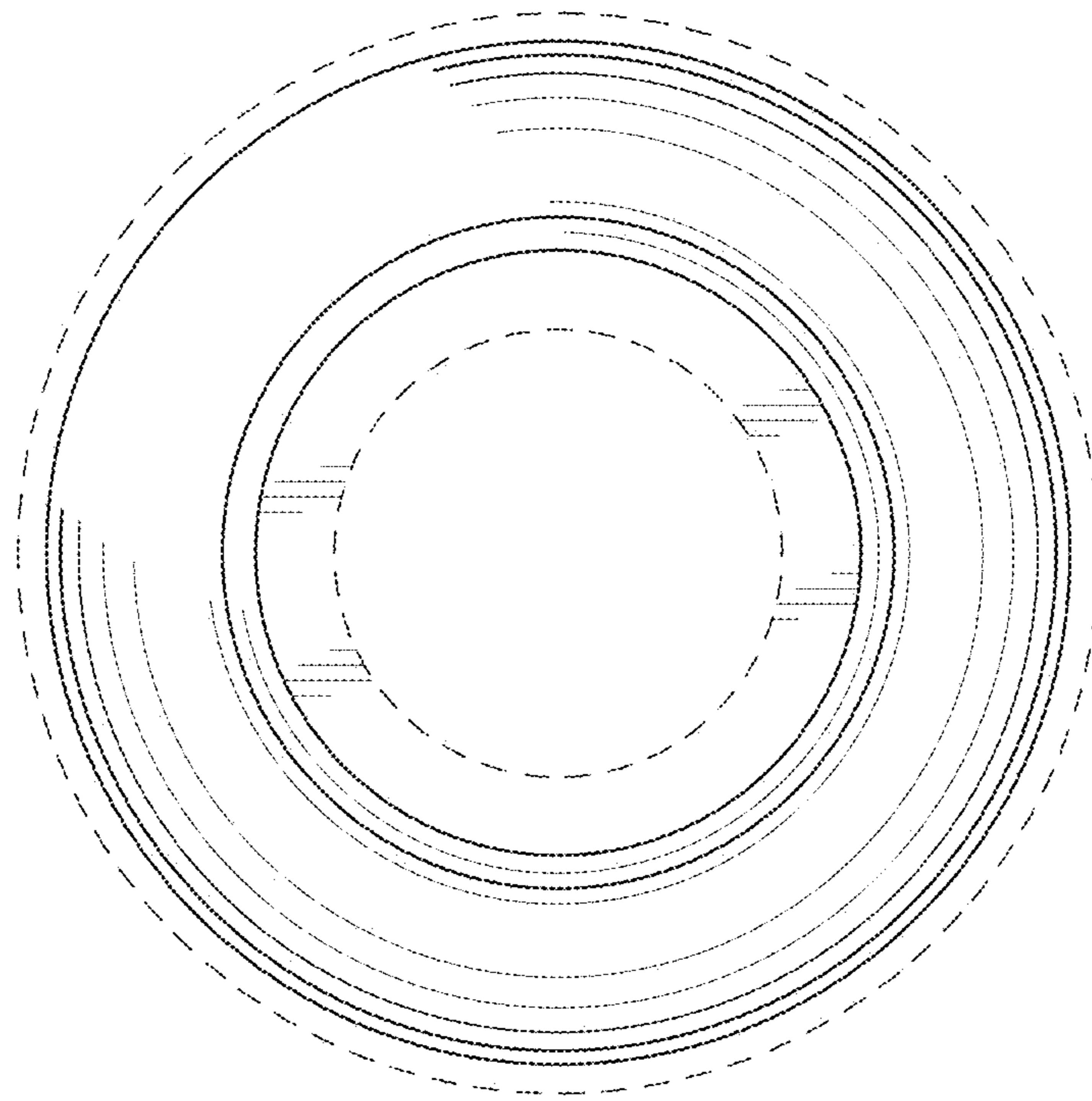


FIG. 3

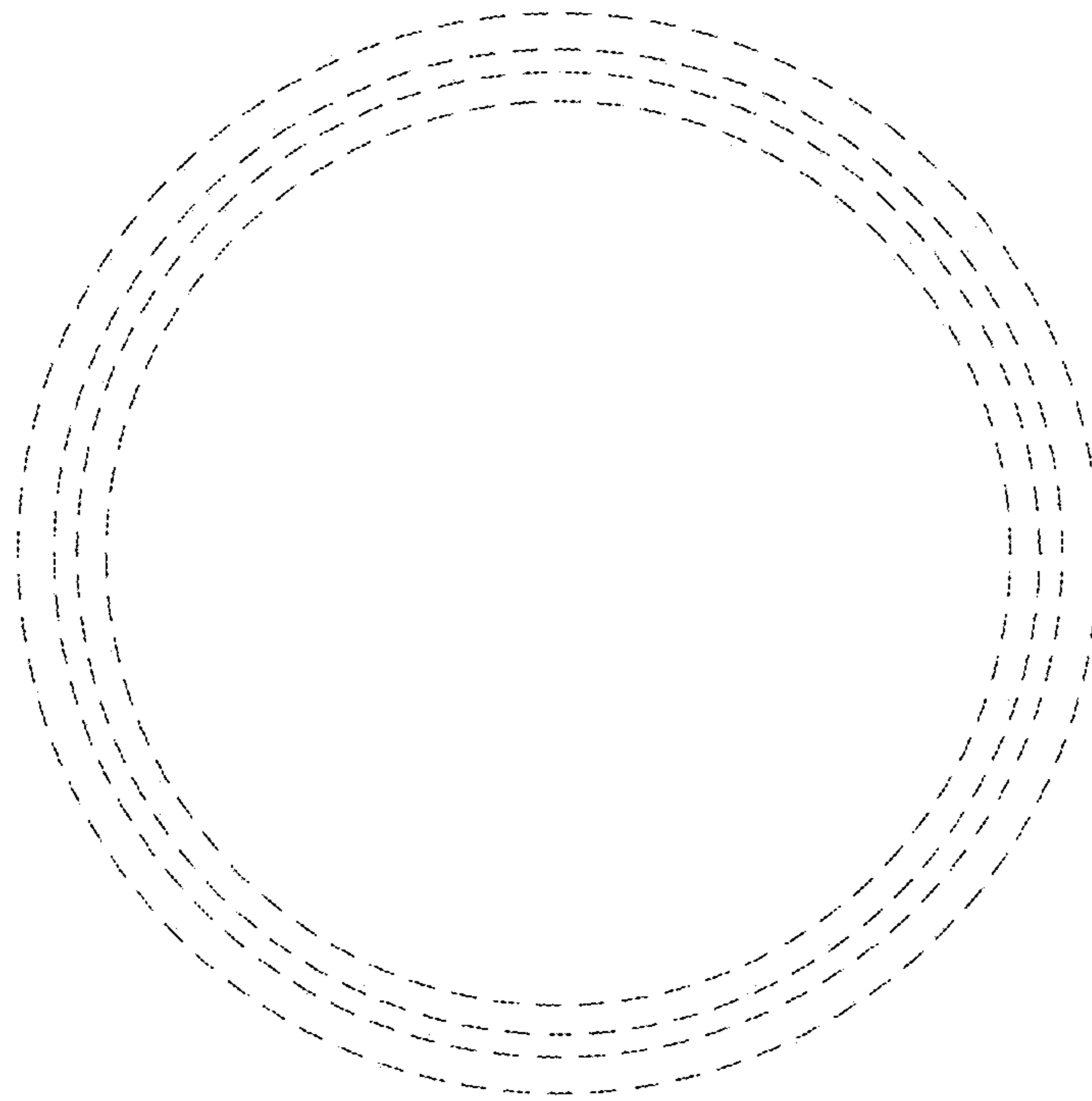


FIG. 4

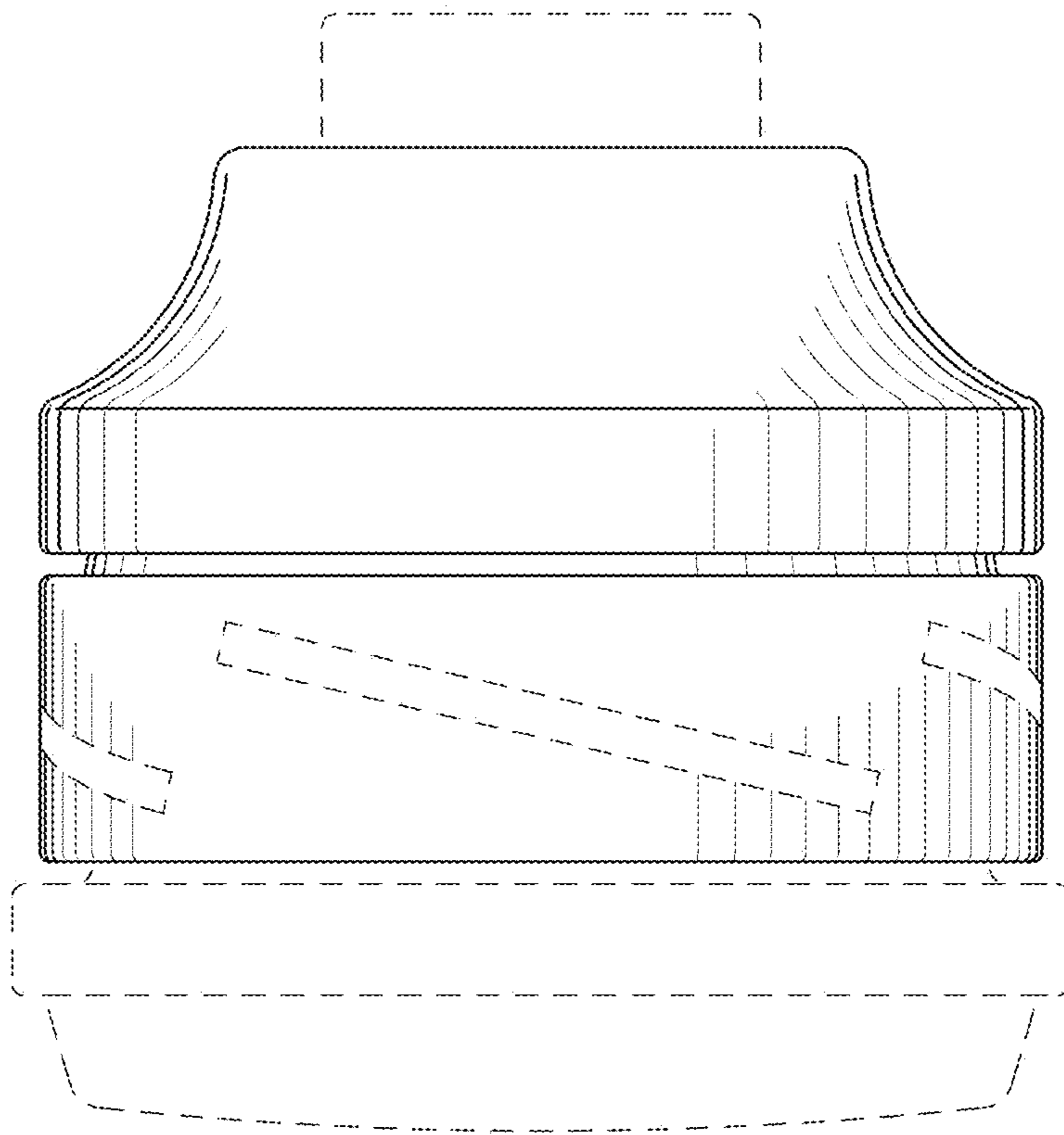


FIG. 5