



US00D970715S

(12) **United States Design Patent**
Zhang

(10) **Patent No.:** **US D970,715 S**

(45) **Date of Patent:** **** Nov. 22, 2022**

(54) **TOWER FAN**

D864,373 S * 10/2019 Lee D23/366
D931,997 S * 9/2021 Chu D23/378

(71) Applicant: **Huayong Zhang**, Hunan Province (CN)

* cited by examiner

(72) Inventor: **Huayong Zhang**, Hunan Province (CN)

Primary Examiner — Sharon S Oum

(**) Term: **15 Years**

(57) **CLAIM**

(21) Appl. No.: **29/809,588**

The ornamental design for a tower fan, as shown and described.

(22) Filed: **Sep. 29, 2021**

DESCRIPTION

(30) **Foreign Application Priority Data**

Sep. 15, 2021 (CN) 202130611280.0

(51) **LOC (13) Cl.** **23-04**

(52) **U.S. Cl.**
USPC **D23/378**

(58) **Field of Classification Search**
USPC D23/328, 332–337, 351–352, 355–356,
D23/364, 370–376, 378–383, 411–412
CPC F04D 25/08; F04D 17/04; F04D 25/10
See application file for complete search history.

FIG. 1 is a front and top perspective view of a tower fan, showing my new design;
FIG. 2 is a rear and bottom perspective view thereof;
FIG. 3 is a front elevation view thereof;
FIG. 4 is a rear elevation view thereof;
FIG. 5 is a left side elevation view thereof;
FIG. 6 is a right side elevation view thereof;
FIG. 7 is a top plan view thereof;
FIG. 8 is a bottom plan view thereof;
FIG. 9 is an enlarged view of a portion indicated with numeric 9 in FIG. 1;
FIG. 10 is an enlarged view of a portion indicated with numeric 10 in FIG. 2; and,
FIG. 11 is an enlarged view of a portion indicated with numeric 11 in FIG. 7.

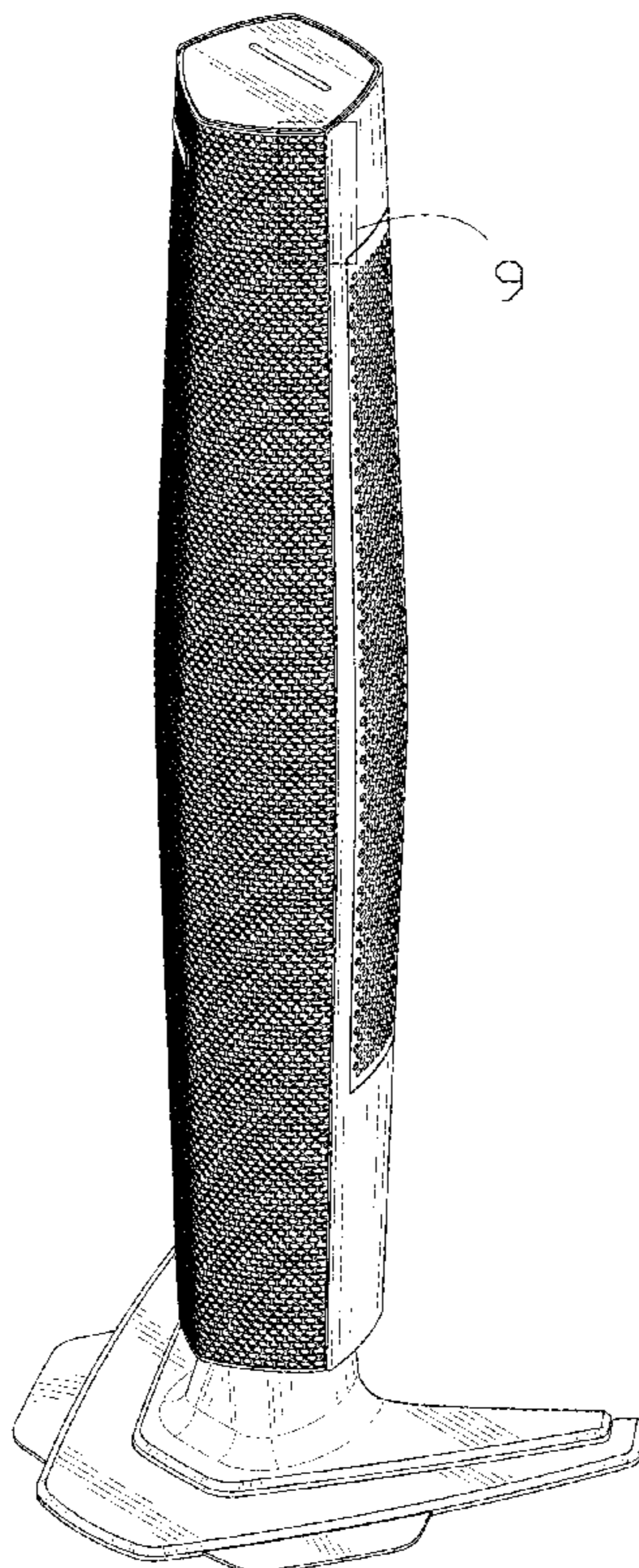
(56) **References Cited**

U.S. PATENT DOCUMENTS

D417,492 S * 12/1999 Willey D23/339
D424,681 S * 5/2000 Lozzio D23/382
D539,893 S * 4/2007 Badick D23/371
D704,320 S * 5/2014 Li D23/333
D809,119 S 1/2018 Ho
D858,736 S * 9/2019 Lewis D23/378

The broken lines in the figures illustrate portions of the tower fan that form no part of the claimed design. The dash dot dash lines in FIGS. 1, 2, 7, 9, 10 and 11 are for the purpose of depicting the boundary lines of the enlarged views and form no part of the claimed design.

1 Claim, 11 Drawing Sheets



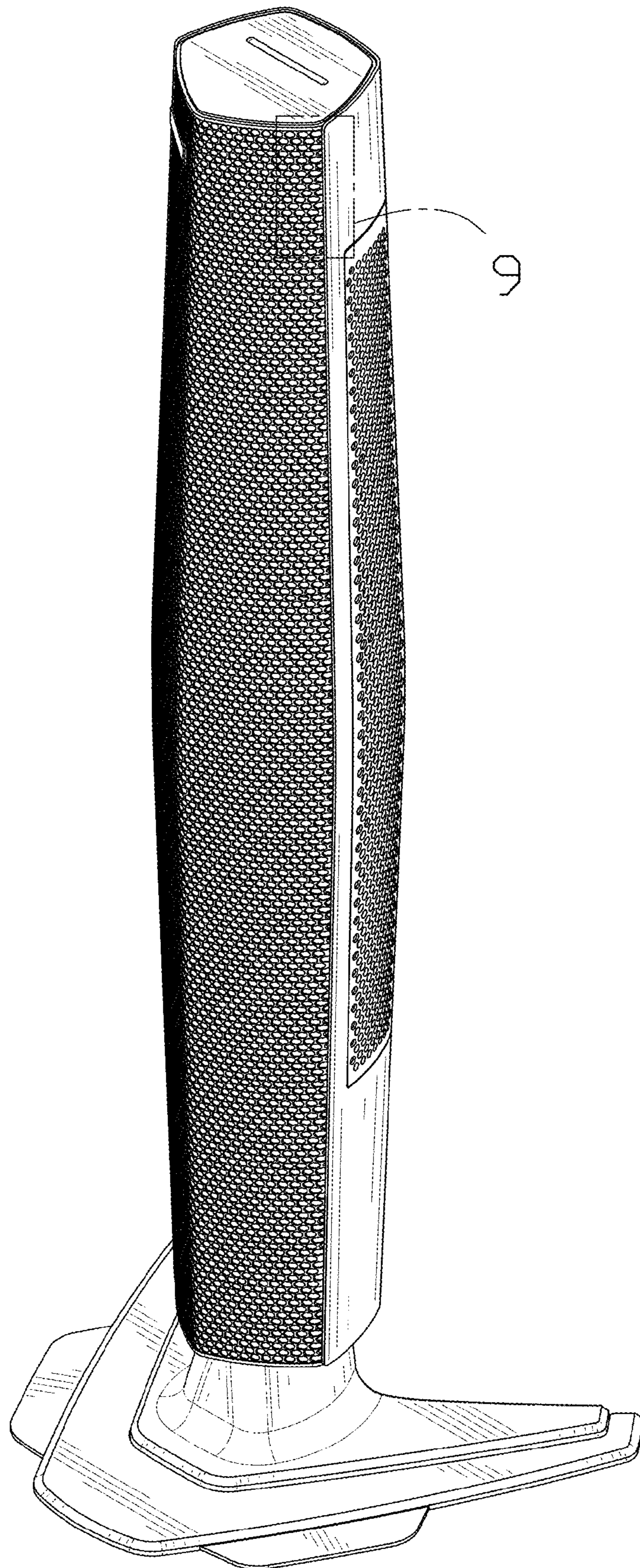


FIG. 1

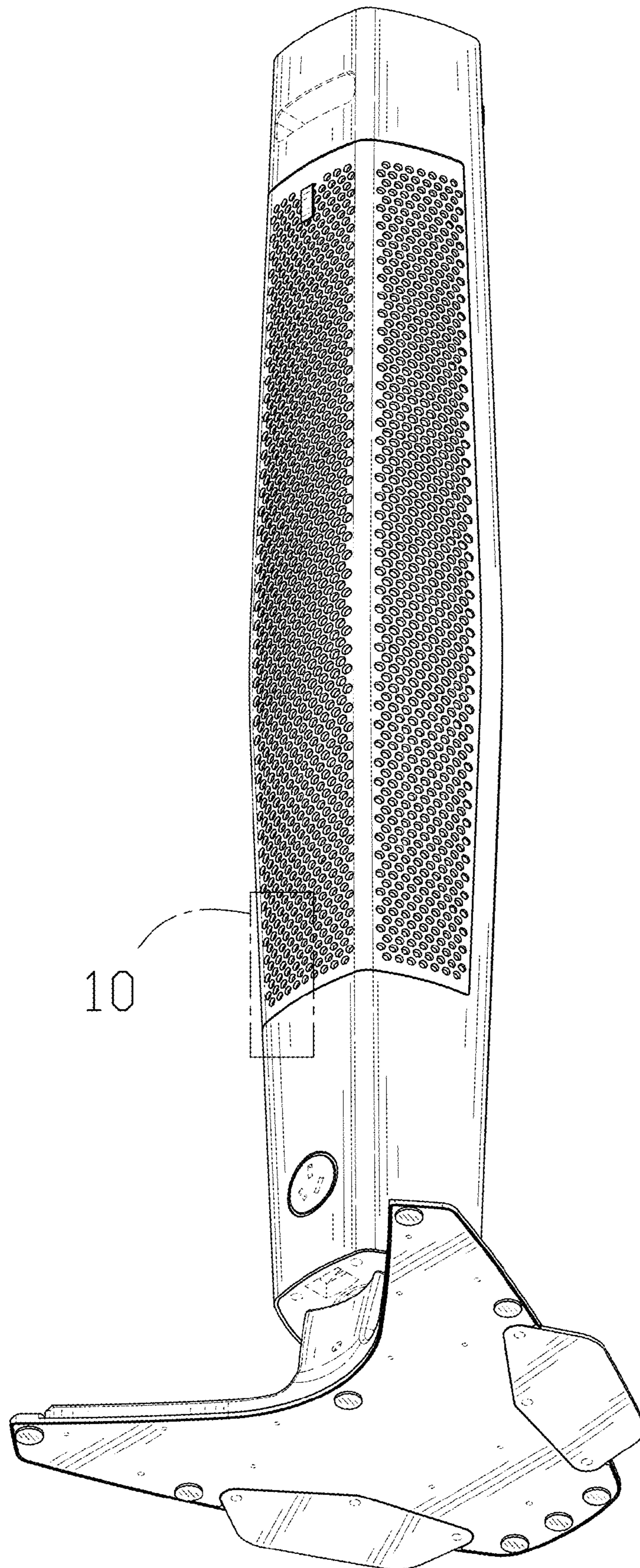


FIG. 2

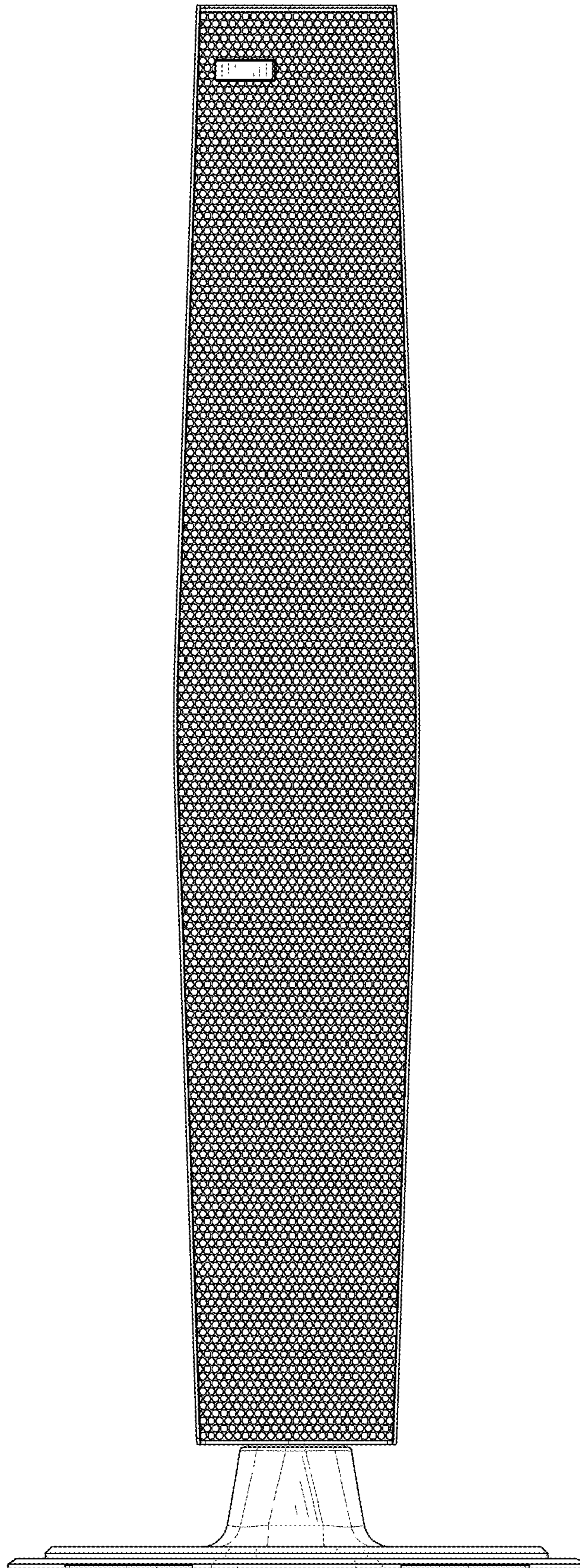


FIG. 3

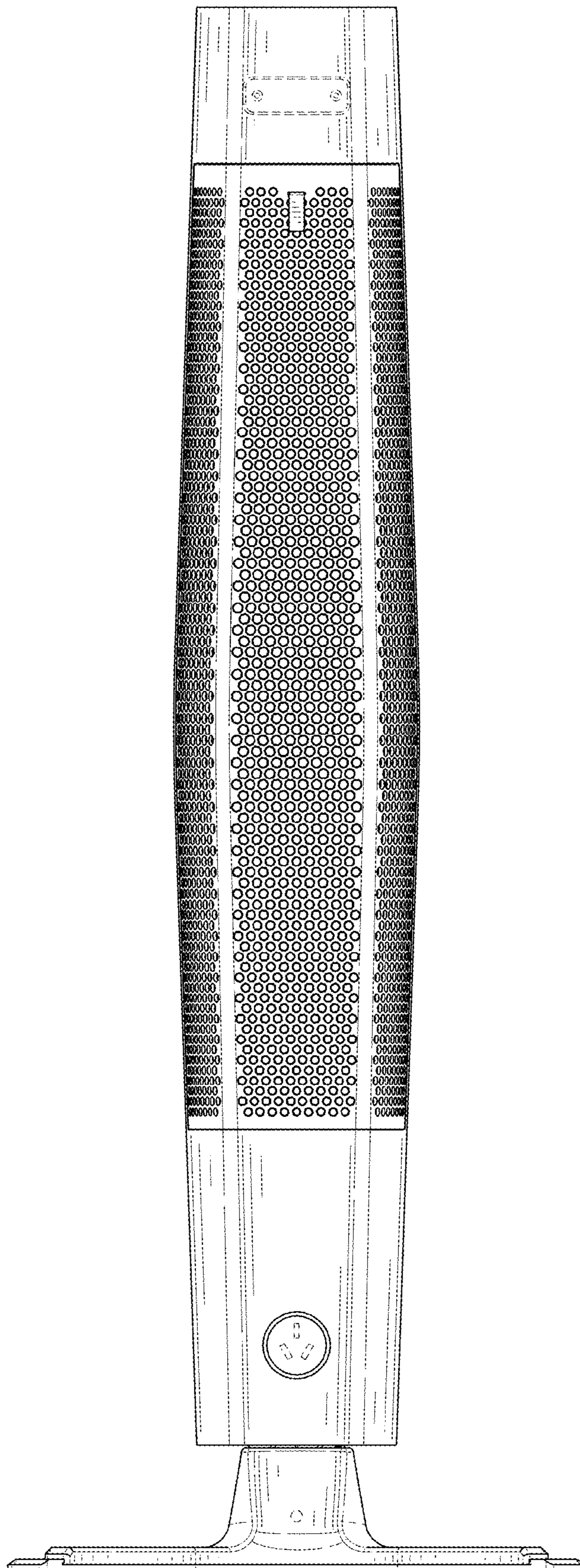


FIG. 4

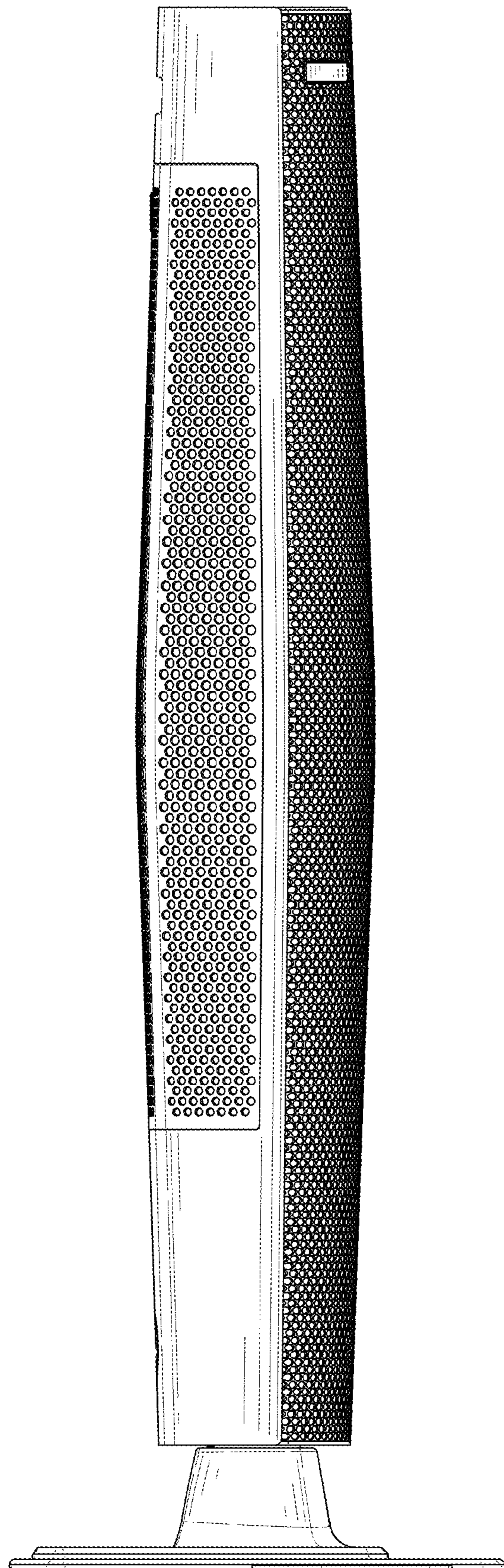


FIG. 5

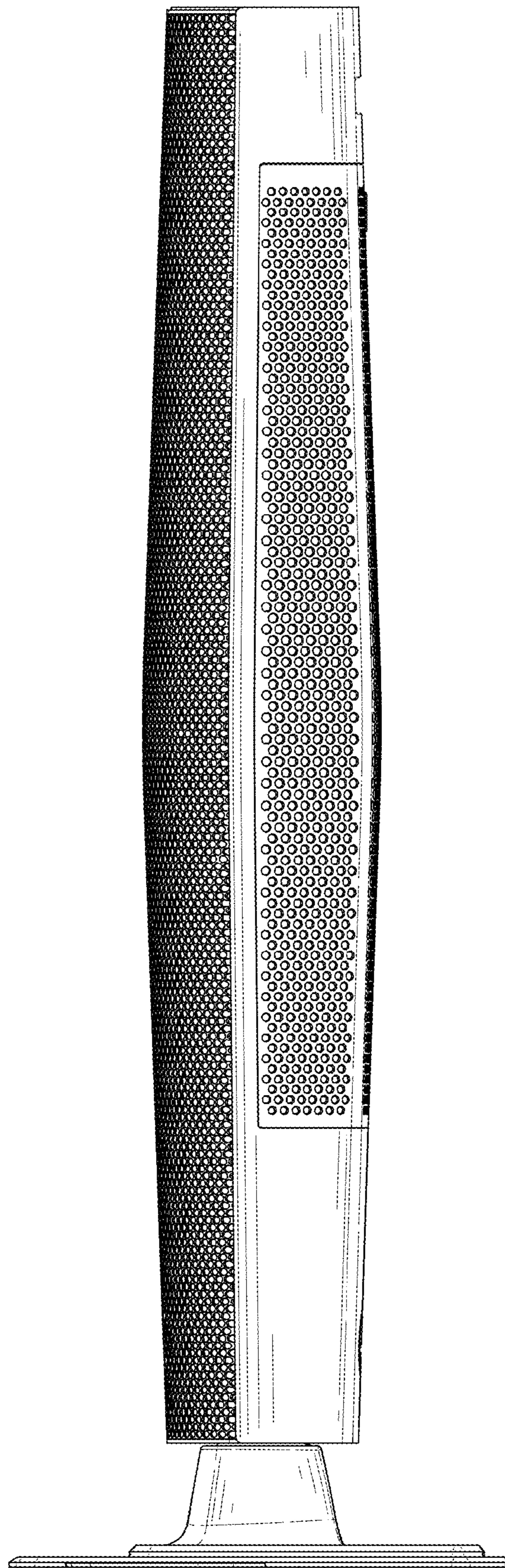


FIG. 6

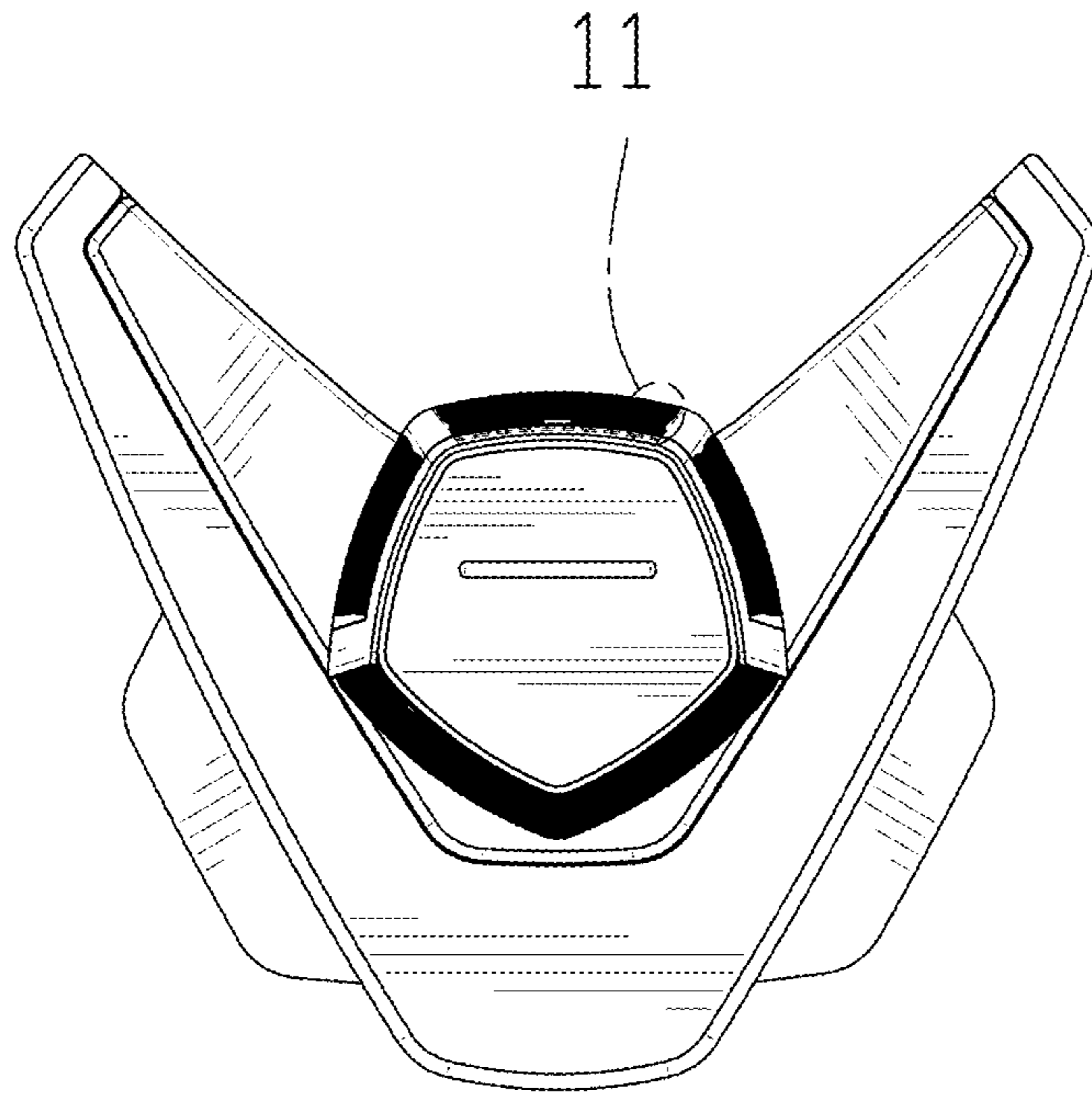


FIG. 7

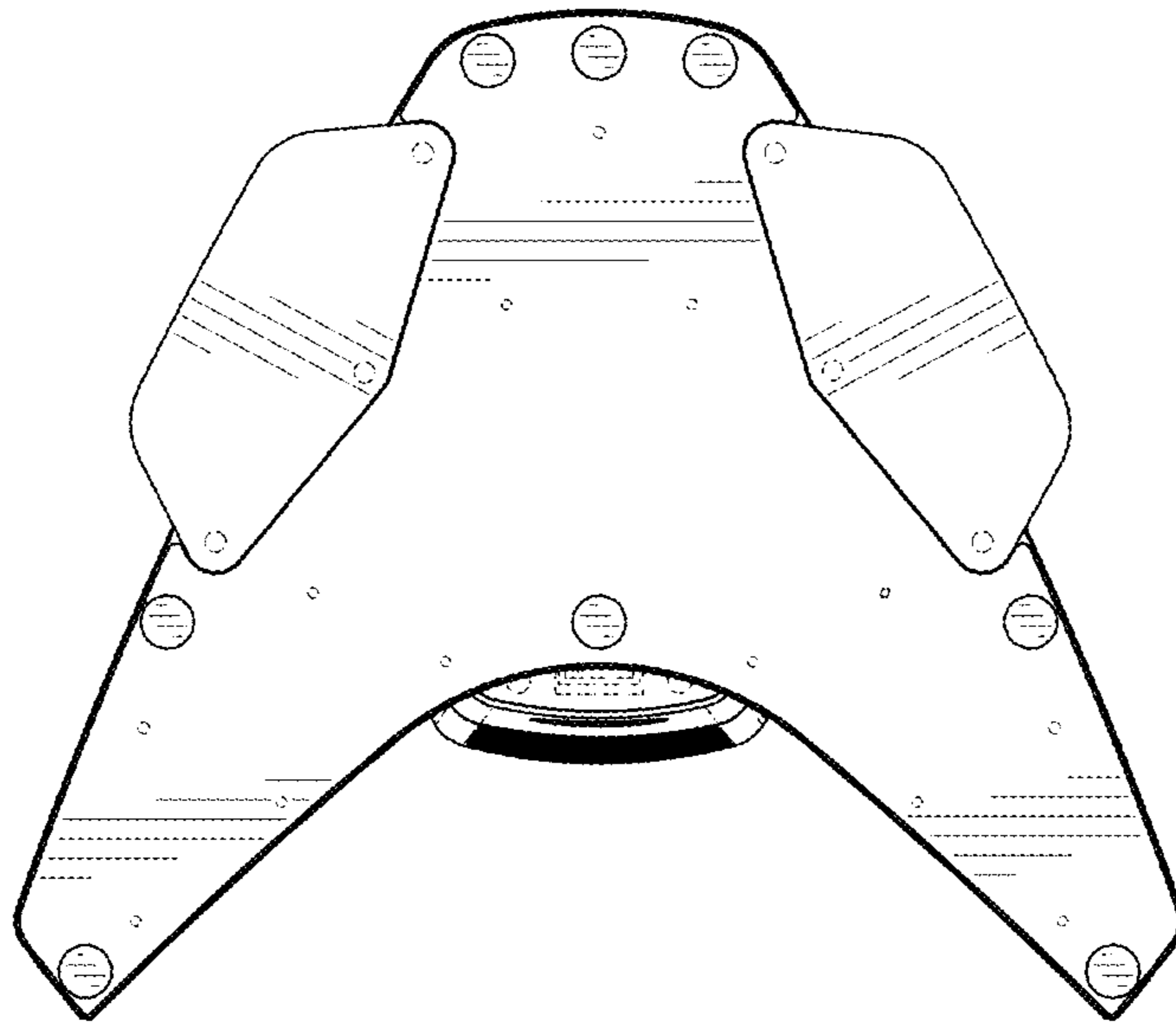


FIG. 8

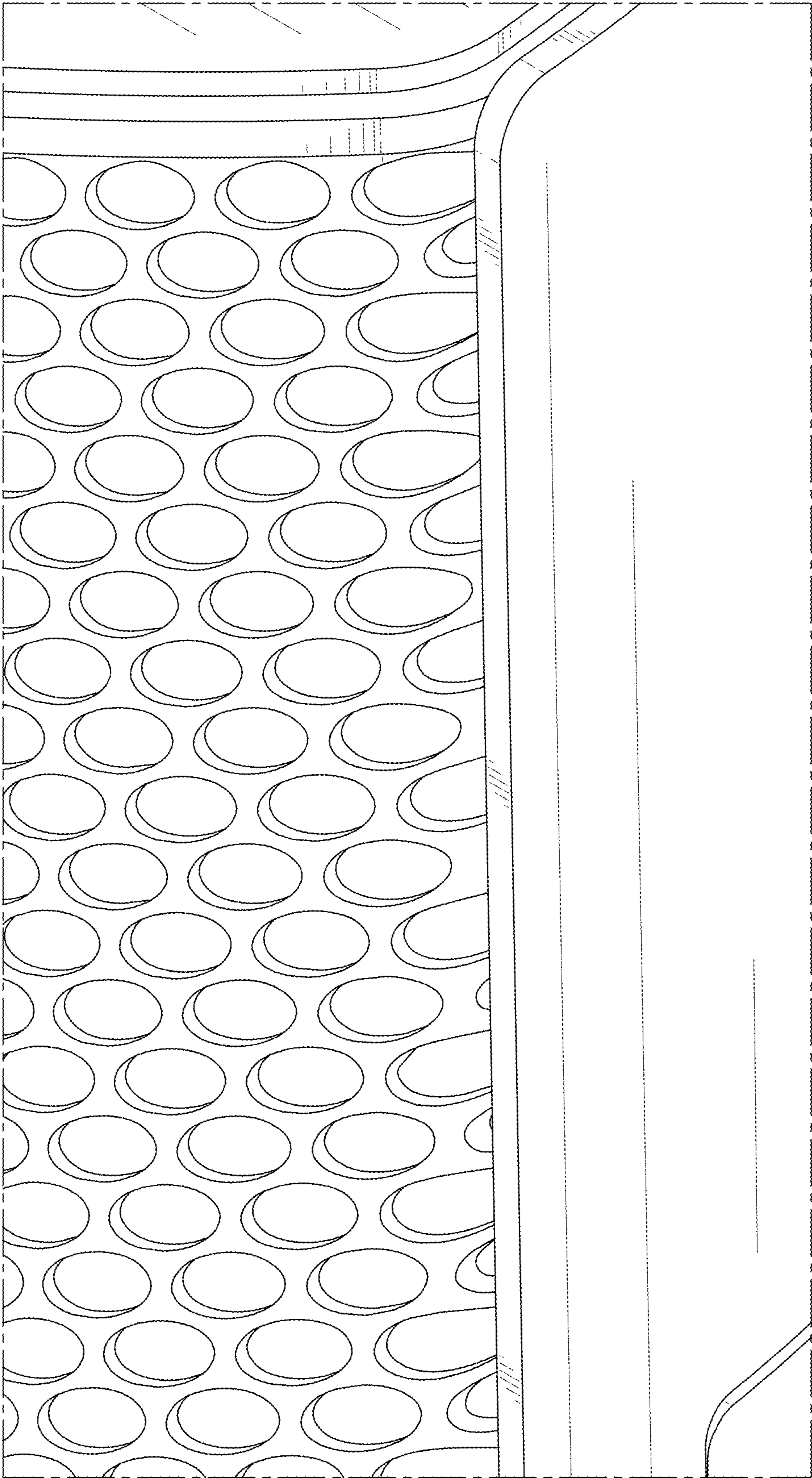


FIG. 9

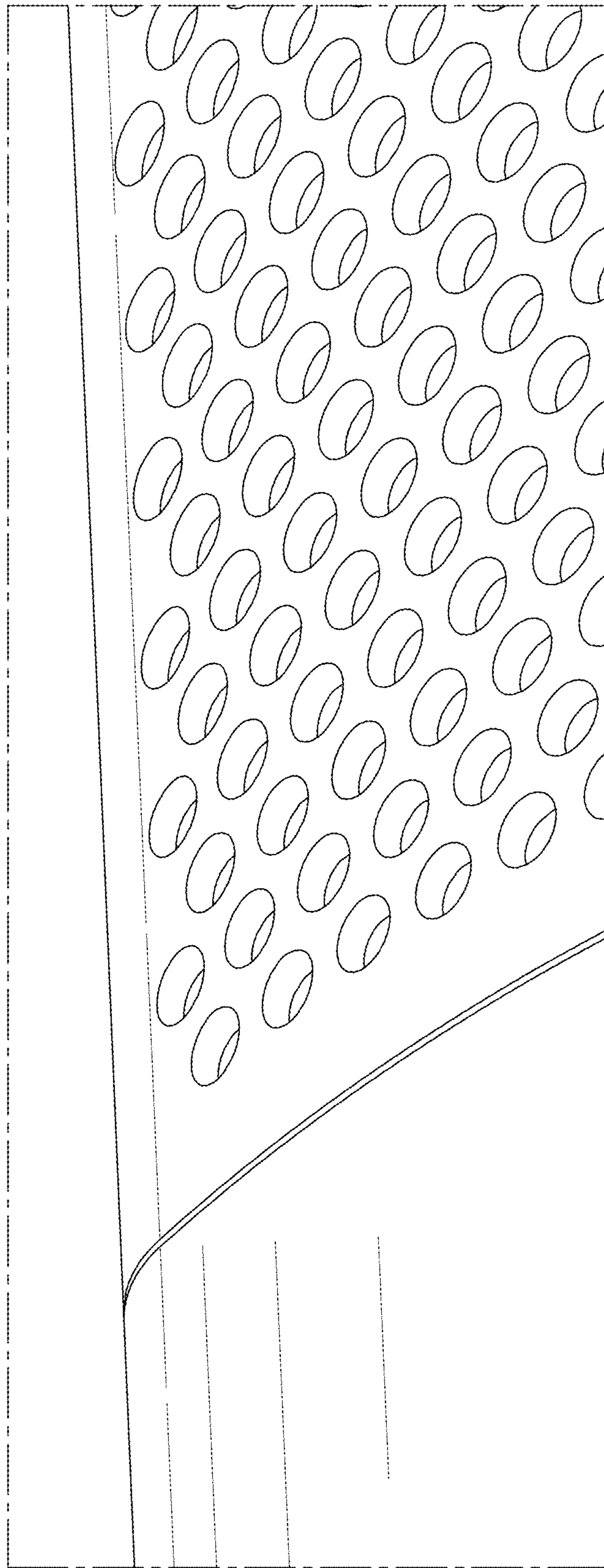


FIG. 10

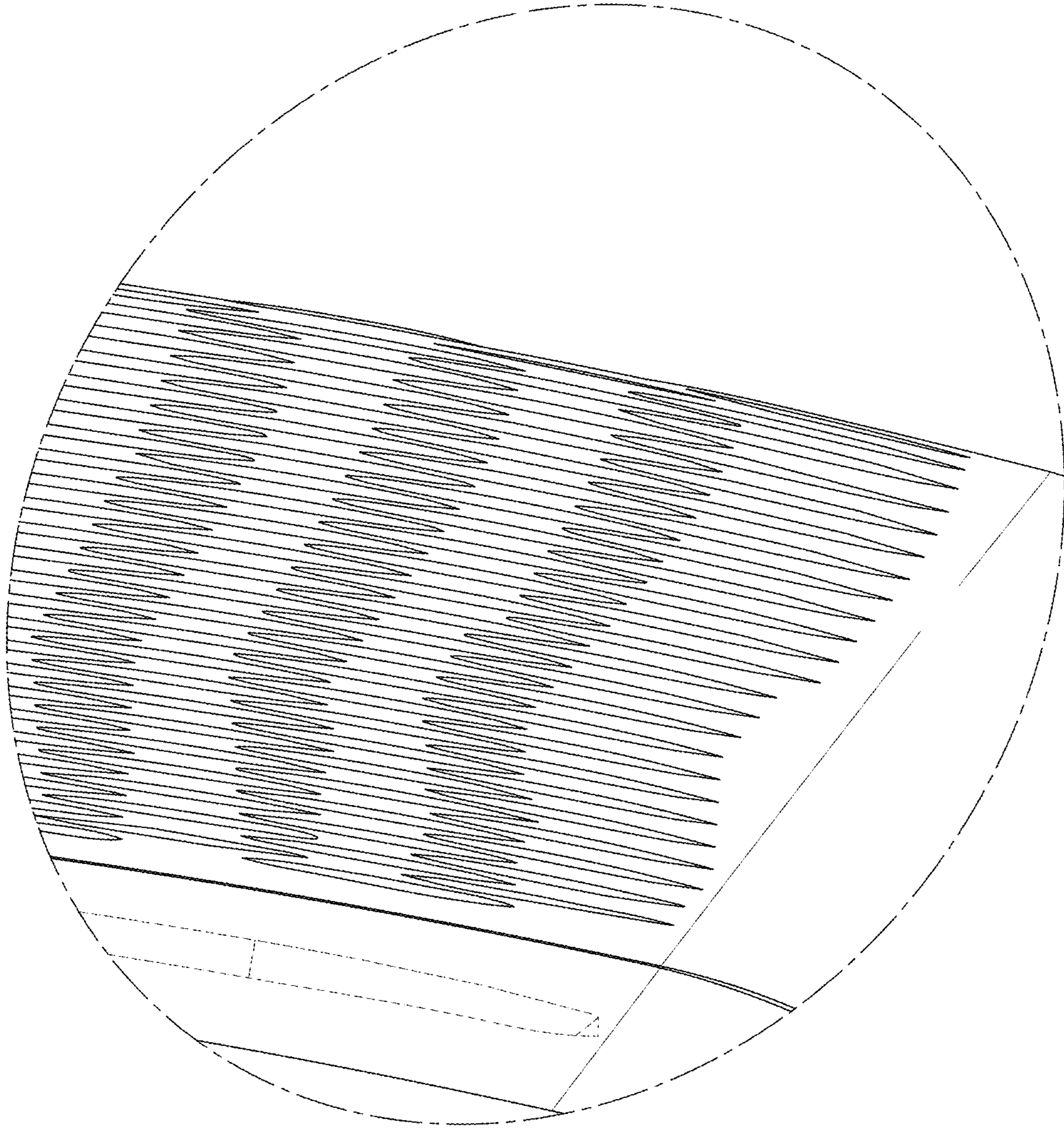


FIG. 11