



US00D970714S

(12) **United States Design Patent**  
**Zhang**

(10) **Patent No.:** **US D970,714 S**

(45) **Date of Patent:** **\*\* Nov. 22, 2022**

(54) **TOWER FAN**

*Primary Examiner* — Sharon S Oum

(71) Applicant: **Huayong Zhang**, Hunan Province (CN)

(72) Inventor: **Huayong Zhang**, Hunan Province (CN)

(57) **CLAIM**

(\*\*) Term: **15 Years**

The ornamental design for a tower fan, as shown and described.

(21) Appl. No.: **29/809,587**

(22) Filed: **Sep. 29, 2021**

**DESCRIPTION**

(30) **Foreign Application Priority Data**

Sep. 15, 2021 (CN) ..... 202130611280.0

(51) **LOC (13) Cl.** ..... **23-04**

(52) **U.S. Cl.**  
USPC ..... **D23/378**

(58) **Field of Classification Search**  
USPC ..... D23/328, 332-337, 351-352, 355-356,  
D23/364, 370-376, 378-383, 411-412  
CPC ..... F04D 25/08; F04D 17/04; F04D 25/10  
See application file for complete search history.

FIG. 1 is a front and top perspective view of a tower fan, showing my new design;  
FIG. 2 is a rear and top perspective view thereof;  
FIG. 3 is a front elevation view thereof;  
FIG. 4 is a rear elevation view thereof;  
FIG. 5 is a left side elevation view thereof;  
FIG. 6 is a right side elevation view thereof;  
FIG. 7 is a top plan view thereof;  
FIG. 8 is a bottom plan view thereof;  
FIG. 9 is an enlarged view of a portion indicated with numeric 9 in FIG. 1;  
FIG. 10 is an enlarged view of a portion indicated with numeric 10 in FIG. 1;  
FIG. 11 is an enlarged view of a portion indicated with numeric 11 in FIG. 2; and,  
FIG. 12 is an enlarged view of a portion indicated with numeric 12 in FIG. 7.

(56) **References Cited**

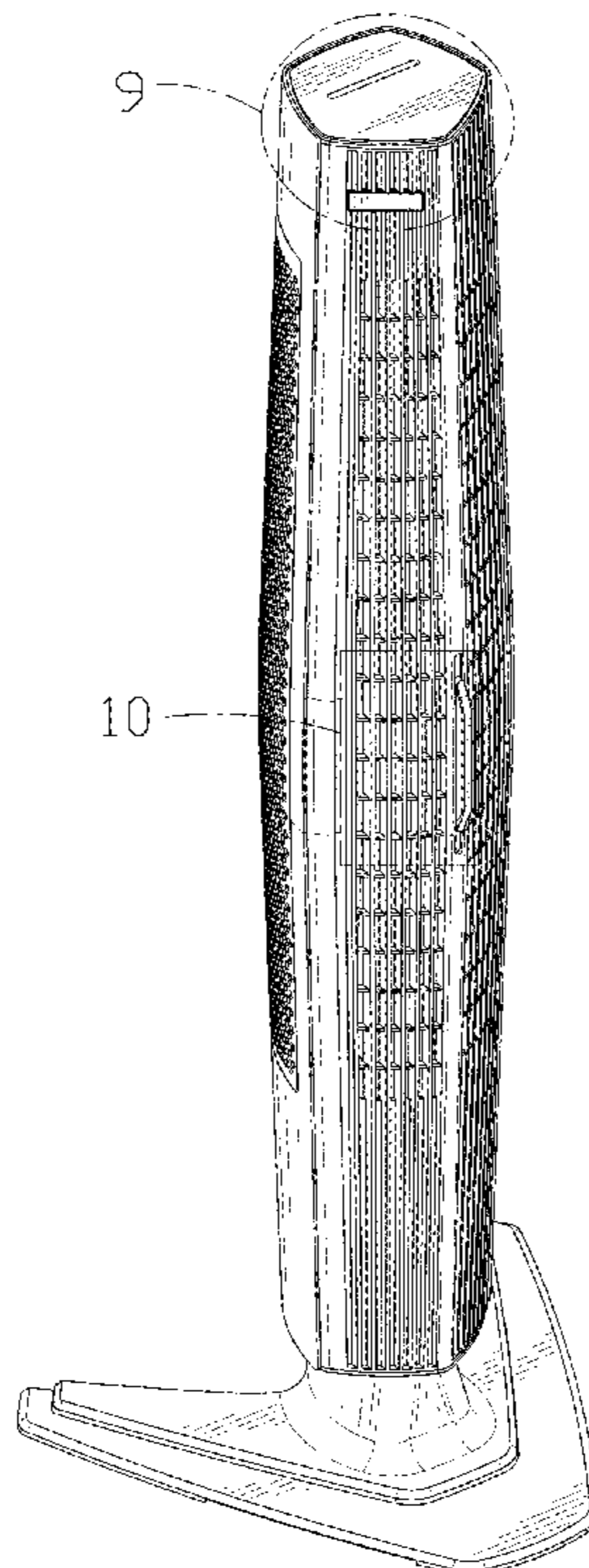
**U.S. PATENT DOCUMENTS**

D417,492 S	*	12/1999	Wiley	.....	D23/339
D424,681 S	*	5/2000	Lozzio	.....	D23/382
D539,893 S	*	4/2007	Badick	.....	D23/371
D704,320 S	*	5/2014	Li	.....	D23/333
D809,119 S		1/2018	Ho		
D858,736 S	*	9/2019	Lewis	.....	D23/378
D864,373 S	*	10/2019	Lee	.....	D23/366
D931,997 S	*	9/2021	Chu	.....	D23/378

The broken lines in the figures illustrate portions of the tower fan that form no part of the claimed design. The dash dot dash lines in FIGS. 1, 2, 7, 9, 10, 11 and 12 are for the purpose of depicting the boundary lines of the enlarged views and form no part of the claimed design.

\* cited by examiner

**1 Claim, 12 Drawing Sheets**



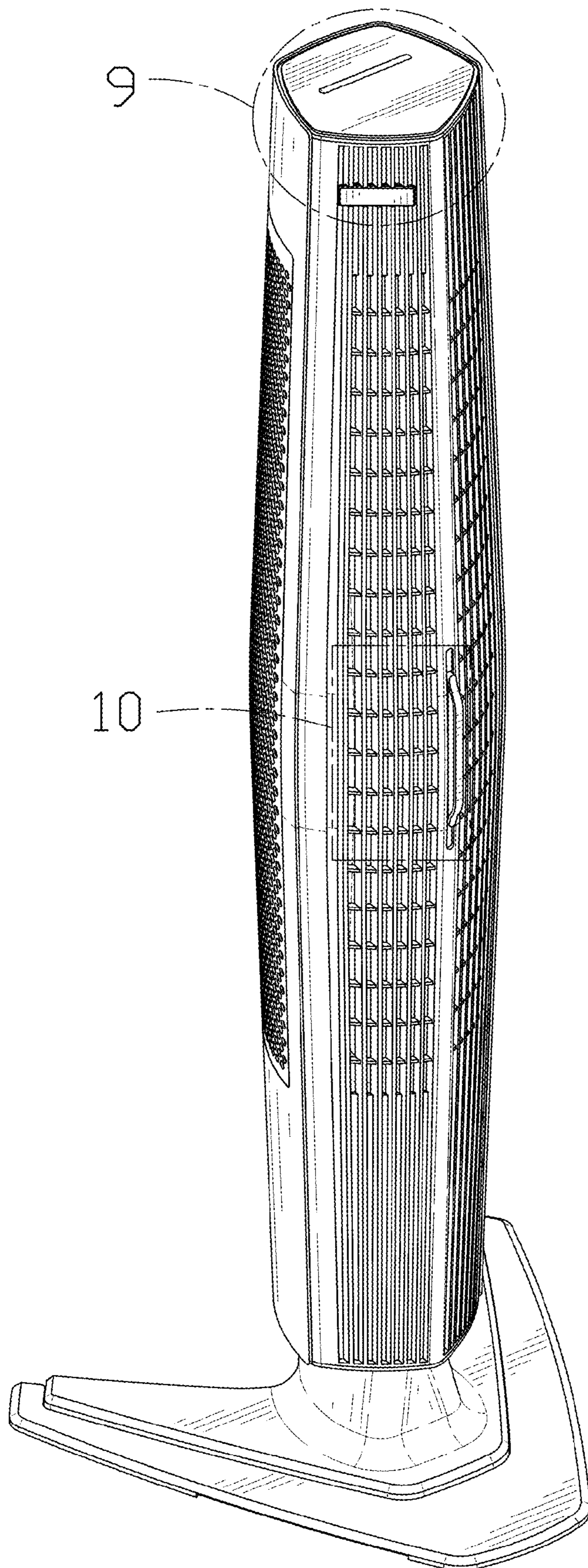


FIG. 1

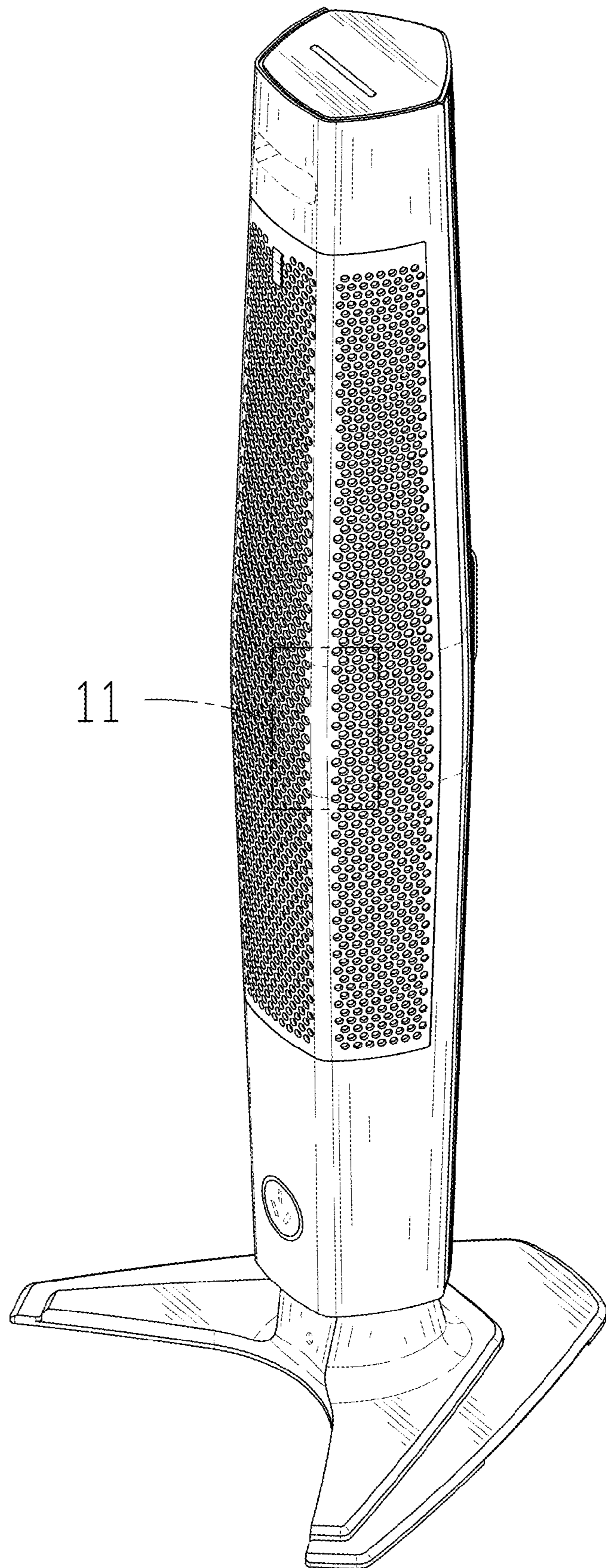


FIG. 2

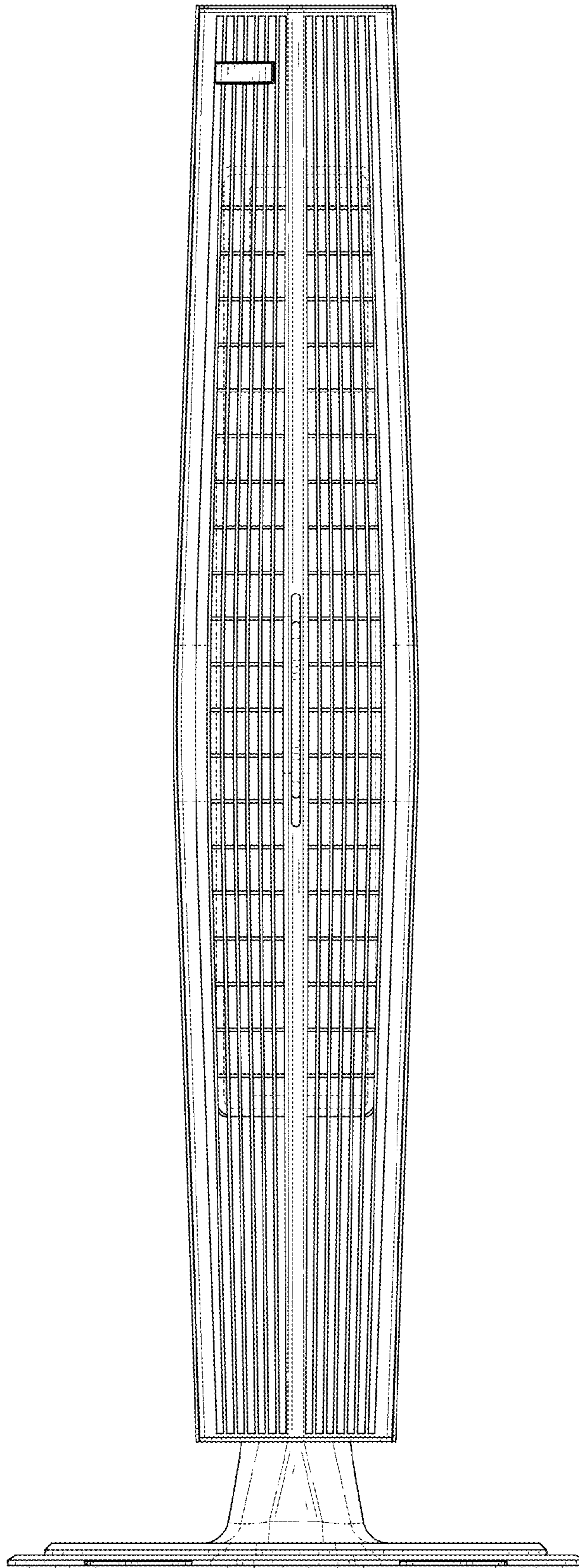


FIG. 3

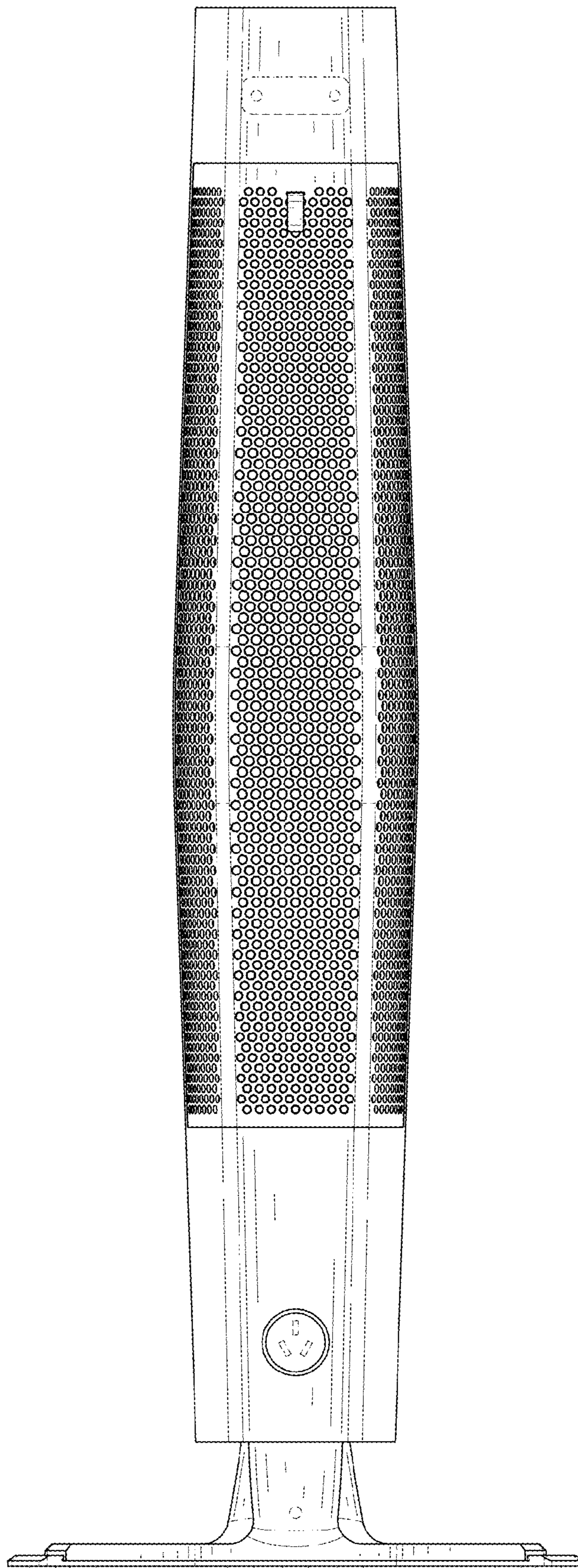


FIG. 4

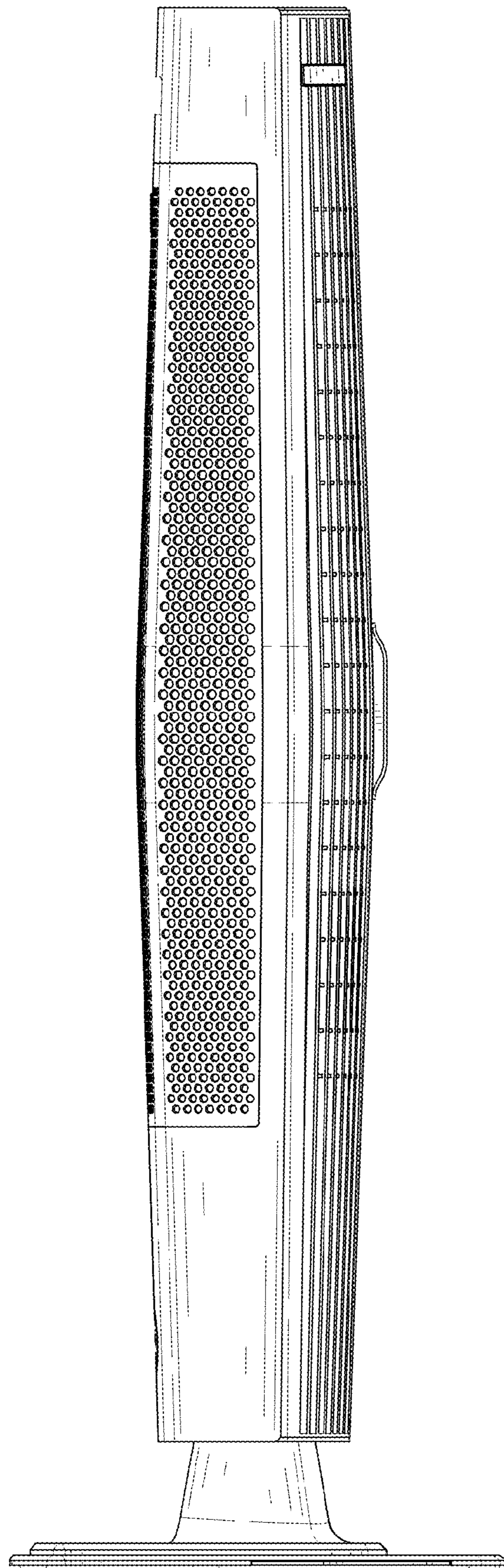


FIG. 5

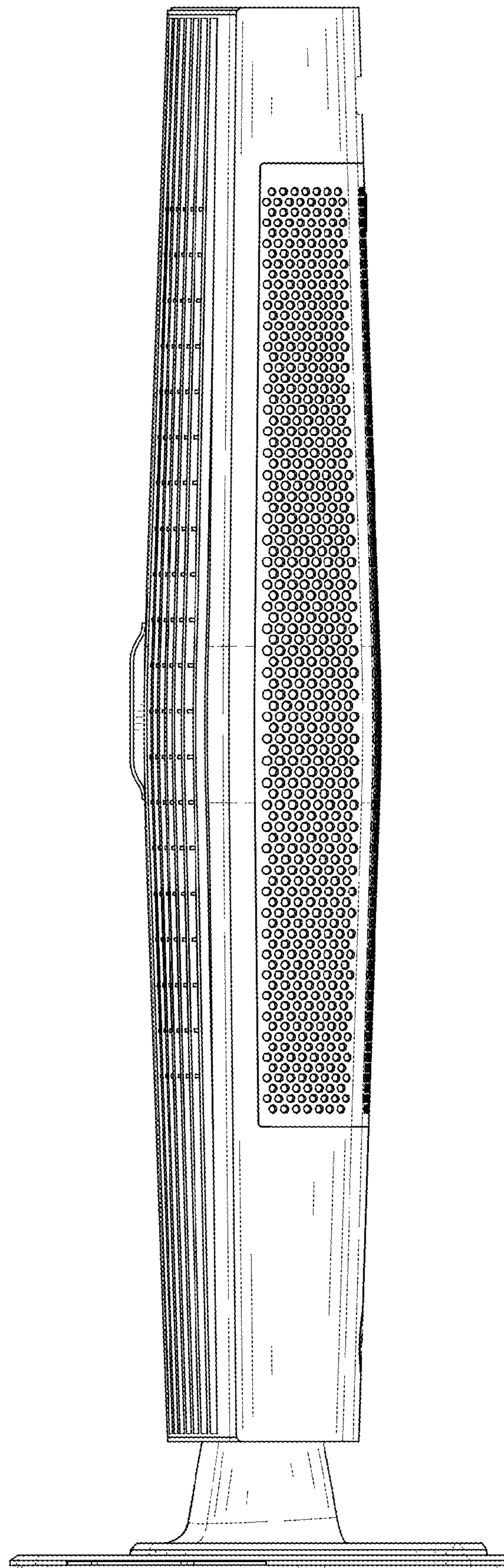


FIG. 6

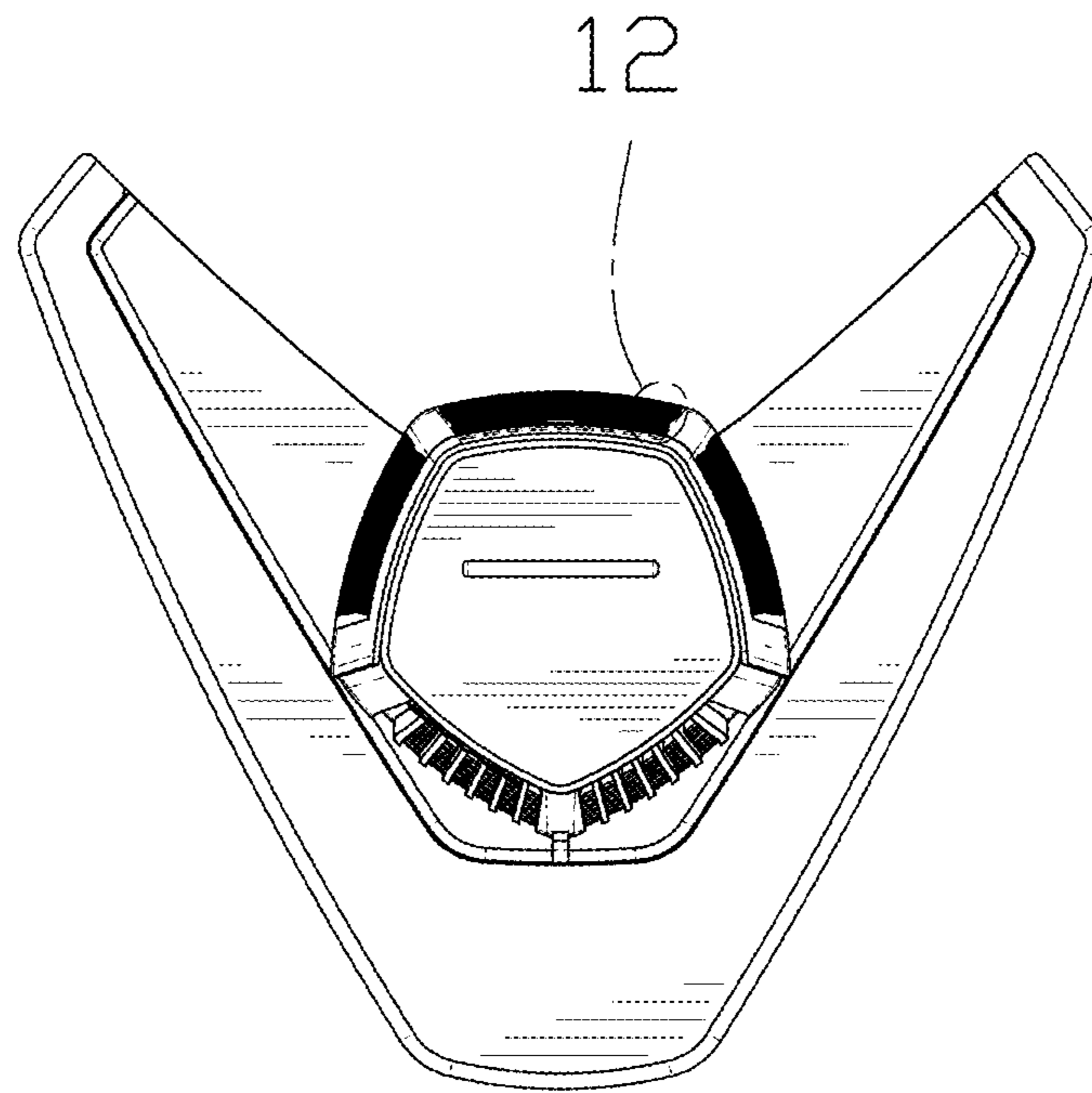


FIG. 7



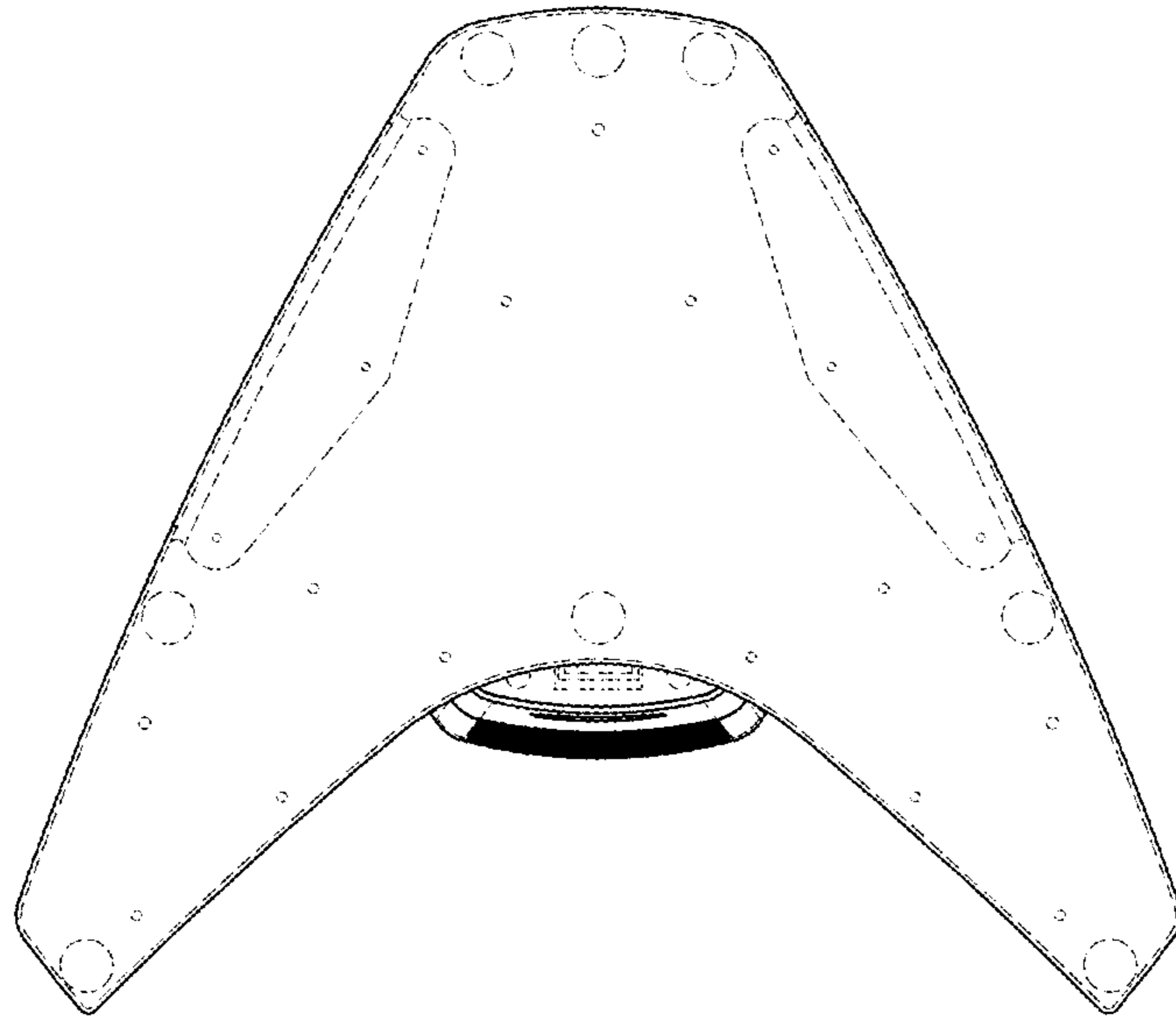


FIG. 8

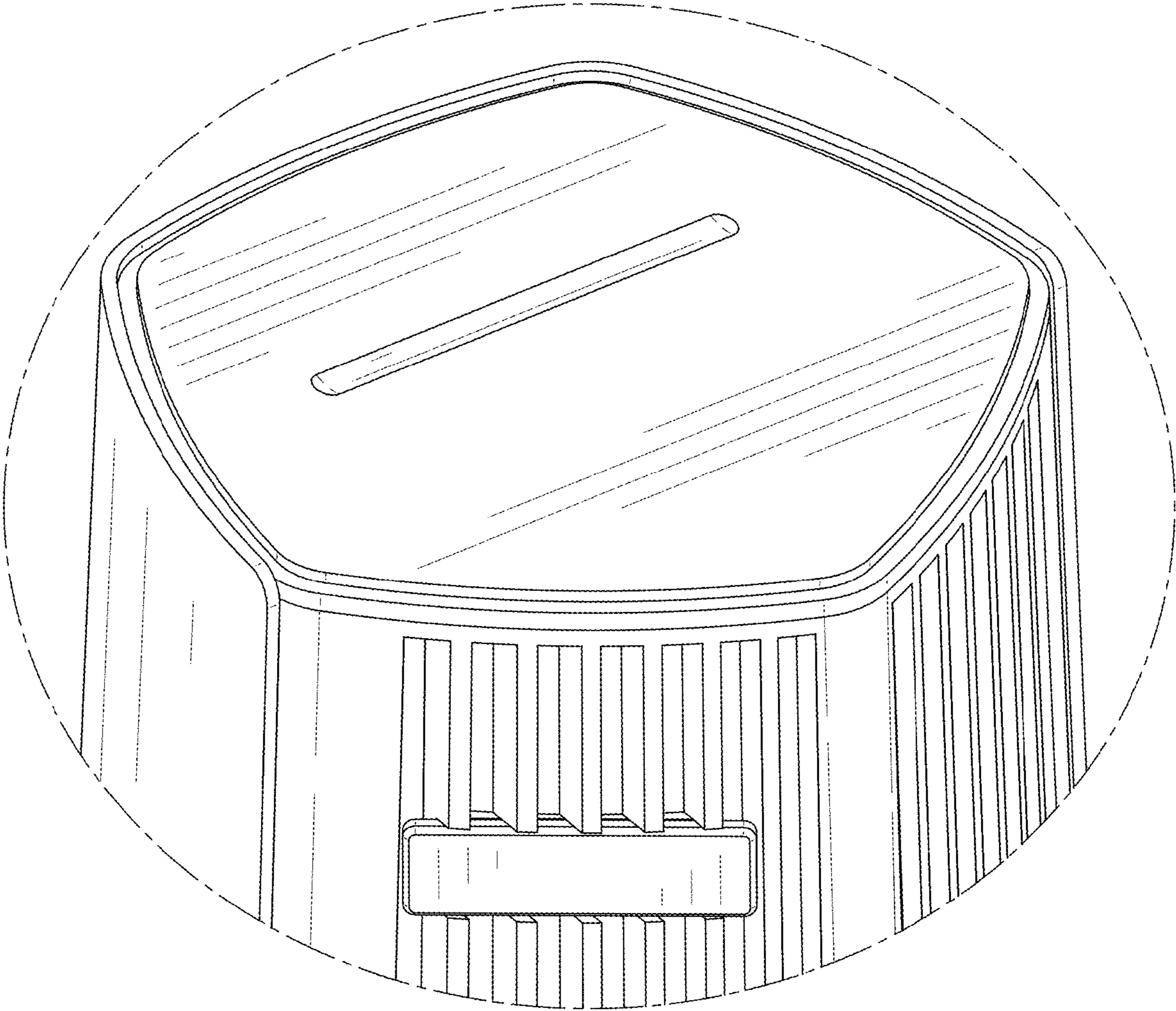


FIG. 9

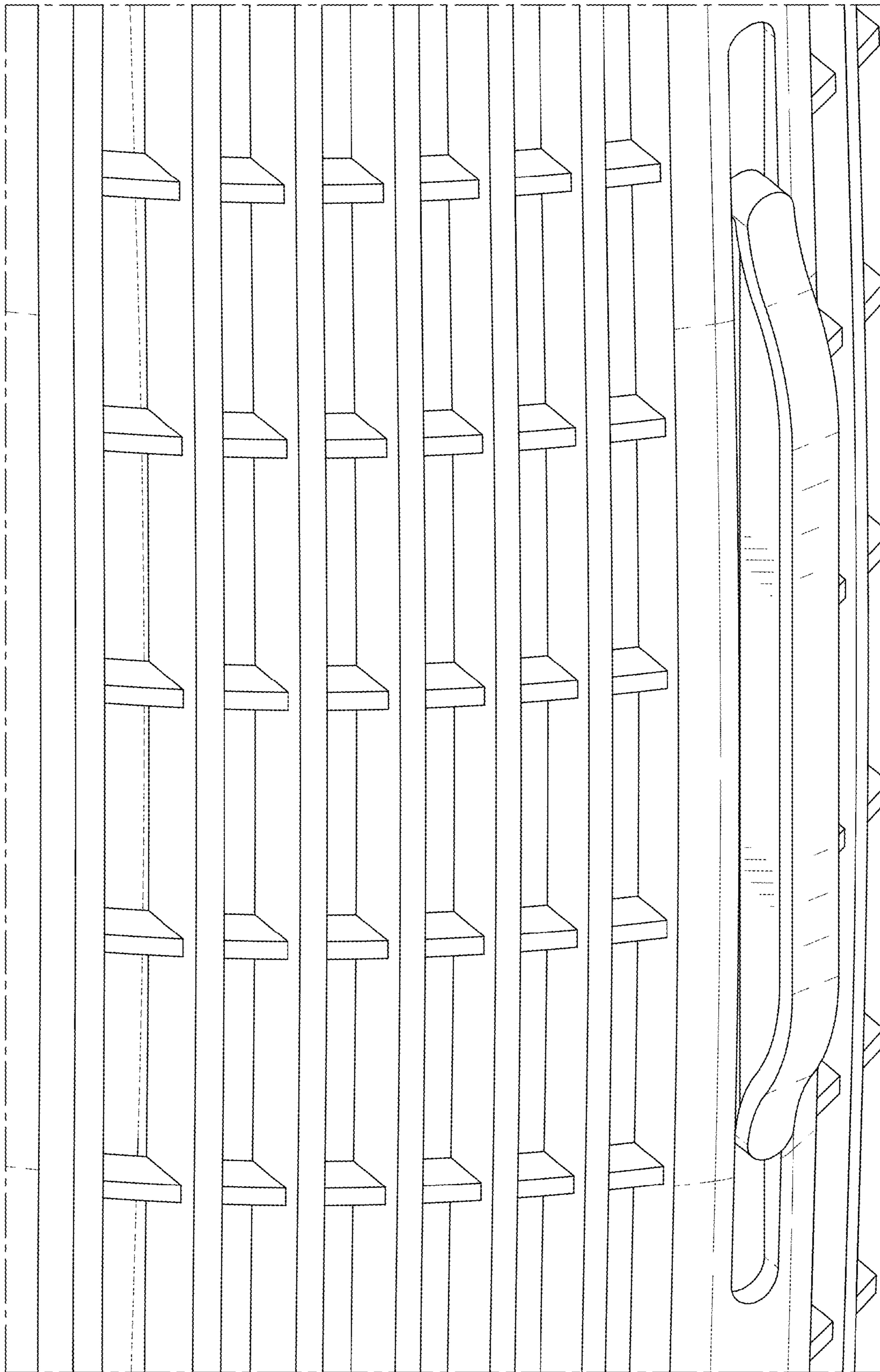


FIG. 10

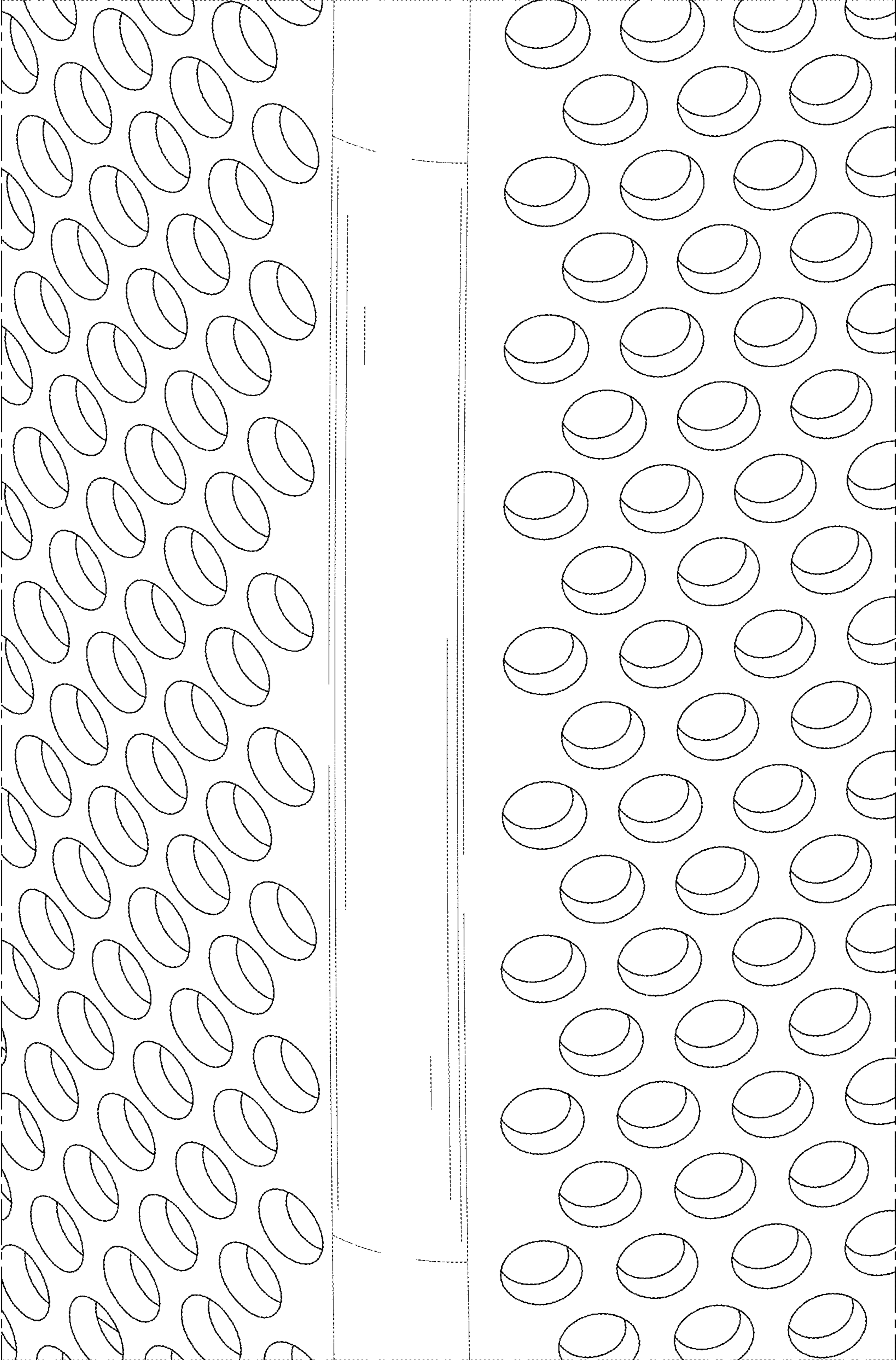


FIG. 11

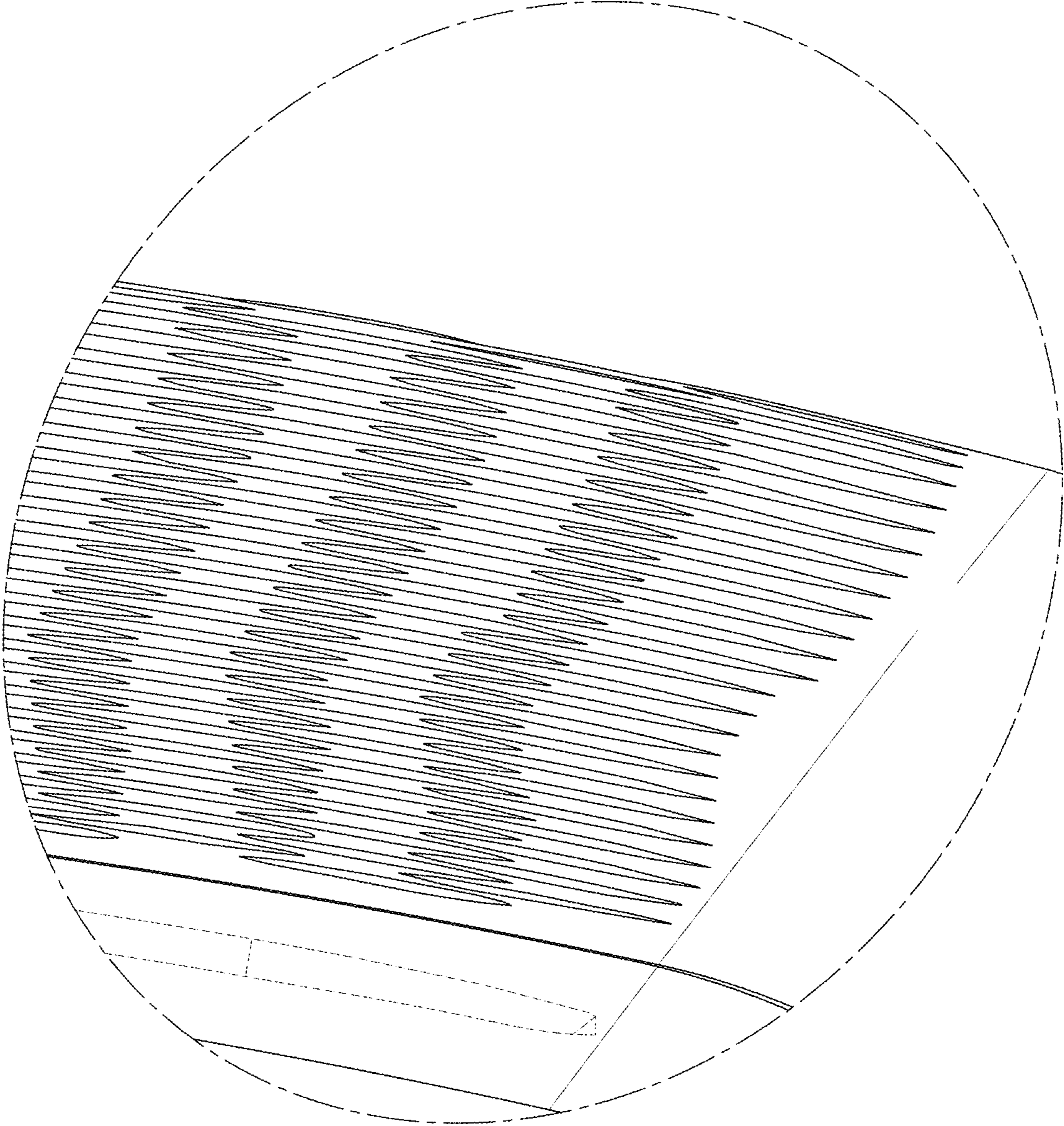


FIG. 12