



US00D970713S

(12) **United States Design Patent** (10) **Patent No.:** **US D970,713 S**
McRoberts (45) **Date of Patent:** **** Nov. 22, 2022**

- (54) **CEILING FAN**
- (71) Applicant: **HUNTER FAN COMPANY**,
Memphis, TN (US)
- (72) Inventor: **Claire Bernice McRoberts**, La Jolla,
CA (US)
- (73) Assignee: **Hunter Fan Company**, Memphis, TN
(US)
- (**) Term: **15 Years**
- (21) Appl. No.: **29/755,395**
- (22) Filed: **Oct. 20, 2020**
- (51) **LOC (13) Cl.** **23-04**
- (52) **U.S. Cl.**
USPC **D23/377**
- (58) **Field of Classification Search**
USPC D23/370, 377, 379, 385, 411-414;
D26/59
CPC F04D 25/088; F04D 29/38; F04D 29/384;
F04D 29/386; F21V 33/0096
See application file for complete search history.

(56) **References Cited**

U.S. PATENT DOCUMENTS

5,554,006	A *	9/1996	Liao	F04D 29/384 416/243
D451,189	S *	11/2001	Liu	D23/377
D535,421	S	1/2007	Pickett		
D567,421	S	4/2008	Pan		
D604,305	S	11/2009	Anzures et al.		
D627,048	S	11/2010	Shurtleff		
D709,175	S *	7/2014	Allen	D23/385
D715,420	S *	10/2014	Funston	D23/385
D751,187	S *	3/2016	Dolan	D26/59
D782,644	S *	3/2017	Wang	D23/377
D799,020	S *	10/2017	Guthrie	D26/59
D804,011	S	11/2017	Holmes et al.		

D825,787	S	8/2018	Su		
D827,806	S	9/2018	Biancuzzo		
D831,187	S *	10/2018	Schulzman	D26/59
D872,252	S *	1/2020	McRoberts	D23/377
D890,320	S *	7/2020	Holmes	D23/377
D935,594	S *	11/2021	McRoberts	D23/377
D936,813	S *	11/2021	McRoberts	D23/377
D938,007	S *	12/2021	Biancuzzo	D23/377
D938,569	S *	12/2021	Biancuzzo	D23/377
D941,452	S *	1/2022	O'Connell	D23/377
D942,607	S *	2/2022	Eiffert	D23/377
D943,728	S *	2/2022	McRoberts	D23/377
D946,741	S *	3/2022	Martell	D23/377
2020/0224671	A1 *	7/2020	Norwood	F04D 25/088
2021/0199131	A1 *	7/2021	Botkin	F04D 25/088

* cited by examiner

Primary Examiner — Sharon S Oum

(74) *Attorney, Agent, or Firm* — McGarry Bair PC

(57) **CLAIM**

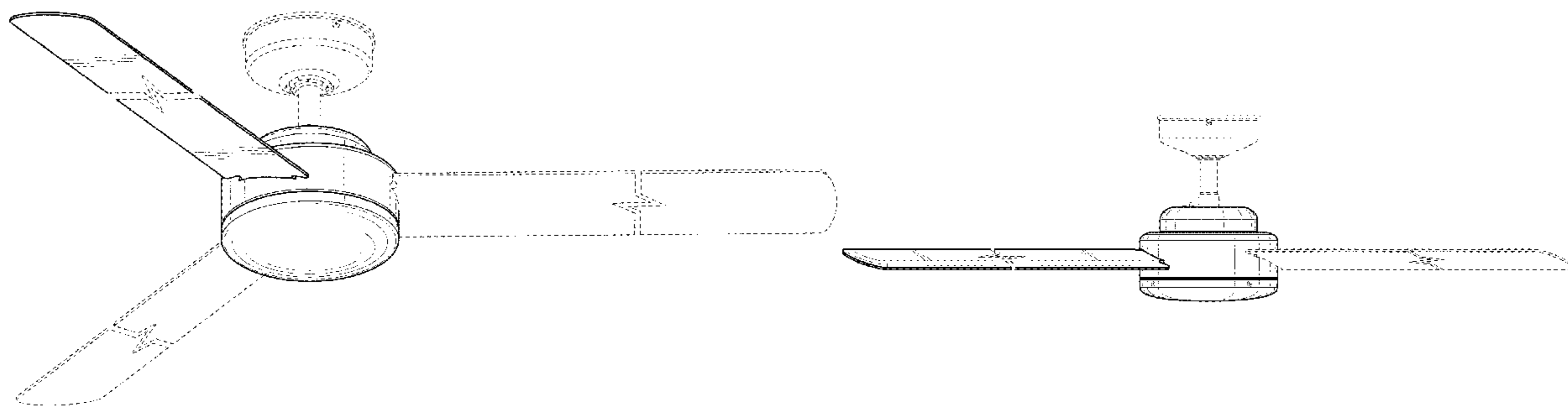
The ornamental design for a ceiling fan, as shown and described.

DESCRIPTION

FIG. 1 is a top perspective view of a ceiling fan, showing my new design;
 FIG. 2 is a bottom perspective view thereof;
 FIG. 3 is a top view thereof;
 FIG. 4 is a bottom view thereof;
 FIG. 5 is a front side view thereof;
 FIG. 6 is a rear side view thereof;
 FIG. 7 is a right side view thereof; and,
 FIG. 8 is a left side view thereof.

The broken lines illustrate portions of the ceiling fan that form no part of the claimed design. The ceiling fan blades are shown with a symbolic break in their length. The appearance of any portion of the ceiling fan blades between the break lines forms no part of the claimed design.

1 Claim, 8 Drawing Sheets



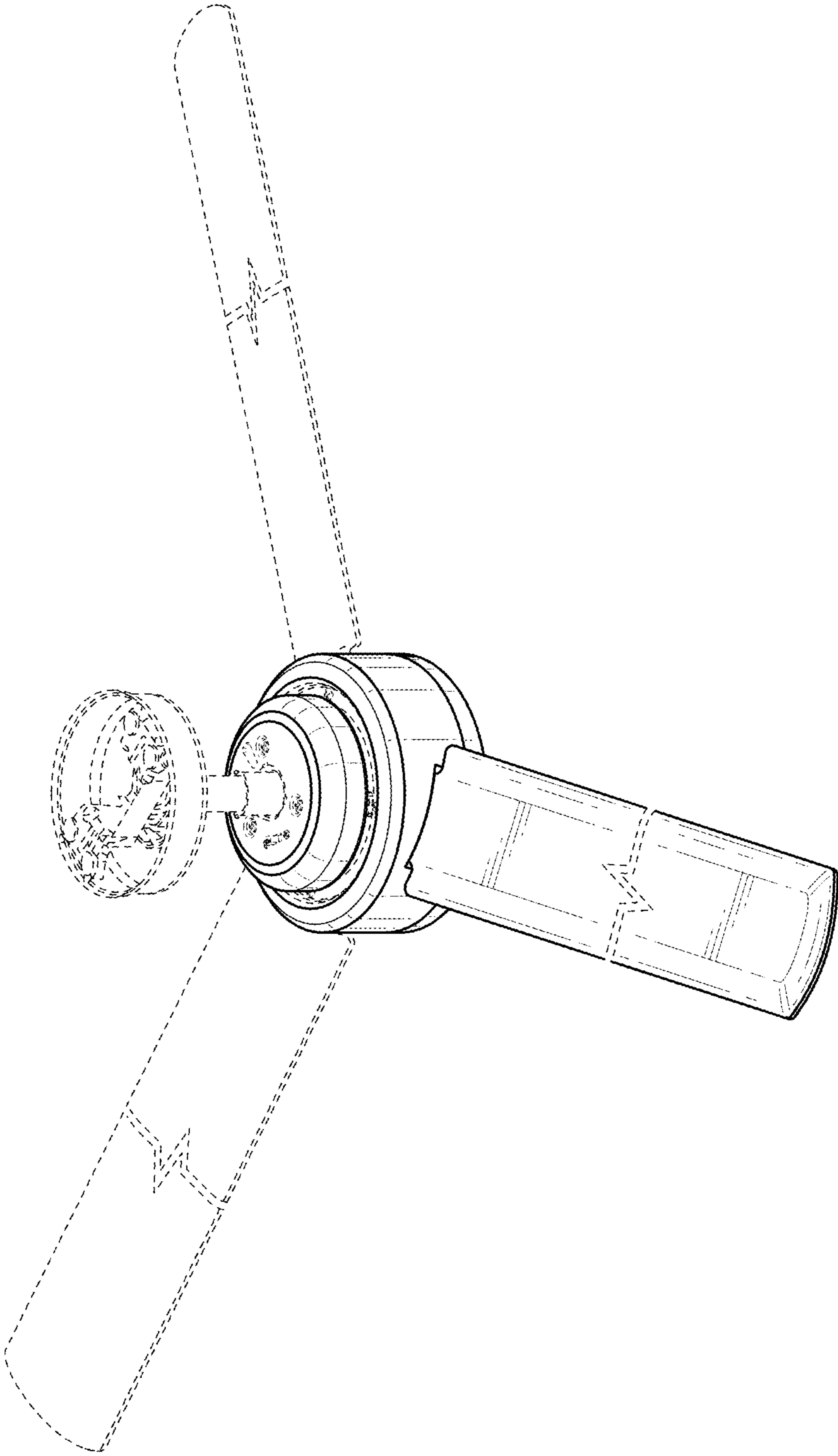


FIG. 1

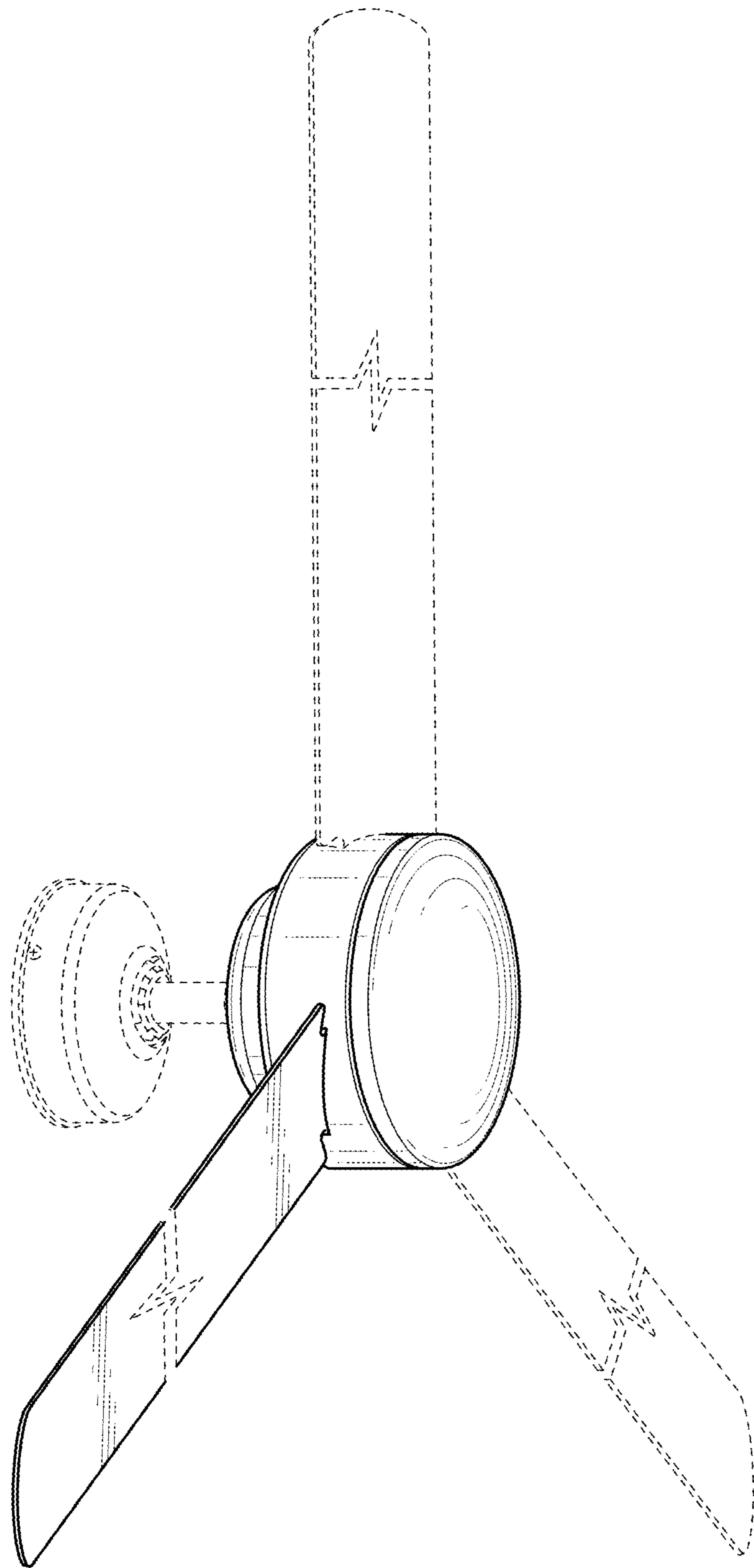


FIG. 2

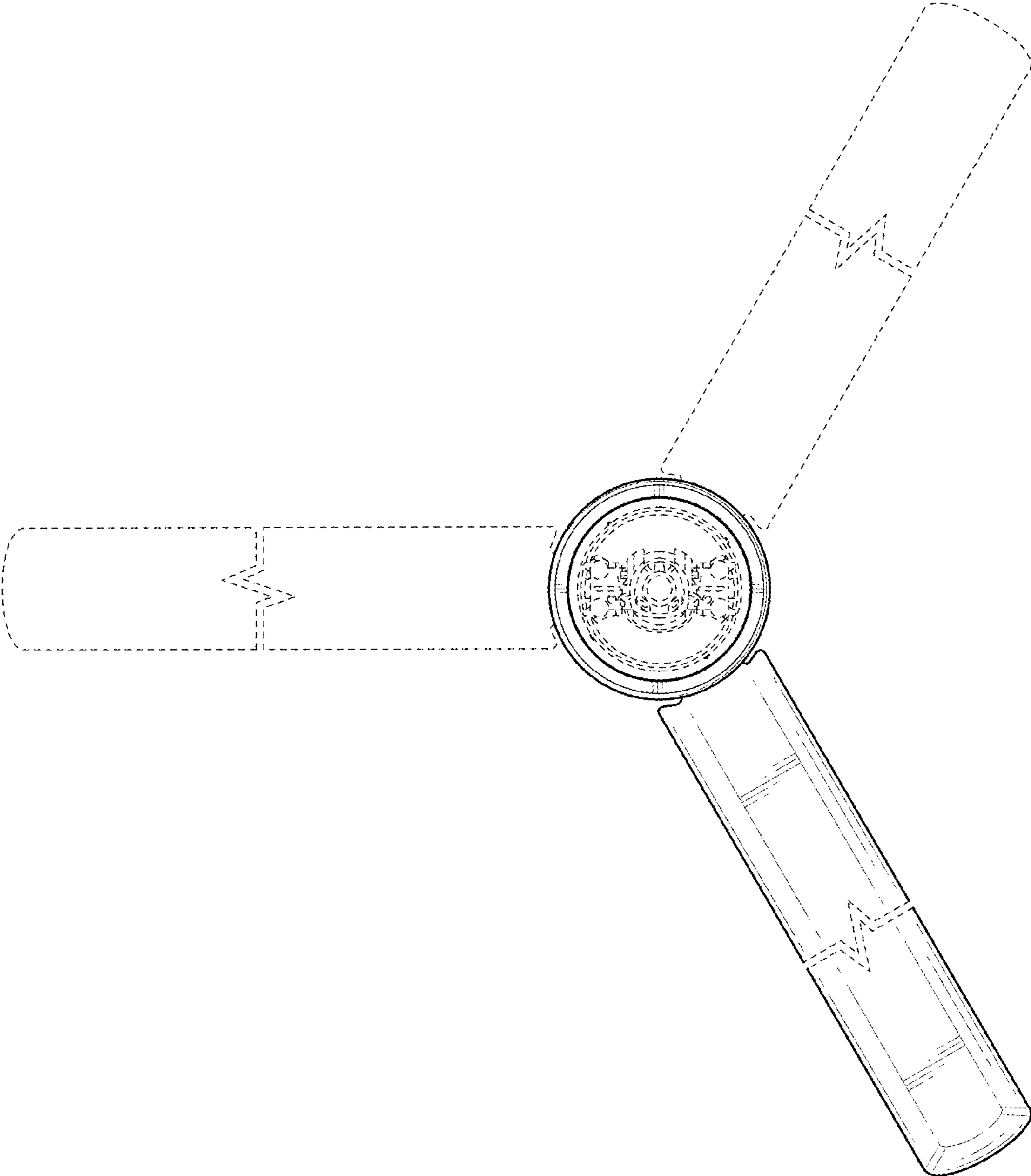


FIG. 3

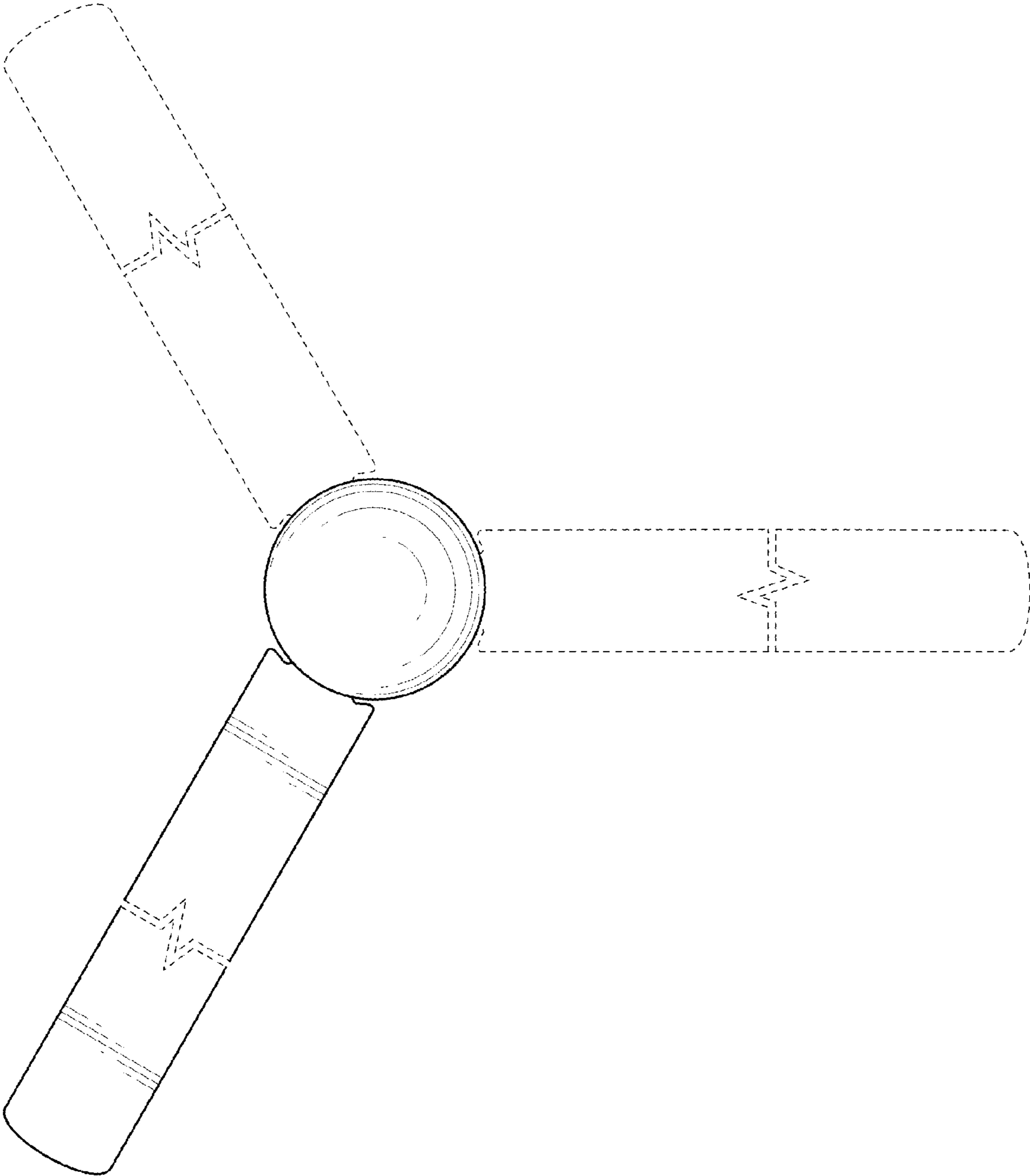


FIG. 4

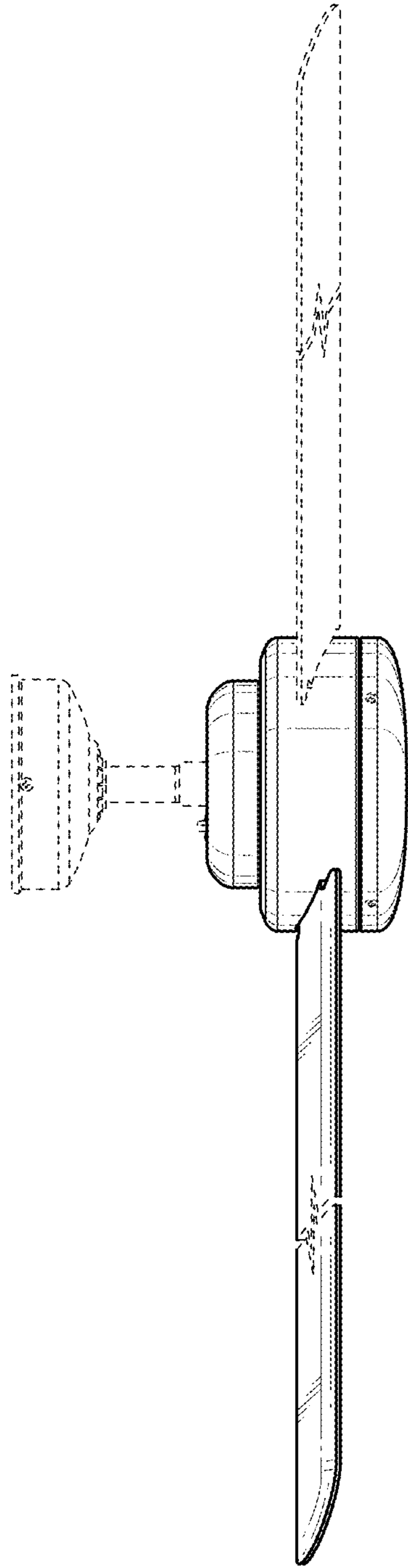


FIG. 5

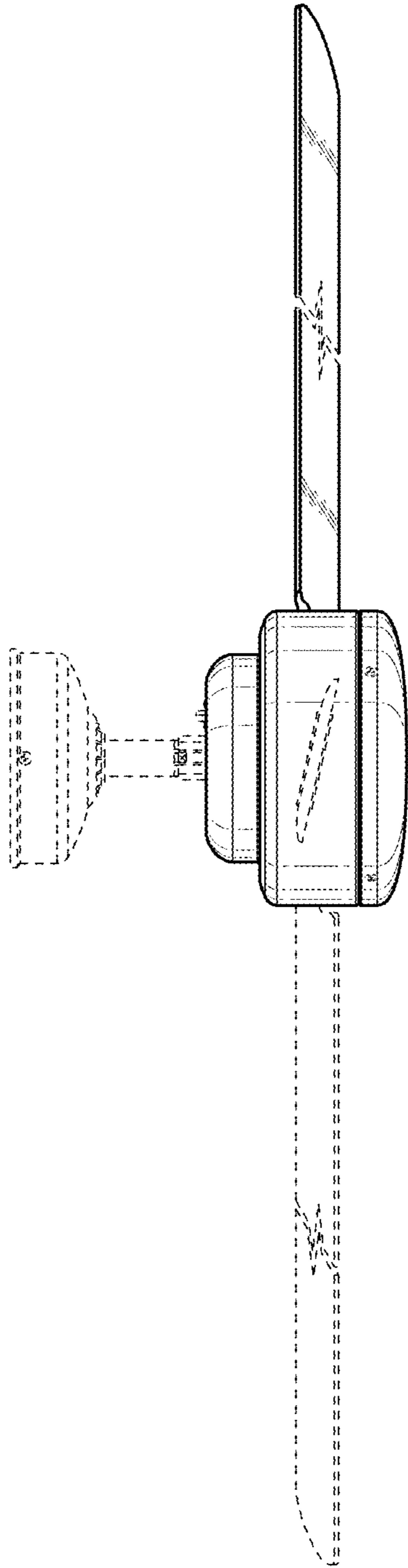


FIG. 6

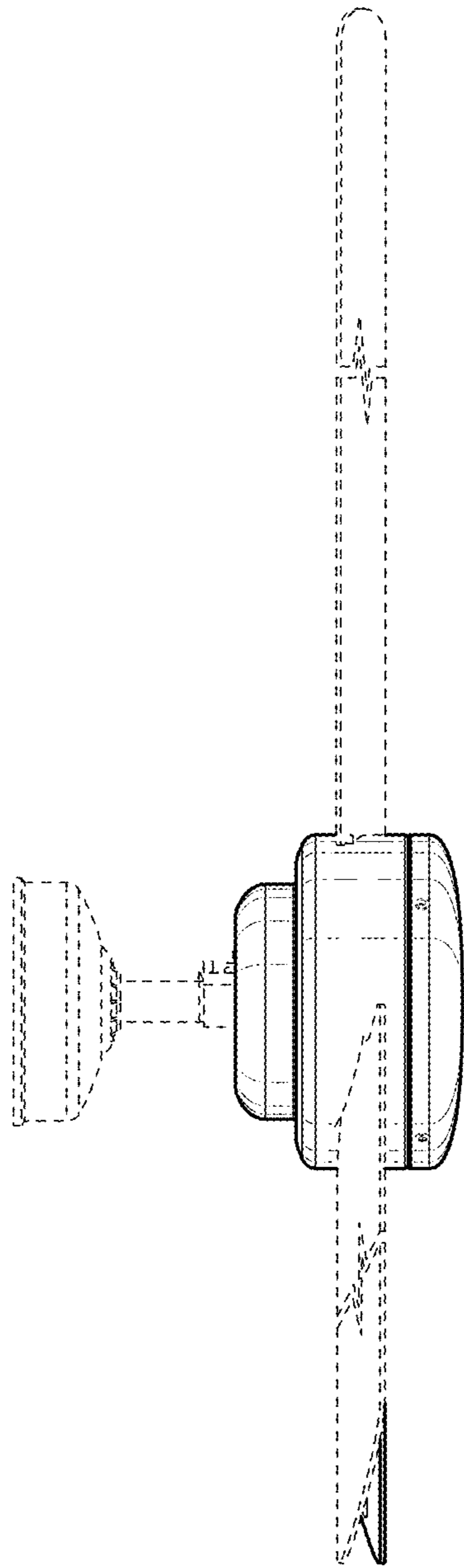


FIG. 7

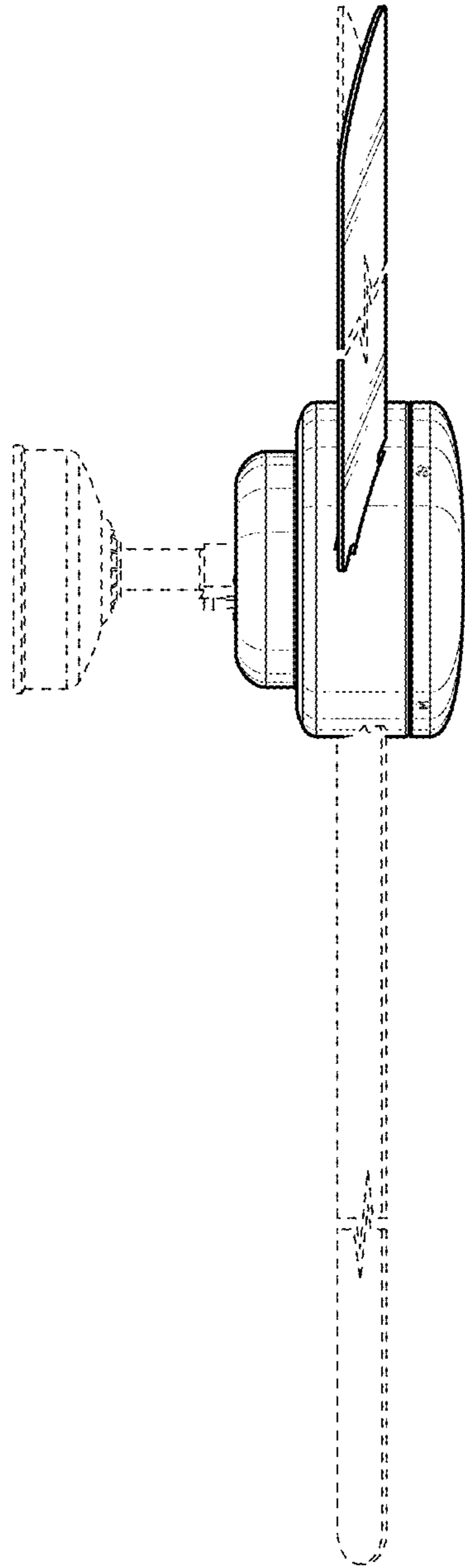


FIG. 8