



US00D970712S

(12) **United States Design Patent** (10) **Patent No.:** **US D970,712 S**
Eiffert (45) **Date of Patent:** **** Nov. 22, 2022**

(54) **CEILING FAN**

(71) Applicant: **Hunter Fan Company**, Memphis, TN (US)

(72) Inventor: **Ryan Lee Eiffert**, Memphis, TN (US)

(73) Assignee: **Hunter Fan Company**, Memphis, TN (US)

(**) Term: **15 Years**

(21) Appl. No.: **29/750,578**

(22) Filed: **Sep. 15, 2020**

(51) **LOC (13) Cl.** **23-04**

(52) **U.S. Cl.**
USPC **D23/377**

(58) **Field of Classification Search**
USPC D23/370, 377, 379, 385, 411-414;
D26/59

CPC F04D 25/088; F04D 29/38; F04D 29/384;
F04D 29/386; F21V 33/0096

See application file for complete search history.

(56) **References Cited**

U.S. PATENT DOCUMENTS

D284,304 S	6/1986	Harber	
D290,748 S	7/1987	Kawai	
D297,974 S	10/1988	Sonneman	
D333,867 S	3/1993	Markwardt	
D386,257 S *	11/1997	Liu	D23/385
D788,283 S	5/2017	Busta	
D804,639 S	12/2017	Guthrie	
D804,641 S	12/2017	McRoberts et al.	
D805,175 S	12/2017	Haggar	
D834,734 S	11/2018	Guthrie	
D855,788 S *	8/2019	Haggar	D23/377
D874,637 S *	2/2020	Haggar	D23/411
D875,914 S *	2/2020	Haggar	D23/377
D911,510 S *	2/2021	Guthrie	D23/377
D921,880 S *	6/2021	Haggar	D23/377

D921,881 S *	6/2021	Haggar	D26/59
D933,193 S *	10/2021	Haggar	D26/59
D938,569 S *	12/2021	Biancuzzo	D23/377
D941,452 S *	1/2022	O'Connell	D23/377
D941,453 S *	1/2022	Eiffert	D23/377
D941,984 S *	1/2022	Haggar	D23/411
D943,079 S *	2/2022	O'Connell	D23/377

(Continued)

OTHER PUBLICATIONS

<https://www.hunterfan.com/ceiling-fans/coral-bay-outdoor-with-light-52-inch-fan516>, Hunter Coral Bay Outdoor with Light 52 inch Ceiling Fan, Item No. 59420, accessed Mar. 25, 2020.

(Continued)

Primary Examiner — Sharon S Oum

(74) *Attorney, Agent, or Firm* — McGarry Bair PC

(57) **CLAIM**

The ornamental design for a ceiling fan, as shown and described.

DESCRIPTION

FIG. 1 is a top perspective view of a ceiling fan, showing my new design.

FIG. 2 is a bottom perspective view thereof;

FIG. 3 is a front view thereof;

FIG. 4 is a rear view thereof;

FIG. 5 is a right view thereof;

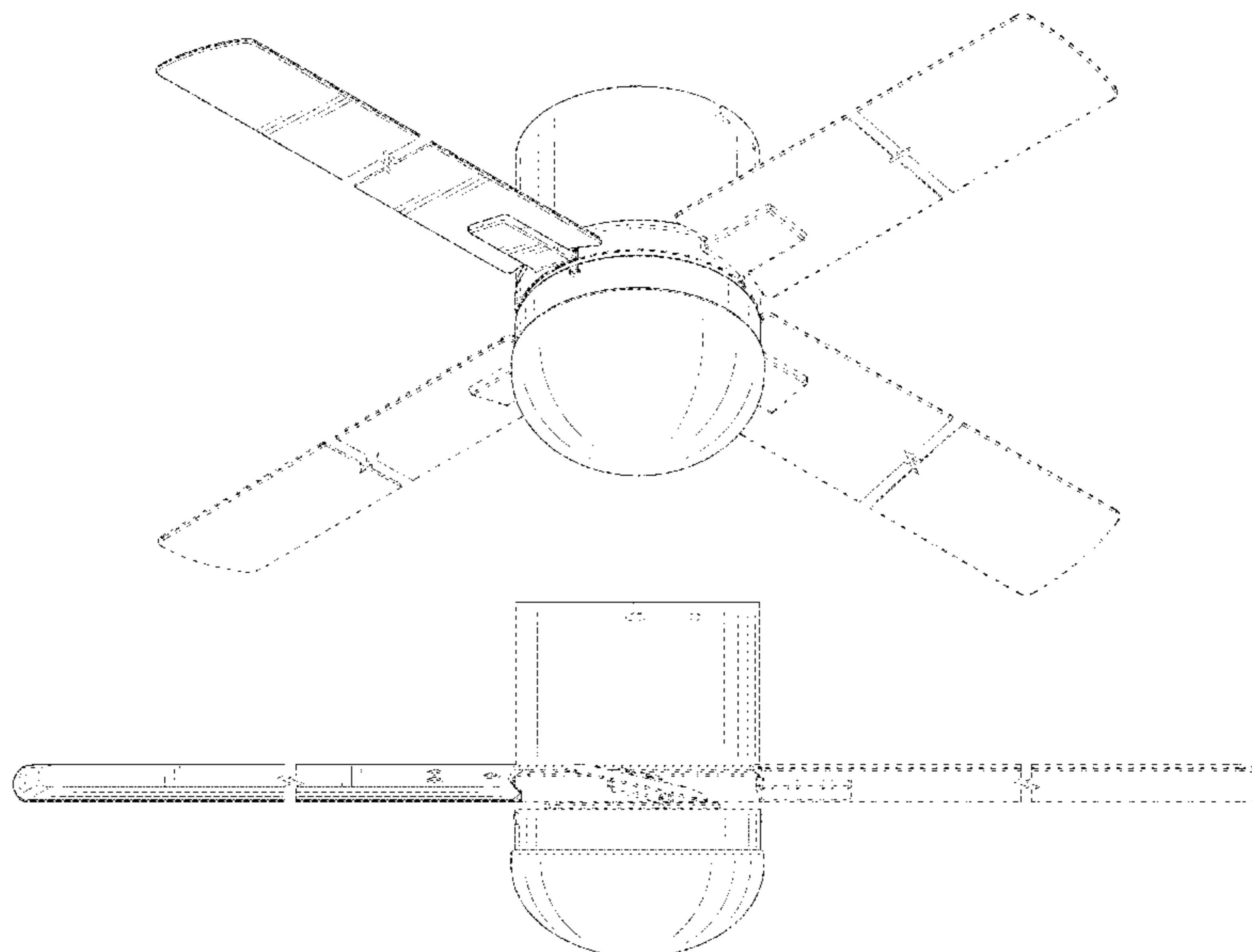
FIG. 6 is a left view thereof;

FIG. 7 is a top view thereof; and,

FIG. 8 is a bottom view thereof.

Portions of the ceiling fan are shown in broken lines, which form no part of the claimed design. The ceiling fan blades are shown with a symbolic break in their length. The appearance of any portion of the ceiling fan blades between the break lines forms no part of the claimed design.

1 Claim, 8 Drawing Sheets



(56)

References Cited

U.S. PATENT DOCUMENTS

D952,120 S * 5/2022 Eiffert D23/377

OTHER PUBLICATIONS

<https://www.hunterfan.com/ceiling-fans/minimus-low-profile-with-led-light-44-inch-fam794>, Hunter Minimus Low Profile with LED Light 44" Ceiling Fan, Item No. 59554, accessed Mar. 25, 2020.

<https://www.lowes.com/pd/Hunter-Windemere-II-LED-54-in-Brushed-Bronze-Indoor-Ceiling-Fan-with-Light-Kit-and-Remote-5-Blade/1000550533>, Hunter Windemere II LED 54-in 5 Blade Brushed Bronze Indoor Ceiling Fan with Light Kit and Remote, Model No. 59583, accessed Mar. 25, 2020.

<https://www.hunterfan.com/ceiling-fans/casablanca-axial-with-led-light-52-inch-fam813>, Casablanca Axial with LED Light 52 inch Ceiling Fan, Item No. 59341, accessed Mar. 25, 2020.

<http://www.fanimation.com/products/index.php/fans/pylon.html>, Fanimation Pylon 48-in Brushed Nickel LED Indoor Downrod Smart Ceiling Fan with Remote, Model No. LP8277, accessed Mar. 25, 2020.

<https://www.hunterfan.com/ceiling-fans/tarrant-with-led-light-36-inch-fam984>, Hunter Tarrant with LED Light 36 inch Ceiling Fan, Item No. 59304, accessed Mar. 25, 2020.

<https://modernfan.com/fan/cirrus-flush-dc/Moden-Fan-Cirrus-Flush-DC-50-inch-Ceiling-Fan>, accessed Mar. 25, 2020.

<https://www.costco.com/Hunter-Exeter-54%22-LED-Ceiling-Fan.product.100352430.html>, Hunter Exeter 54" LED Ceiling Fan, Item No. 59161, accessed Mar. 25, 2020.

<https://www.craftmade.com/montreal-mn44-led>, Craftmade Montreal LED 44" Ceiling Fan with Blades and Light Kit, Model No. MN44BNK4-LED, accessed Mar. 25, 2020.

<https://www.luminancebrands.com/fans/cf330grt.html>, Emerson Ideal ECO Ceiling Fan, Model No. CF330GRT, accessed Mar. 25, 2020.

* cited by examiner

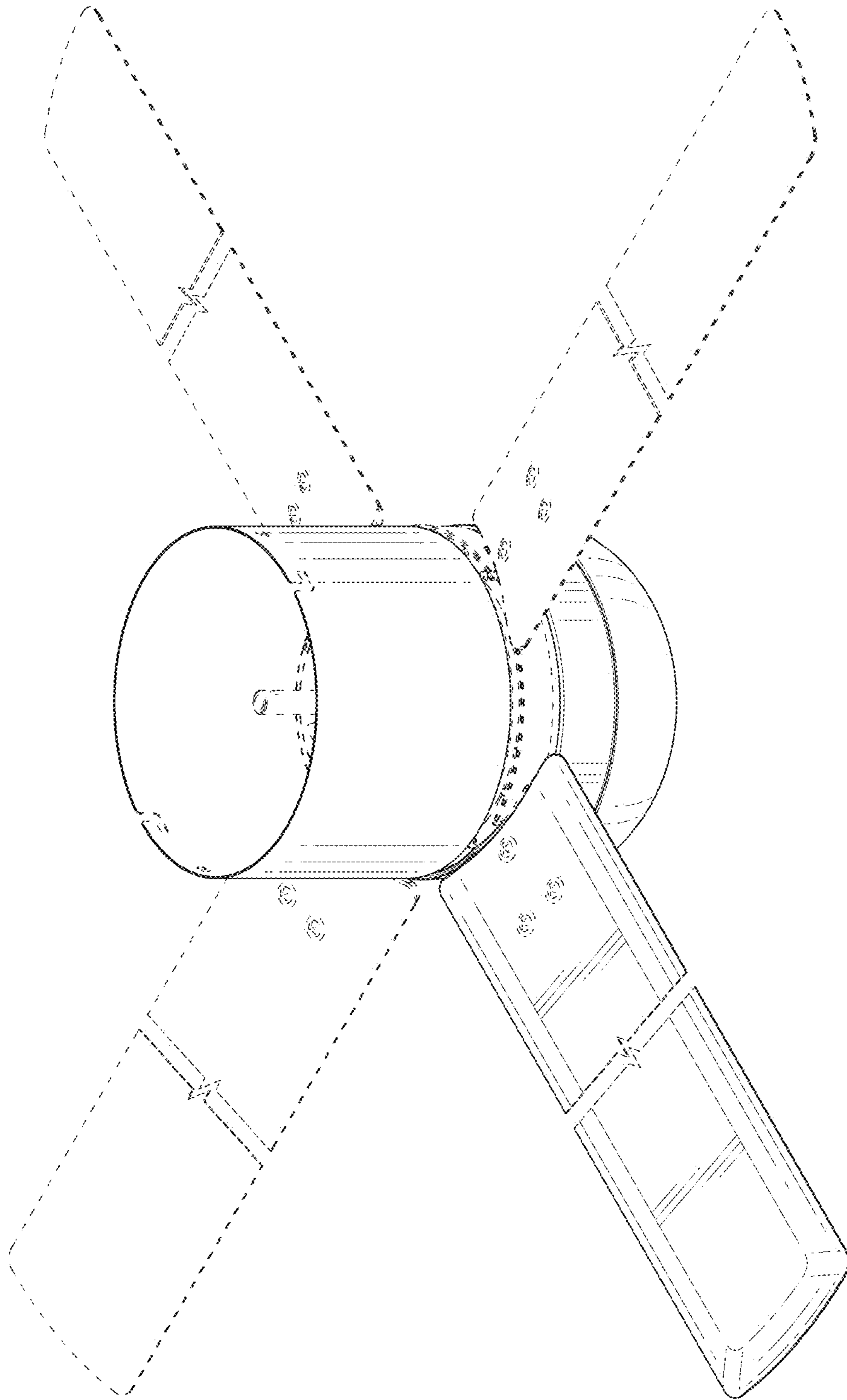


FIG. 1

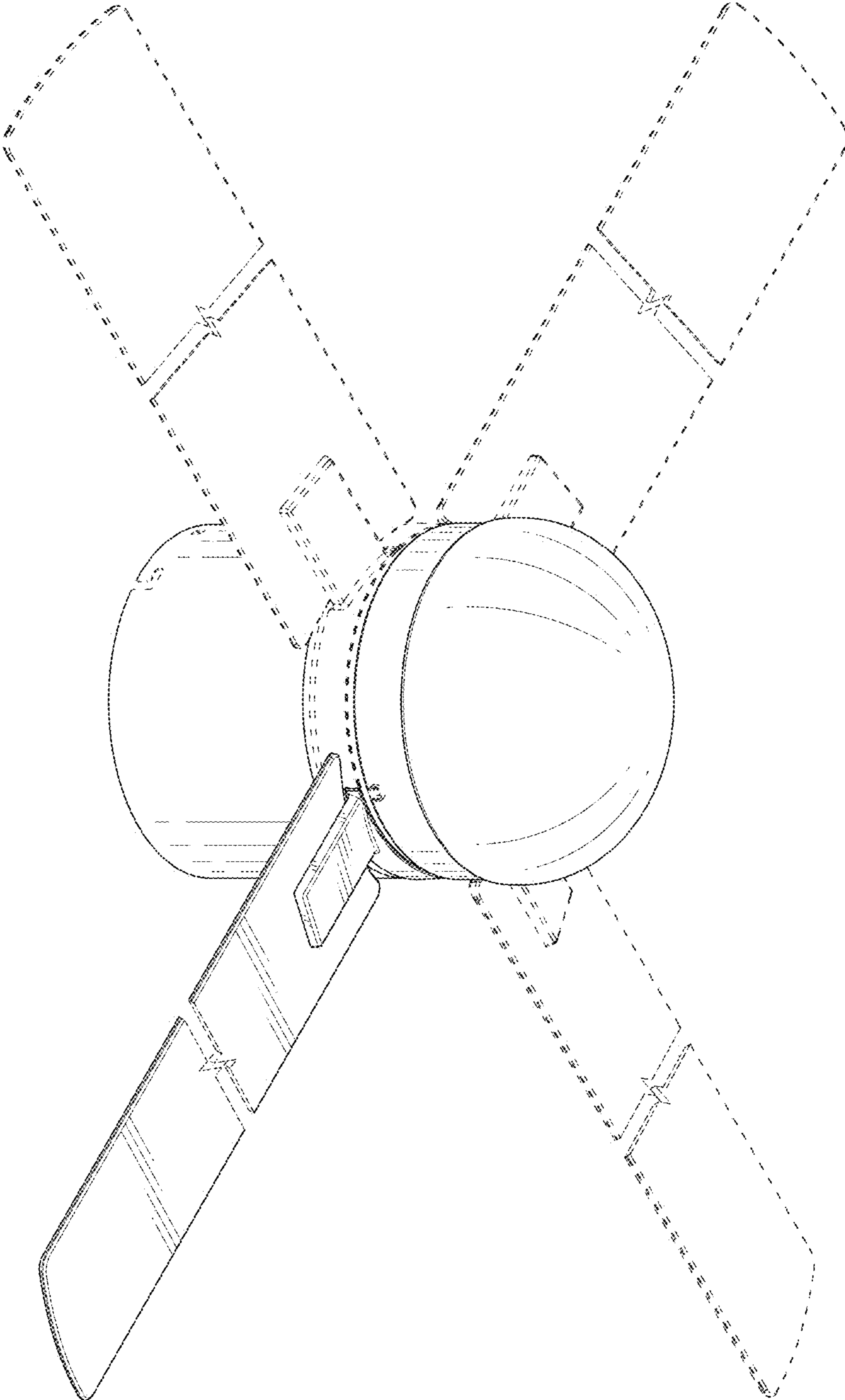


FIG. 2

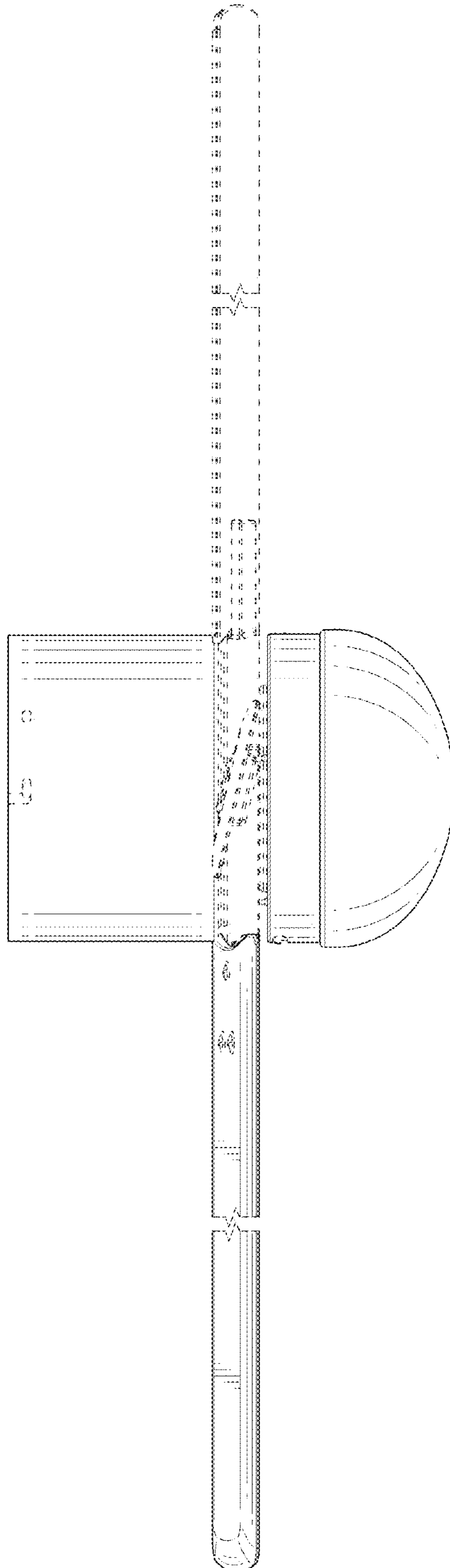


FIG. 3

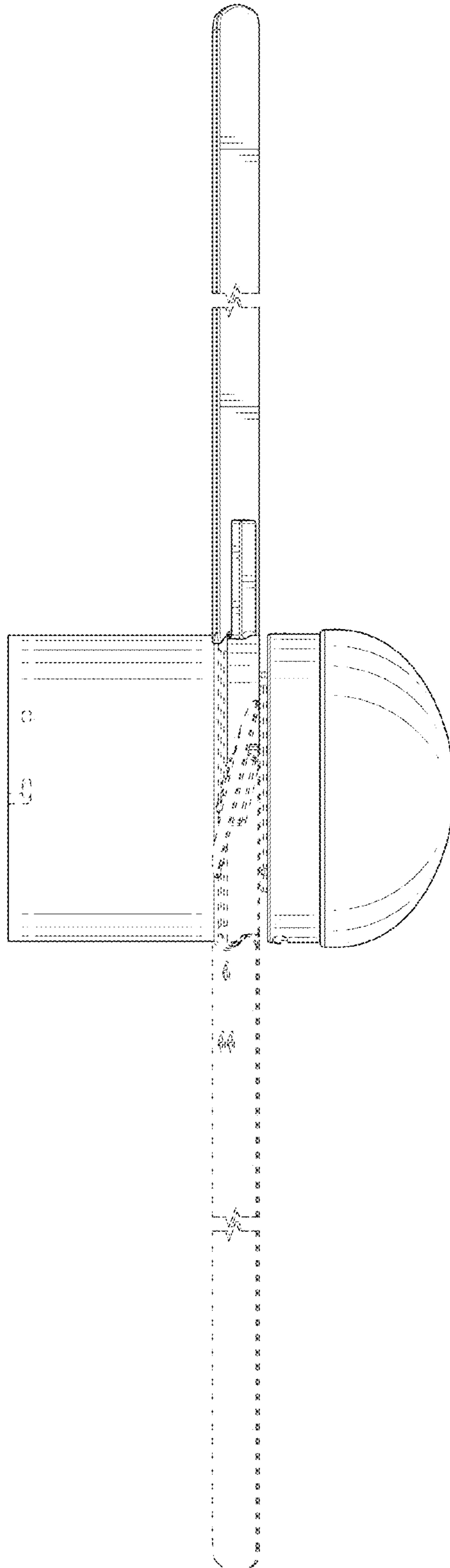


FIG. 4

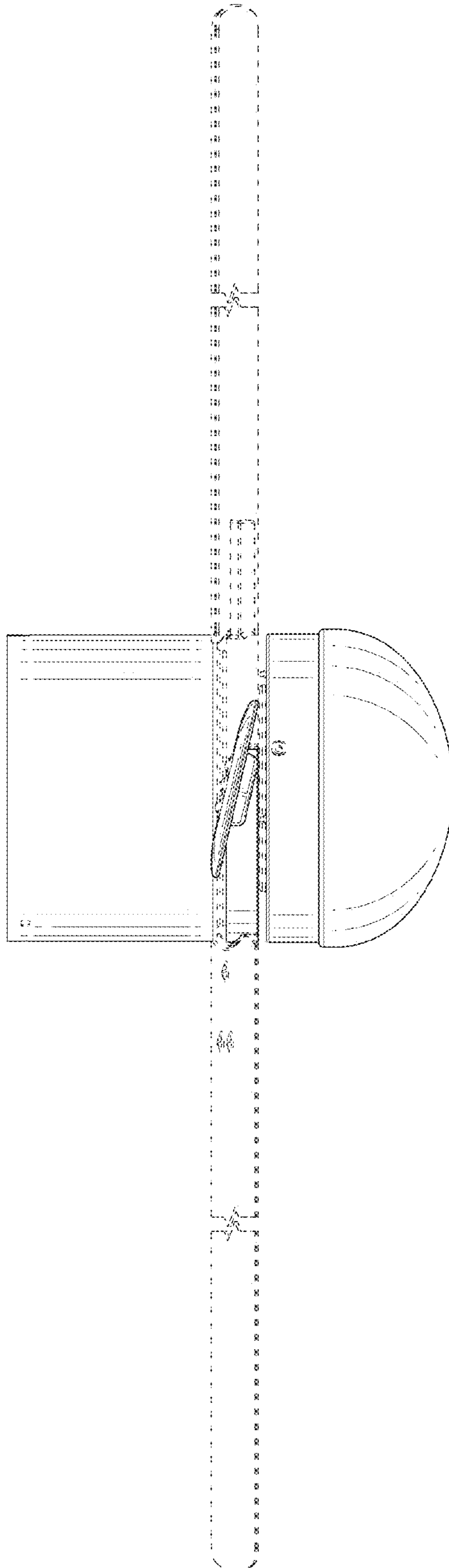


FIG. 5

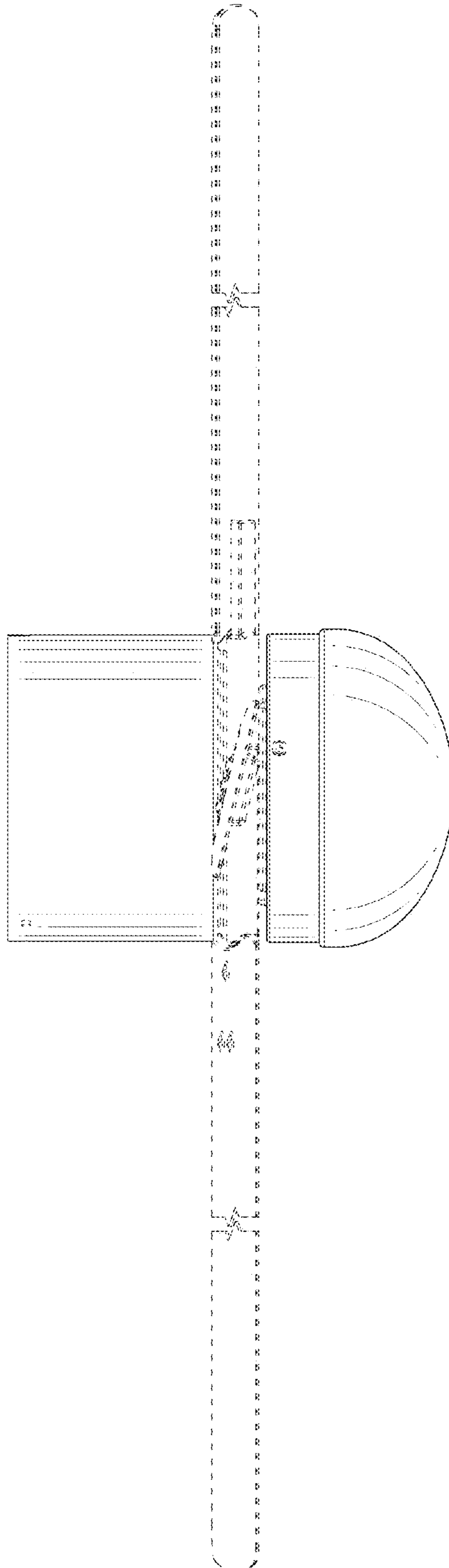


FIG. 6

