



US00D970709S

(12) **United States Design Patent** (10) **Patent No.:** **US D970,709 S**  
**Xu** (45) **Date of Patent:** **\*\* Nov. 22, 2022**

- (54) **AIR PURIFIER**
- (71) Applicant: **Dongguan Huifeng Tech. Co., Ltd.**,  
Guangdong (CN)
- (72) Inventor: **Dezhao Xu**, Guangdong (CN)
- (73) Assignee: **Dongguan Huifeng Tech. Co., Ltd.**,  
Guangdong (CN)
- (\*\*) Term: **15 Years**
- (21) Appl. No.: **29/823,477**
- (22) Filed: **Jan. 18, 2022**
- (51) **LOC (13) Cl.** ..... **23-04**
- (52) **U.S. Cl.**  
USPC ..... **D23/364**
- (58) **Field of Classification Search**  
USPC ..... D23/355-366, 352, 369, 332, 333, 335,  
D23/336, 342, 351  
CPC .. A61L 9/16; A61L 9/22; B01D 47/00; B01D  
47/027; B01D 2221/02; B01D 2259/4508;  
B03C 3/155; B03C 3/368; F24F 3/16;  
F24F 13/20; F24F 13/28  
See application file for complete search history.

- D591,412 S \* 4/2009 Rittri ..... D23/364
- 7,785,403 B2 \* 8/2010 Ouyang ..... B03C 3/155  
96/97
- D843,553 S 3/2019 Kim et al.
- D878,532 S \* 3/2020 Shin ..... D23/364
- D884,864 S \* 5/2020 Sun ..... D23/364
- 10,688,431 B2 \* 6/2020 Kang ..... B01D 46/0039
- D890,906 S 7/2020 Jeon
- D906,502 S \* 12/2020 Lu ..... D23/364
- D954,243 S \* 6/2022 Yan ..... D23/364

\* cited by examiner

*Primary Examiner* — David G Muller  
(74) *Attorney, Agent, or Firm* — True Shepherd, LLC;  
Andrew Cheng

(57) **CLAIM**

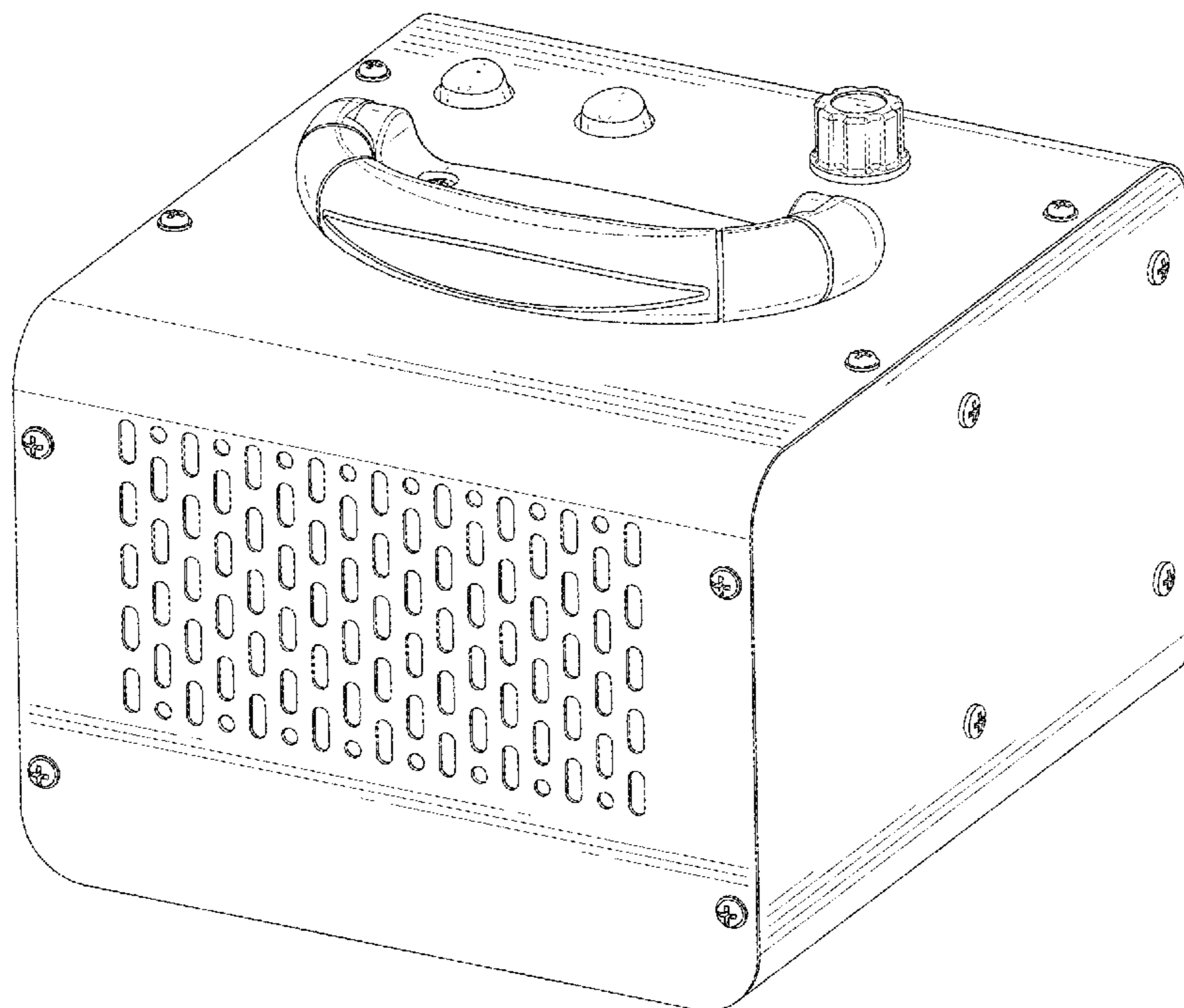
The ornamental design for an air purifier, as shown and described.

**DESCRIPTION**

FIG. 1 is a front, right and top perspective view of an air purifier, showing my design.  
FIG. 2 is a rear, left and bottom perspective view thereof.  
FIG. 3 is a front elevation view thereof.  
FIG. 4 is a rear elevation view thereof.  
FIG. 5 is a left side elevation view thereof.  
FIG. 6 is a right side elevation view thereof.  
FIG. 7 is a top plan view thereof; and,  
FIG. 8 is a bottom plan view thereof.  
The broken lines shown in the drawings are included for the purpose of illustrating portions of the air purifier that form no part of the claimed design.

**1 Claim, 8 Drawing Sheets**

- (56) **References Cited**  
U.S. PATENT DOCUMENTS
- 5,332,425 A \* 7/1994 Huang ..... B03C 3/155  
96/57
- D377,974 S \* 2/1997 Wasser ..... D23/355
- 6,616,736 B2 \* 9/2003 Massey ..... B01D 46/62  
96/25
- 7,323,146 B2 \* 1/2008 Kim ..... B01D 46/10  
422/186.06



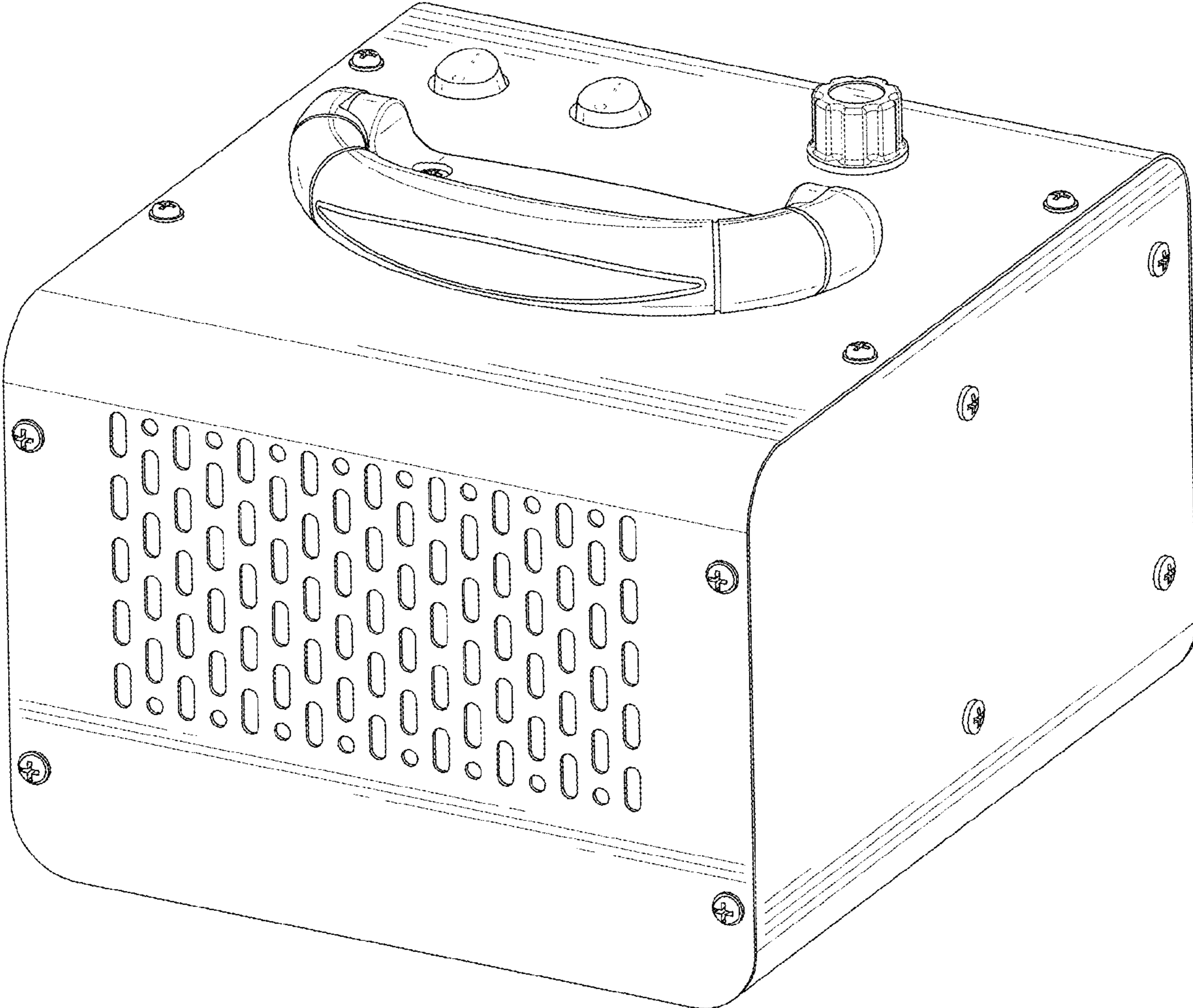


FIG. 1

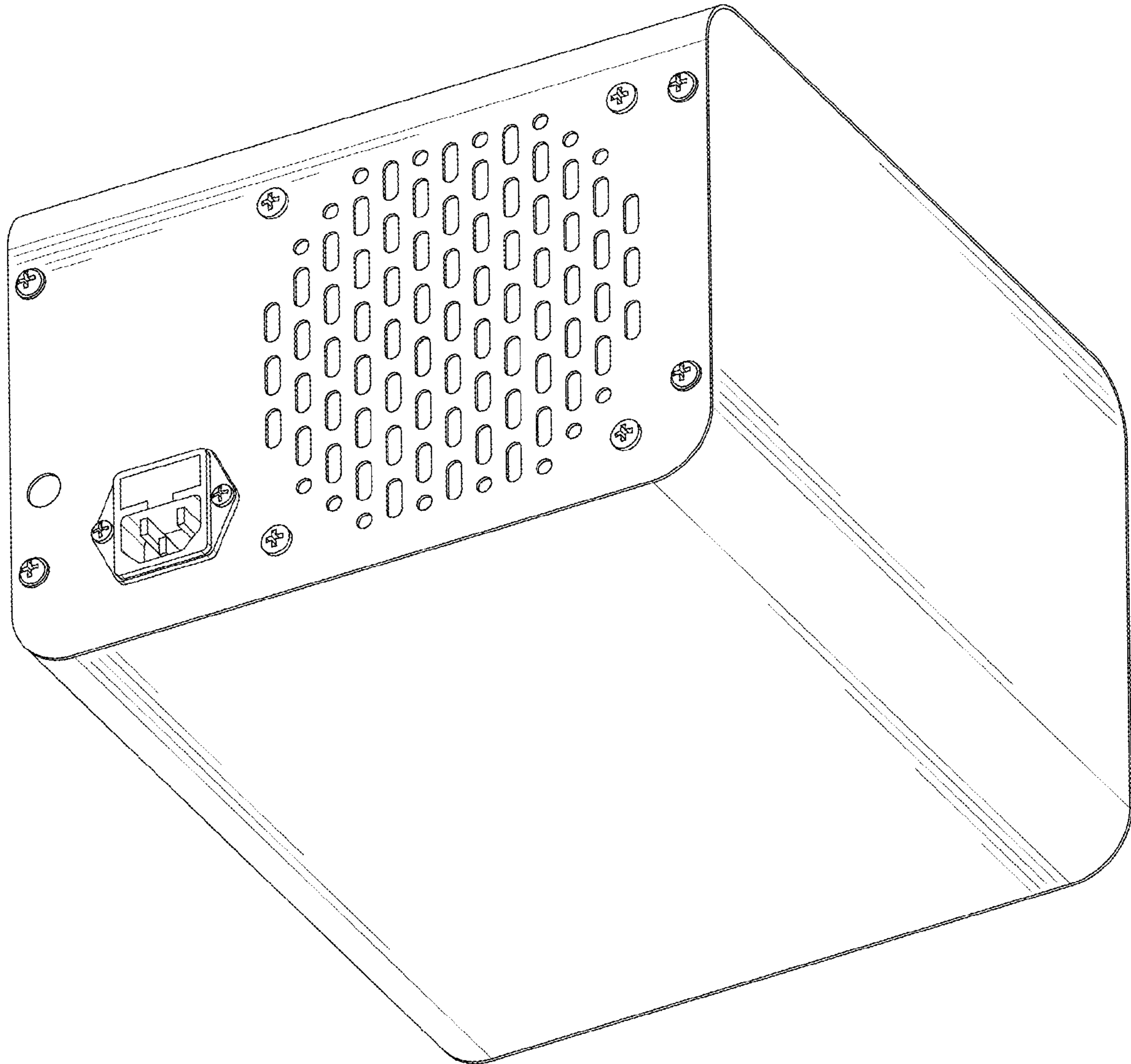


FIG. 2

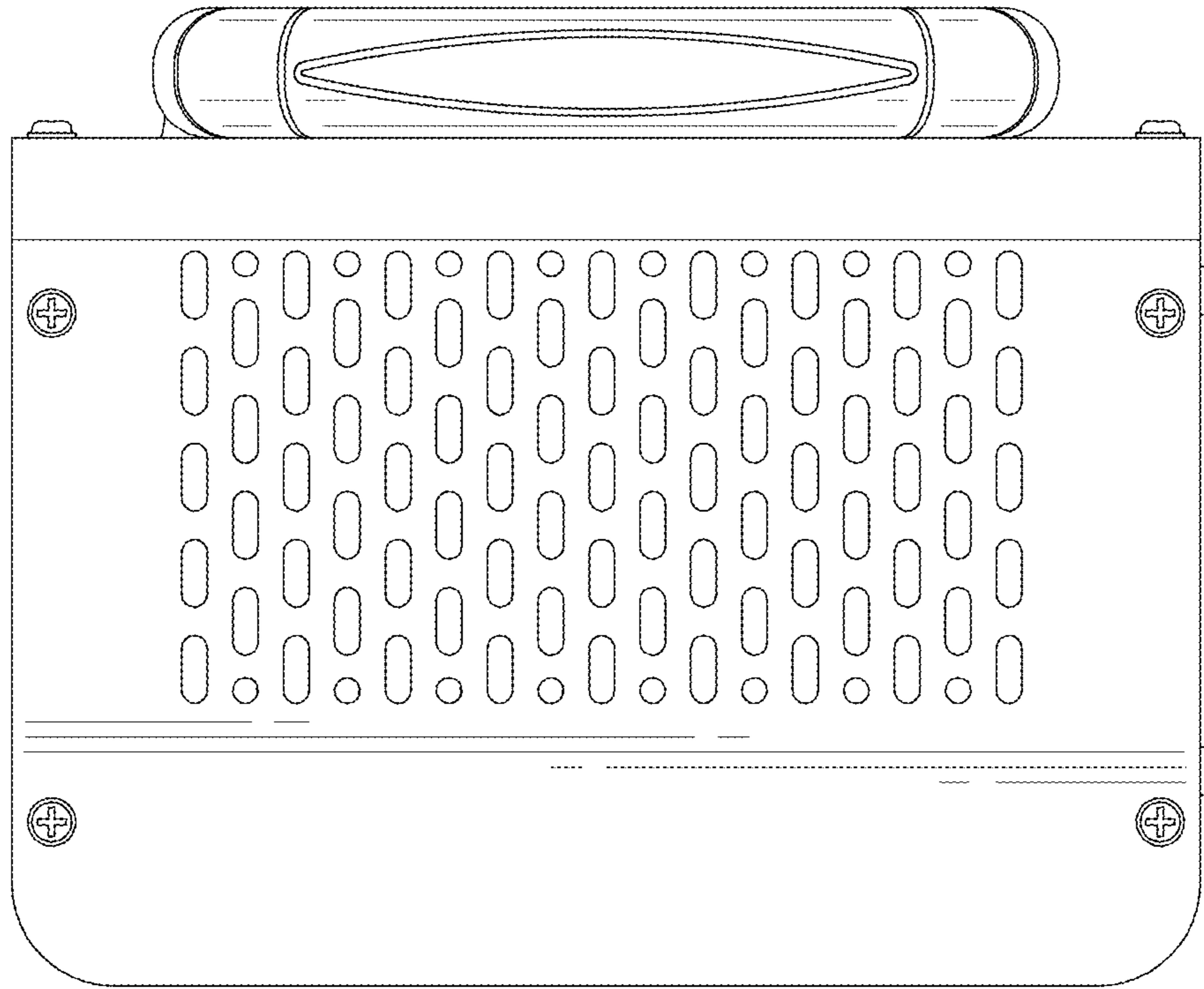


FIG. 3



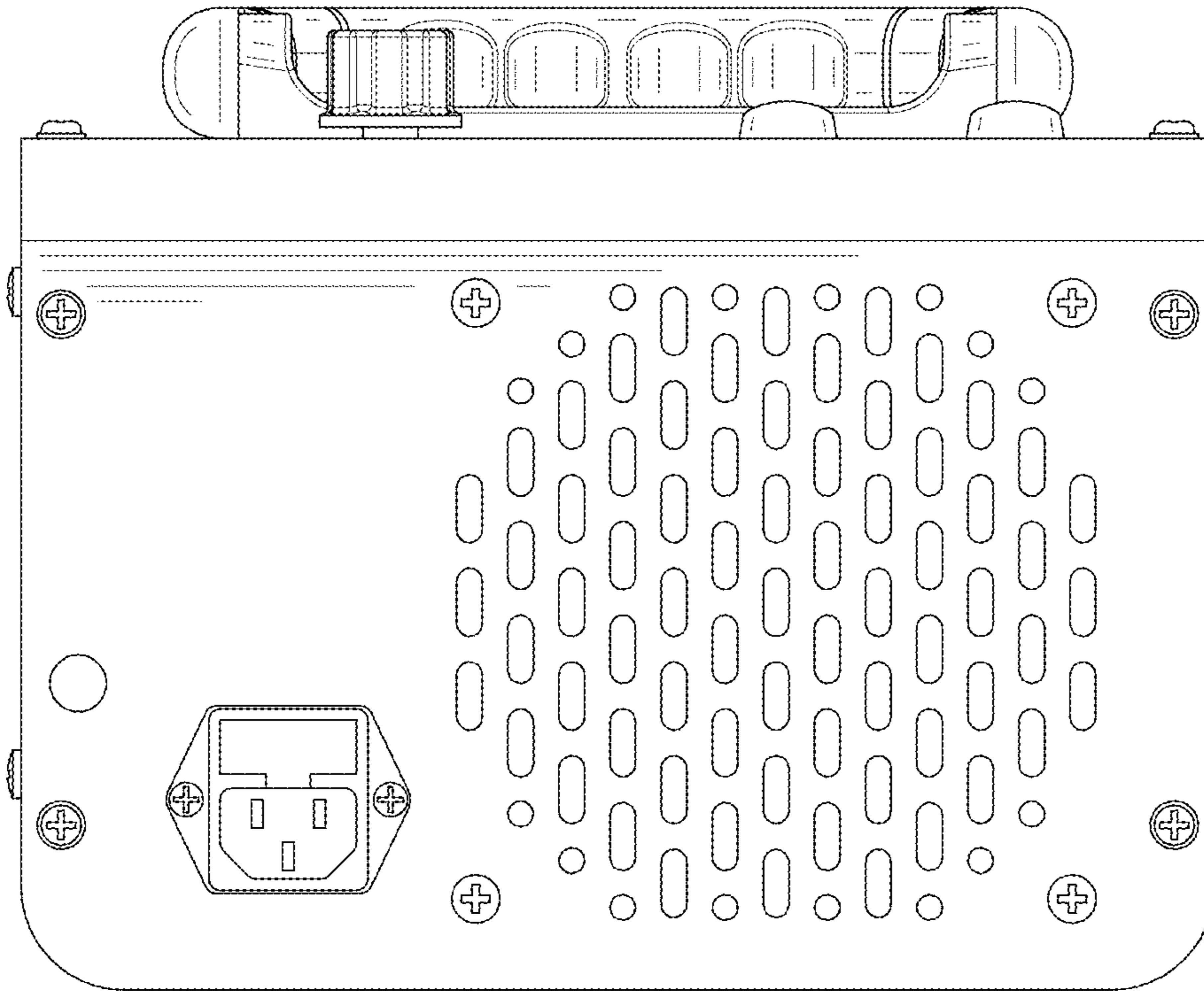


FIG. 4

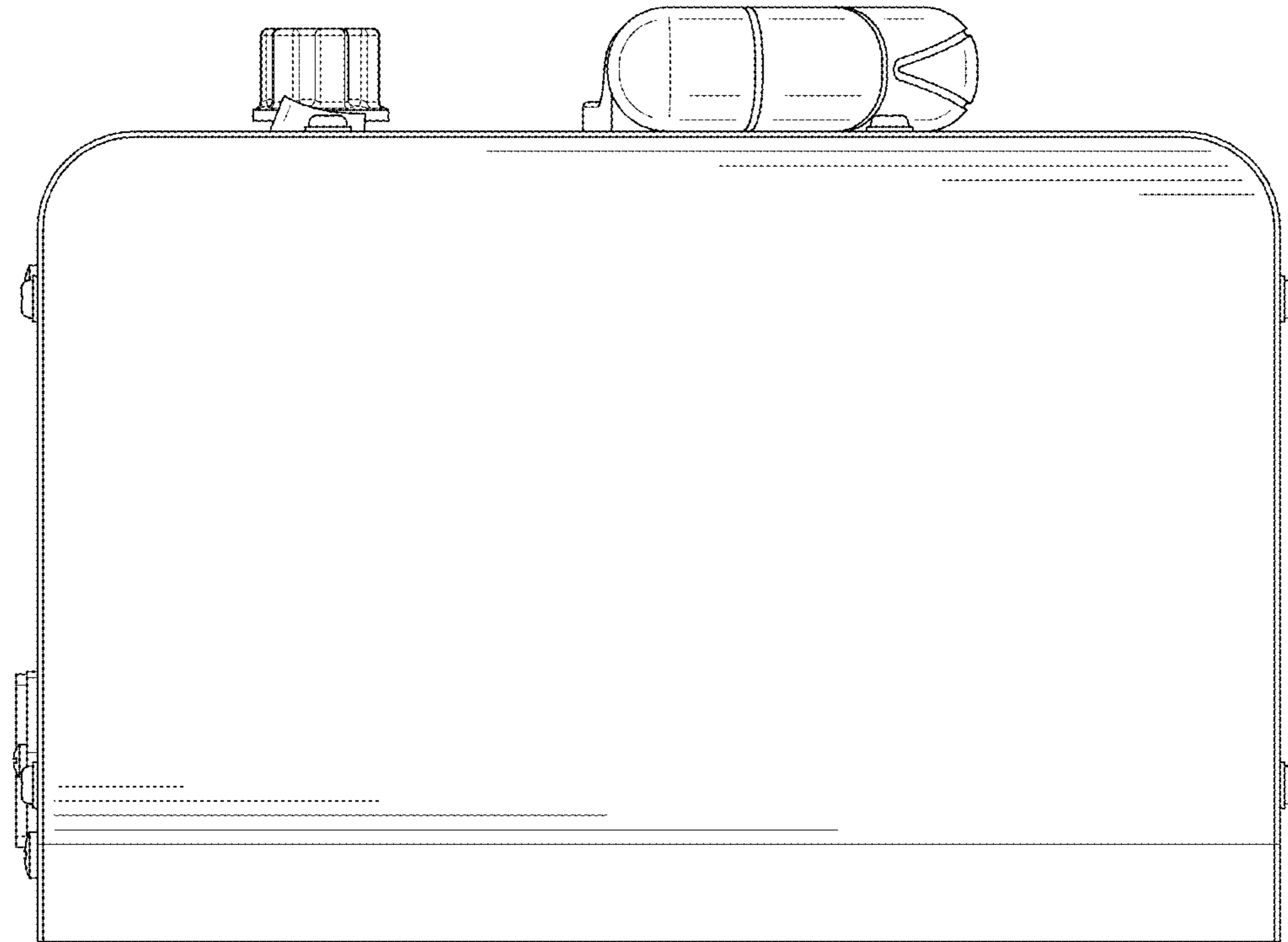


FIG. 5

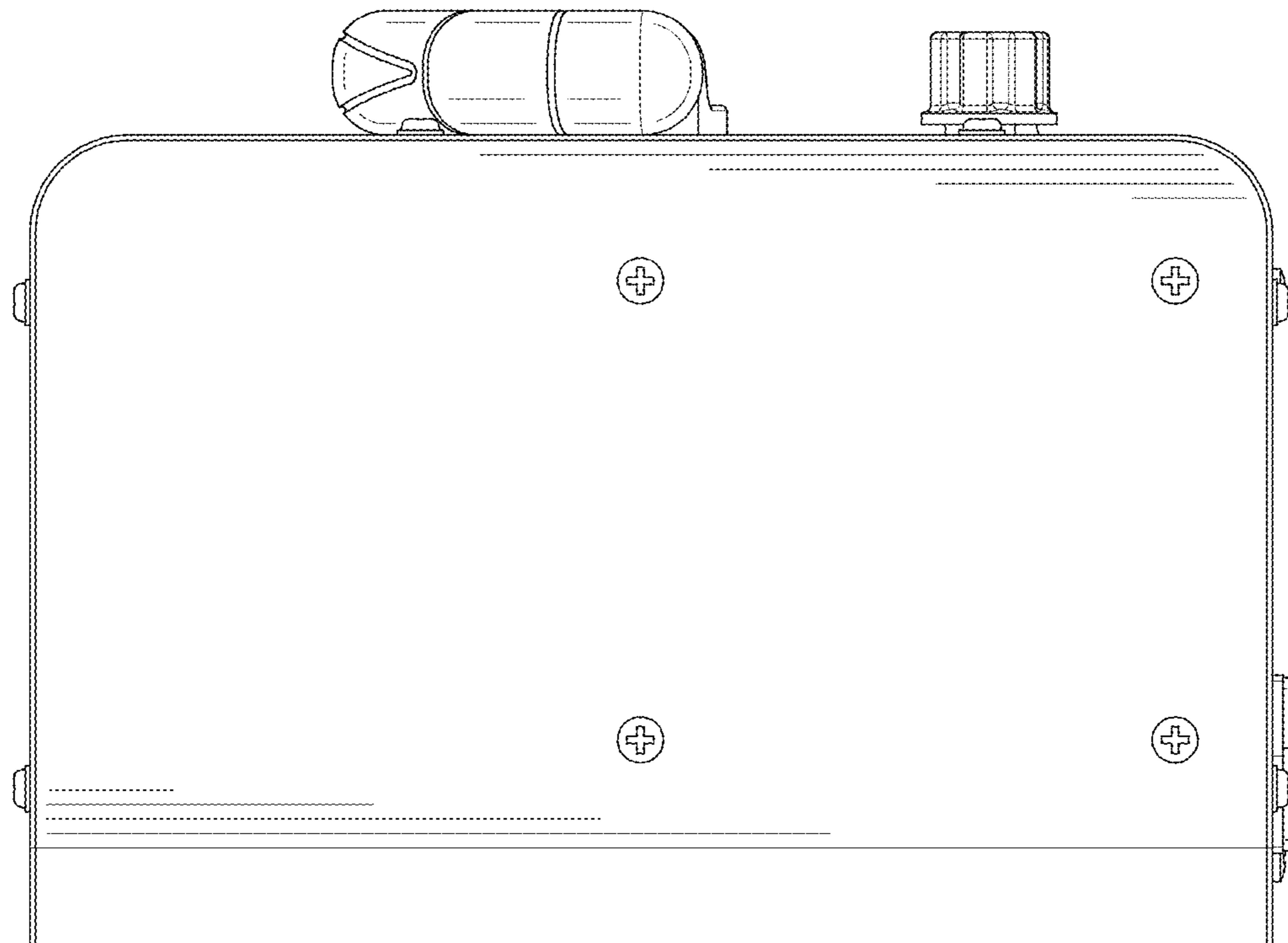


FIG. 6

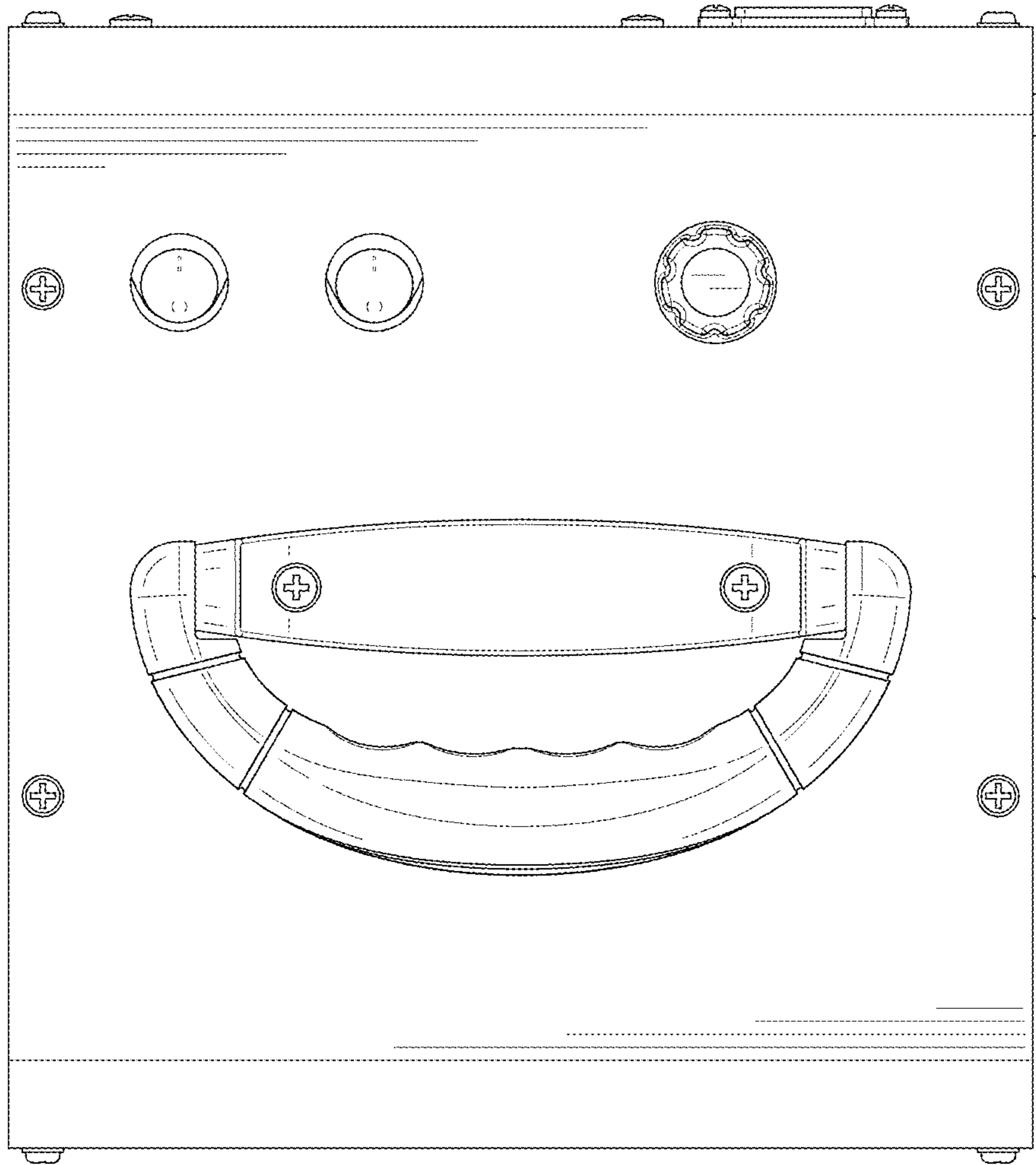


FIG. 7



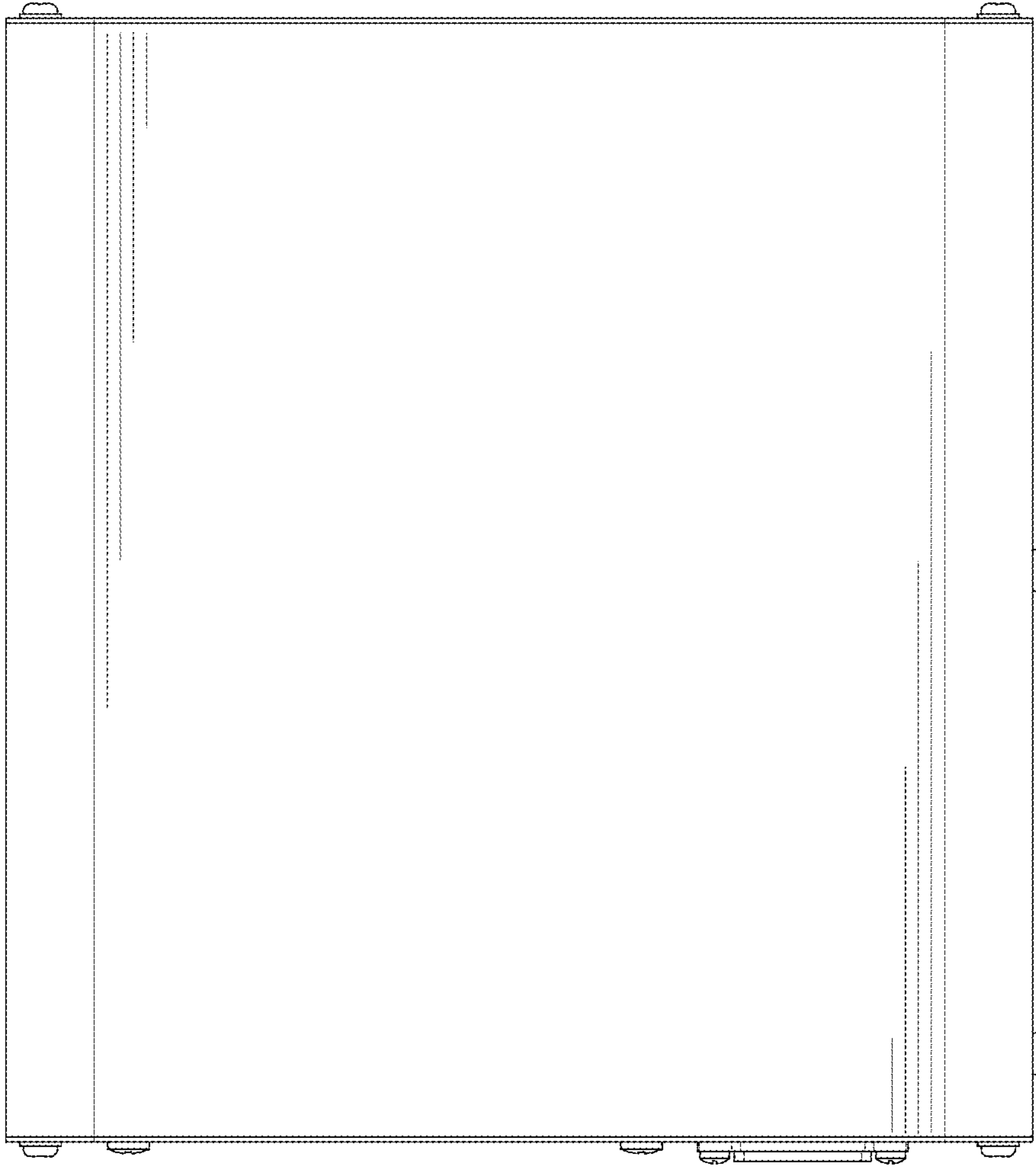


FIG. 8