



US00D970707S

(12) **United States Design Patent** (10) **Patent No.:** **US D970,707 S**
Xu (45) **Date of Patent:** **** Nov. 22, 2022**

(54) **AIR PURIFIER** D591,412 S * 4/2009 Rittri D23/364
7,785,403 B2 * 8/2010 Ouyang B03C 3/155
96/97
(71) Applicant: **Dongguan Huifeng Tech. Co., Ltd.,** D843,553 S 3/2019 Kim et al.
Guangdong (CN) D878,532 S * 3/2020 Shin D23/364
D884,864 S * 5/2020 Sun D23/364
(72) Inventor: **Dezhao Xu,** Guangdong (CN) 10,688,431 B2 * 6/2020 Kang B01D 46/0039
D890,906 S 7/2020 Jeon
(73) Assignee: **Dongguan Huifeng Tech. Co., Ltd.,** D906,502 S * 12/2020 Lu D23/364
Guangdong (CN) D954,243 S * 6/2022 Yan D23/364

(**) Term: **15 Years**

(21) Appl. No.: **29/823,475**

(22) Filed: **Jan. 18, 2022**

(51) **LOC (13) Cl.** **23-04**

(52) **U.S. Cl.**
USPC **D23/364**

(58) **Field of Classification Search**
USPC D23/355-366, 352, 369, 332, 333, 335,
D23/336, 342, 351
CPC .. A61L 9/16; A61L 9/22; B01D 47/00; B01D
47/027; B01D 2221/02; B01D 2259/4508;
B03C 3/155; B03C 3/368; F24F 3/16;
F24F 13/20; F24F 13/28
See application file for complete search history.

(56) **References Cited**

U.S. PATENT DOCUMENTS

5,332,425 A * 7/1994 Huang B03C 3/155
96/57
D377,974 S * 2/1997 Wasser D23/355
6,616,736 B2 * 9/2003 Massey B01D 46/62
96/25
7,323,146 B2 * 1/2008 Kim B01D 46/10
422/186.06

* cited by examiner

Primary Examiner — David G Muller

(74) *Attorney, Agent, or Firm* — True Shepherd, LLC;
Andrew Cheng

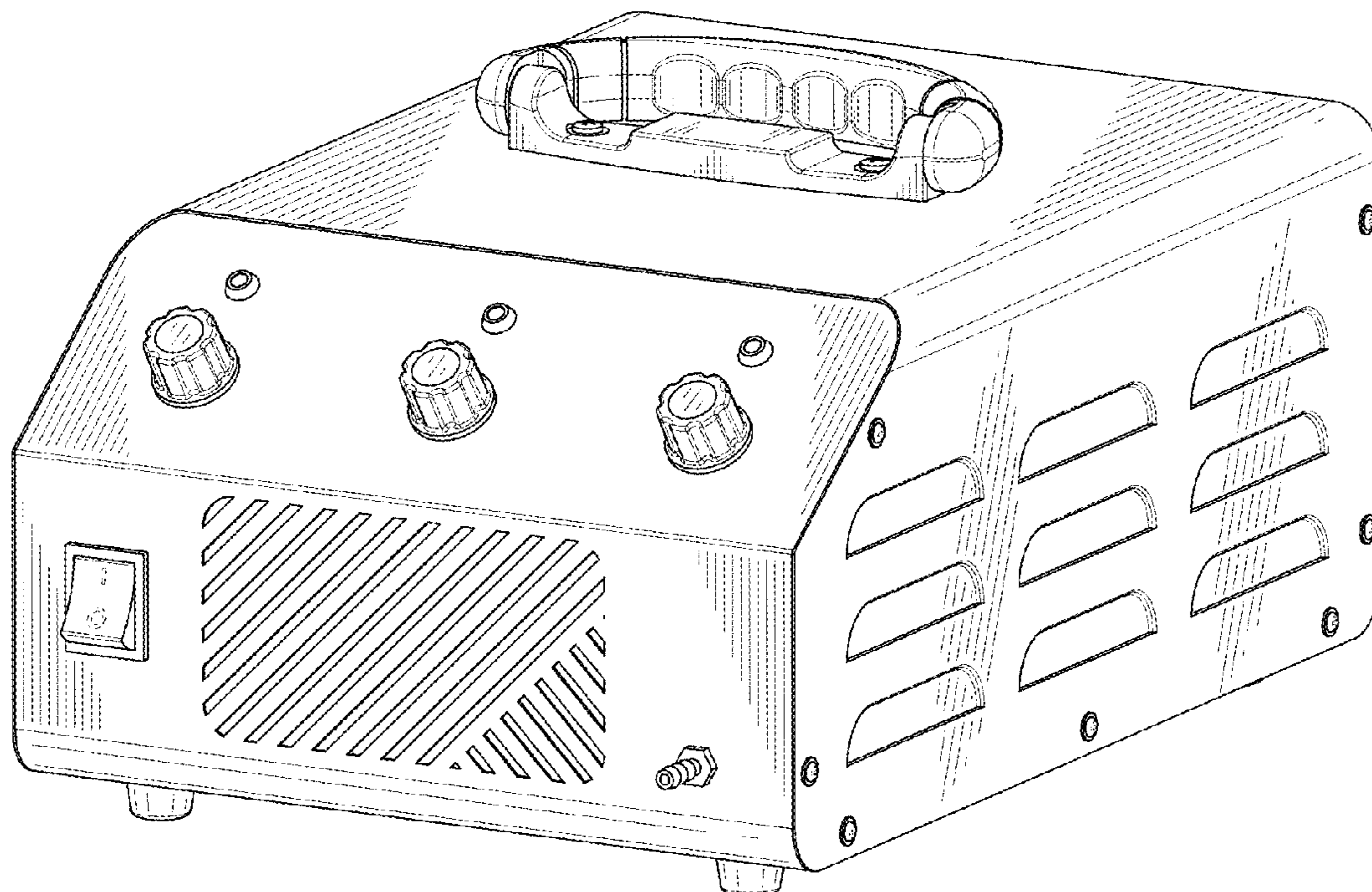
(57) **CLAIM**

The ornamental design for an air purifier, as shown and described.

DESCRIPTION

FIG. 1 is a front, right and top perspective view of an air purifier, showing my design.
FIG. 2 is a rear, left and bottom perspective view thereof.
FIG. 3 is a front elevation view thereof.
FIG. 4 is a rear elevation view thereof.
FIG. 5 is a left side elevation view thereof.
FIG. 6 is a right side elevation view thereof.
FIG. 7 is a top plan view thereof; and,
FIG. 8 is a bottom plan view thereof.
The broken lines shown in the drawings are included for the purpose of illustrating portions of the air purifier that form no part of the claimed design.

1 Claim, 8 Drawing Sheets



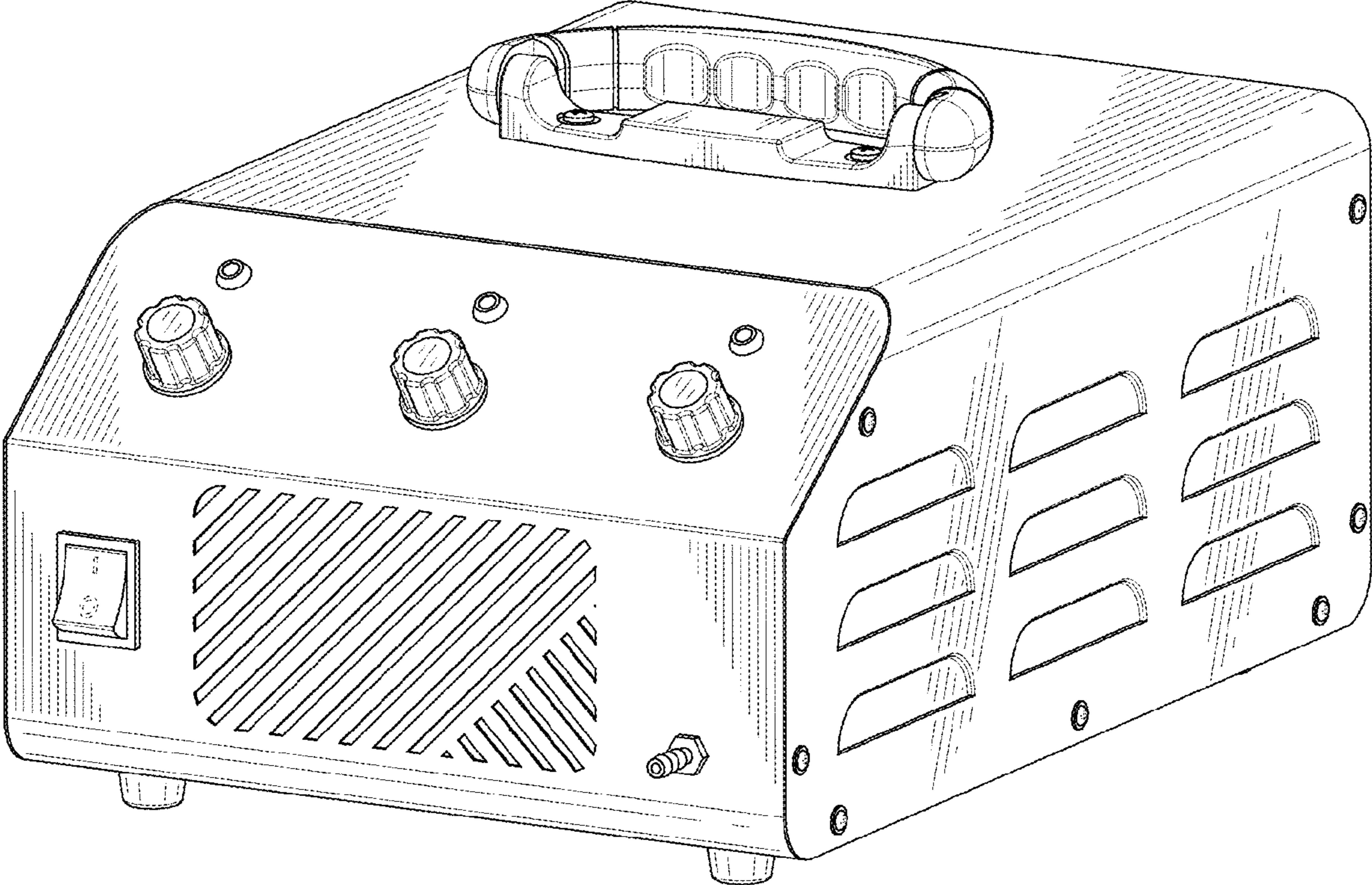


FIG. 1

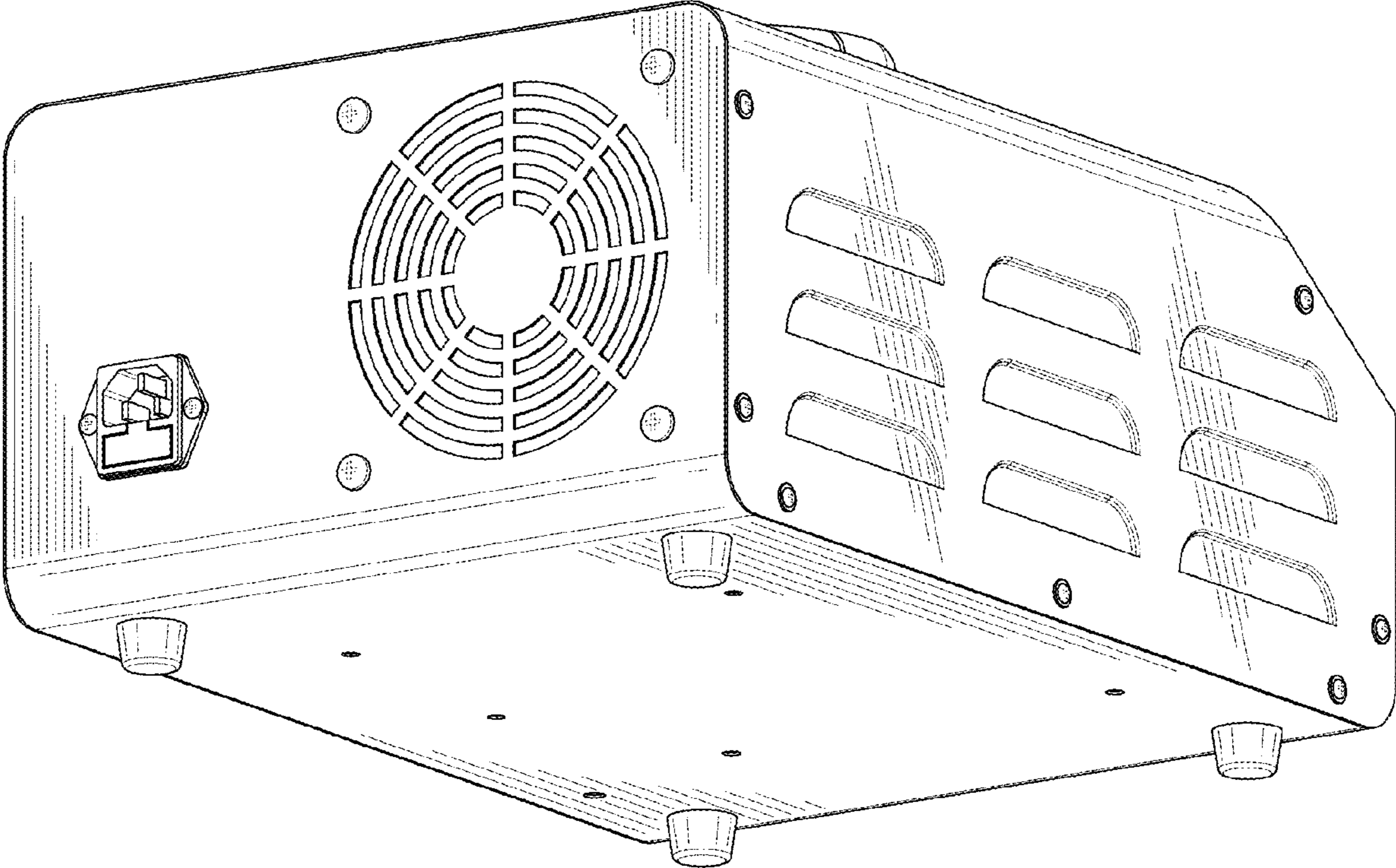


FIG.2

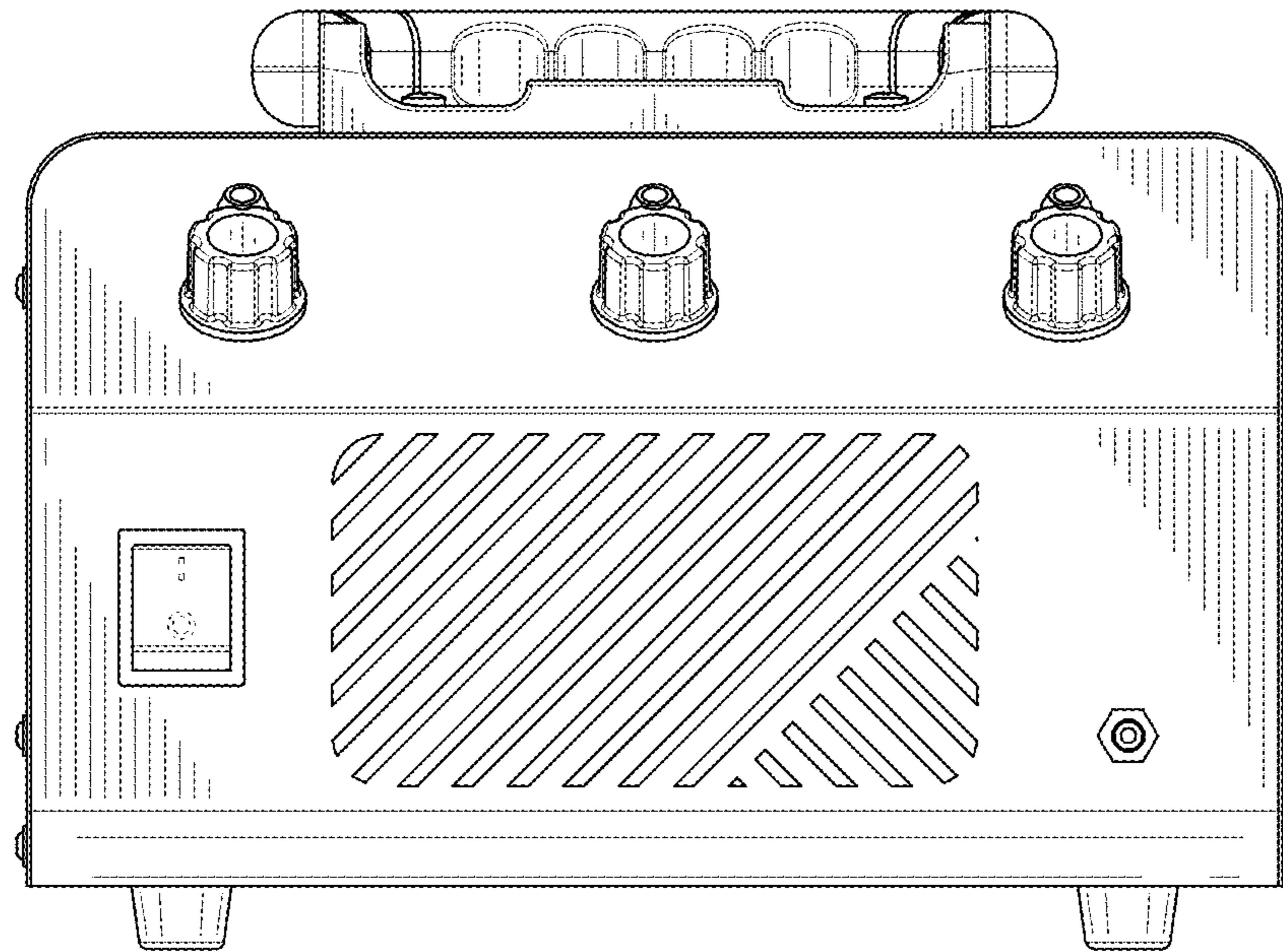


FIG. 3

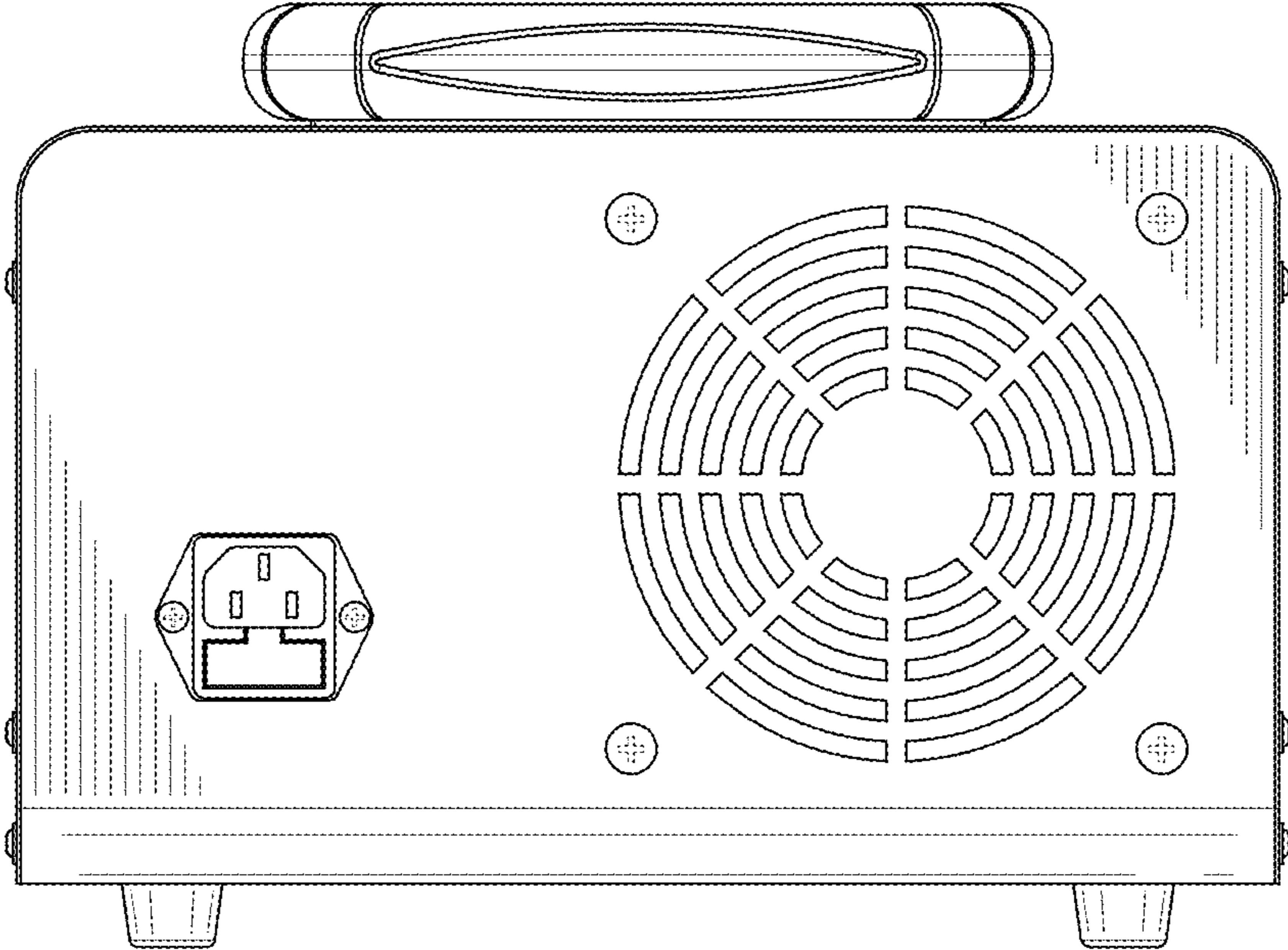


FIG. 4

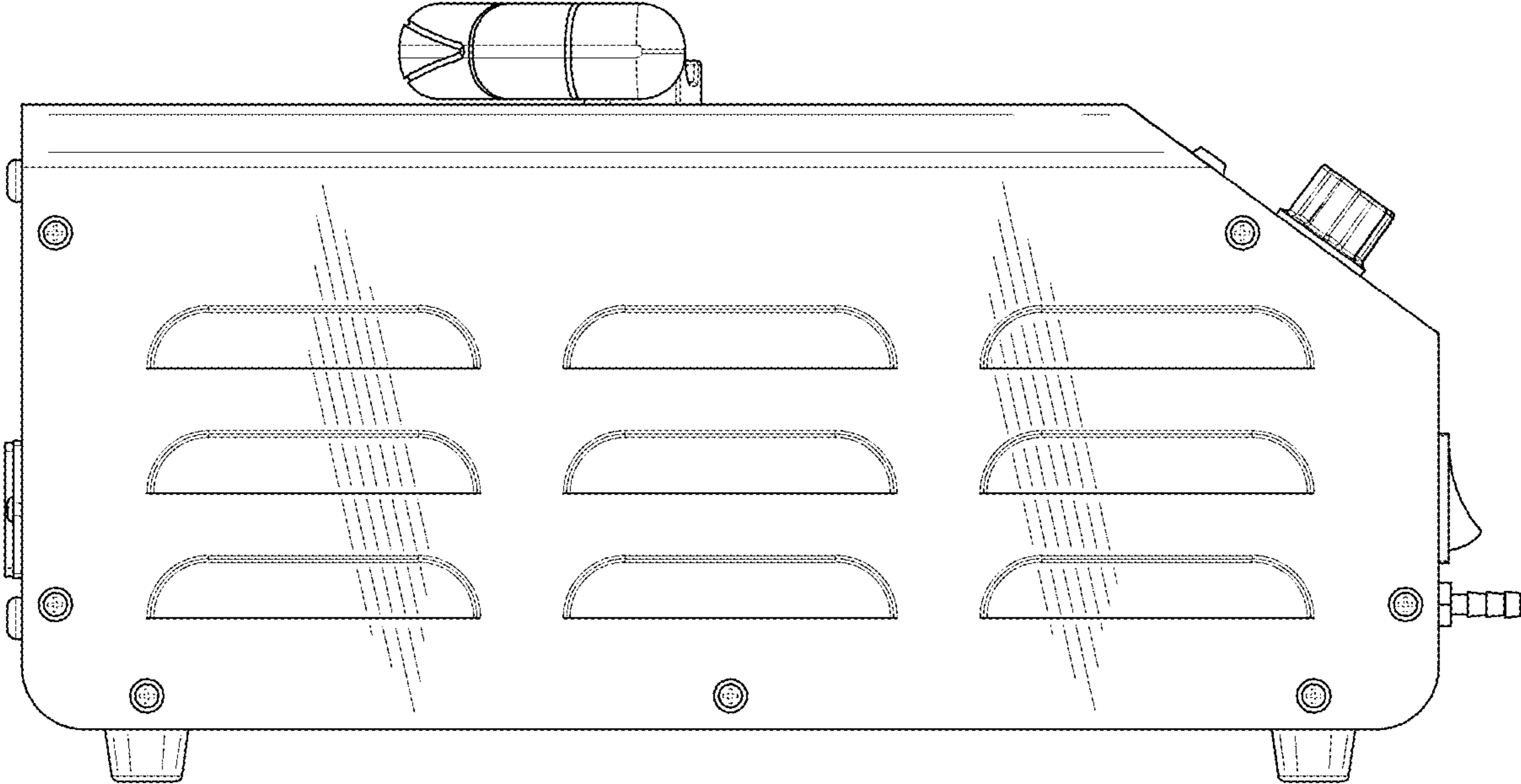


FIG.5

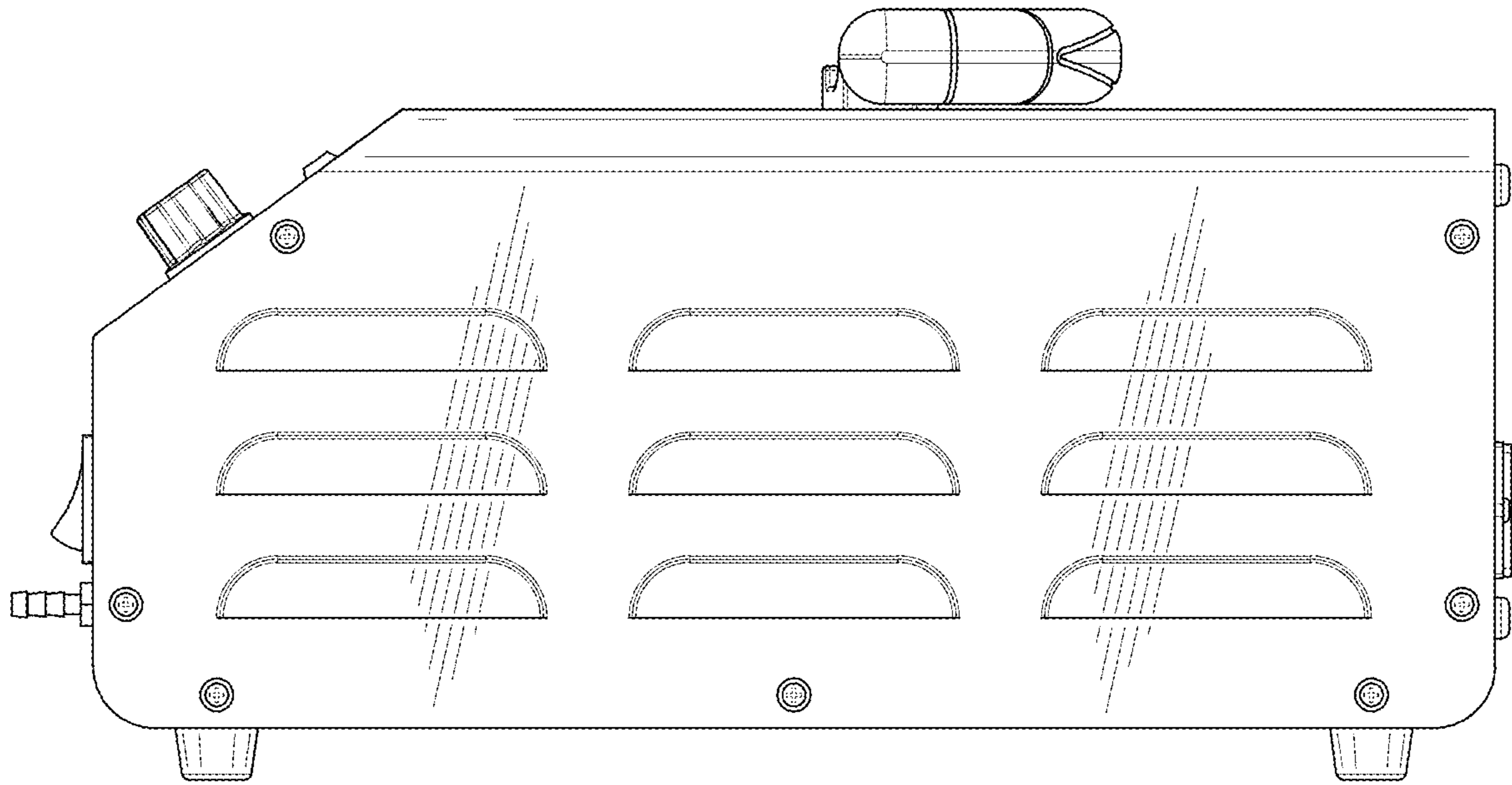


FIG. 6

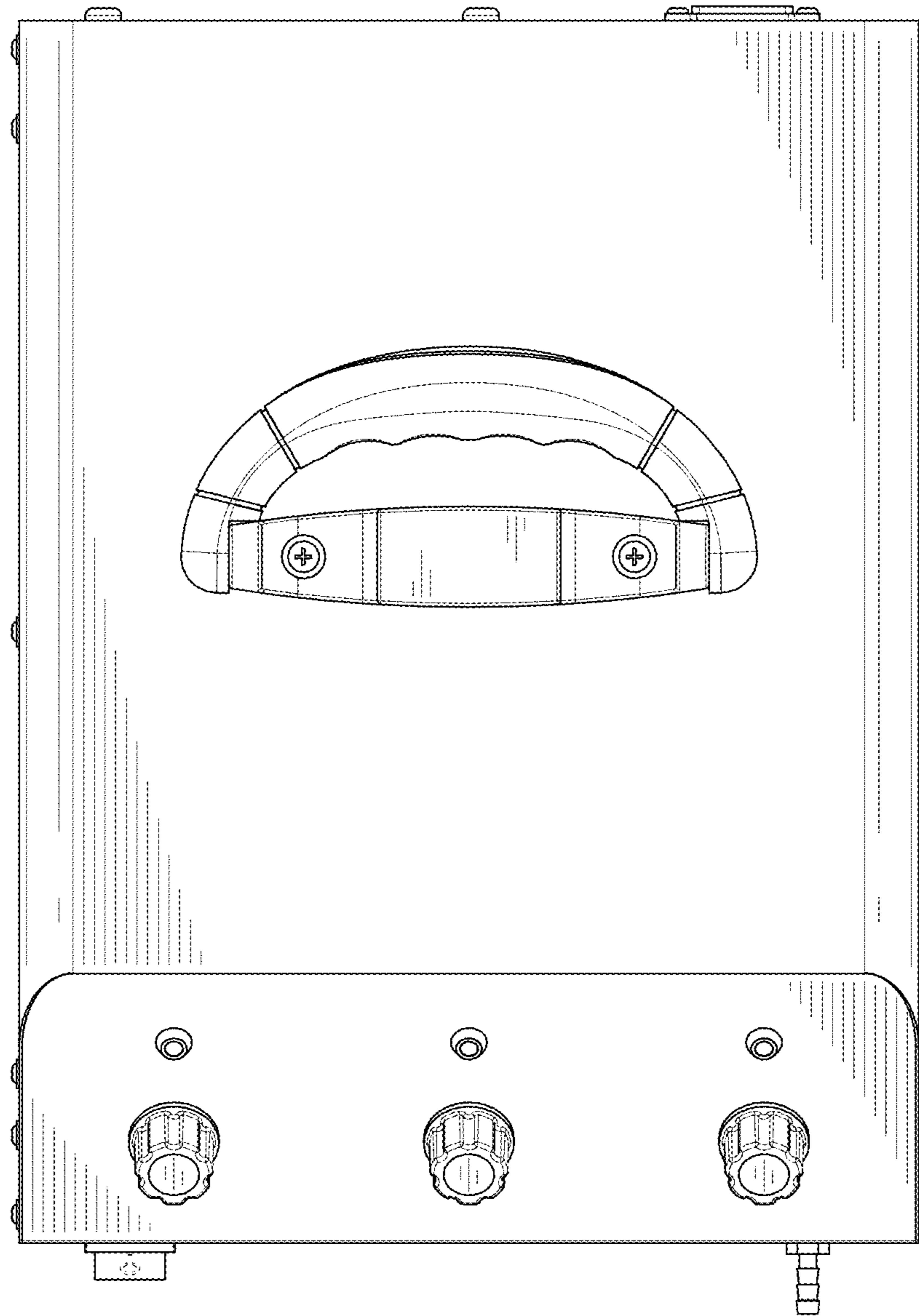


FIG. 7

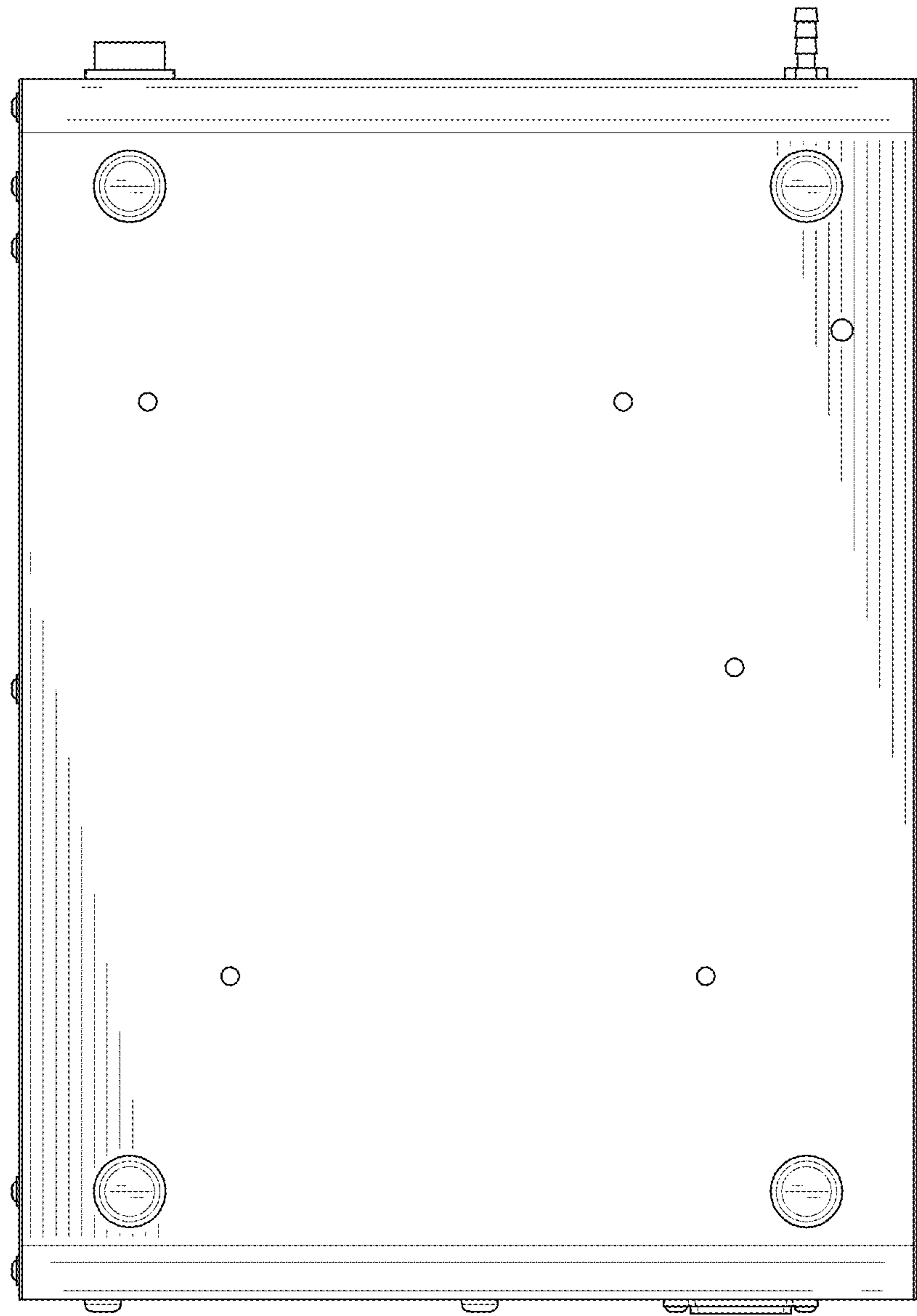


FIG. 8