

US00D970706S

(12) **United States Design Patent** (10) **Patent No.:** **US D970,706 S**
Chen et al. (45) **Date of Patent:** **** Nov. 22, 2022**

(54) **AIR PURIFIER**

(56) **References Cited**

(71) Applicant: **Healthlead Corporation Limited**,
Shenzhen (CN)

U.S. PATENT DOCUMENTS

(72) Inventors: **Yaogang Chen**, Shenzhen (CN);
Zhixue Zou, Shenzhen (CN);
Hongzeng Zhang, Shenzhen (CN)

D862,673 S *	10/2019	Tang	D23/364
D865,148 S *	10/2019	Yoon	D23/364
D898,889 S *	10/2020	Yu	D23/364
D918,371 S *	5/2021	Zeng	D23/364
D921,869 S *	6/2021	Han	D23/364
D928,298 S *	8/2021	Zuo	D23/364
D934,837 S *	11/2021	Huang	D14/214
D942,605 S *	2/2022	Yu	D23/364
D943,076 S *	2/2022	Yu	D23/364
D948,017 S *	4/2022	Chen	D23/364
D949,311 S *	4/2022	Yan	D23/364

(73) Assignee: **Healthlead Corporation Limited**,
Shenzhen (CN)

(**) Term: **15 Years**

* cited by examiner

(21) Appl. No.: **29/794,756**

Primary Examiner — Gino Colan

(22) Filed: **Jun. 15, 2021**

Assistant Examiner — David OBrien

(30) **Foreign Application Priority Data**

(74) *Attorney, Agent, or Firm* — Westbridge IP LLC

Apr. 16, 2021 (CN) 202130218734.8

(51) **LOC (13) Cl.** **23-04**

(57) **CLAIM**

The ornamental design for an air purifier, as shown and described.

(52) **U.S. Cl.**

USPC **D23/364**

DESCRIPTION

(58) **Field of Classification Search**

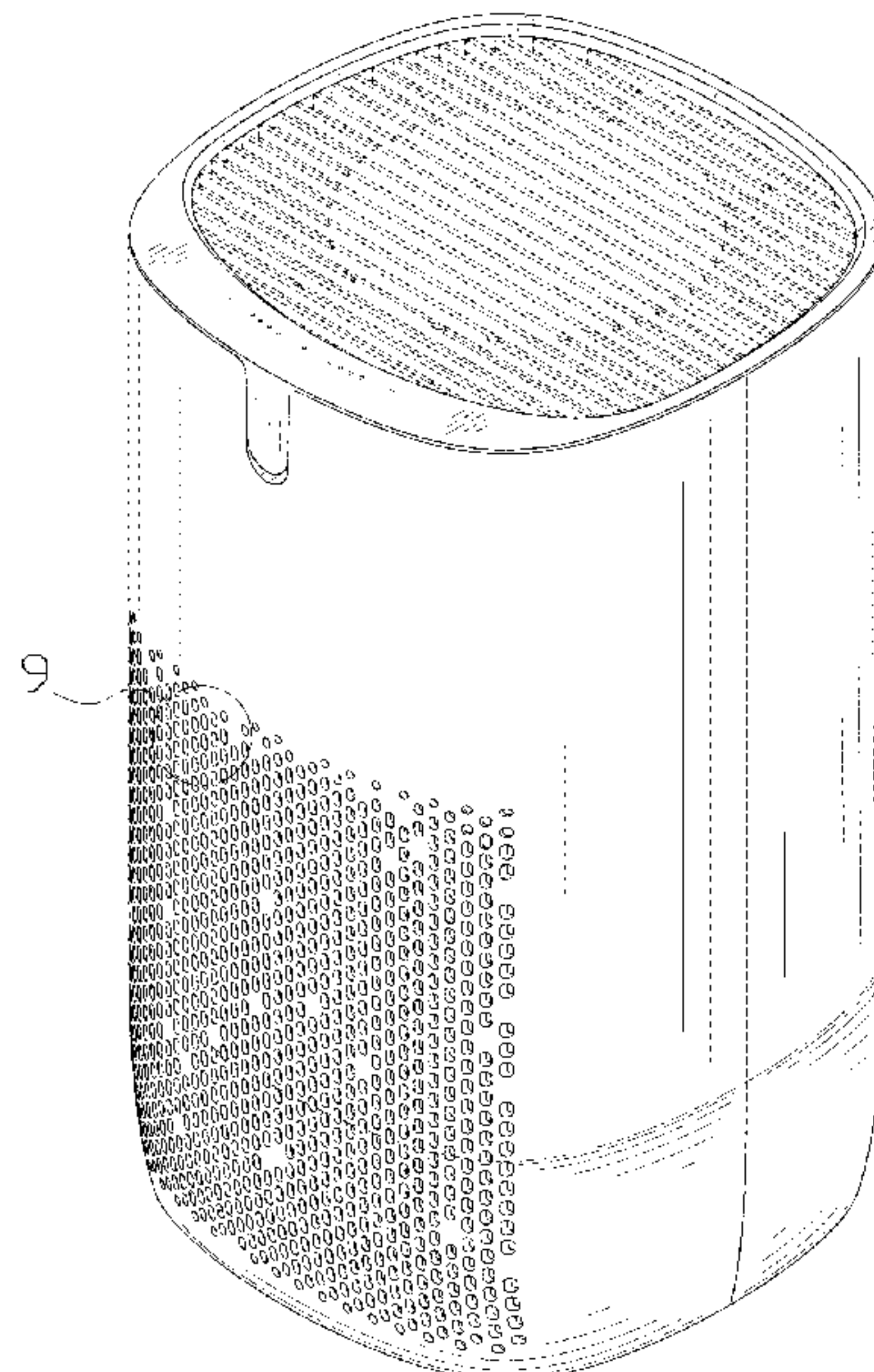
USPC D7/509, 510, 558; D11/143, 152;
D14/195, 204, 210, 216, 221, 228, 240,
D14/242, 314, 496; D23/207, 208, 209,
D23/213, 223, 333, 335, 336, 351, 352,
D23/353, 355, 356, 358, 359, 360, 362,
D23/364–366; D24/108, 112, 129;
D26/26, 37, 40, 46, 49; D6/708

CPC F24F 6/00; F24F 6/06; F24F 1/00; F24F
1/02; F24F 1/022; A61M 11/02; A61M
11/041; A61L 9/00; A61L 9/03; A61L
9/12; A61L 9/122; A61L 2209/11; A61L
2209/14; A61L 2209/133; Y10S 261/17;
Y10S 261/88; Y10S 261/89; B01D 46/10;
B01D 46/0005; B01D 46/2411

See application file for complete search history.

FIG. 1 is a top, front and right side perspective view of an air purifier showing our new design;
FIG. 2 is a bottom, rear and left side perspective view thereof;
FIG. 3 is a front elevation view thereof;
FIG. 4 is a rear elevation view thereof;
FIG. 5 is a left side elevation view thereof;
FIG. 6 is a right side elevation view thereof;
FIG. 7 is a top plan view thereof;
FIG. 8 is a bottom plan view thereof; and,
FIG. 9 is an enlarged view of portion 9 in FIG. 1.
The evenly broken lines in the drawings illustrate portions of the air purifier that form no part of the claim.

1 Claim, 9 Drawing Sheets



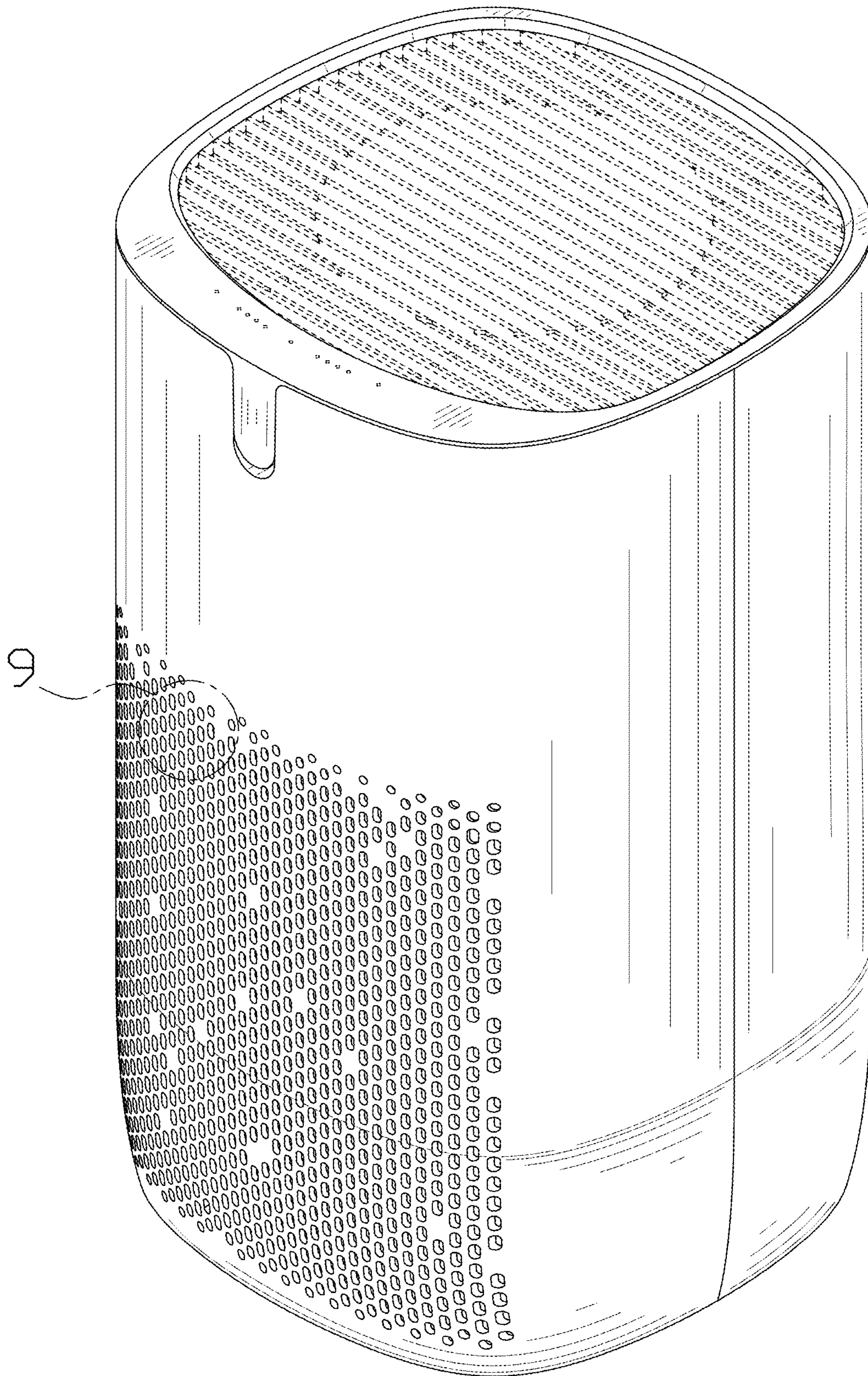


FIG. 1

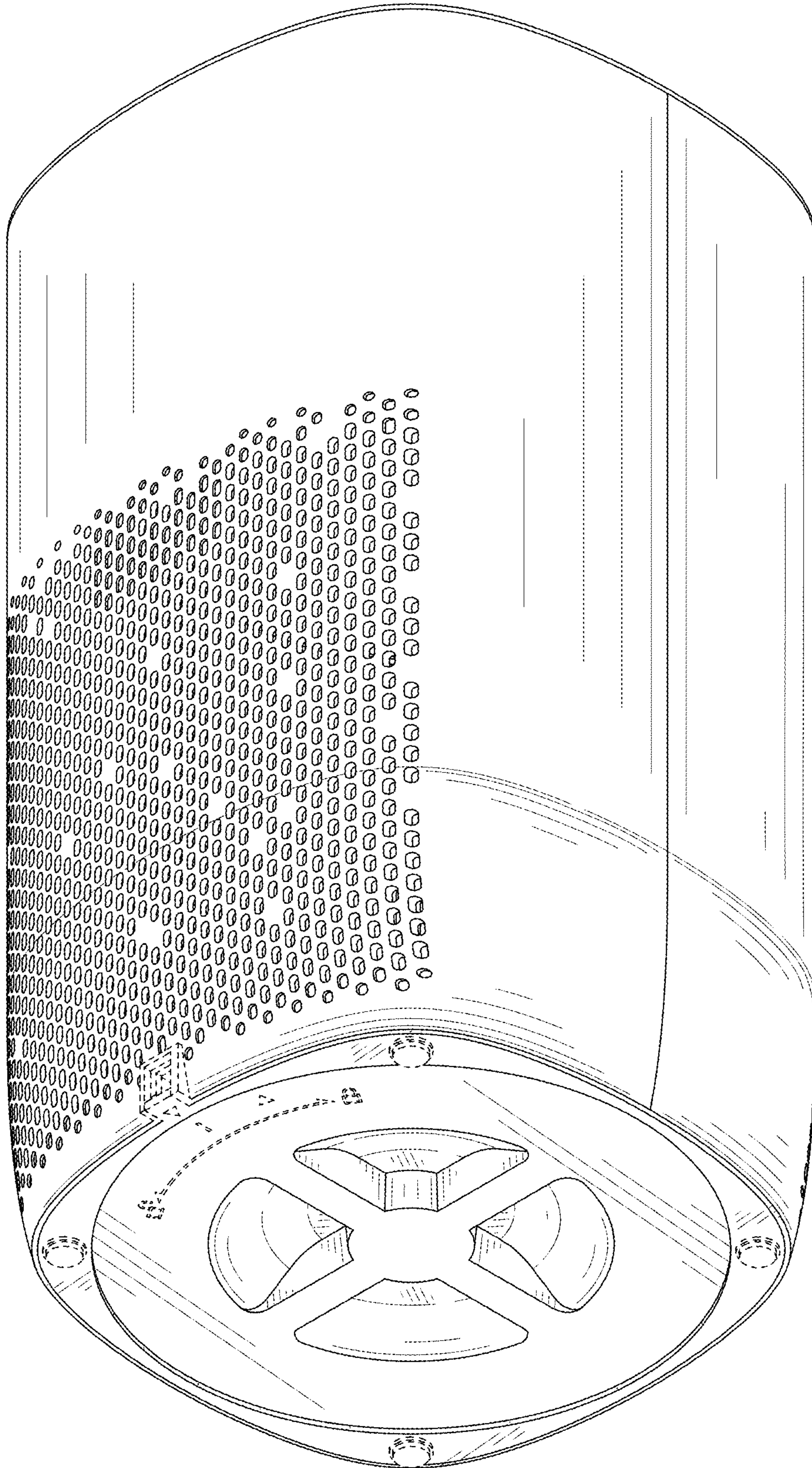


FIG. 2

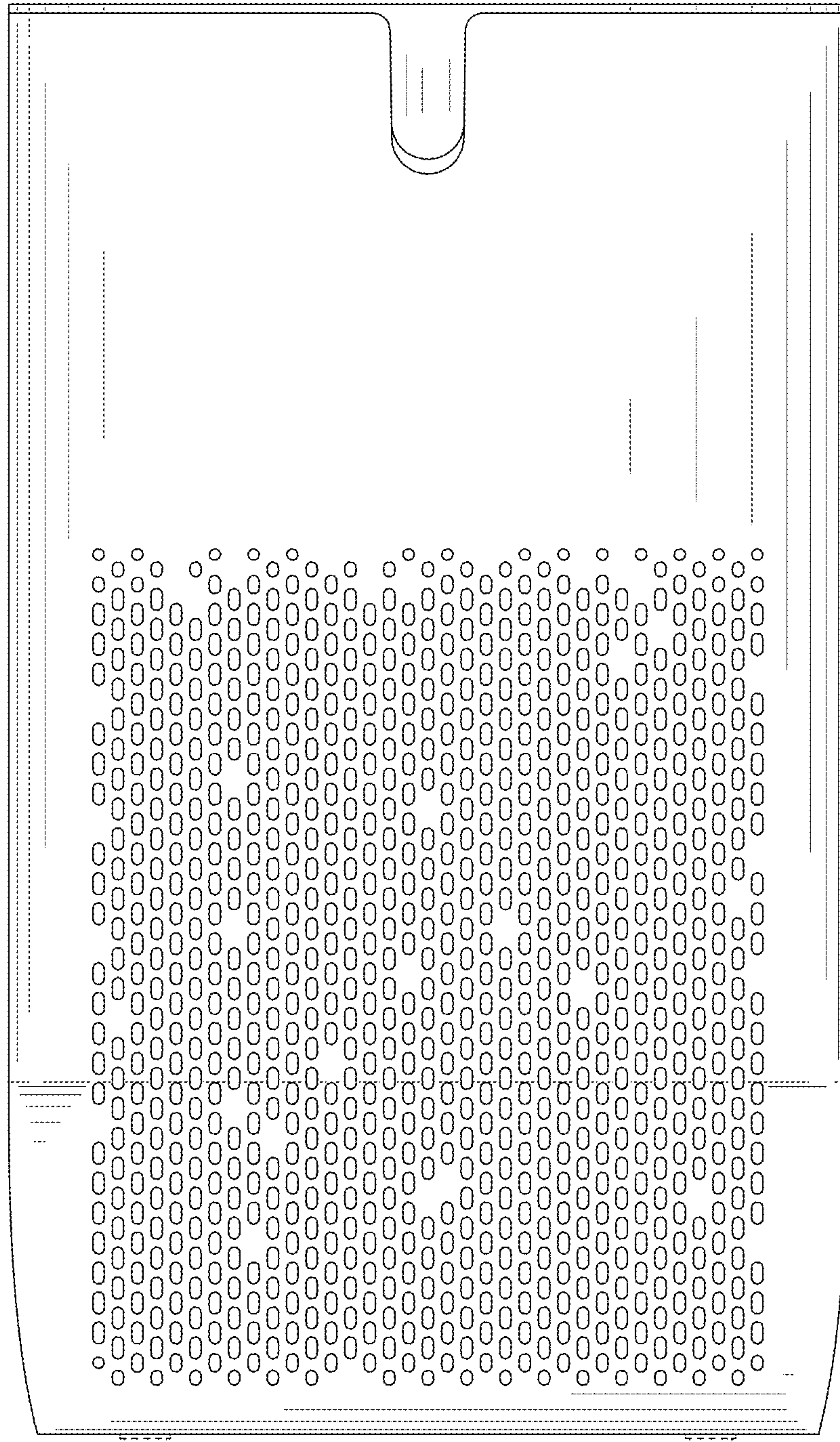


FIG. 3

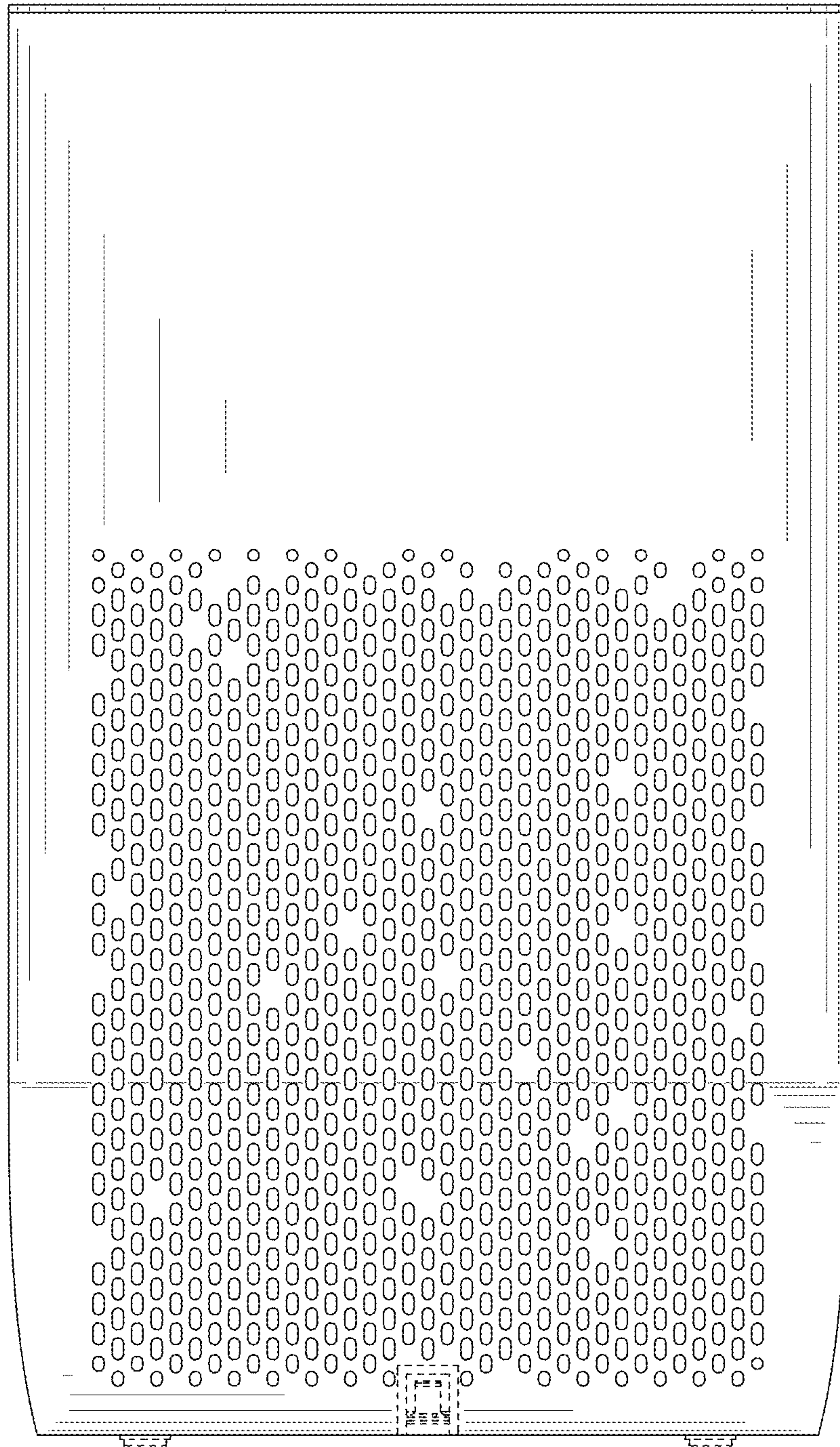


FIG. 4

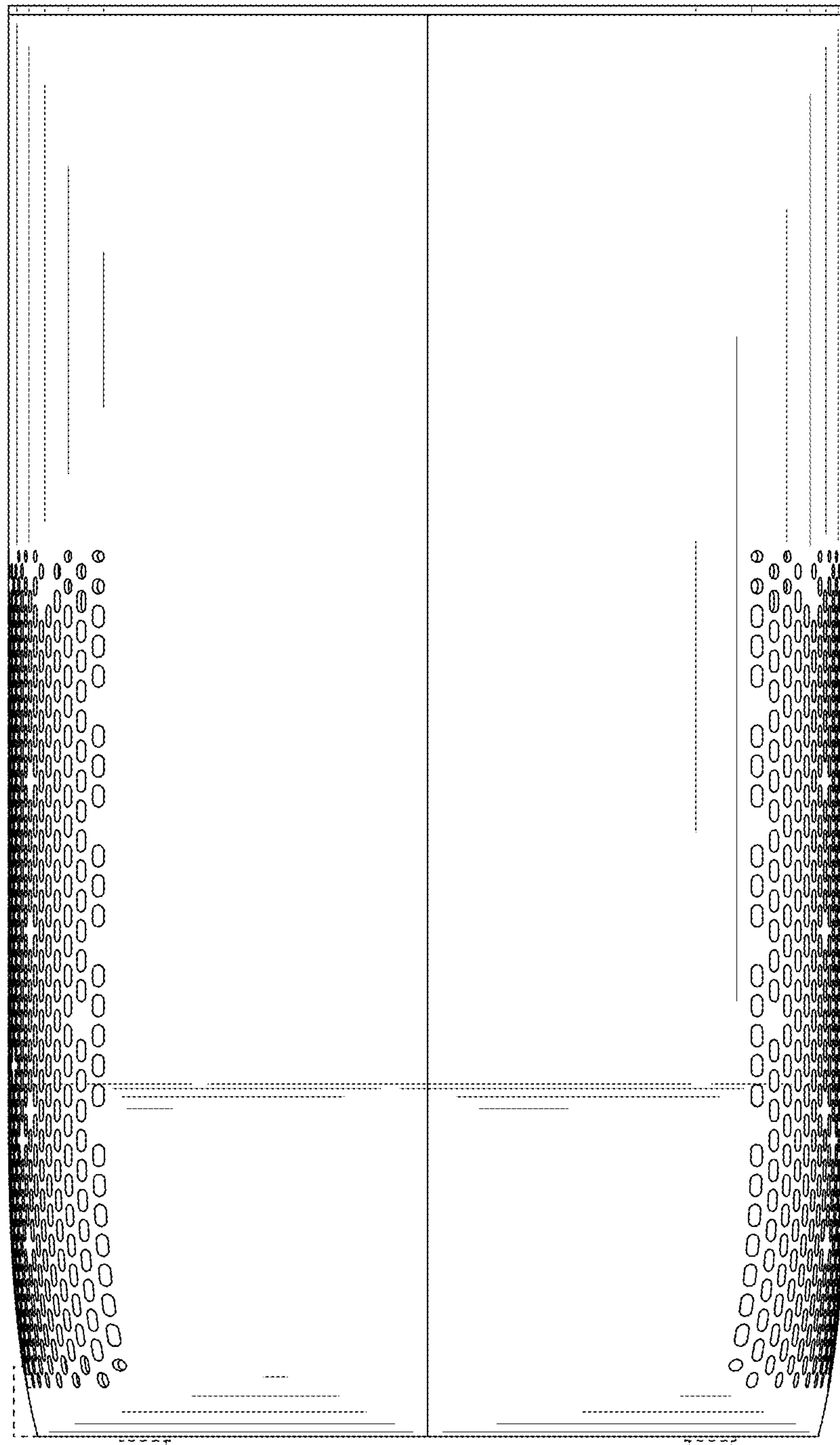


FIG. 5

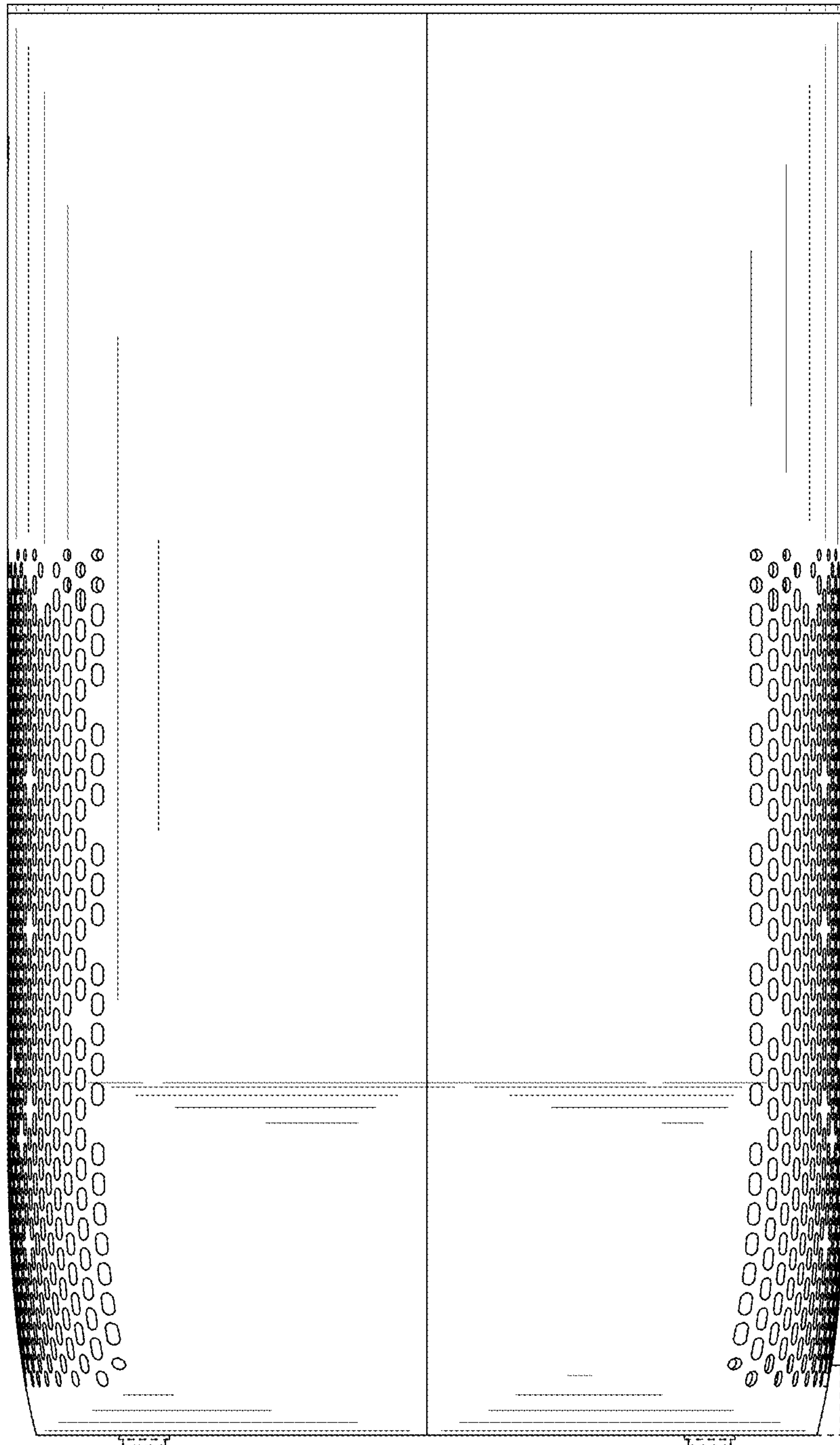


FIG. 6

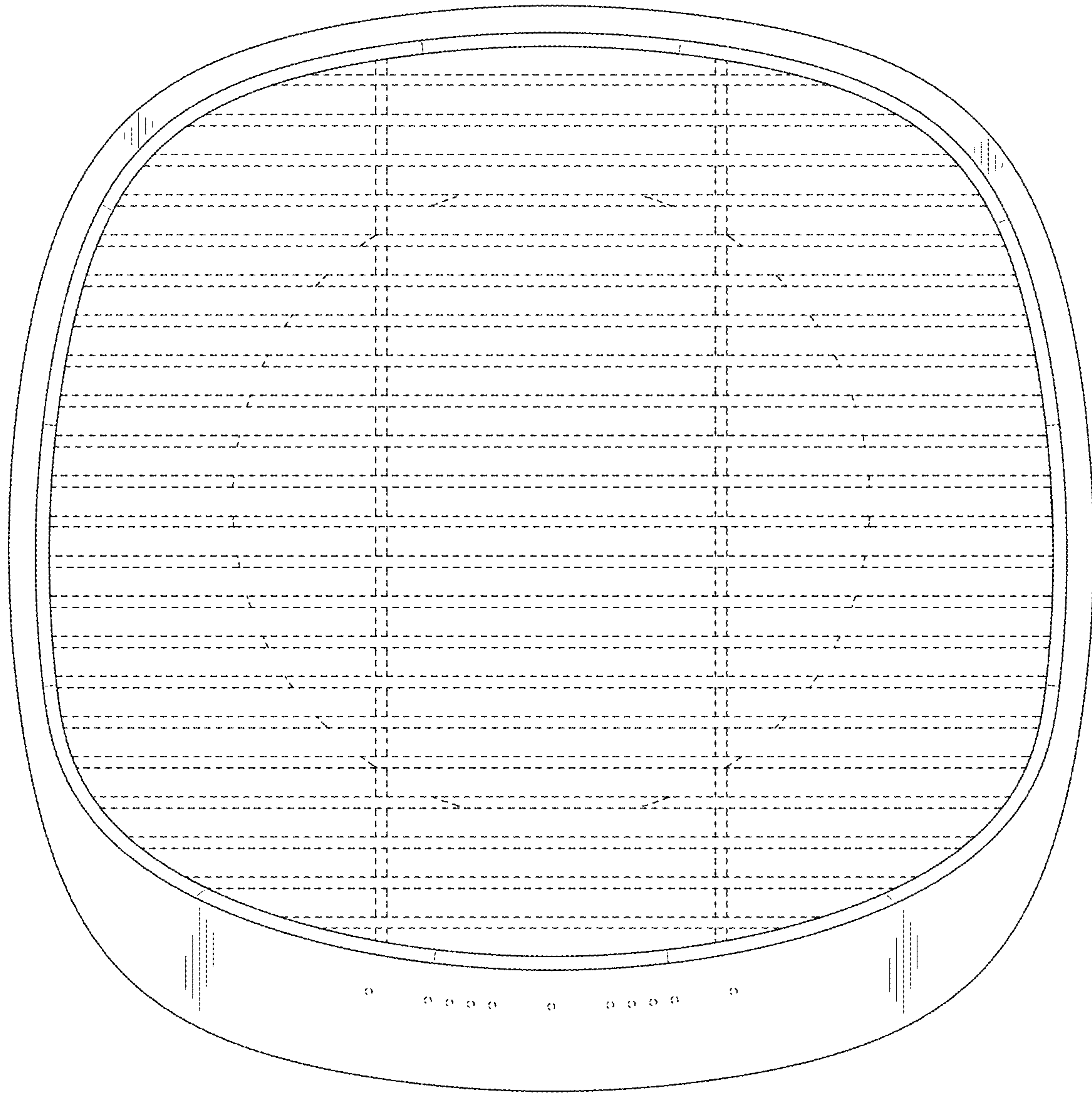


FIG. 7

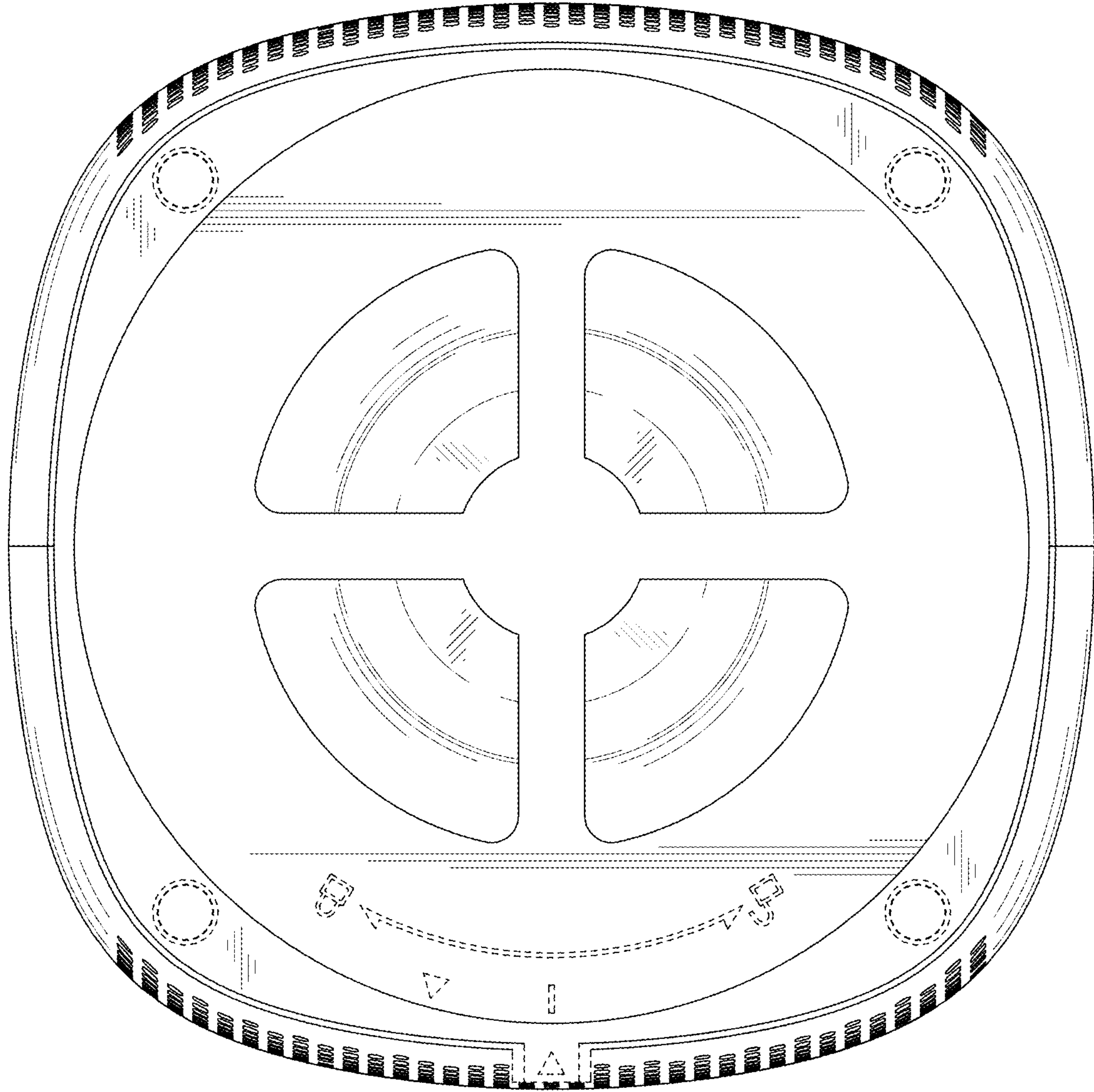


FIG. 8

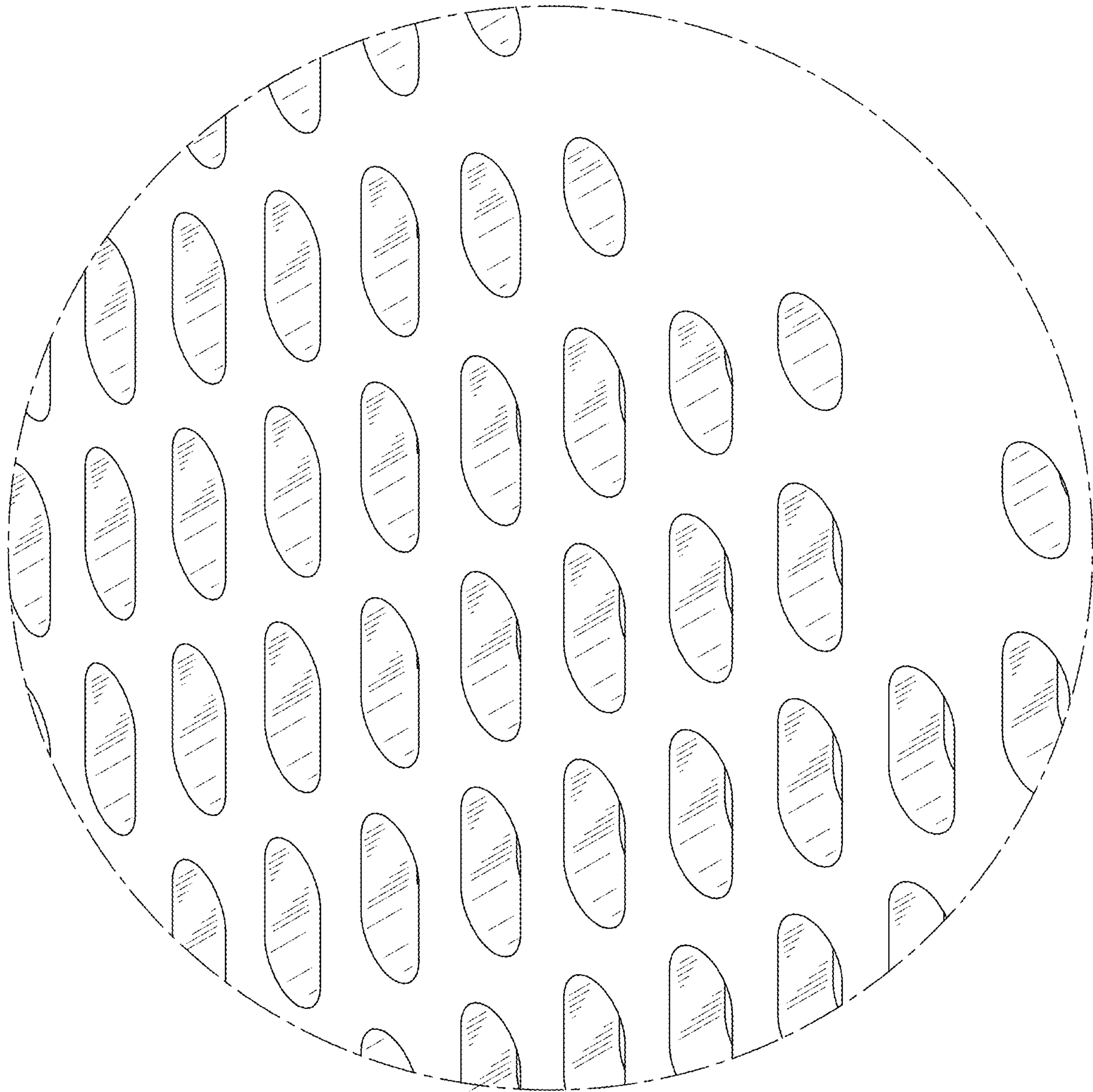


FIG. 9