

US00D970705S

(12) **United States Design Patent** (10) **Patent No.:** **US D970,705 S**  
**Qiu** (45) **Date of Patent:** **\*\* Nov. 22, 2022**

(54) **WASH BASIN**

(74) *Attorney, Agent, or Firm* — True Shepherd, LLC;  
Andrew Cheng

(71) Applicant: **SHENZHEN DINGYOU NETWORK TECHNOLOGY CO., LTD.**, Shenzhen (CN)

(72) Inventor: **Yinlei Qiu**, Shenzhen (CN)

(57) **CLAIM**

The ornamental design for a wash basin, as shown and described.

(73) Assignee: **SHENZHEN DINGYOU NETWORK TECHNOLOGY CO., LTD.**, Shenzhen (CN)

(\*\*) Term: **15 Years**

**DESCRIPTION**

(21) Appl. No.: **29/836,073**

FIG. 1 is a front, right and top perspective view of a wash basin showing my design.

(22) Filed: **Apr. 24, 2022**

FIG. 2 is a front, right and top perspective view of the basin of the wash basin in FIG. 1.

(51) **LOC (13) Cl.** ..... **23-02**

FIG. 3 is a rear, left and bottom perspective view of the basin of FIG. 2.

(52) **U.S. Cl.**  
USPC ..... **D23/287**

FIG. 4 is a front elevation view of the basin of FIG. 2.

(58) **Field of Classification Search**  
USPC ..... D23/284, 293.1, 308  
See application file for complete search history.

FIG. 5 is a rear elevation view of the basin of FIG. 2.

FIG. 6 is a left side elevation view of the basin of FIG. 2.

FIG. 7 is a right side elevation view of the basin of FIG. 2.

FIG. 8 is a top plan view of the basin of FIG. 2.

FIG. 9 is a bottom plan view of the basin of FIG. 2.

(56) **References Cited**

**U.S. PATENT DOCUMENTS**

D560,773 S *	1/2008	Kitzmler	.....	D23/289
9,783,967 B2 *	10/2017	Jain	.....	E03C 1/18
D811,559 S	2/2018	Schoenherr et al.		
D849,893 S *	5/2019	Chen	.....	D23/287
10,813,504 B2 *	10/2020	Harding	.....	E03C 1/18
D911,499 S *	2/2021	Chong	.....	E03C 1/04
				D23/284
D939,065 S	12/2021	Holzmann et al.		
D951,572 S *	5/2022	Schlütter	.....	D32/55
2010/0275369 A1 *	11/2010	Eilmus	.....	A47J 47/005
				4/631

FIG. 10 is a front, right and top perspective view of the basket of the wash basin in FIG. 1.

FIG. 11 is a rear, left and bottom perspective view of the basket of FIG. 10.

FIG. 12 is a front elevation view of the basket of FIG. 10.

FIG. 13 is a rear elevation view of the basket of FIG. 10.

FIG. 14 is a left side elevation view of the basket of FIG. 10.

FIG. 15 is a right side elevation view of the basket of FIG. 10.

FIG. 16 is a top plan view of the basket of FIG. 10; and,

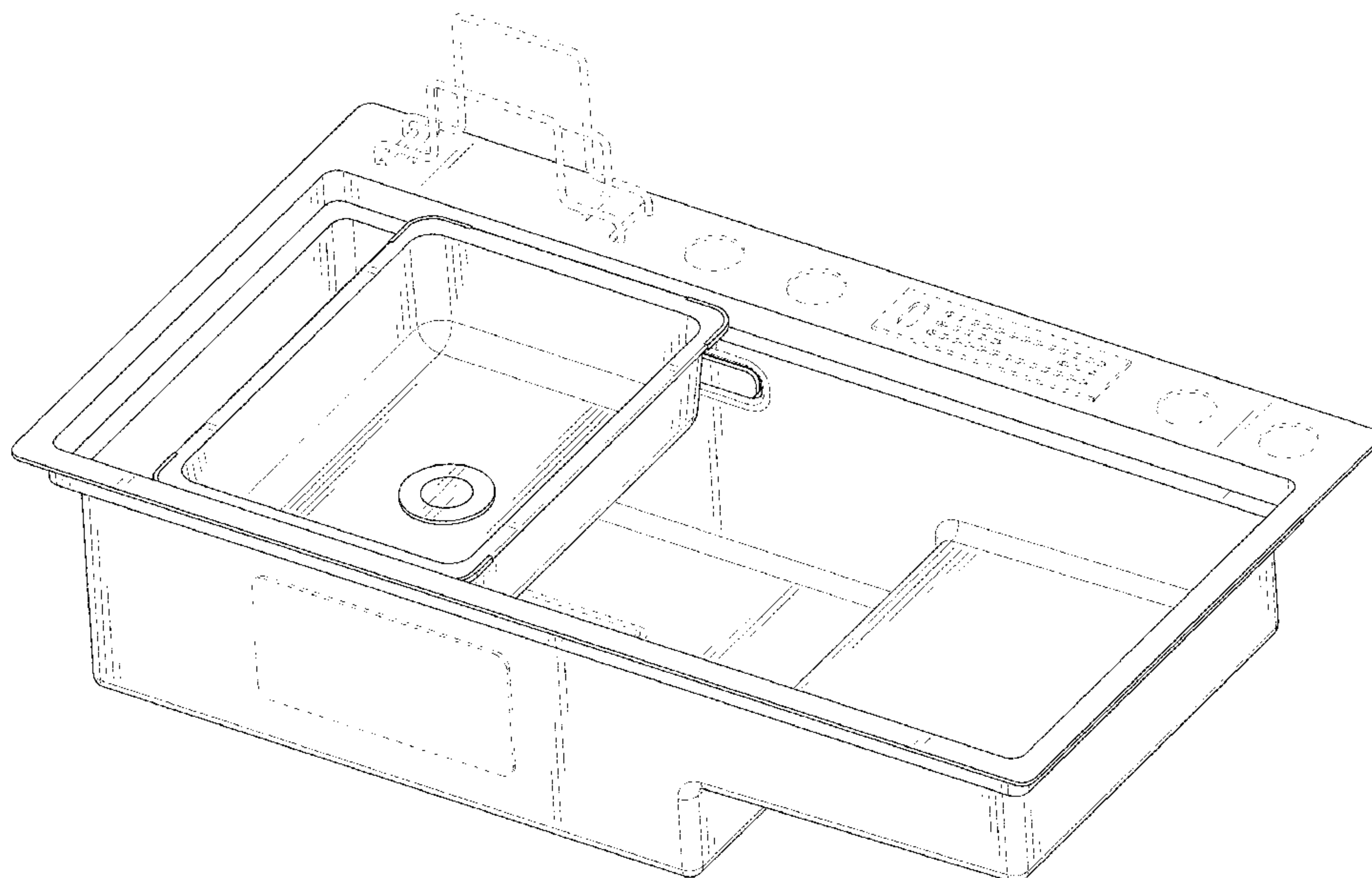
FIG. 17 is a bottom plan view of the basket of FIG. 10.

The broken lines shown in the drawings are included for the purpose of illustrating portions of the wash basin that form no part of the claimed design.

\* cited by examiner

*Primary Examiner* — Robert A Delehanty

**1 Claim, 17 Drawing Sheets**



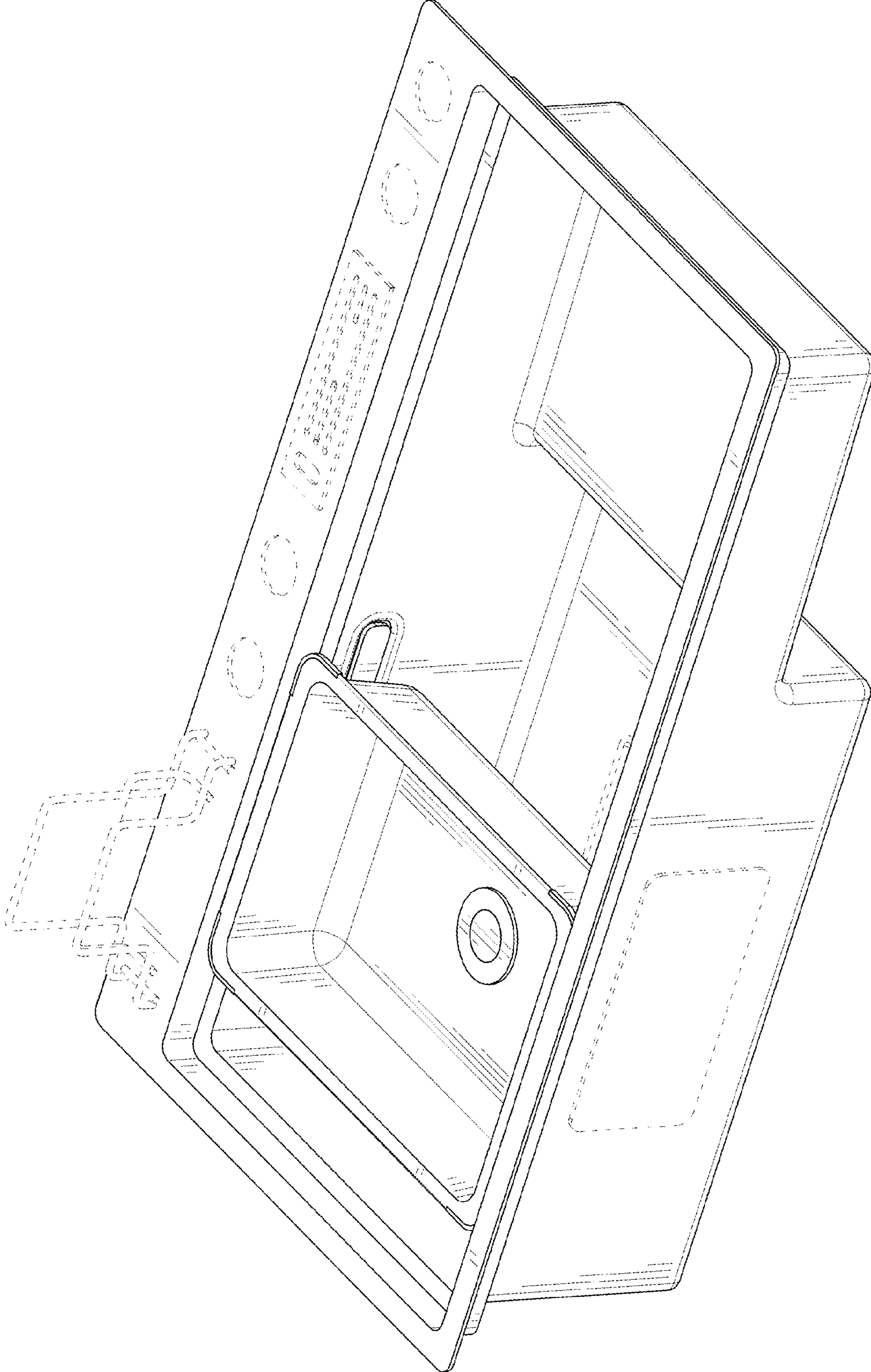


FIG. 1

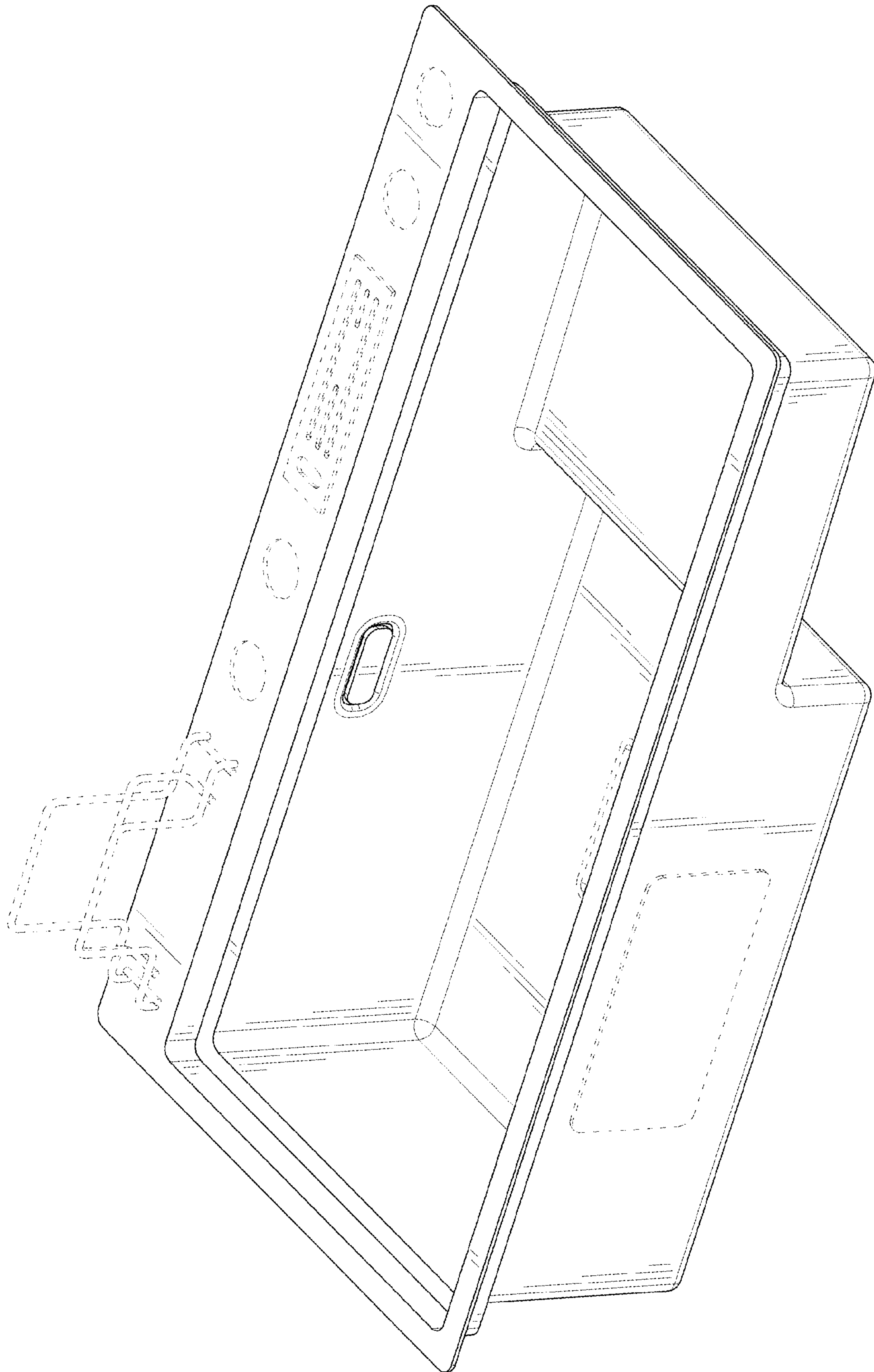


FIG. 2



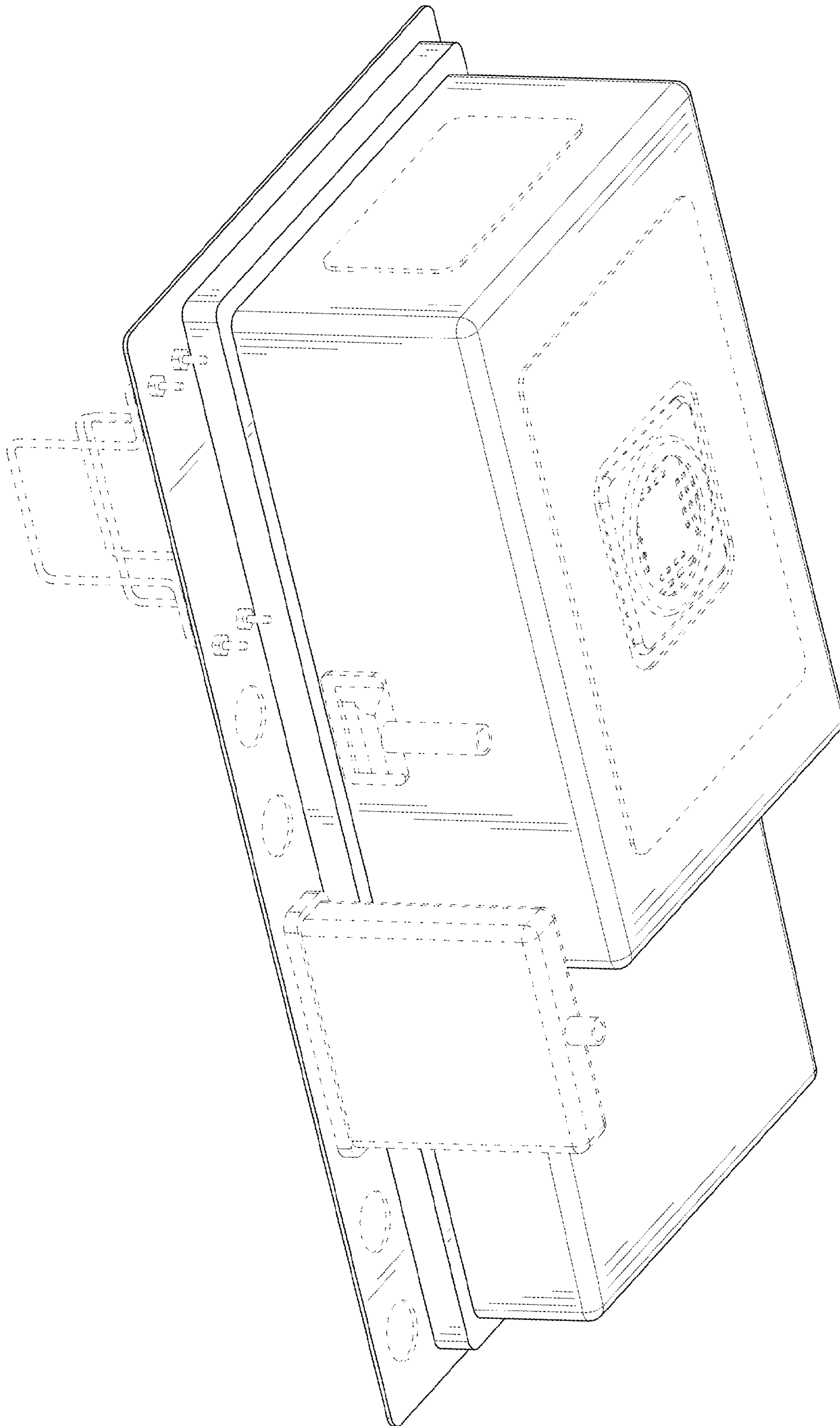


FIG. 3

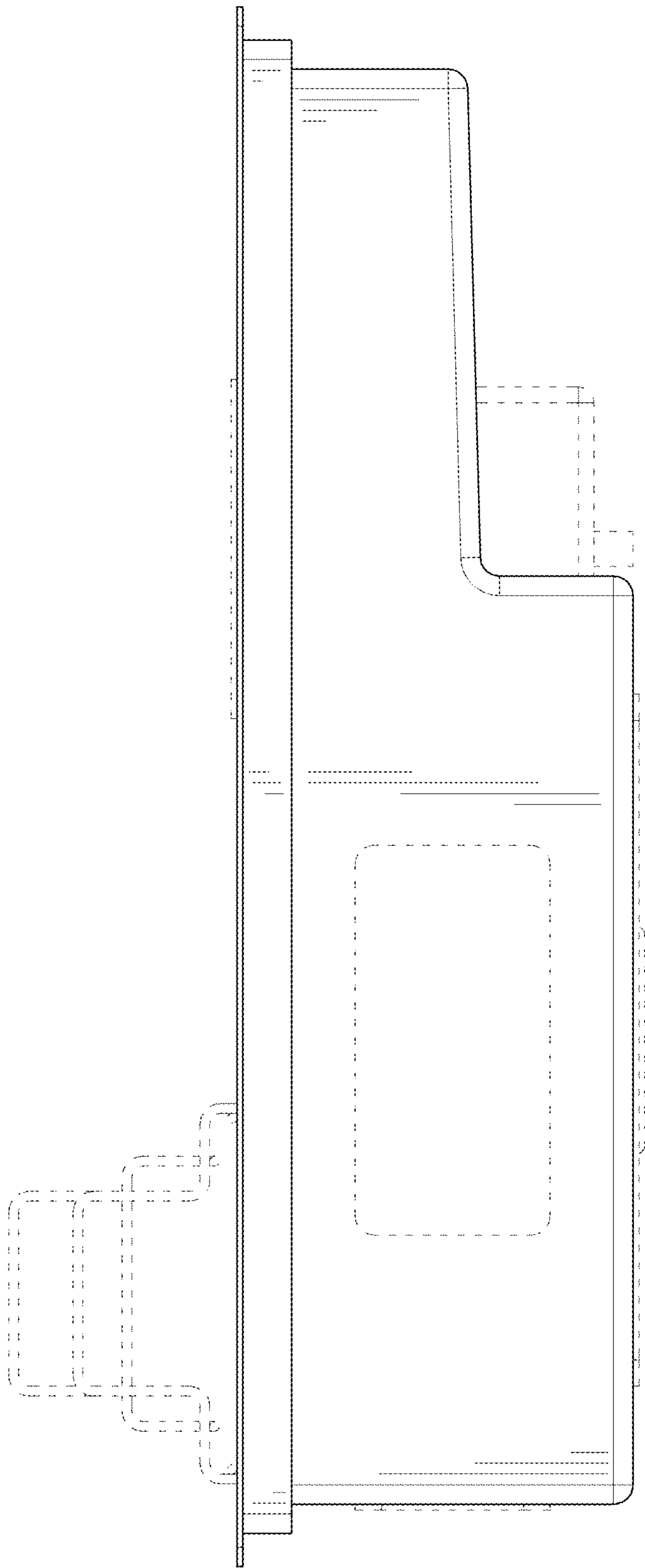


FIG. 4

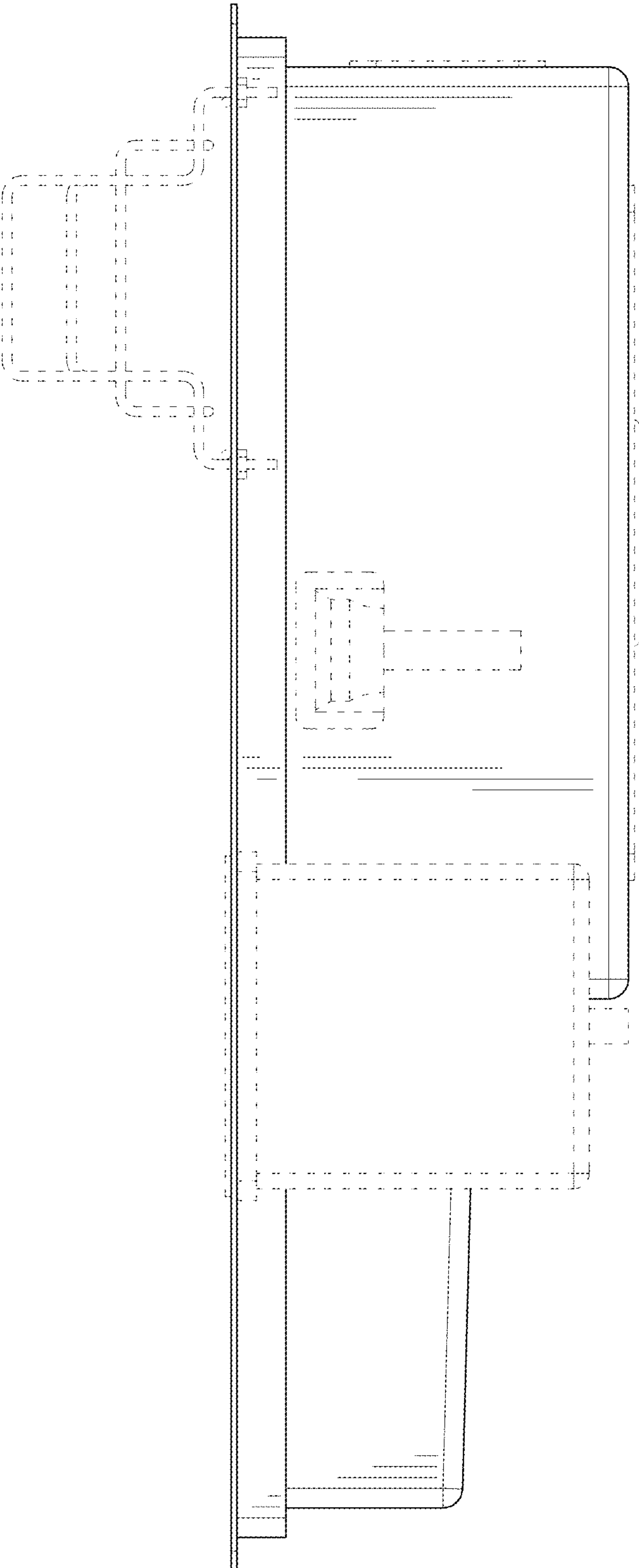


FIG. 5

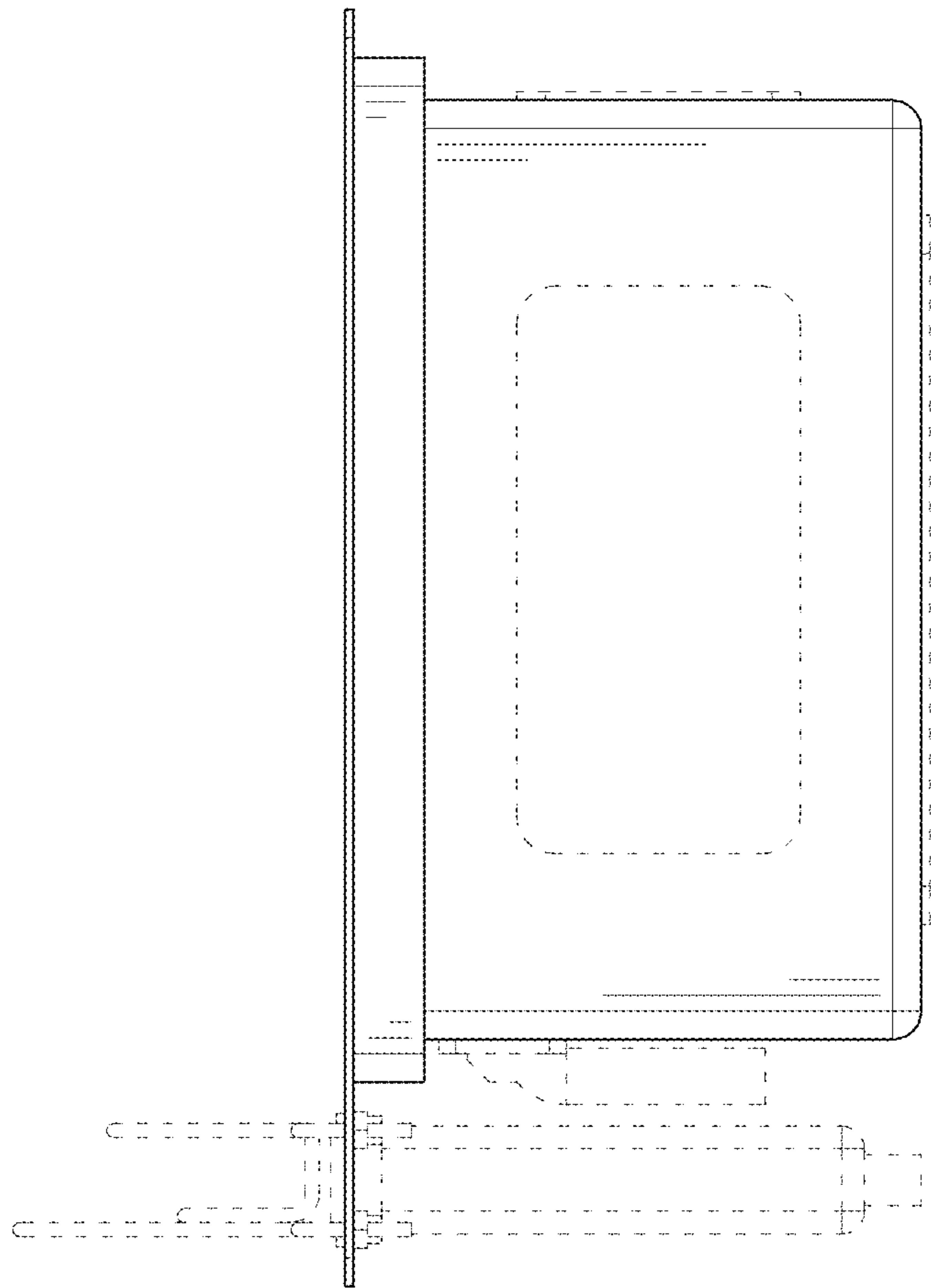


FIG. 6

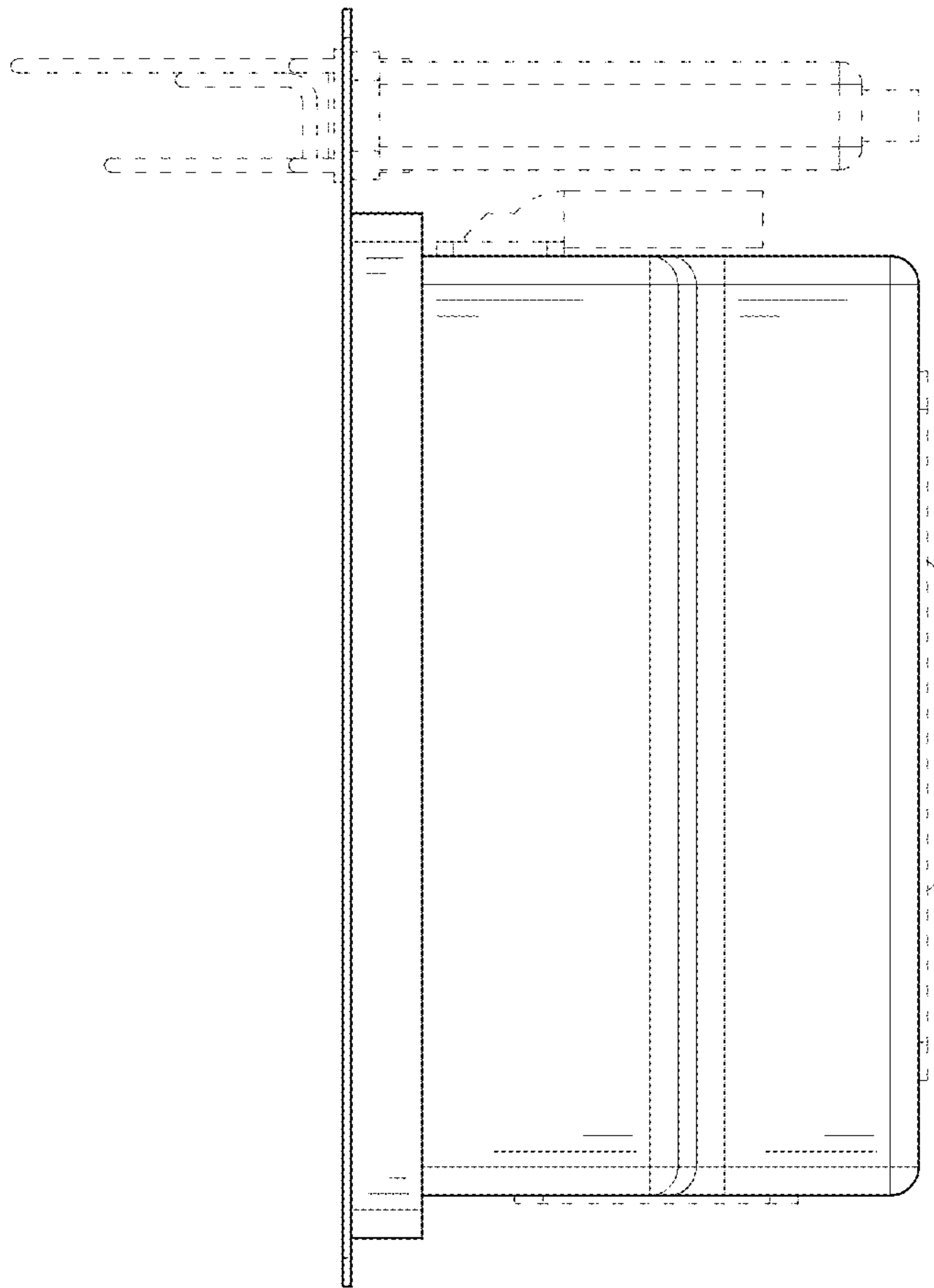


FIG. 7



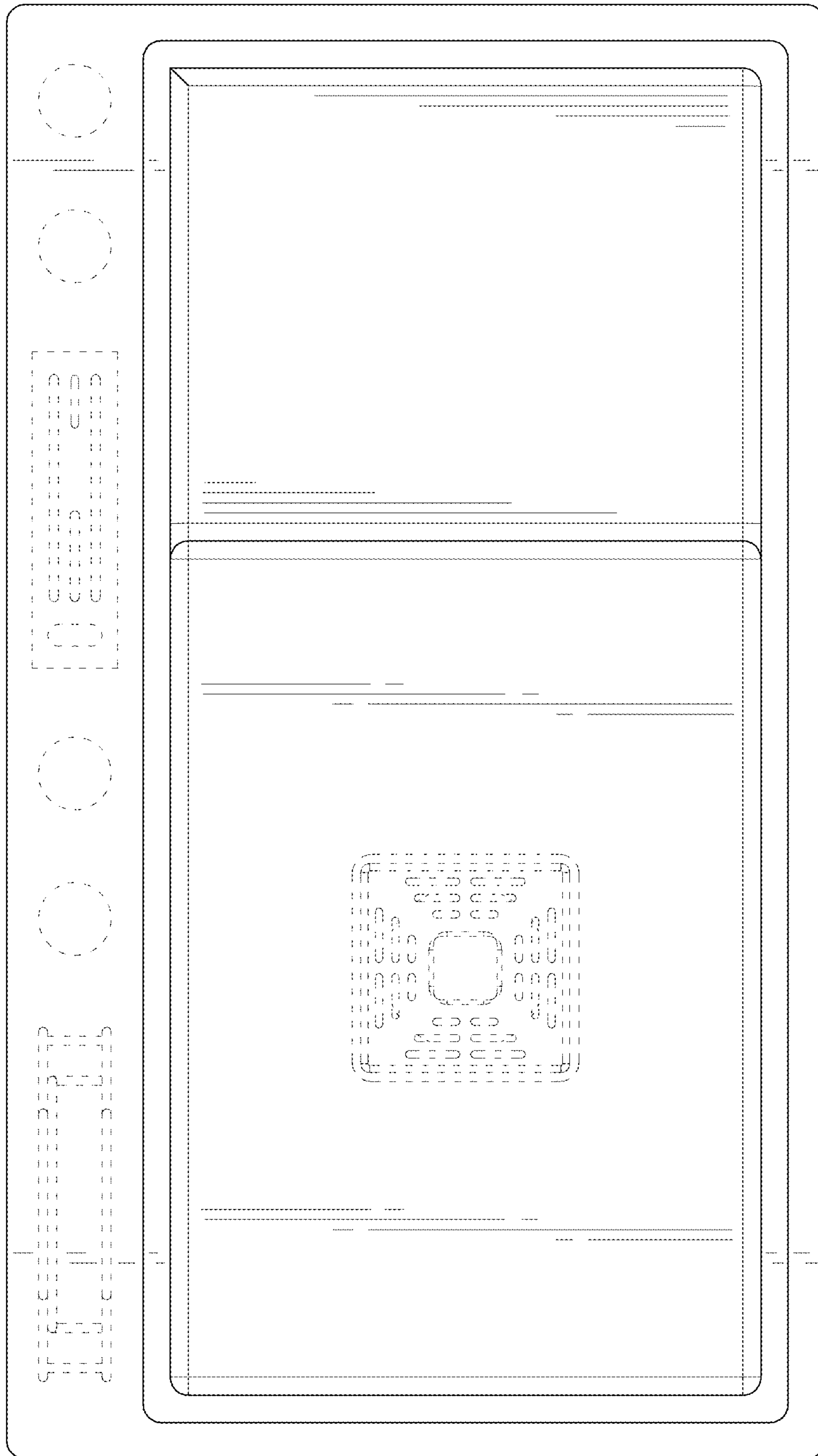


FIG. 8

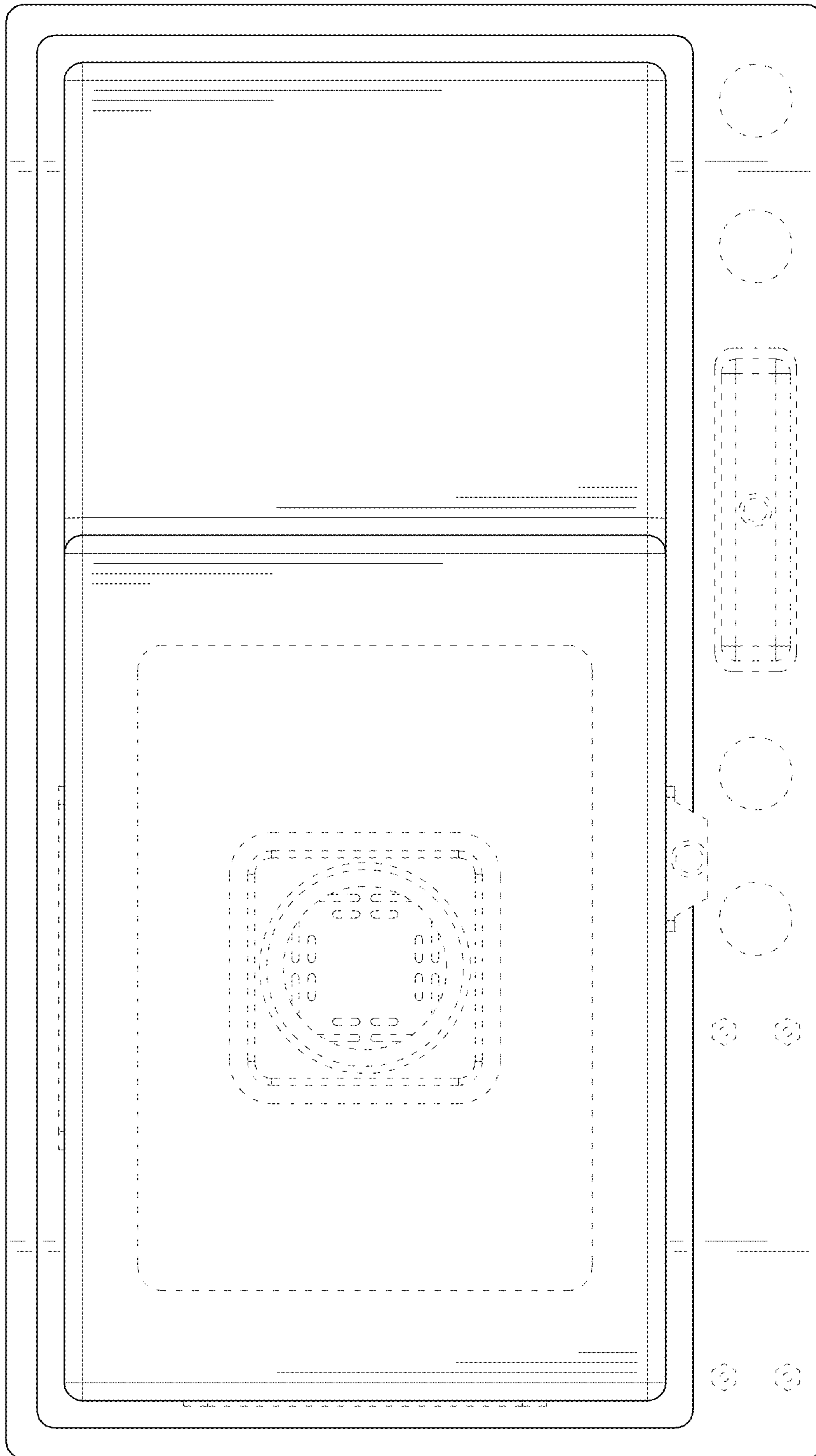


FIG. 9

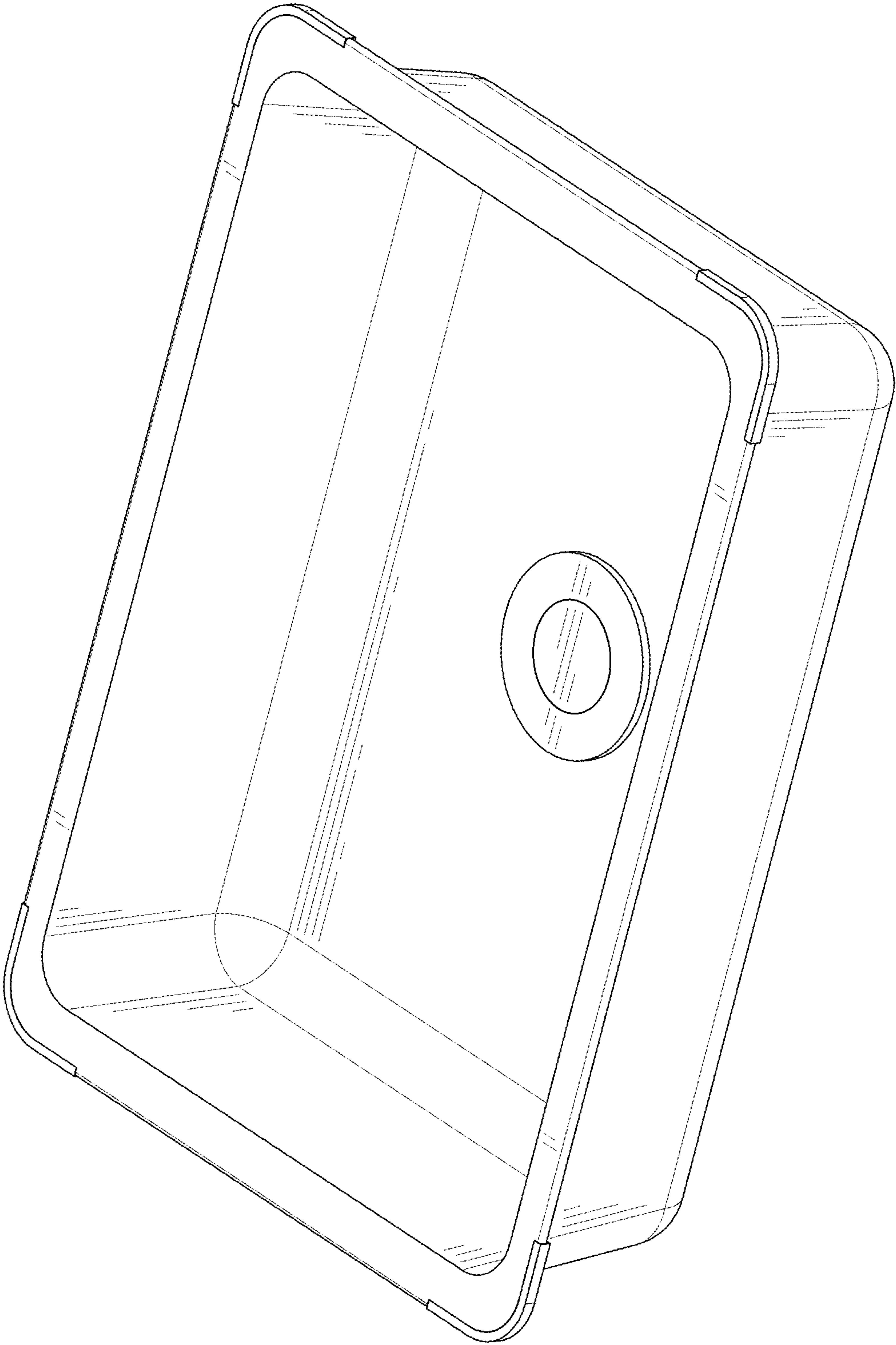


FIG. 10

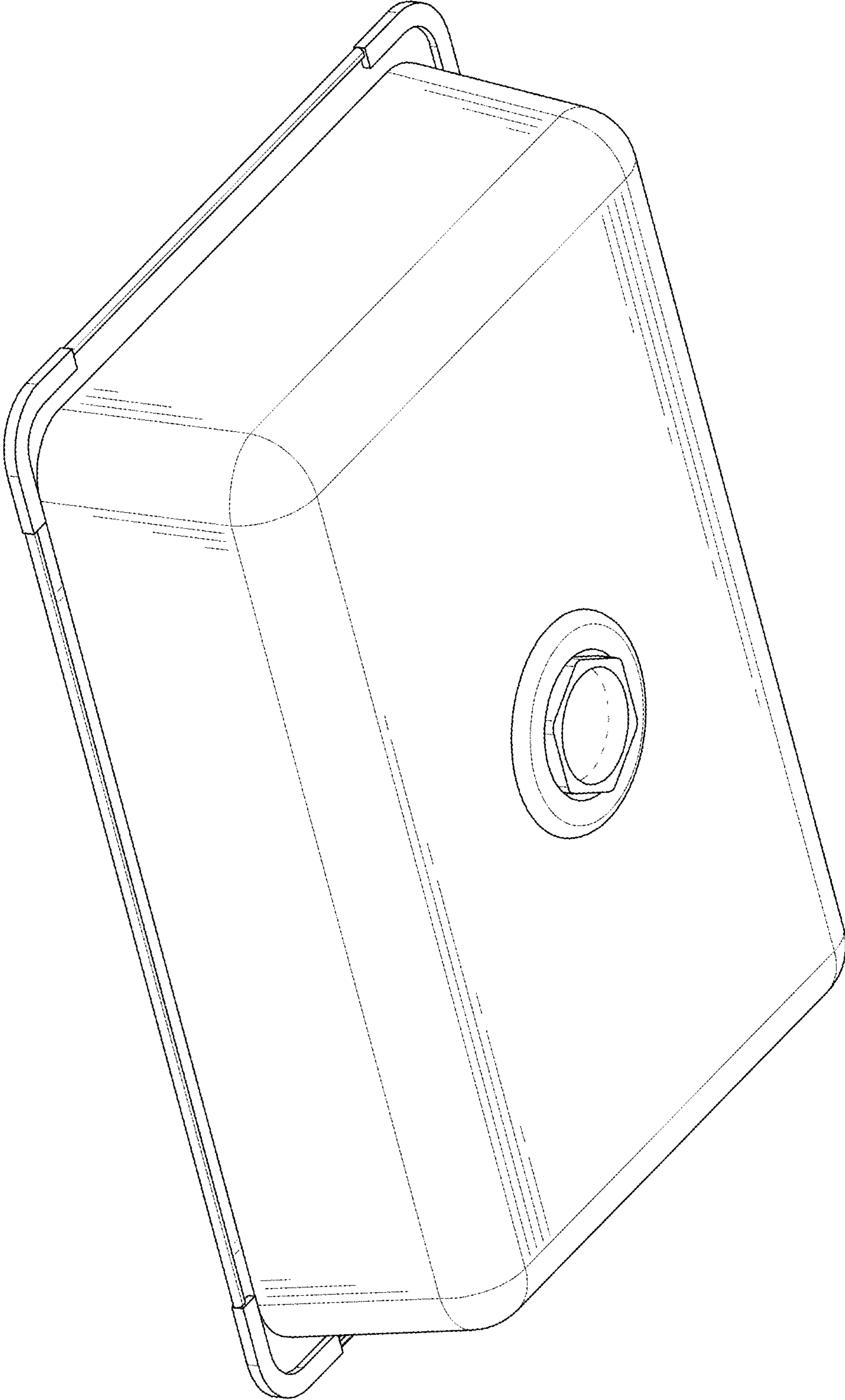


FIG. 11

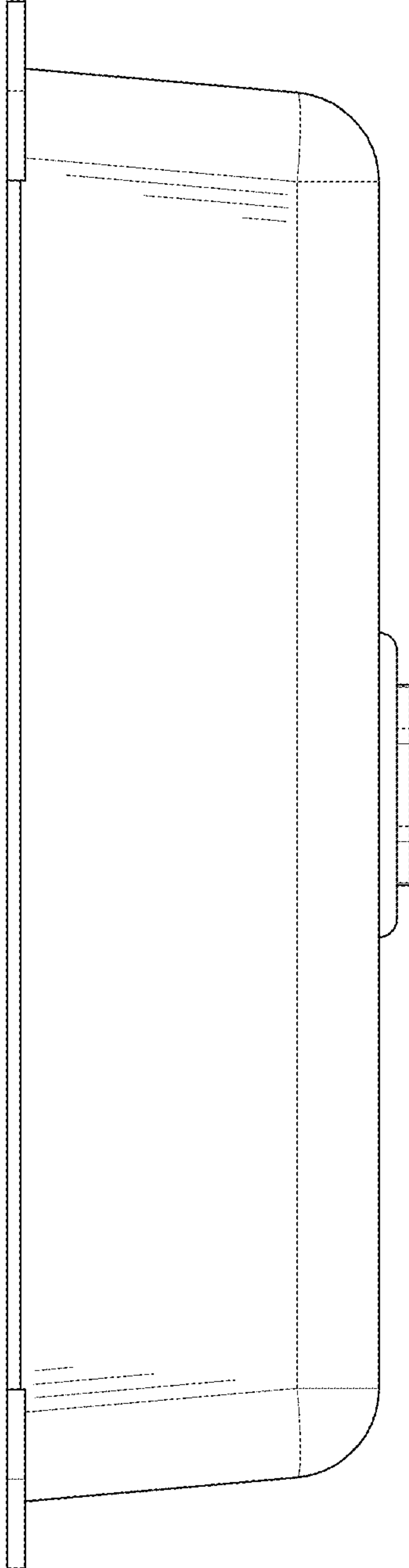


FIG. 12



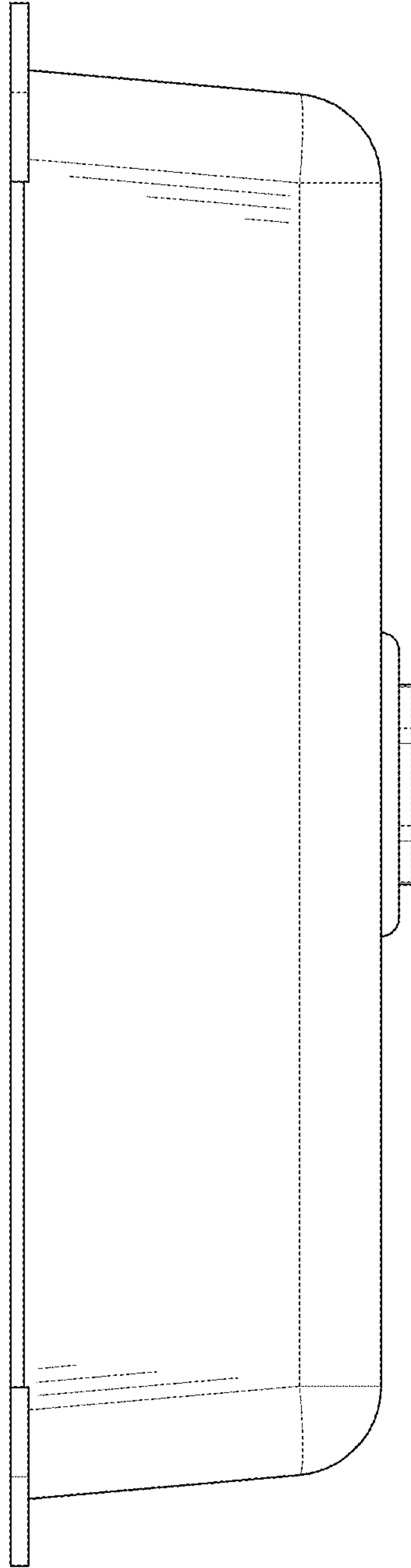


FIG. 13

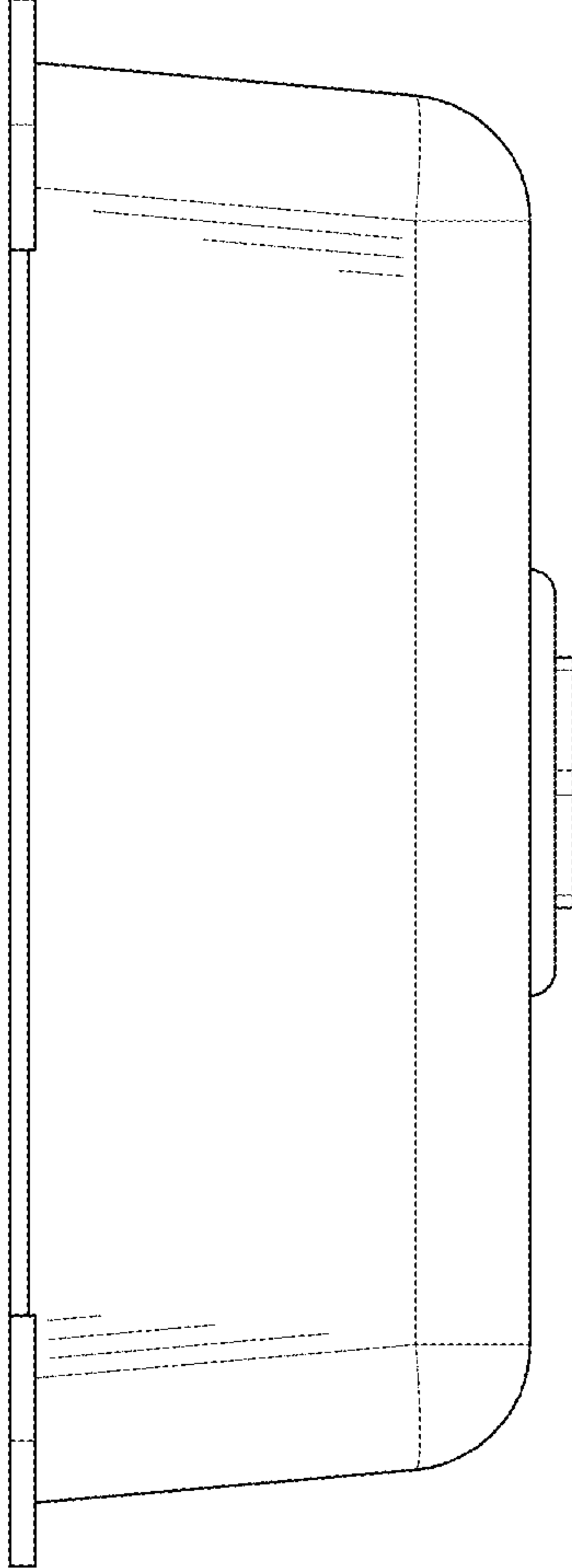


FIG. 14

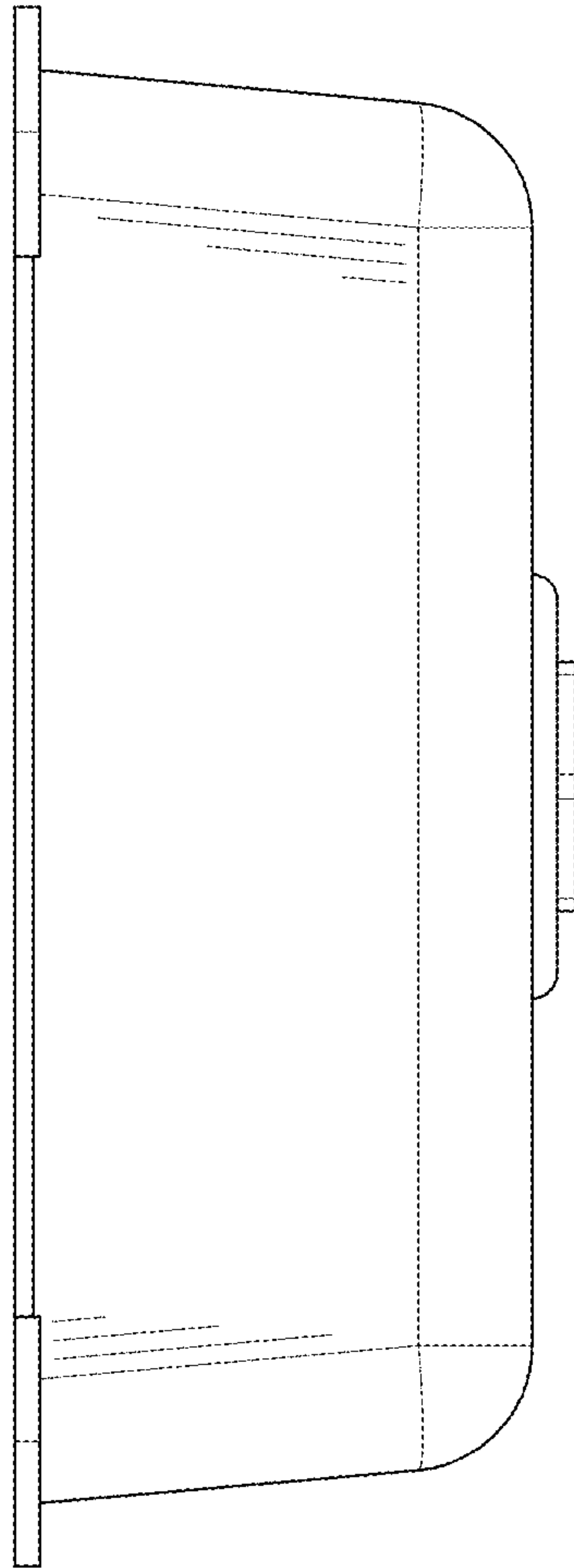


FIG. 15

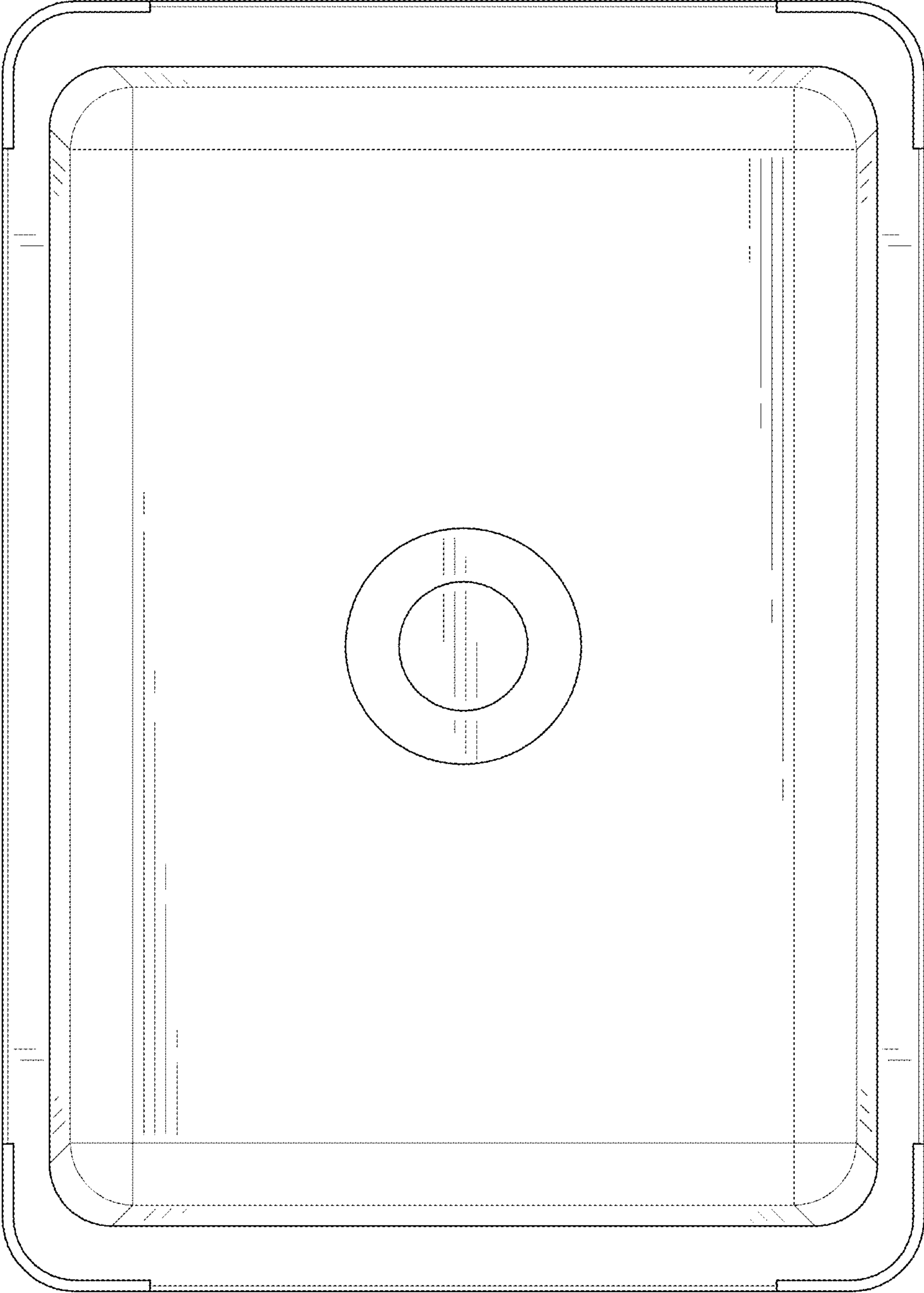


FIG. 16

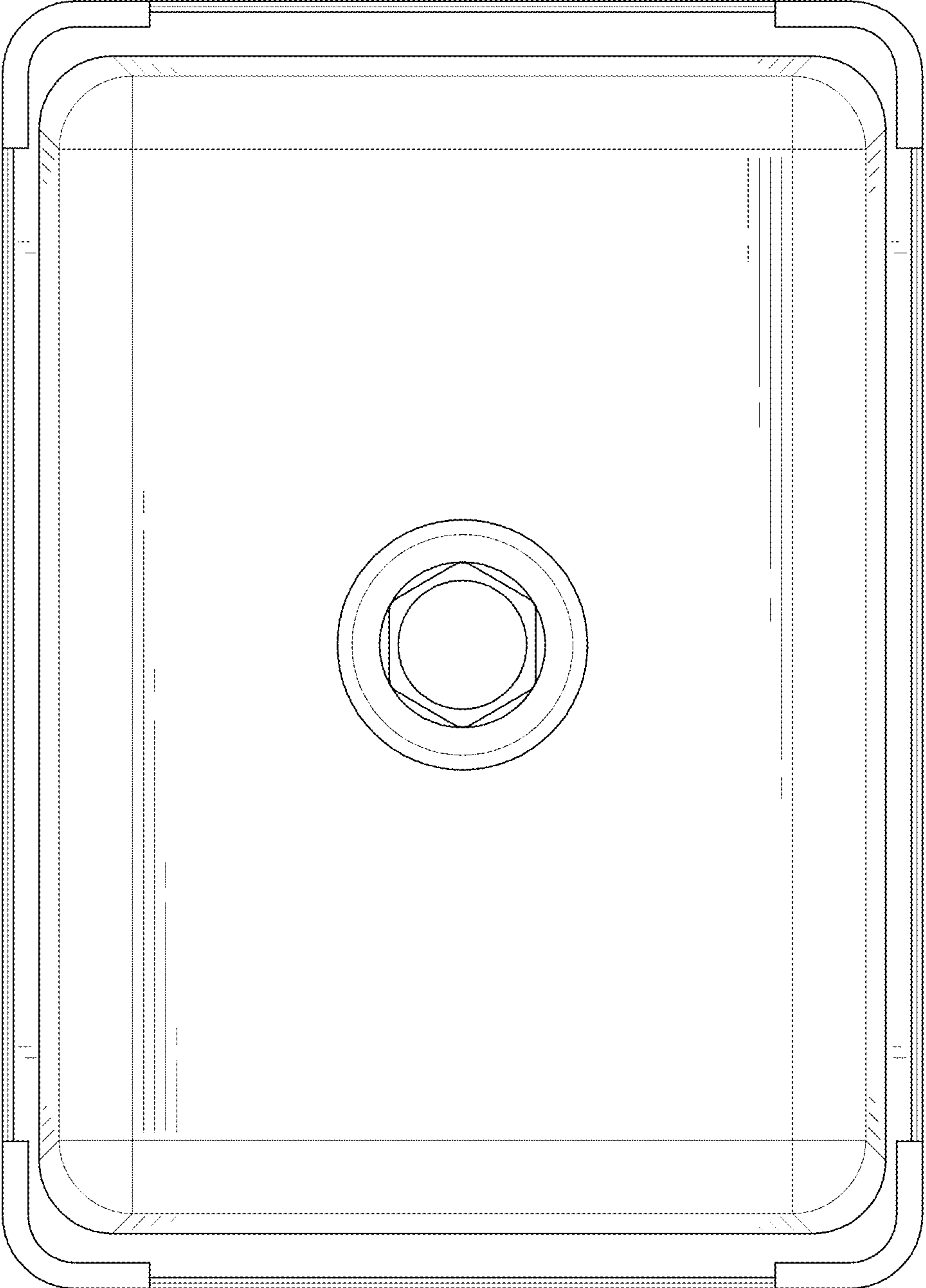


FIG. 17