



US00D970704S

(12) **United States Design Patent**
Zhang

(10) **Patent No.:** **US D970,704 S**

(45) **Date of Patent:** **** Nov. 22, 2022**

(54) **LAUNDRY SINK**

(71) Applicant: **Cheng Zhang**, Shenzhen (CN)

(72) Inventor: **Cheng Zhang**, Shenzhen (CN)

(**) Term: **15 Years**

(21) Appl. No.: **29/849,575**

(22) Filed: **Aug. 12, 2022**

(51) **LOC (13) Cl.** **23-02**

(52) **U.S. Cl.**
USPC **D23/286**

(58) **Field of Classification Search**
USPC D23/271, 273, 286, 284, 293.1; D6/664,
D6/699, 684; D24/234
See application file for complete search history.

(56) **References Cited**

U.S. PATENT DOCUMENTS

D446,575 S *	8/2001	Ferrer Beltran	D23/293.1
D676,945 S *	2/2013	Schindler	D23/286
D840,518 S *	2/2019	Richter	D23/284
D849,212 S *	5/2019	Starck	D23/284
D866,727 S	11/2019	Chen et al.		
D912,226 S	3/2021	Chong et al.		

D912,228 S * 3/2021 Chong E03C 1/0404
D23/286

D914,167 S * 3/2021 Parisio D23/286

D933,175 S 10/2021 Han

2022/0287512 A1* 9/2022 Detlaff A47J 47/20

* cited by examiner

Primary Examiner — Robert A Delehanty

(74) *Attorney, Agent, or Firm* — Rumit Ranjit Kanakia

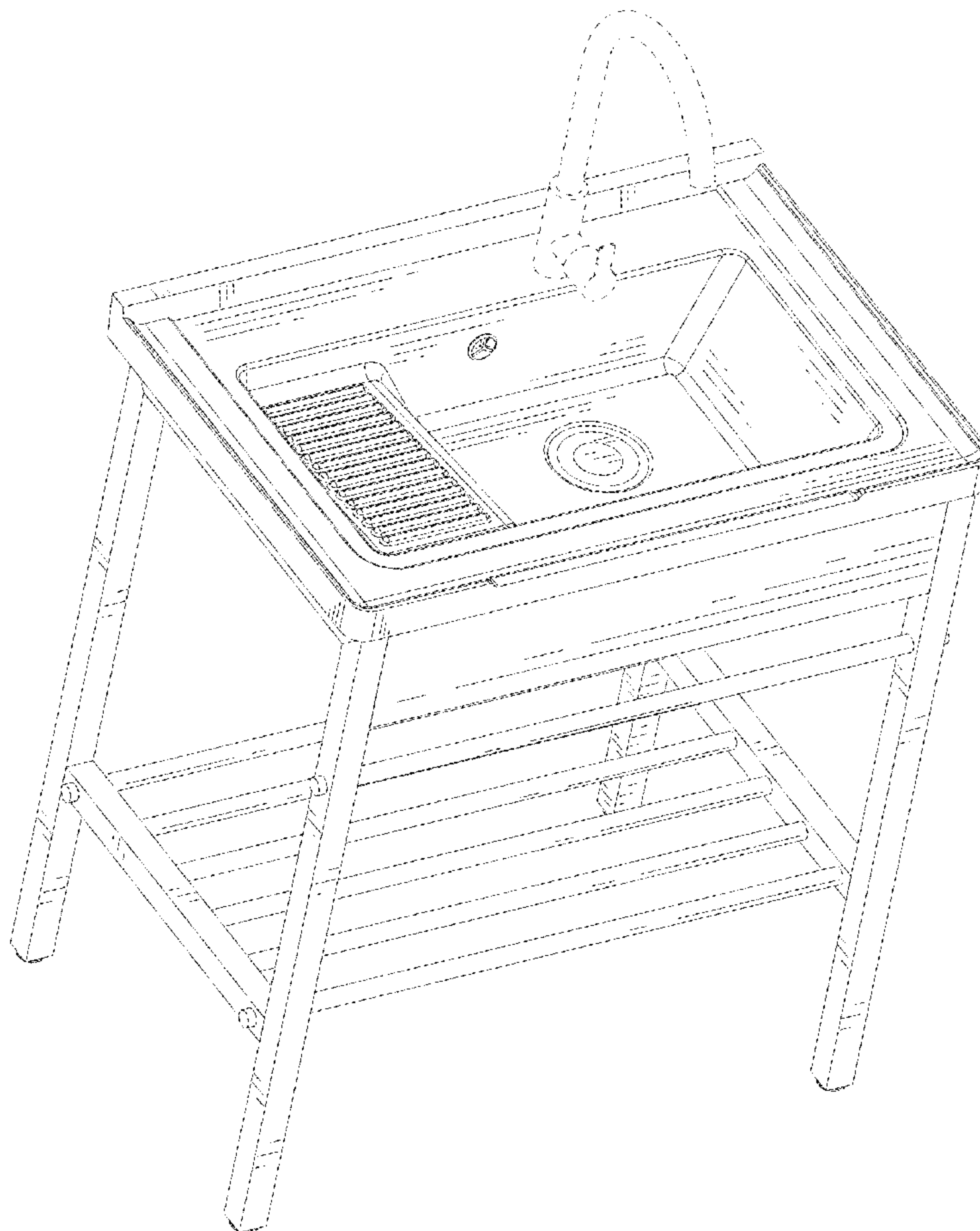
(57) **CLAIM**

The ornamental design for a laundry sink, as shown and described.

DESCRIPTION

FIG. 1 is a first perspective view of a laundry sink showing my new design;
FIG. 2 is a second perspective view thereof;
FIG. 3 is a front view thereof;
FIG. 4 is a back view thereof;
FIG. 5 is a left side view thereof;
FIG. 6 is a right side view thereof;
FIG. 7 is a top view thereof; and,
FIG. 8 is a bottom view thereof.
The broken lines shown in the drawings depict portions of the laundry sink that form no part of the claimed design.

1 Claim, 8 Drawing Sheets



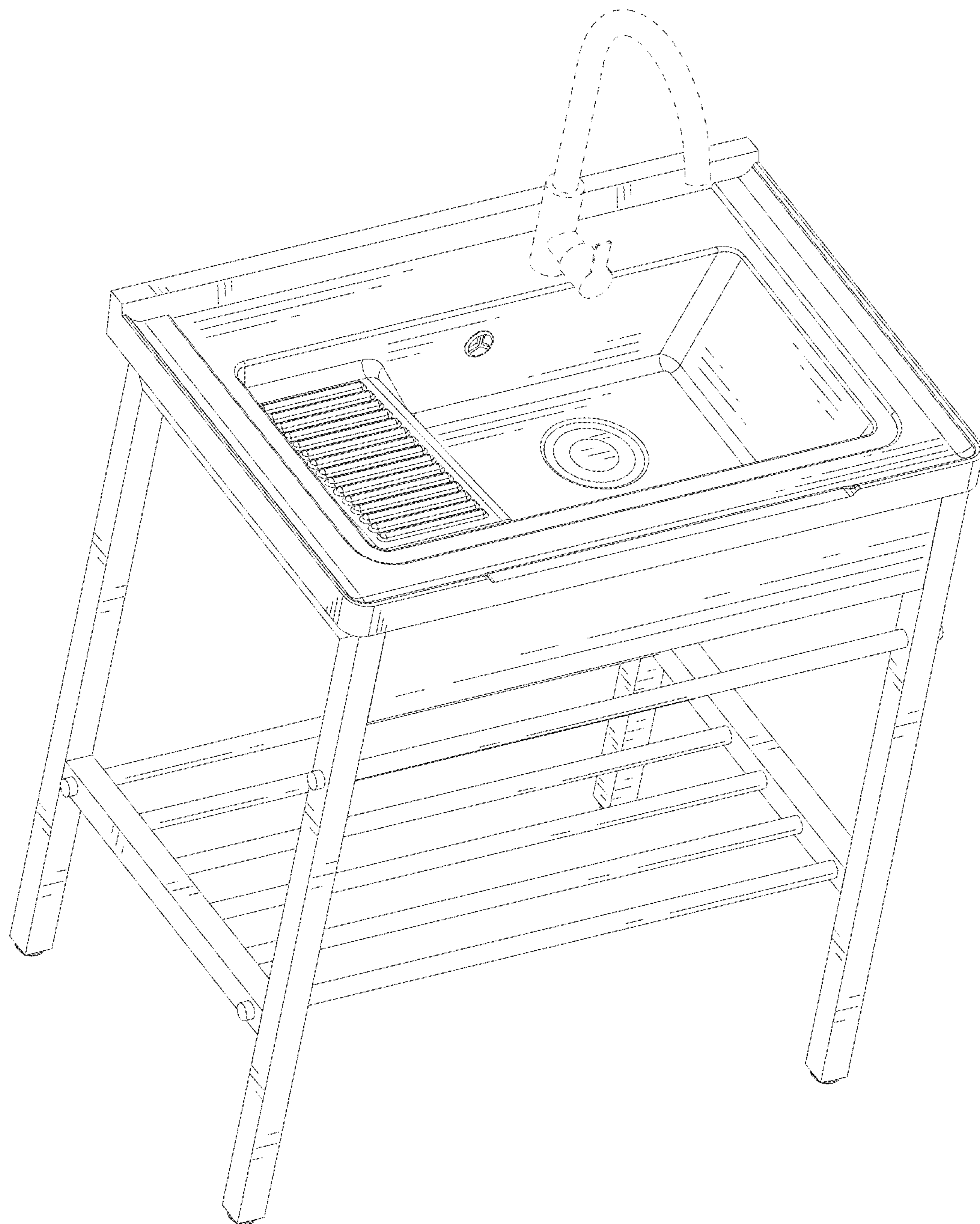


FIG. 1

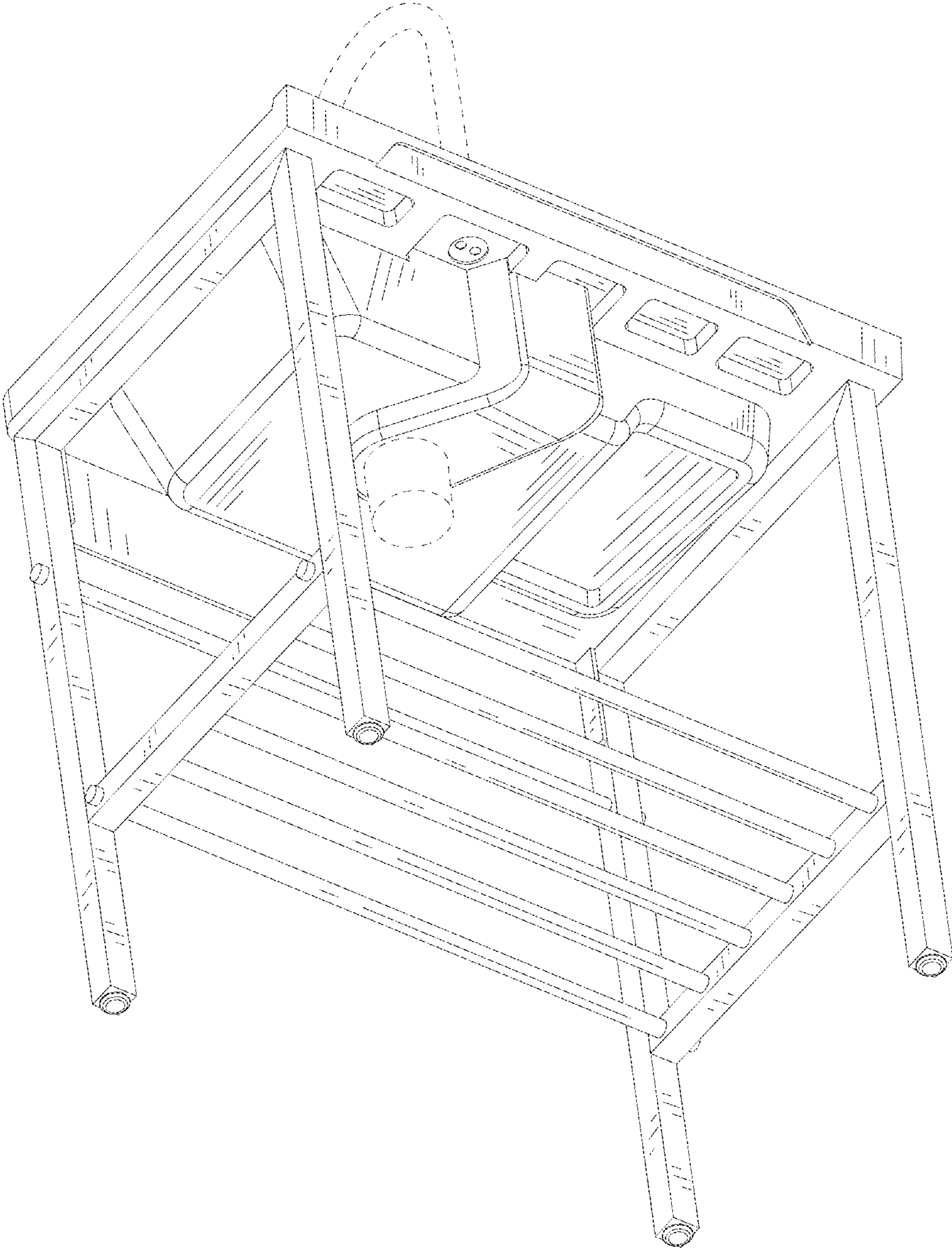


FIG. 2

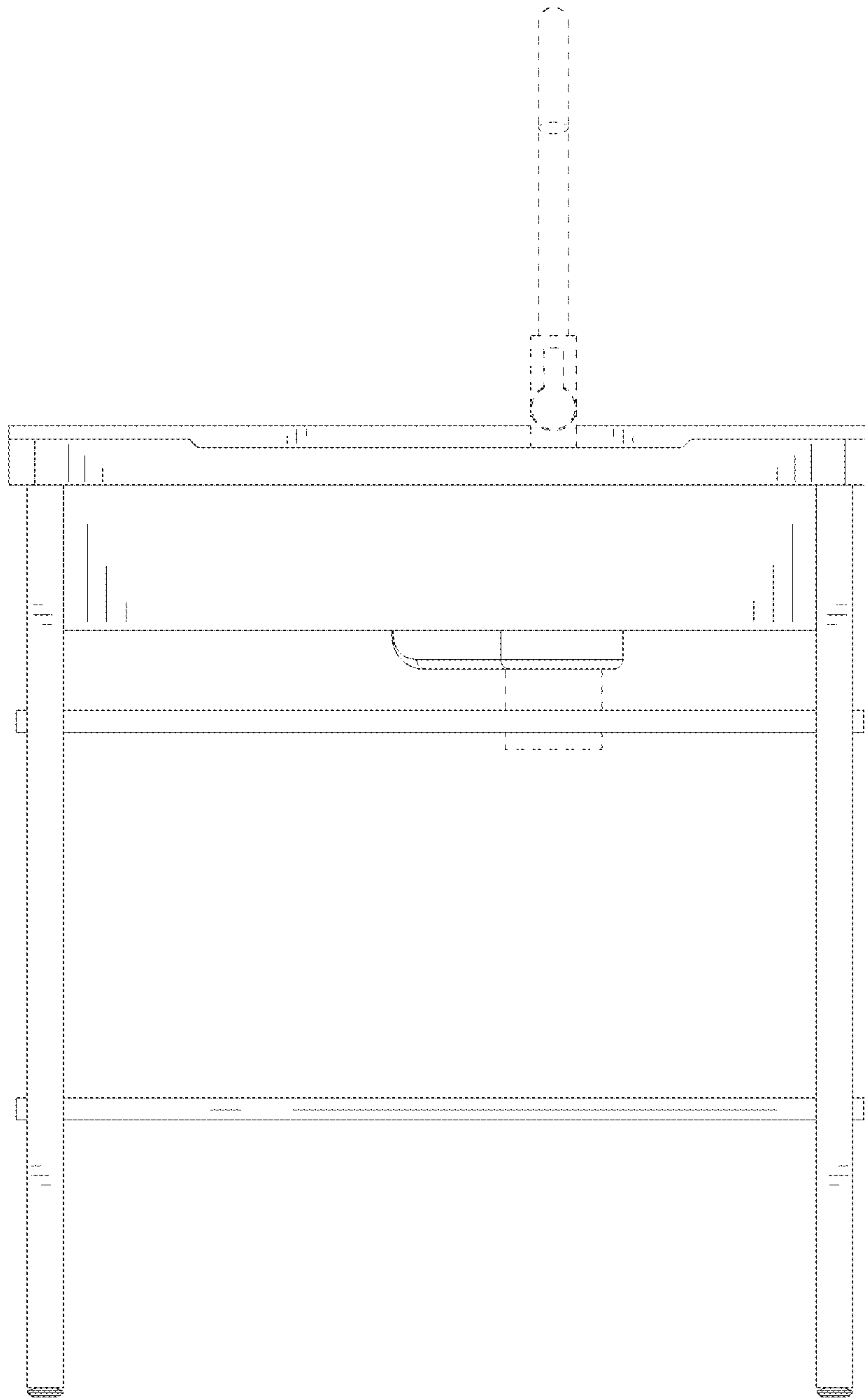


FIG. 3

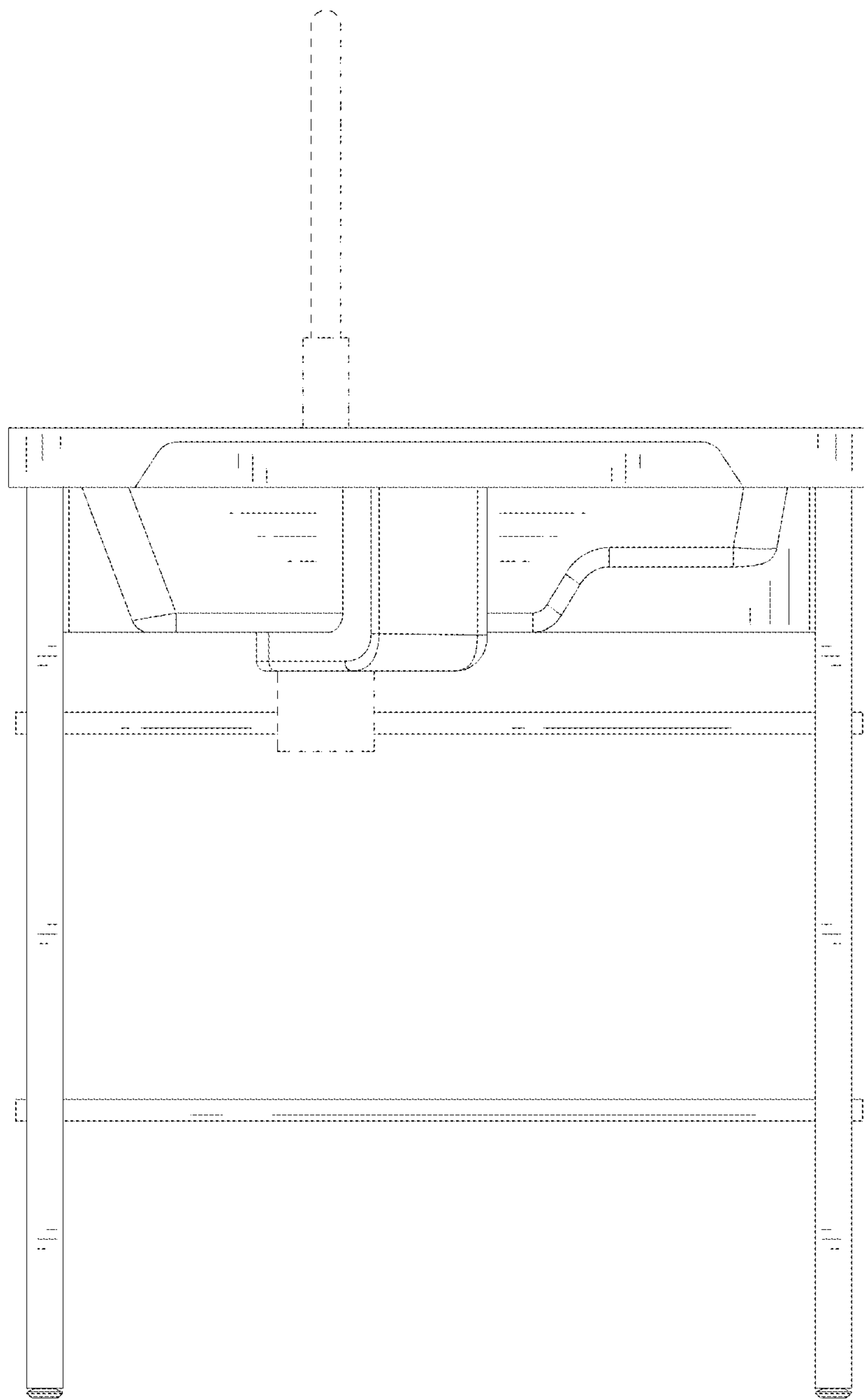


FIG. 4

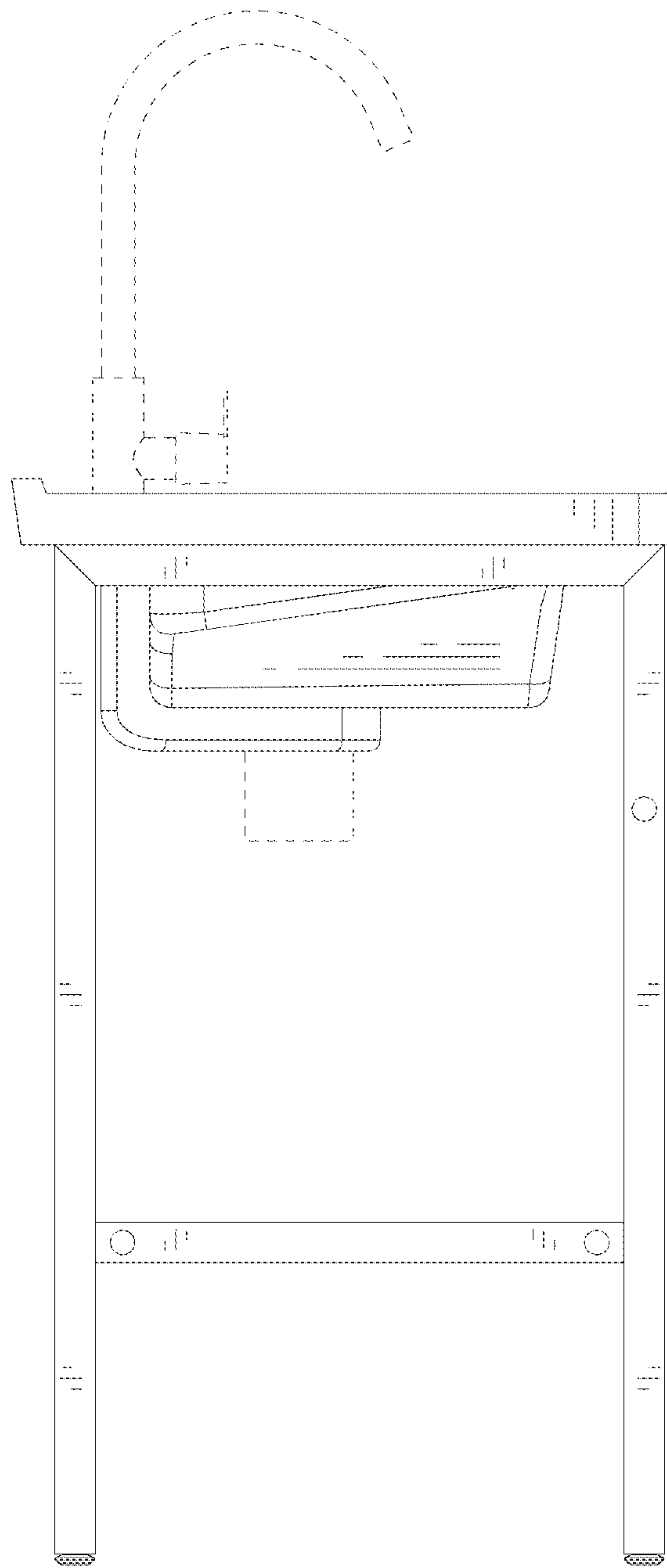


FIG. 5

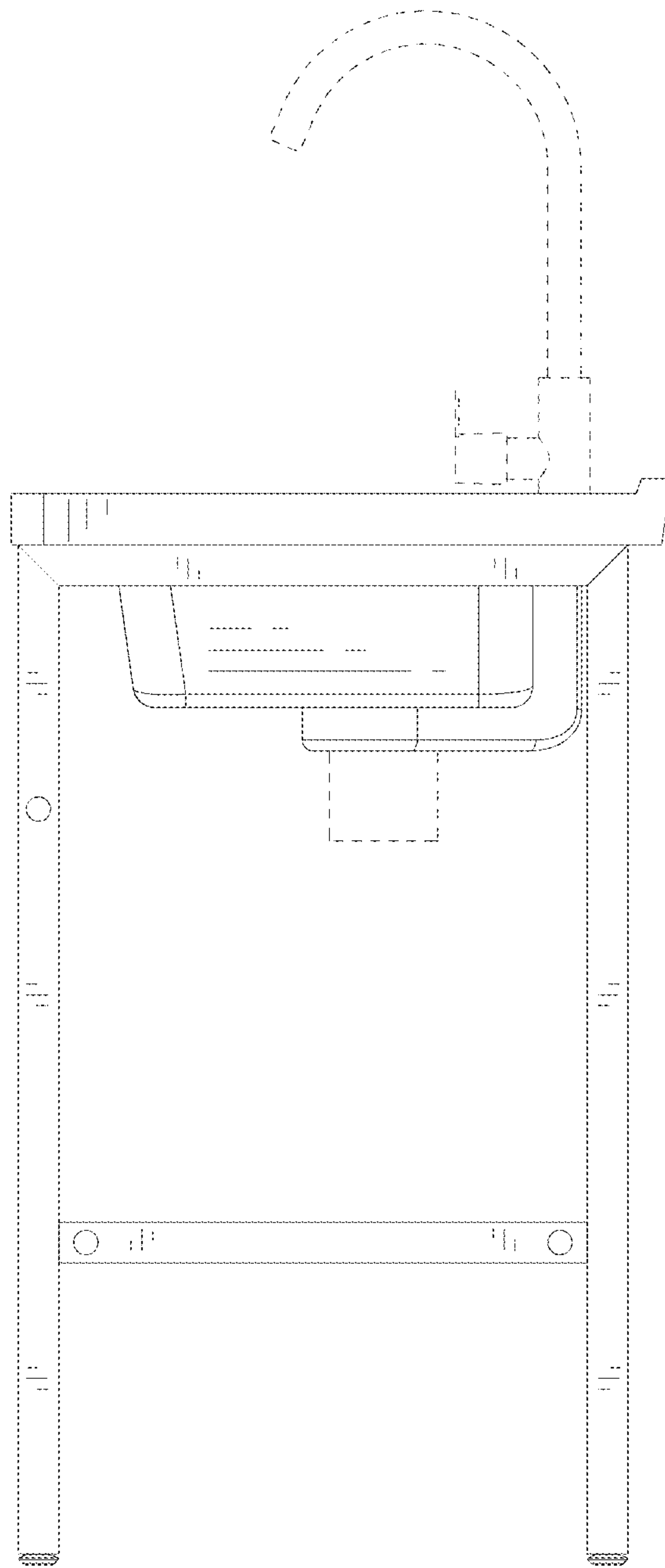


FIG. 6

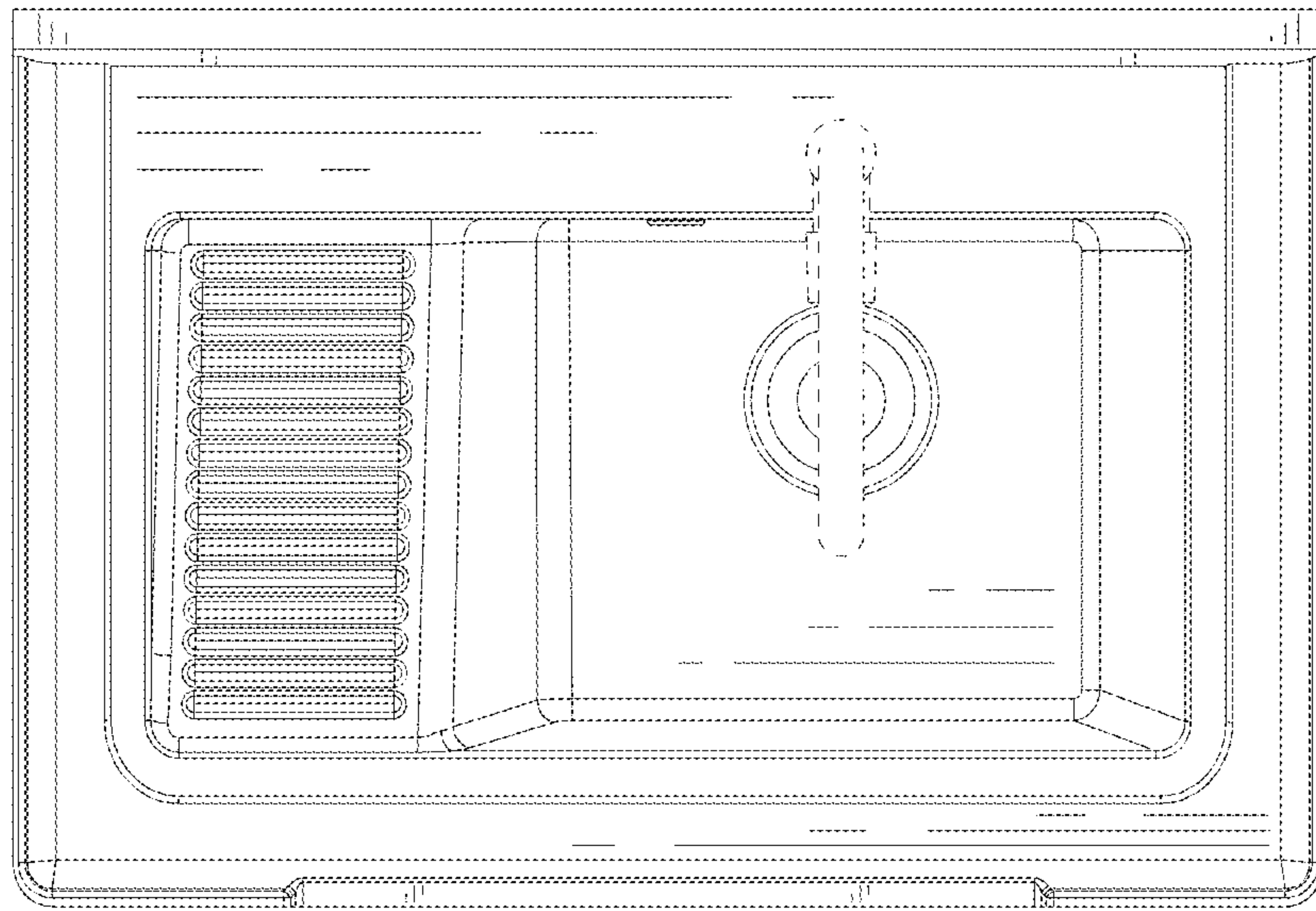


FIG. 7

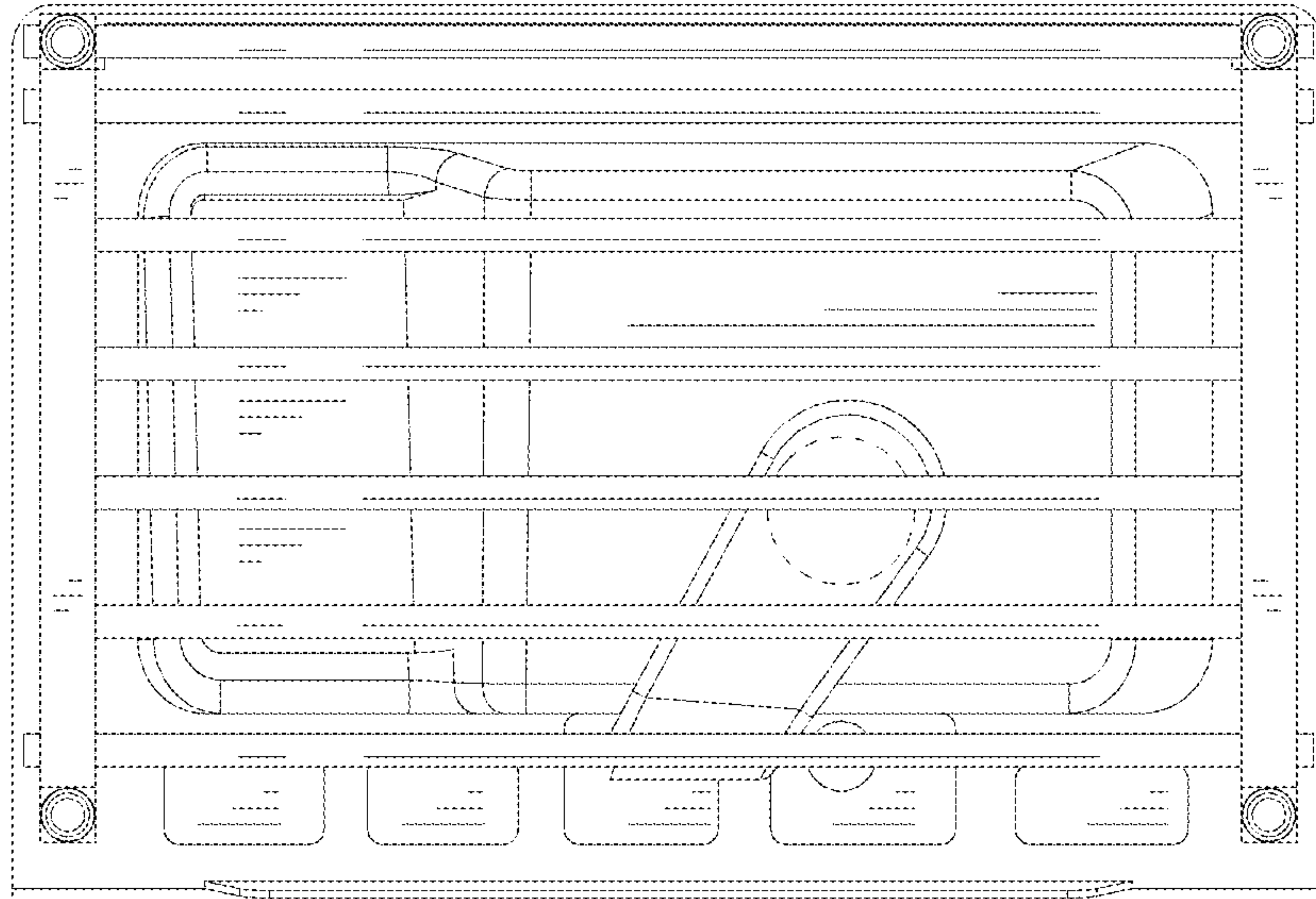


FIG. 8