



US00D970703S

(12) **United States Design Patent** (10) **Patent No.:** **US D970,703 S**
Xie (45) **Date of Patent:** **** Nov. 22, 2022**

(54) **SINK**

FOREIGN PATENT DOCUMENTS

(71) Applicant: **Qiaoming Xie**, Chaozhou (CN)

WO D208651-017 * 6/2020

(72) Inventor: **Qiaoming Xie**, Chaozhou (CN)

OTHER PUBLICATIONS

(**) Term: **15 Years**

(21) Appl. No.: **29/780,470**

(22) Filed: **Apr. 25, 2021**

(51) **LOC (13) Cl.** **23-06**

(52) **U.S. Cl.**
USPC **D23/285**

(58) **Field of Classification Search**
USPC D23/284–286, 293.1, 308, 499
CPC A47B 77/06; A47K 1/02; A47L 17/02;
E03C 1/14; E03C 1/18; E03C 1/182;
E03C 1/186

See application file for complete search history.

MOCCOA 33" Venezia Fireclay Kitchen Sink, first available May 25, 2019[online], [site visited Sep. 7, 2022]. Available from internet, URL:< https://www.amazon.com/dp/B07SMGQVV8> (Year: 2019).*
Empire Industries SP30SG Sutton Place Reversible Farmhouse Fireclay Kitchen Sink, first available Jul. 5, 2017[online], [site visited Sep. 7, 2022]. Available from internet, URL:< https://www.amazon.com/dp/B073QNZ651> (Year: 2017).*

* cited by examiner

Primary Examiner — David G Muller
Assistant Examiner — Jamaal Rasheed

(56) **References Cited**

(57) **CLAIM**

The ornamental design for a sink, as shown and described.

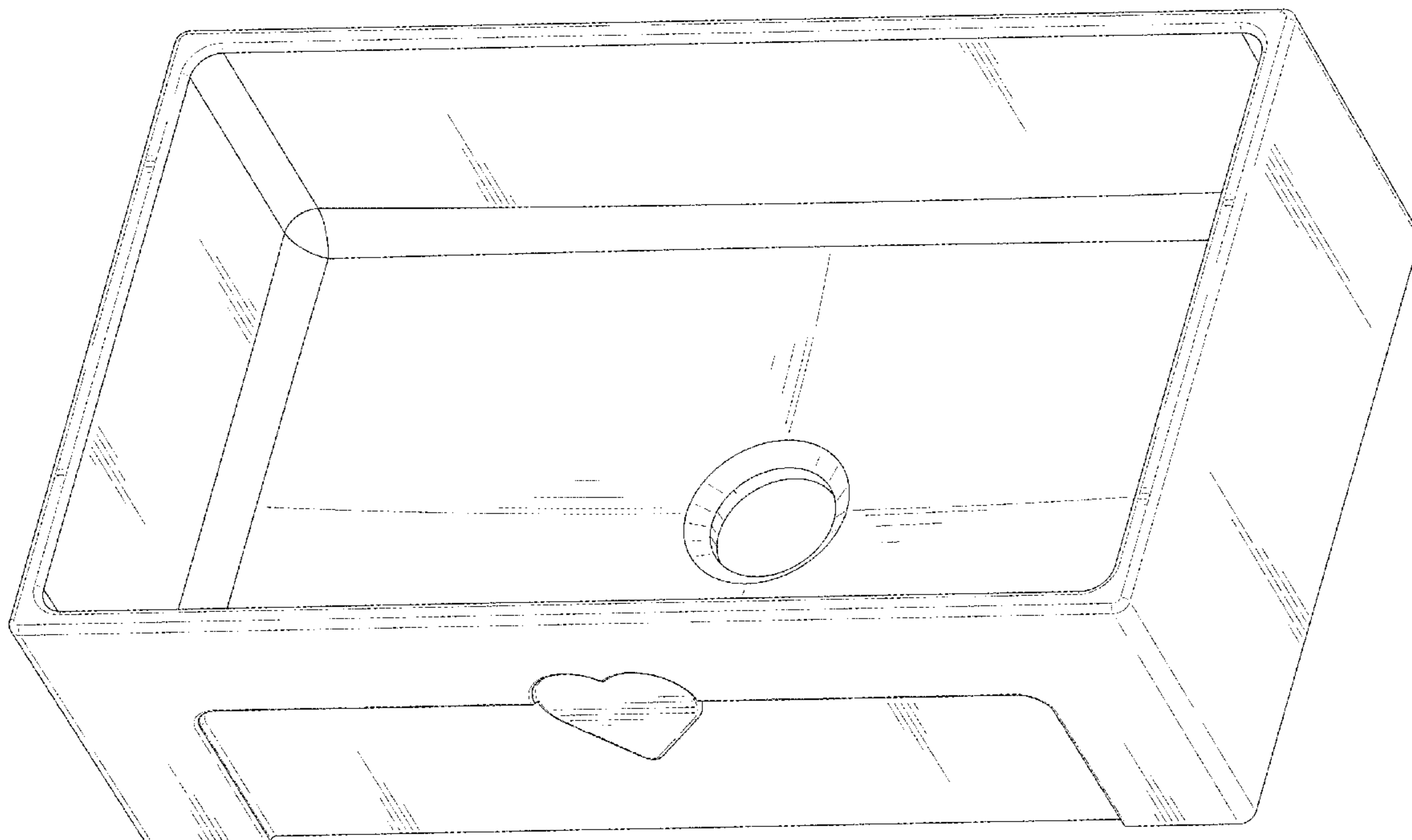
U.S. PATENT DOCUMENTS

D620,091	S	*	7/2010	Eckhaus	D23/308
D699,329	S	*	2/2014	Eckhaus	D23/285
D699,824	S	*	2/2014	Eckhaus	D23/285
D705,404	S	*	5/2014	Anzellini	D23/293.1
D865,138	S	*	10/2019	Lyons	D23/293.1
D866,727	S	*	11/2019	Chen	D23/293.1
D882,049	S	*	4/2020	Borsellini	D23/284
10,844,582	B1	*	11/2020	Hocaoglu	E03C 1/182
D912,785	S	*	3/2021	Davis	D23/284
11,149,421	B2	*	10/2021	Liang	E03C 1/18
D939,675	S	*	12/2021	Levi	D23/284
2020/0063412	A1	*	2/2020	Miller	A47B 96/20
2020/0399877	A1	*	12/2020	Liang	A47B 77/06
2021/0112978	A1	*	4/2021	Miller	E03C 1/182
2022/0152712	A1	*	5/2022	Yu	B23C 3/30

DESCRIPTION

FIG. 1 is a perspective view of a sink showing my new design;
FIG. 2 is another perspective view thereof;
FIG. 3 is a front elevational view thereof;
FIG. 4 is a rear elevational view thereof;
FIG. 5 is a left side elevational view thereof;
FIG. 6 is a right side elevational view thereof;
FIG. 7 is a top plan view thereof; and,
FIG. 8 is a bottom plan view thereof.

1 Claim, 8 Drawing Sheets



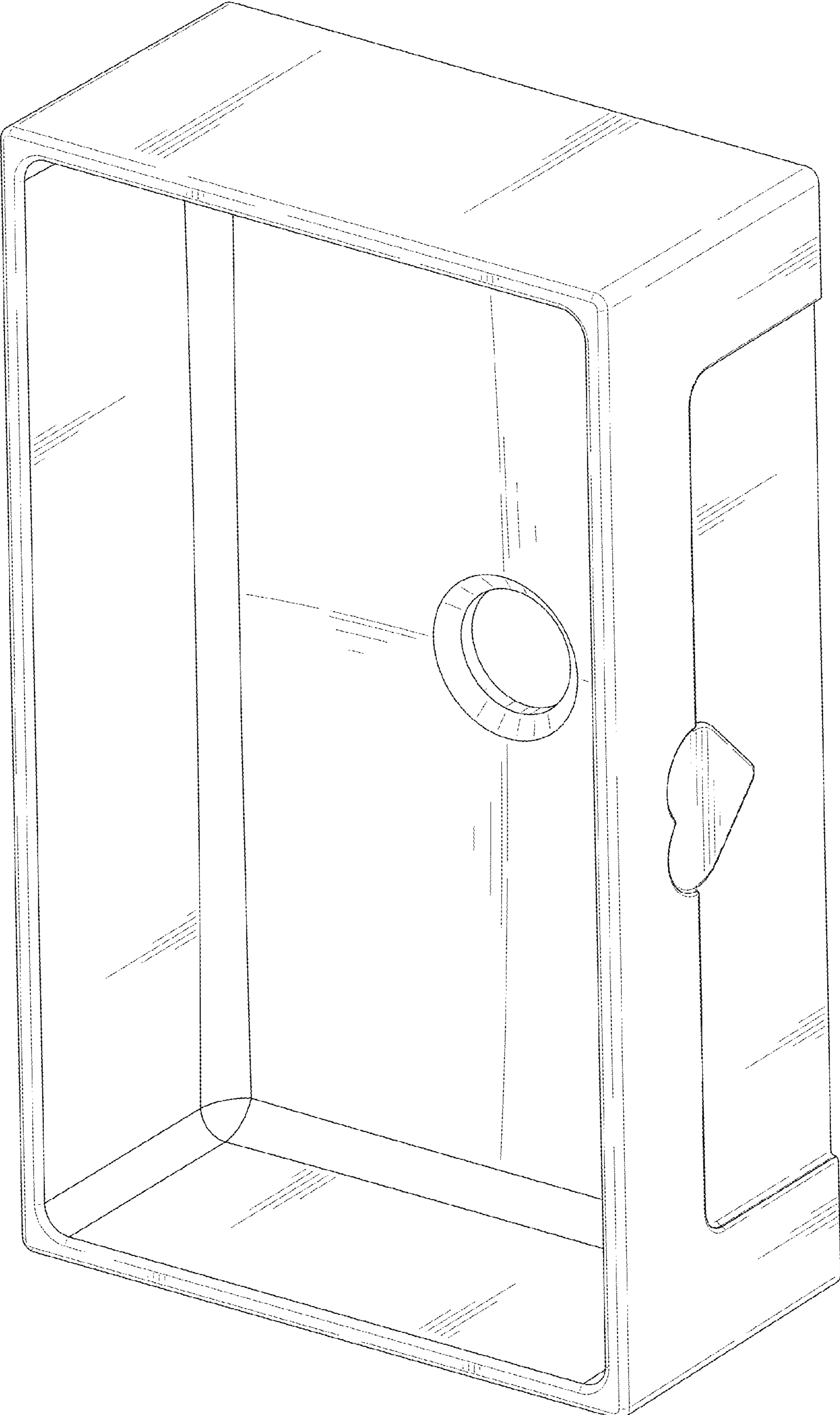


FIG. 1

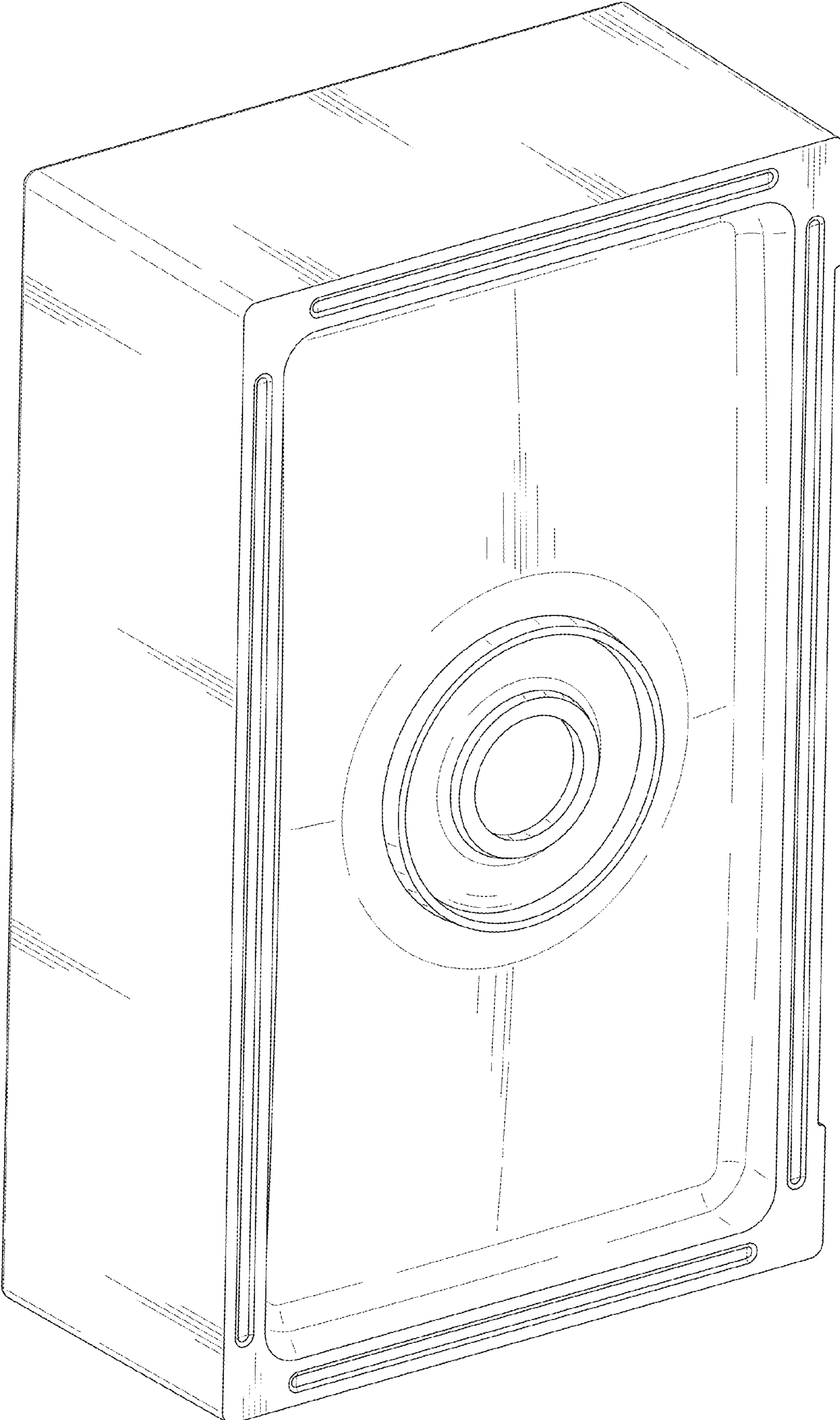


FIG. 2

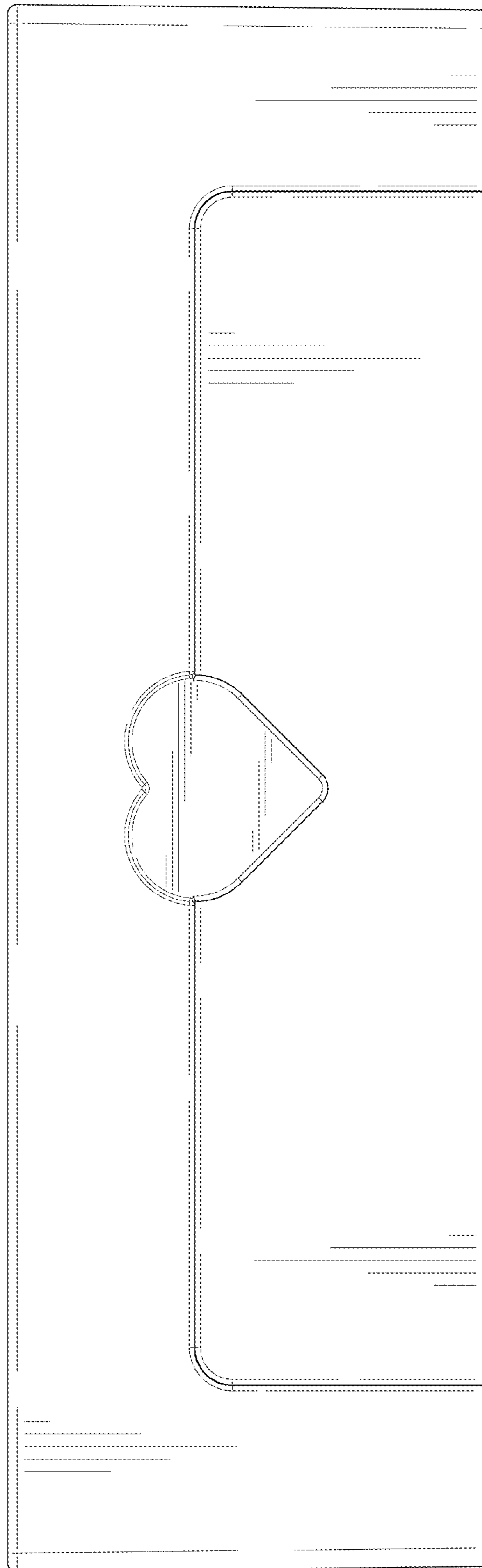


FIG. 3

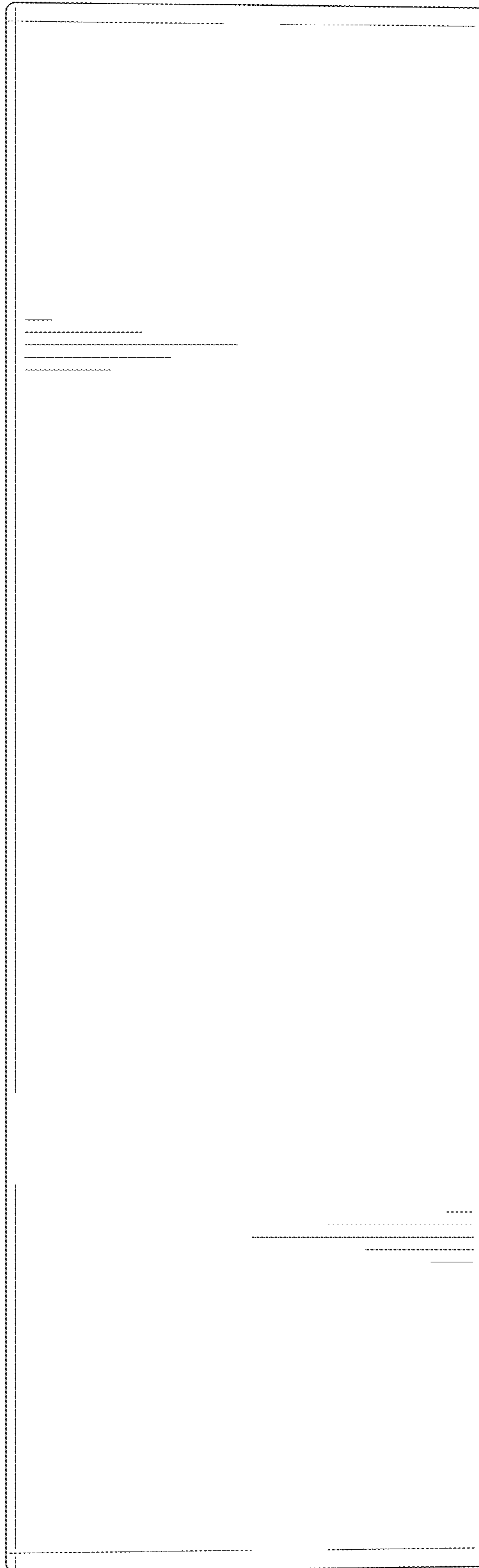


FIG. 4

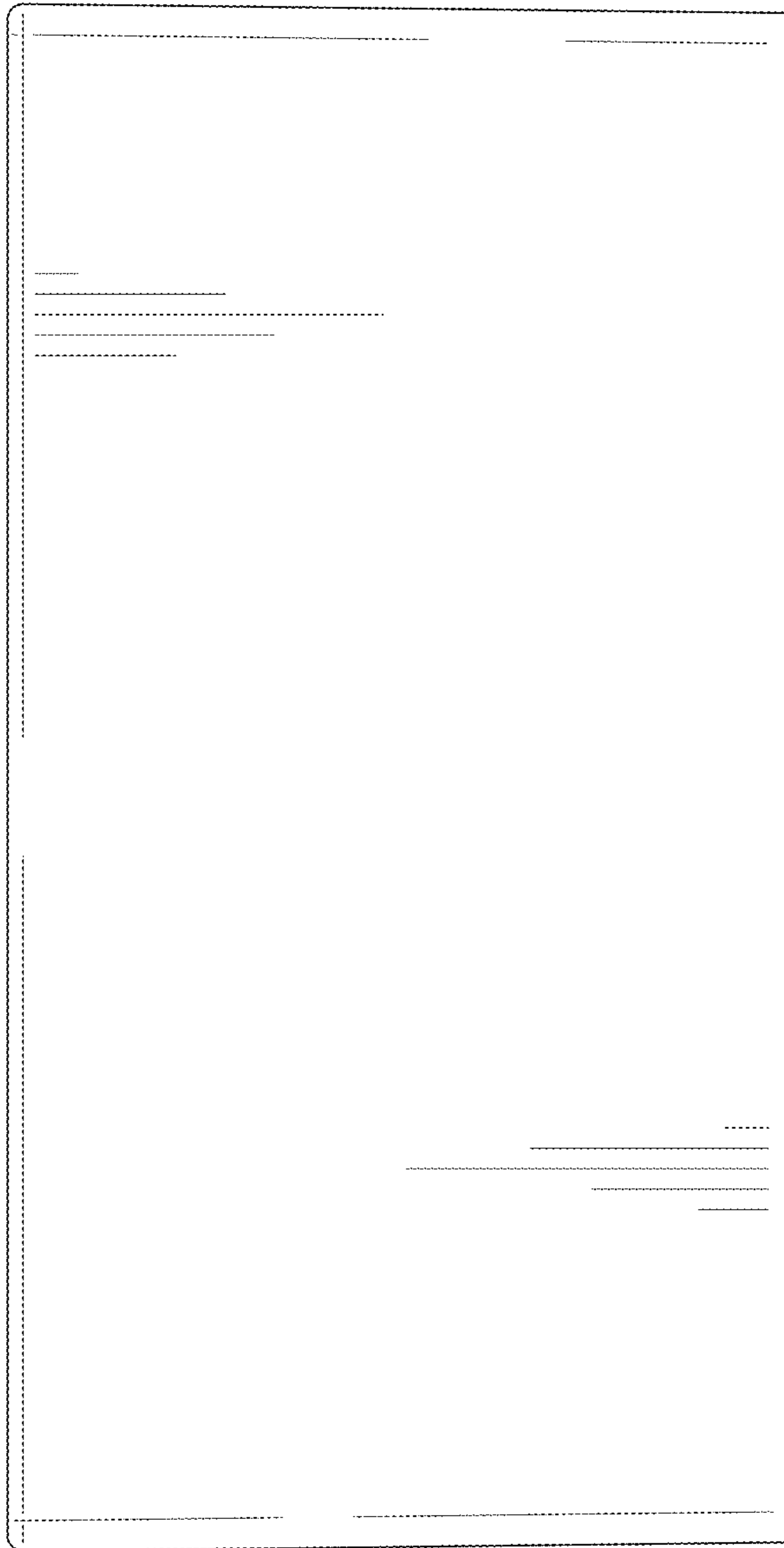


FIG. 5

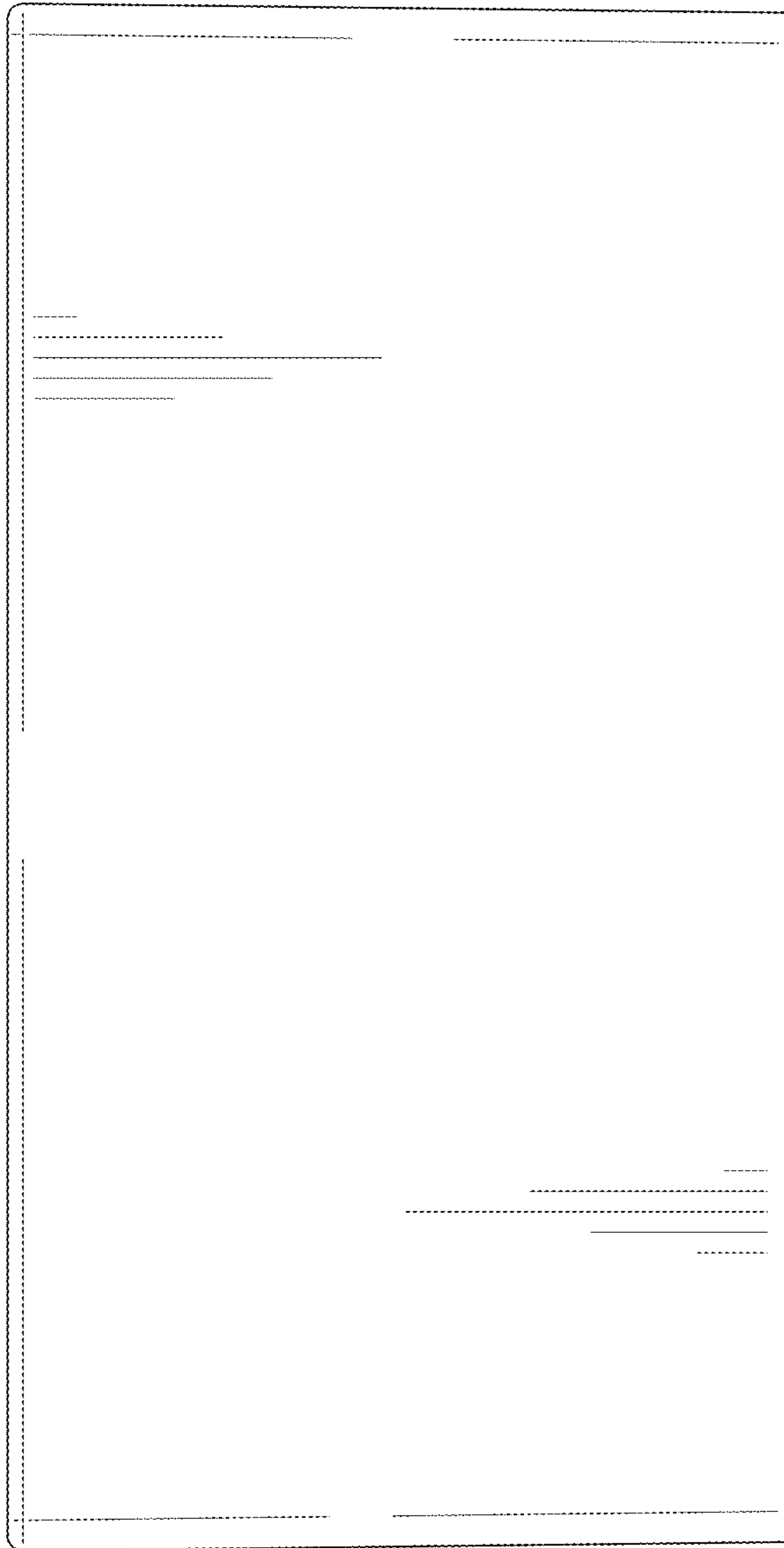


FIG. 6

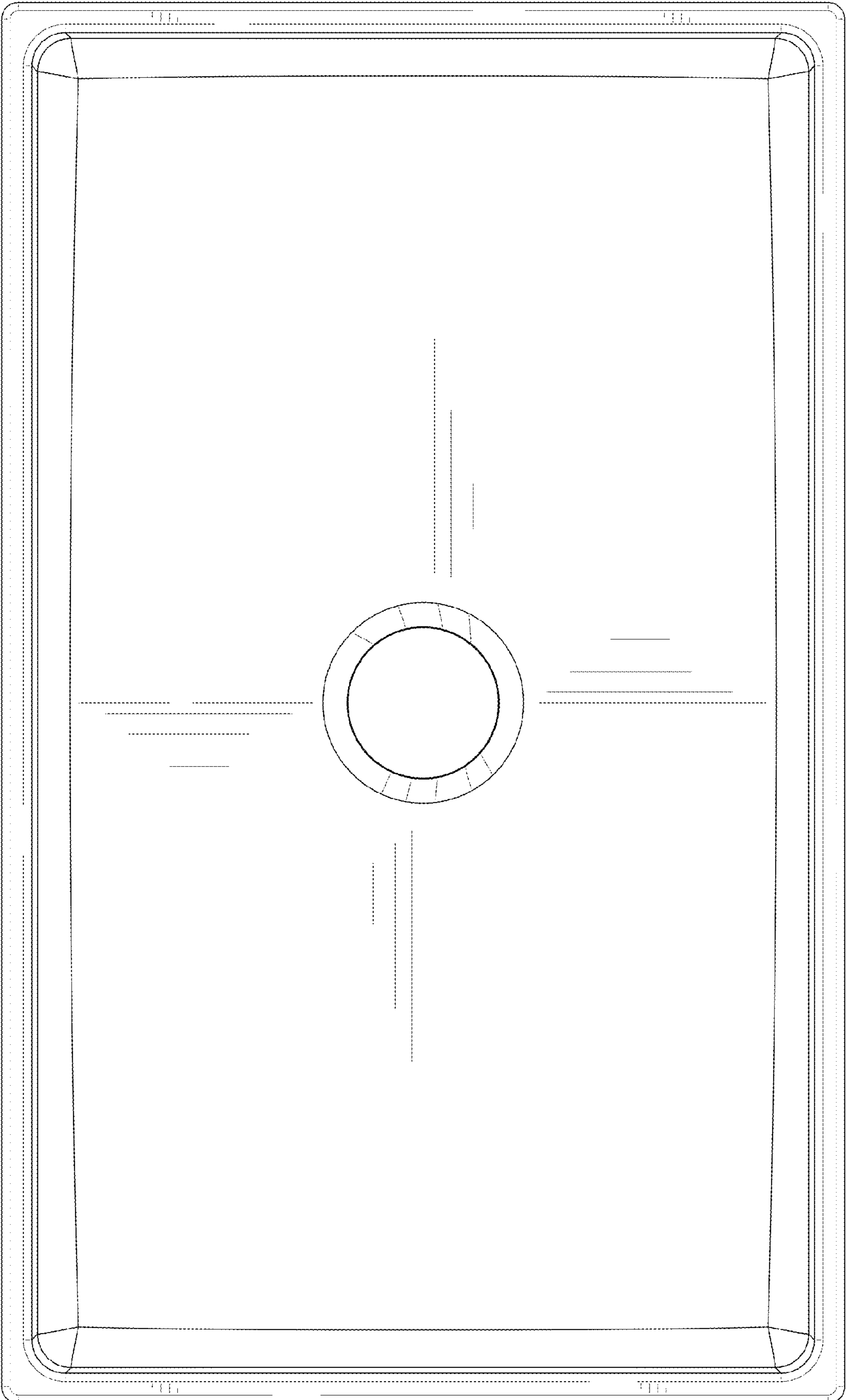


FIG. 7

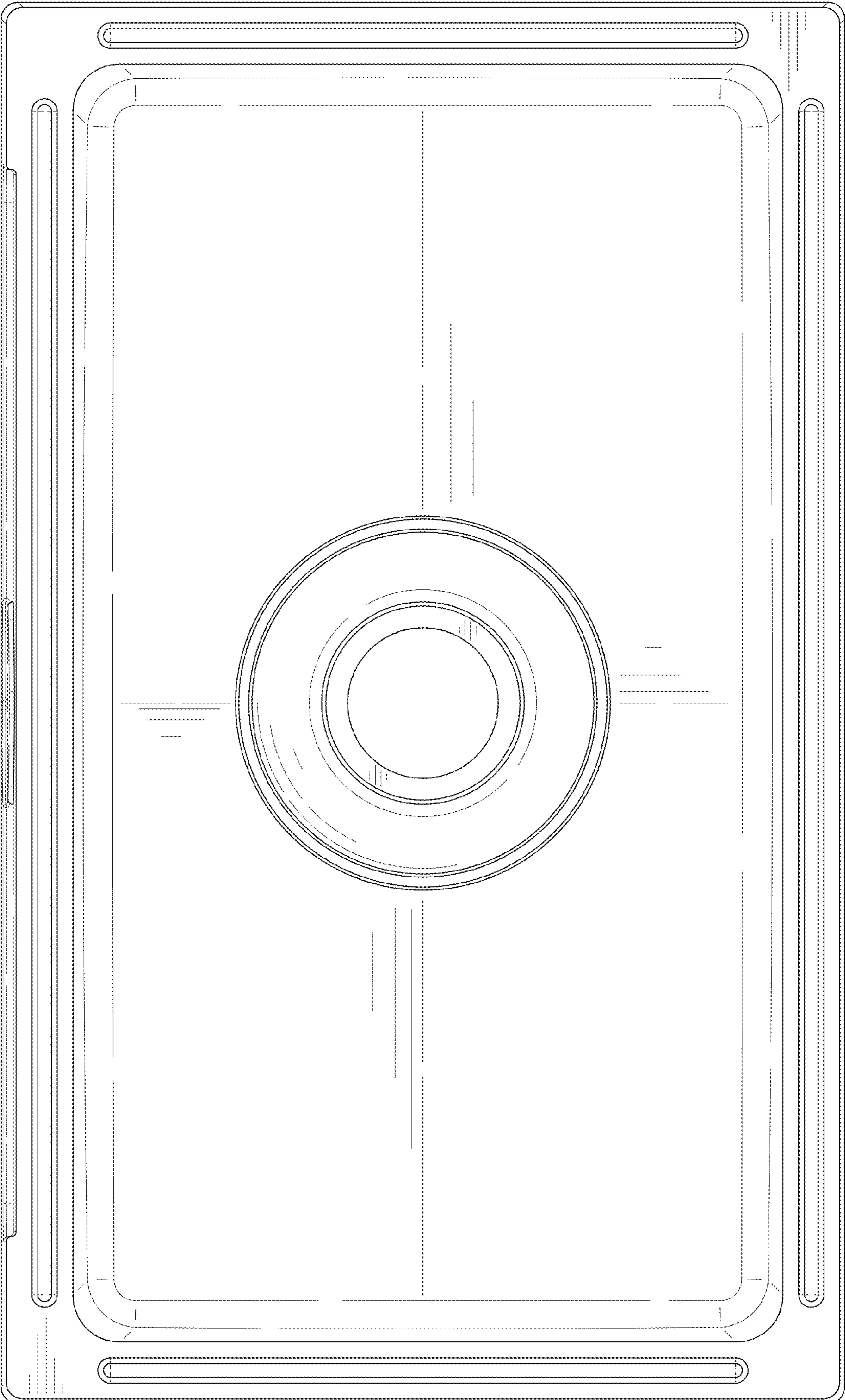


FIG. 8