



US00D970702S

(12) **United States Design Patent**
Diaz et al.

(10) **Patent No.:** **US D970,702 S**

(45) **Date of Patent:** **** Nov. 22, 2022**

(54) **VALVE BLOCK**

D428,111 S * 7/2000 Hayashi D23/233
D753,796 S * 4/2016 Suematsu D23/233
D753,797 S * 4/2016 Suematsu D23/233

(71) Applicant: **FAS MEDIC S.A.**, Oron (CH)

* cited by examiner

(72) Inventors: **Manuel Diaz**, Le Lignon (CH); **Joel Di Dio**, Geneva (CH)

Primary Examiner — Gino Colan

(73) Assignee: **FAS MEDIC S.A.**, Oron (CH)

(74) *Attorney, Agent, or Firm* — The Ollila Law Group LLC

(**) Term: **15 Years**

(21) Appl. No.: **29/703,412**

(57) **CLAIM**

(22) Filed: **Aug. 27, 2019**

The ornamental design for a valve block, as shown and described.

(30) **Foreign Application Priority Data**

Apr. 30, 2019 (EP) 19172052
Apr. 30, 2019 (EP) 19172058
Jul. 31, 2019 (EM) 006658704

DESCRIPTION

(51) **LOC (13) Cl.** **23-01**

(52) **U.S. Cl.**
USPC **D23/249**

(58) **Field of Classification Search**
USPC D23/233, 235, 237, 241–249, 259, 262,
D23/269

CPC .. F16K 27/029; F16K 31/0658; F16K 27/048;
F16K 31/082; B60T 15/025
See application file for complete search history.

FIG. 1 shows a perspective view of a component of a valve.
FIG. 2 shows another perspective view of the component of a valve.

FIG. 3 shows a front view of the component of a valve

FIG. 4 shows a rear view of the component of a valve

FIG. 5 shows a top view of the component of a valve

FIG. 6 shows a bottom view of the component of a valve

FIG. 7 shows a right side view of the component of a valve;
and,

FIG. 8 shows a left side view of the component of a valve.

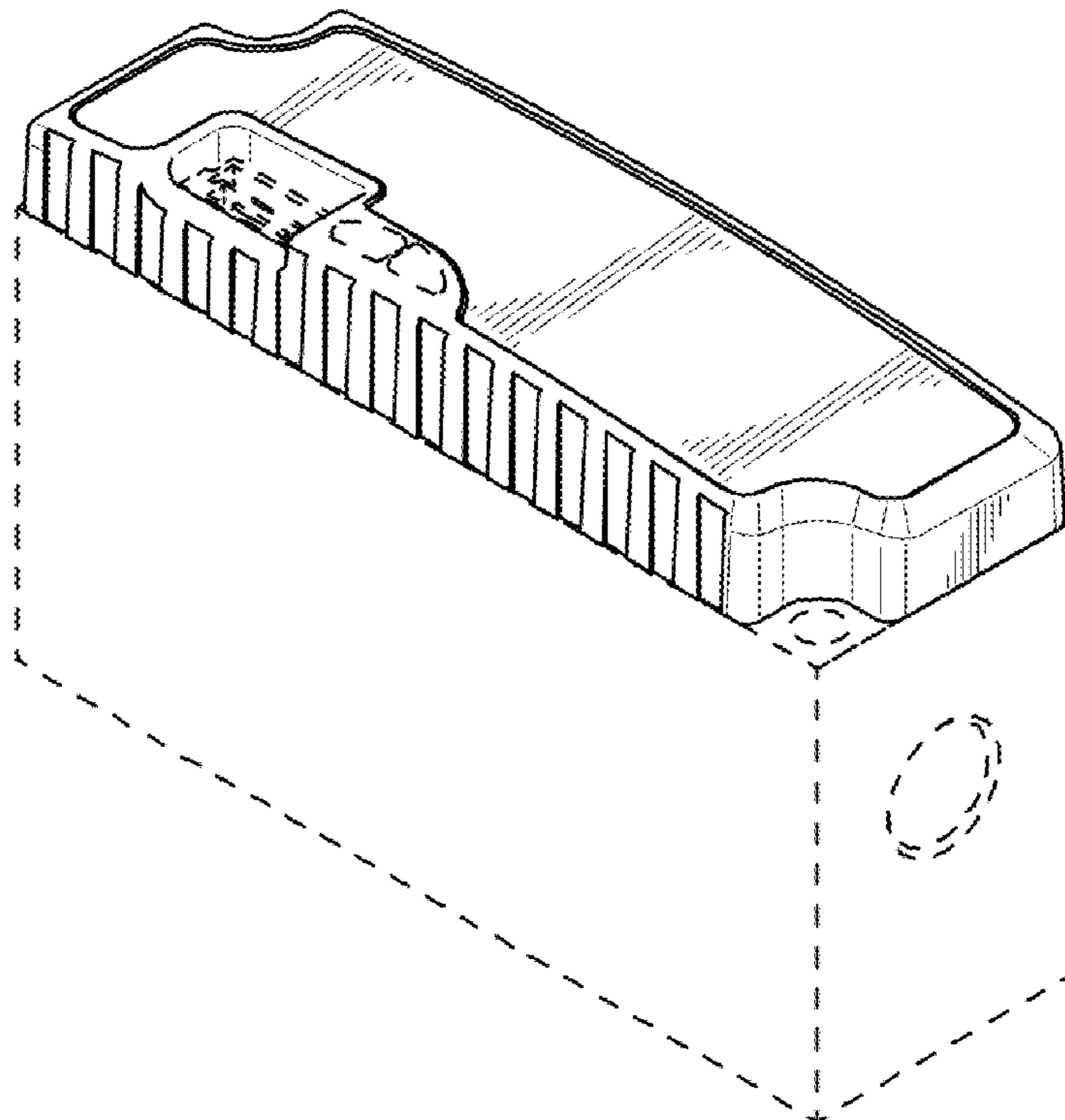
The broken lines in the drawings are included for the purpose of illustrating portions of the valve block and form no part of the claimed design.

(56) **References Cited**

U.S. PATENT DOCUMENTS

D426,615 S * 6/2000 Sato D23/233

1 Claim, 3 Drawing Sheets



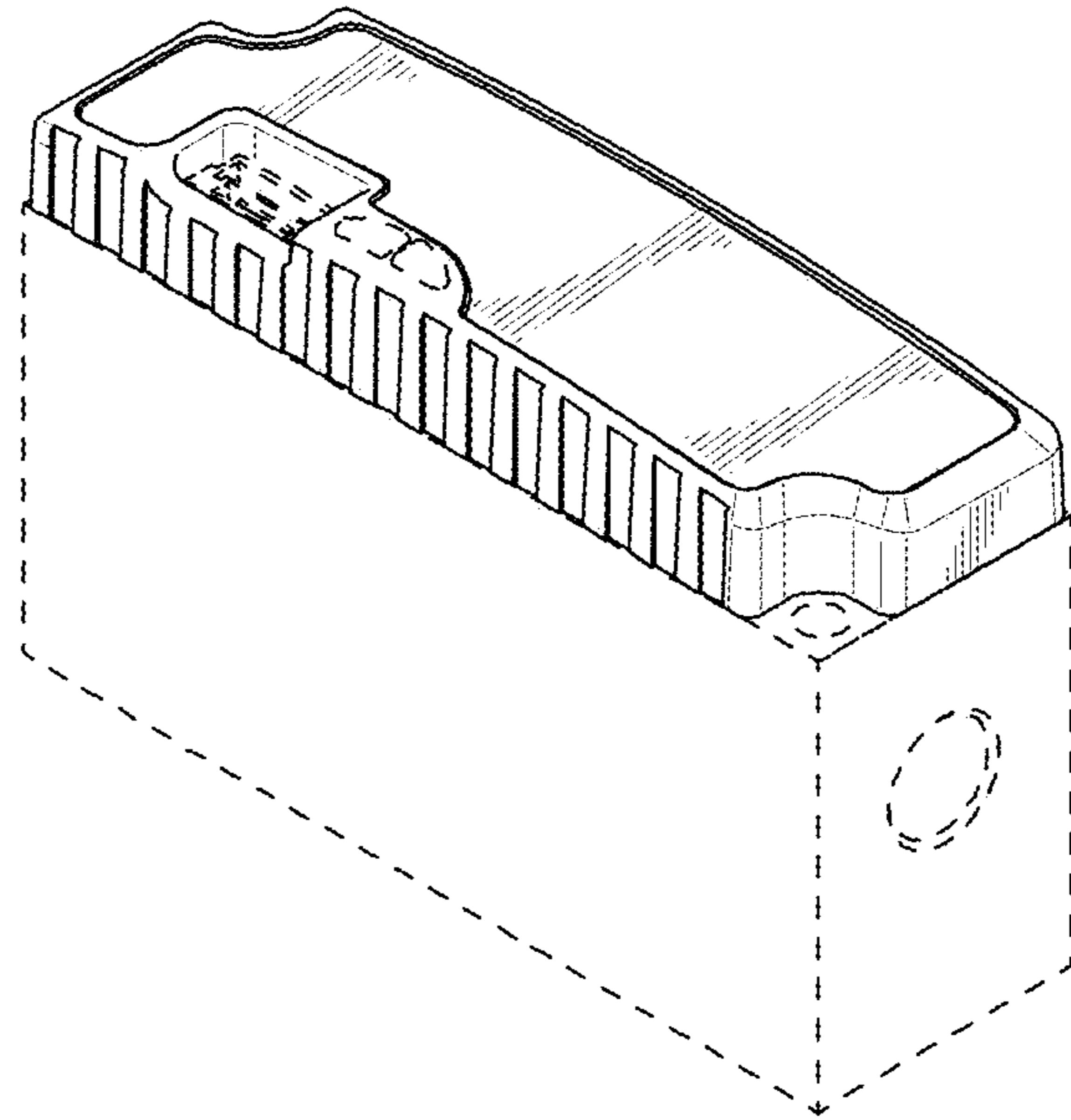


FIG. 1

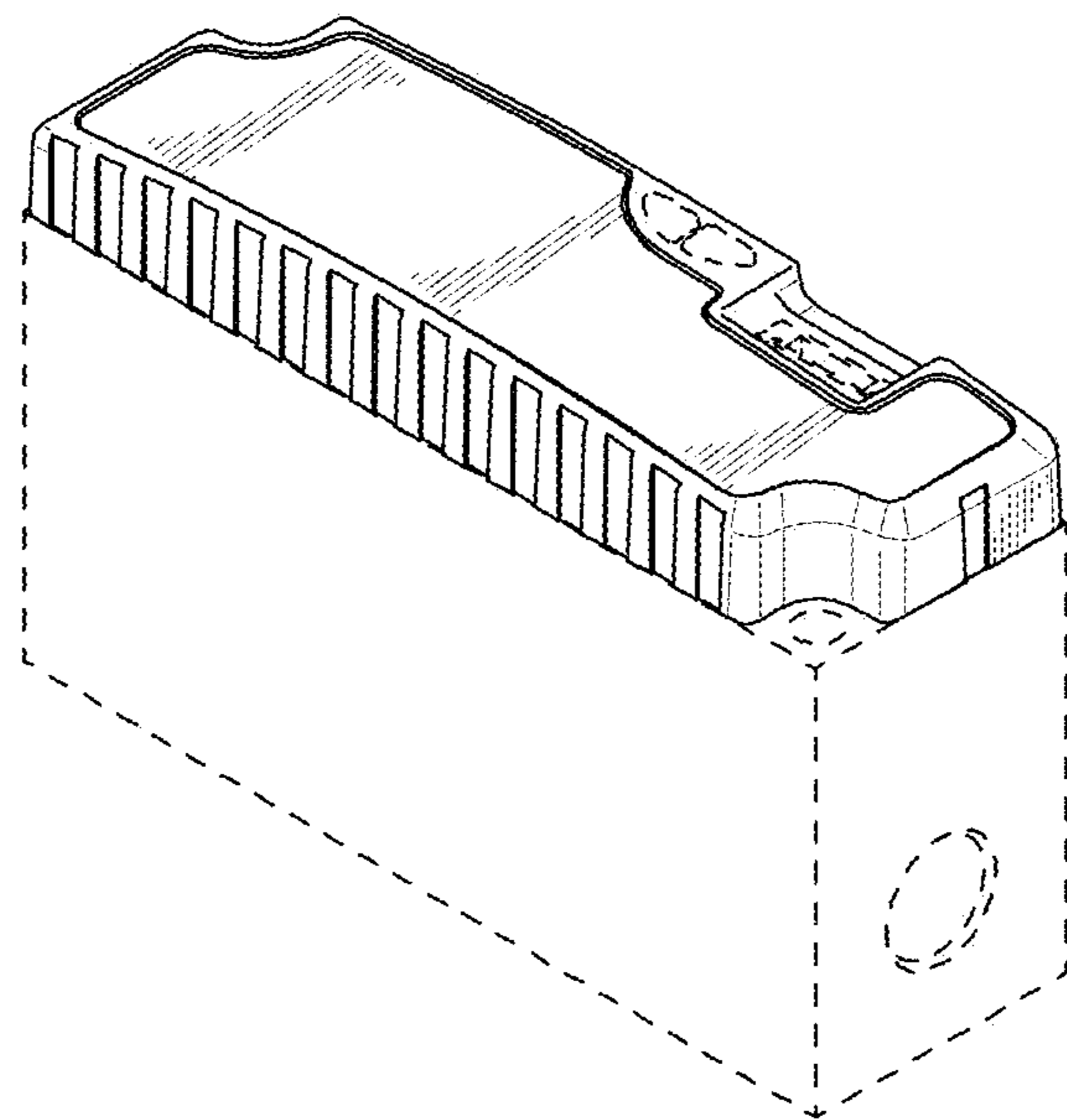


FIG. 2

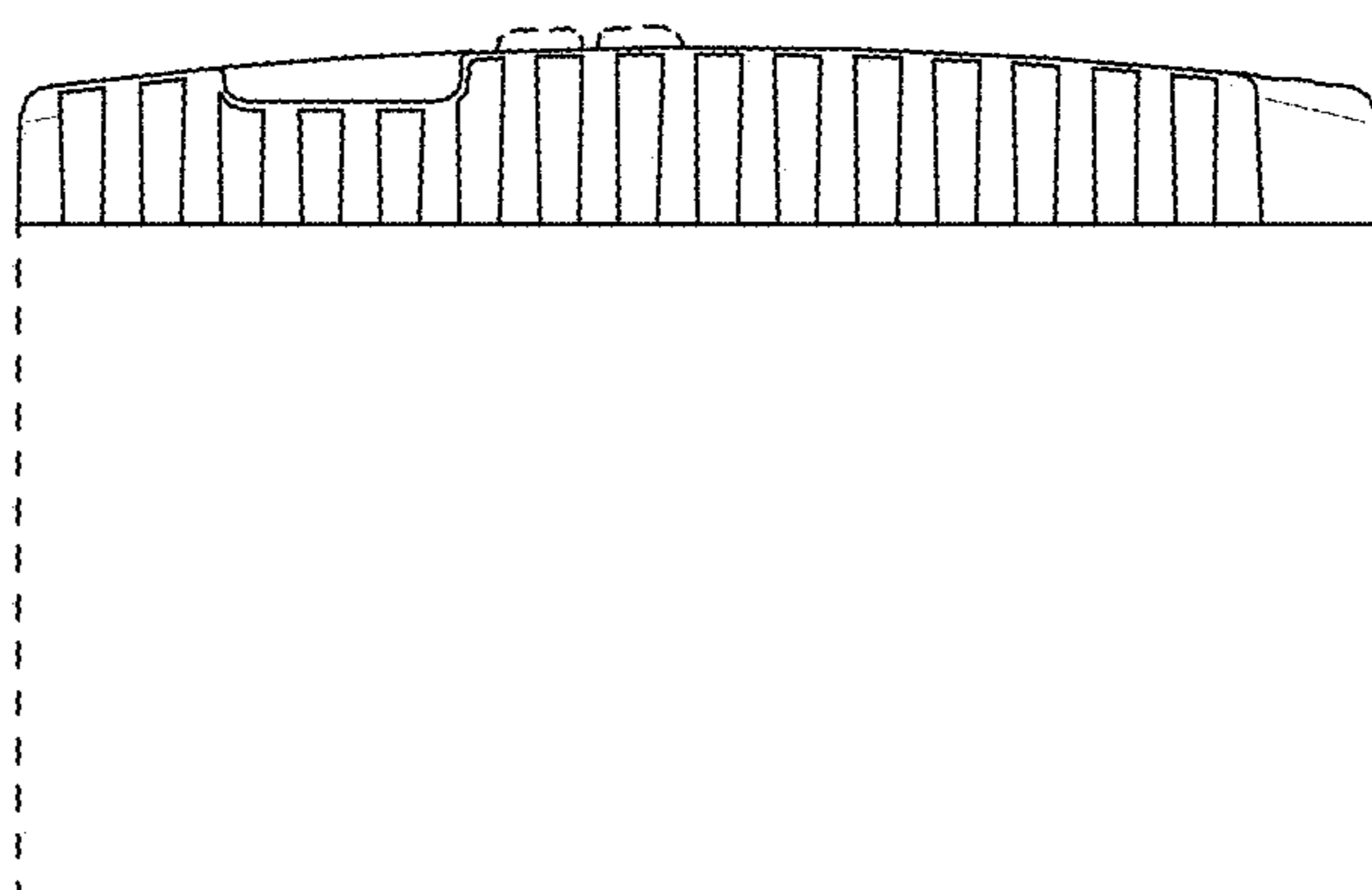


FIG. 3

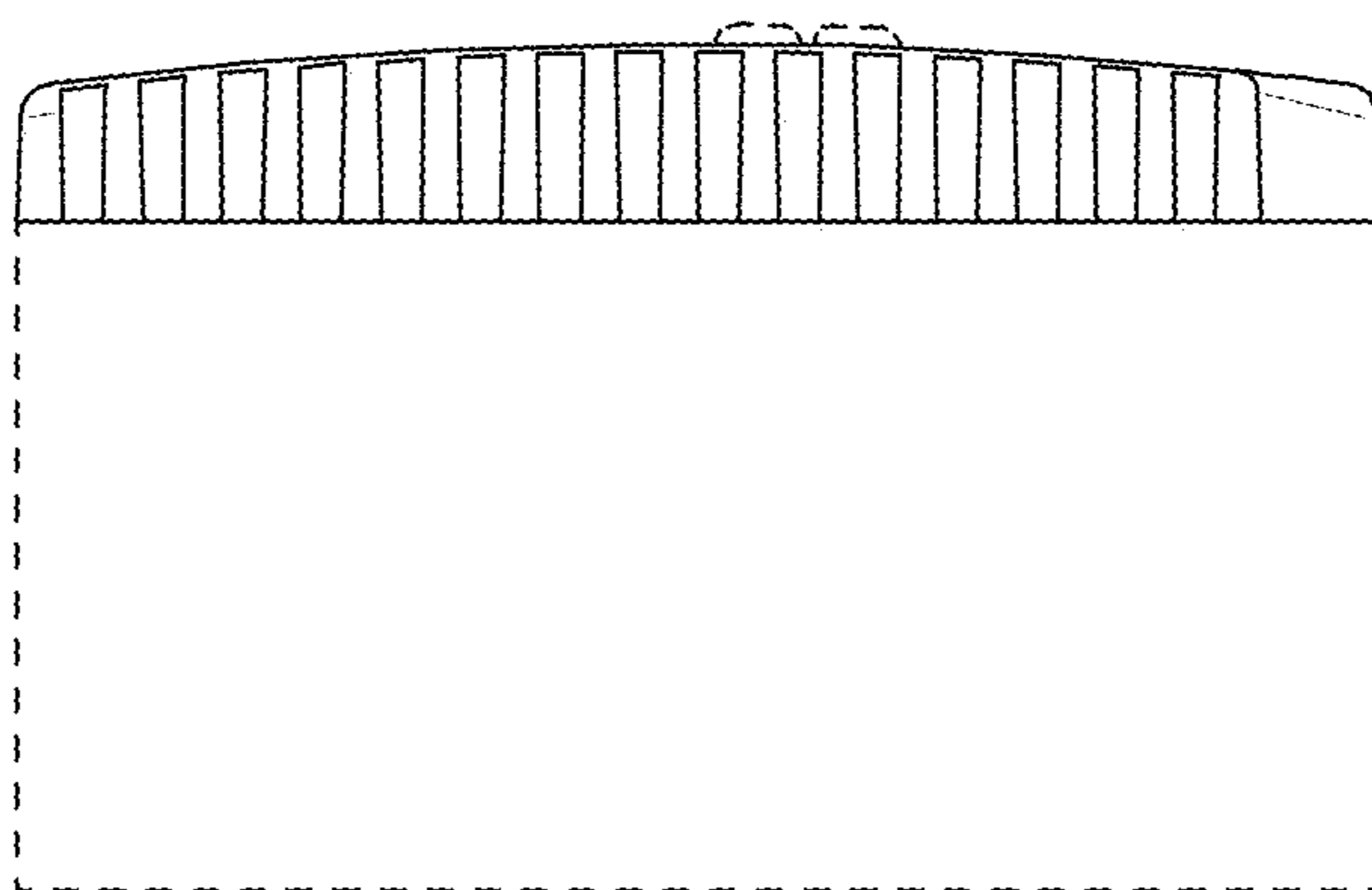


FIG. 4

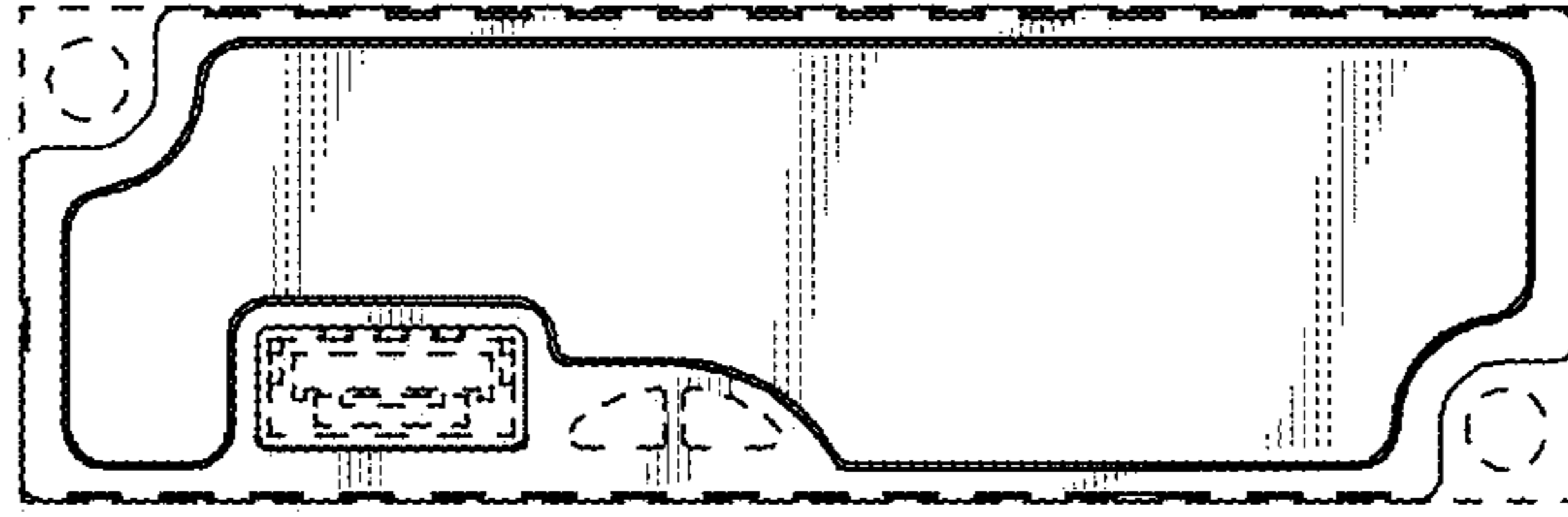


FIG. 5



FIG. 6

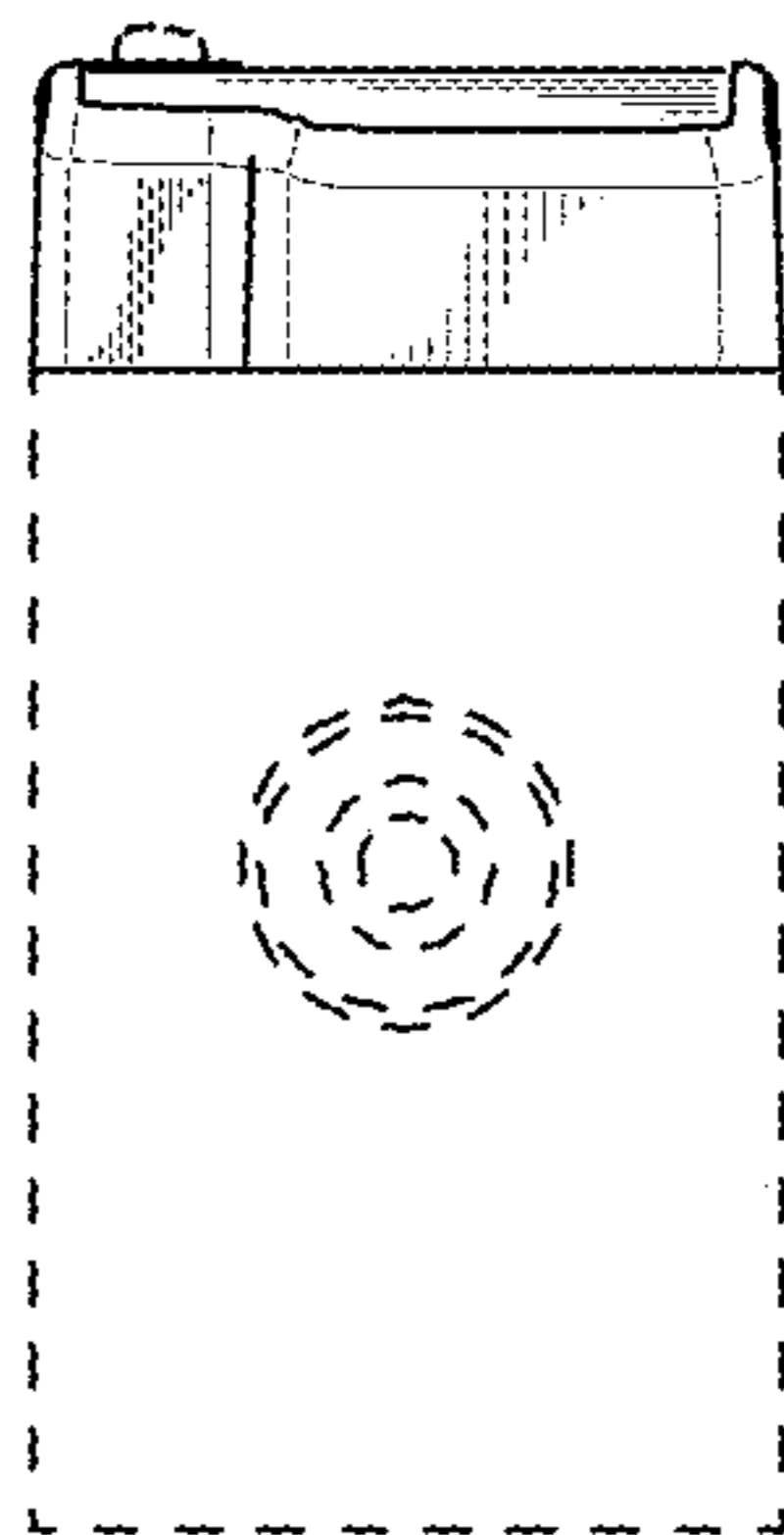


FIG. 7

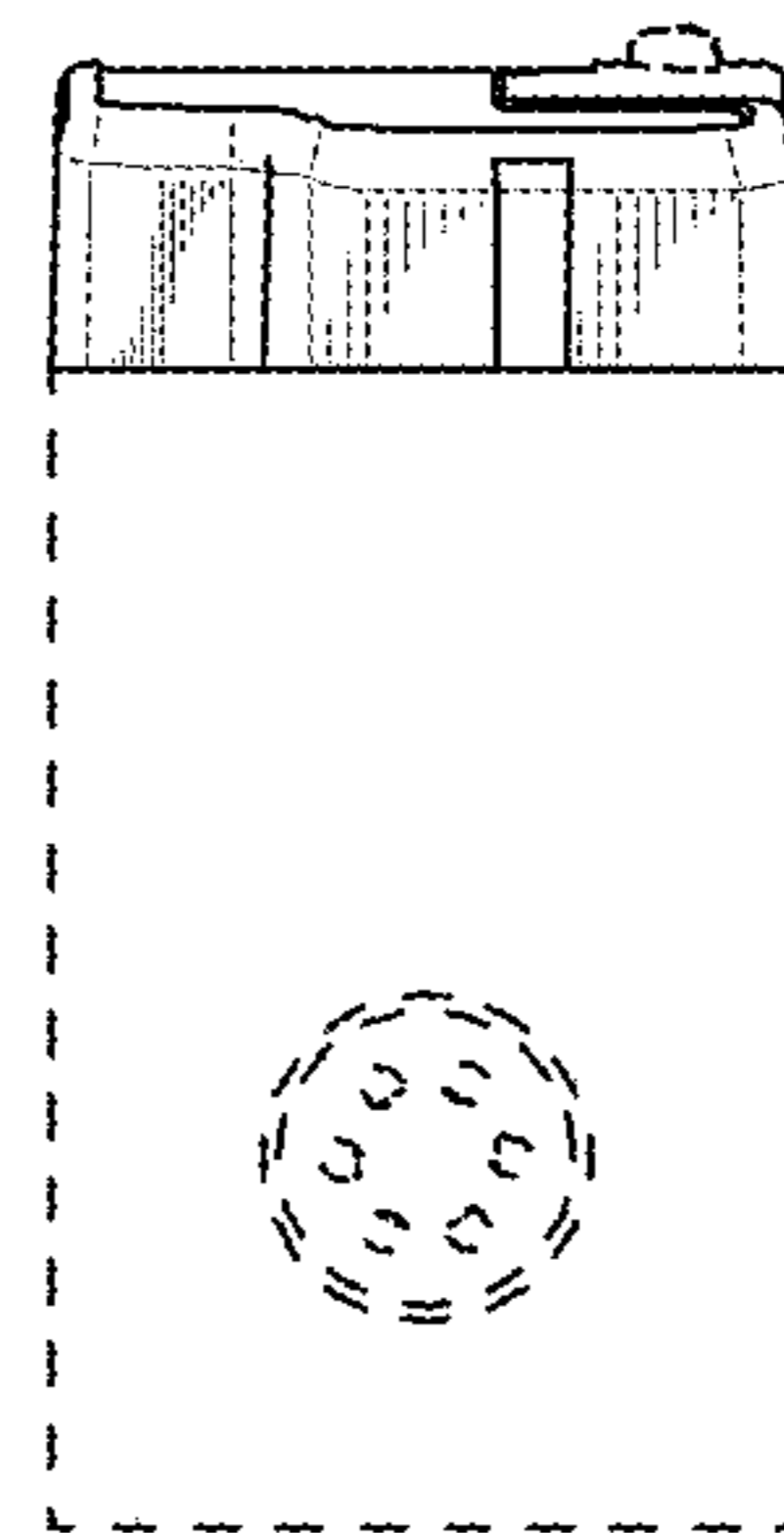


FIG. 8