



US00D970700S

(12) **United States Design Patent**  
**Zhang et al.**

(10) **Patent No.:** **US D970,700 S**

(45) **Date of Patent:** **\*\* Nov. 22, 2022**

(54) **FAUCET WITH HANDLES**

(71) Applicant: **AS America, Inc.**, Piscataway, NJ (US)

(72) Inventors: **Jian Zhang**, Guangzhou (CN); **Fen Liu**, Guangzhou (CN); **Emilie Williams**, New York, NY (US)

(73) Assignee: **AS America, Inc.**, Piscataway, NJ (US)

(\*\*) Term: **15 Years**

(21) Appl. No.: **29/765,872**

(22) Filed: **Jan. 12, 2021**

(30) **Foreign Application Priority Data**

Jul. 15, 2020 (CN) ..... 202030382903.7

(51) **LOC (13) Cl.** ..... **23-01**

(52) **U.S. Cl.**  
USPC ..... **D23/242**

(58) **Field of Classification Search**  
USPC ..... D23/238, 239, 240, 241, 242, 243, 246,  
D23/247, 248, 249, 250, 251, 252, 253,  
D23/254, 255, 256, 257

(Continued)

(56) **References Cited**

**U.S. PATENT DOCUMENTS**

D515,669 S \* 2/2006 Ying-Hui ..... D23/242  
D522,624 S \* 6/2006 Koury ..... D23/252

(Continued)

**FOREIGN PATENT DOCUMENTS**

CN 202130525783.6 \* 8/2021

**OTHER PUBLICATIONS**

Amazon, Glacier Bay Rumson Widespread Bathroom Faucet, posted Aug. 23, 2021, [online], [visited May 17, 2022]. Internet, <URL:

<https://www.amazon.com/Glacier-Bay-Widespread-2-Handle-Bathroom/dp/B09DF99XM4/ref>> (Year: 2021).\*

*Primary Examiner* — Samantha Wood

(74) *Attorney, Agent, or Firm* — Tyler A. Stevenson;  
Anna-lisa L. Gallo

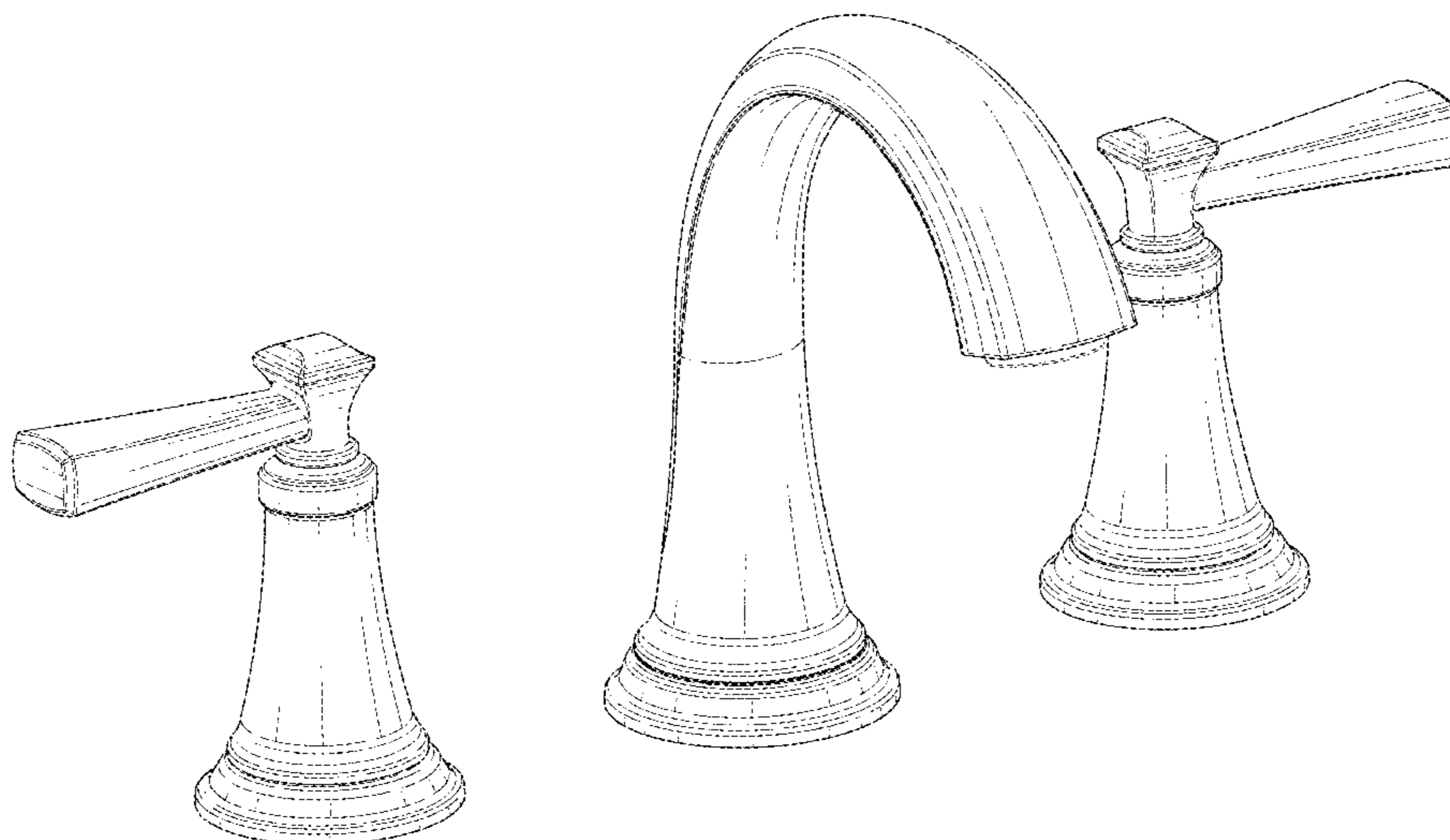
(57) **CLAIM**

We claim the ornamental design for a faucet with handles, as shown and described.

**DESCRIPTION**

FIG. 1 is a front, top, left side perspective view of a faucet with handles showing our new design; FIG. 2 is a front view thereof; FIG. 3 is a rear view thereof; FIG. 4 is a left side view thereof; FIG. 5 is a right side view thereof; FIG. 6 is a top view thereof; FIG. 7 is a bottom view thereof; and FIG. 8 is a front, bottom, left side perspective view thereof; FIG. 9 is a front, top, left side perspective view of the handle shown in FIG. 1; FIG. 10 is a front view thereof; FIG. 11 is a rear view thereof; FIG. 12 is a left side view thereof; FIG. 13 is a right side view thereof; FIG. 14 is a top view thereof; FIG. 15 is a bottom view thereof; and FIG. 16 is a front, bottom, left side perspective view thereof; FIG. 17 is a front, top, left side perspective view of the faucet shown in FIG. 1; FIG. 18 is a front view thereof; FIG. 19 is a rear view thereof; FIG. 20 is a left side view thereof; FIG. 21 is a right side view thereof; FIG. 22 is a top view thereof; FIG. 23 is a bottom view thereof; and, FIG. 24 is a front, bottom, left side perspective view thereof. Broken lines of the disclosure represent portions of the faucet with handles that form no part of the claimed design.

**1 Claim, 15 Drawing Sheets**



(58) **Field of Classification Search**

CPC ..... E03C 1/00; E03C 1/01; E03C 1/02; E03C  
1/023; E03C 1/04; E03C 1/0401; E03C  
1/0403; E03C 1/0404; E03C 1/0412;  
E03C 1/05; E03C 1/042; F16K 31/60

See application file for complete search history.

(56) **References Cited**

U.S. PATENT DOCUMENTS

D532,085	S	*	11/2006	Svendsen .....	D23/242
D563,525	S	*	3/2008	Zhu .....	D23/242
D574,060	S	*	7/2008	Yin .....	D23/241
D582,522	S	*	12/2008	Hanna .....	D23/250
D606,169	S	*	12/2009	Lammel .....	D23/242
D667,089	S	*	9/2012	Kwok .....	D23/242
D791,279	S	*	7/2017	Fritz .....	D23/242
D810,878	S	*	2/2018	Garland .....	D23/242
D834,148	S	*	11/2018	Thomas .....	D23/242
D852,933	S	*	7/2019	Garland .....	D23/249
D856,487	S	*	8/2019	Spangler .....	D23/242

\* cited by examiner

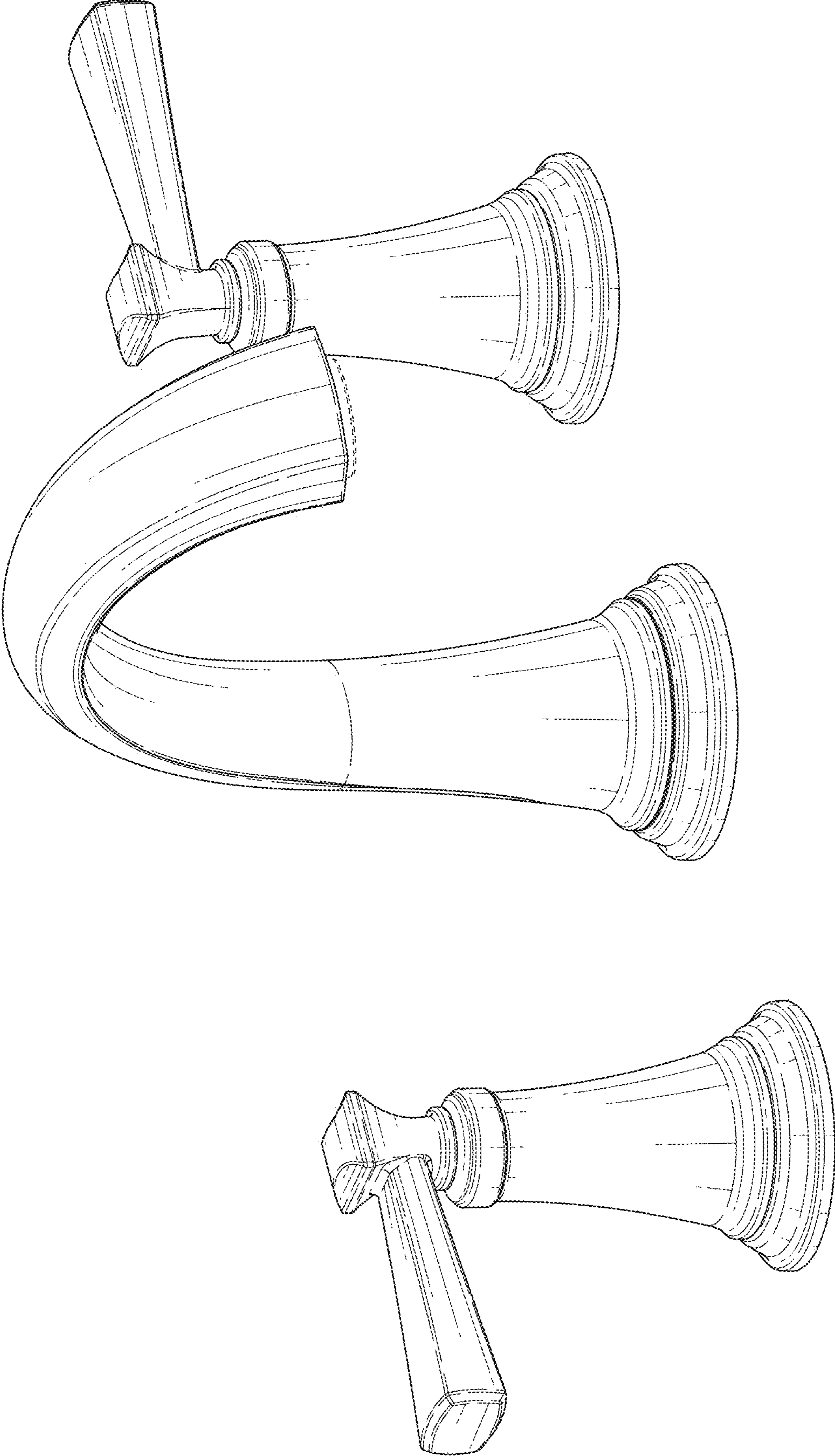


FIG. 1

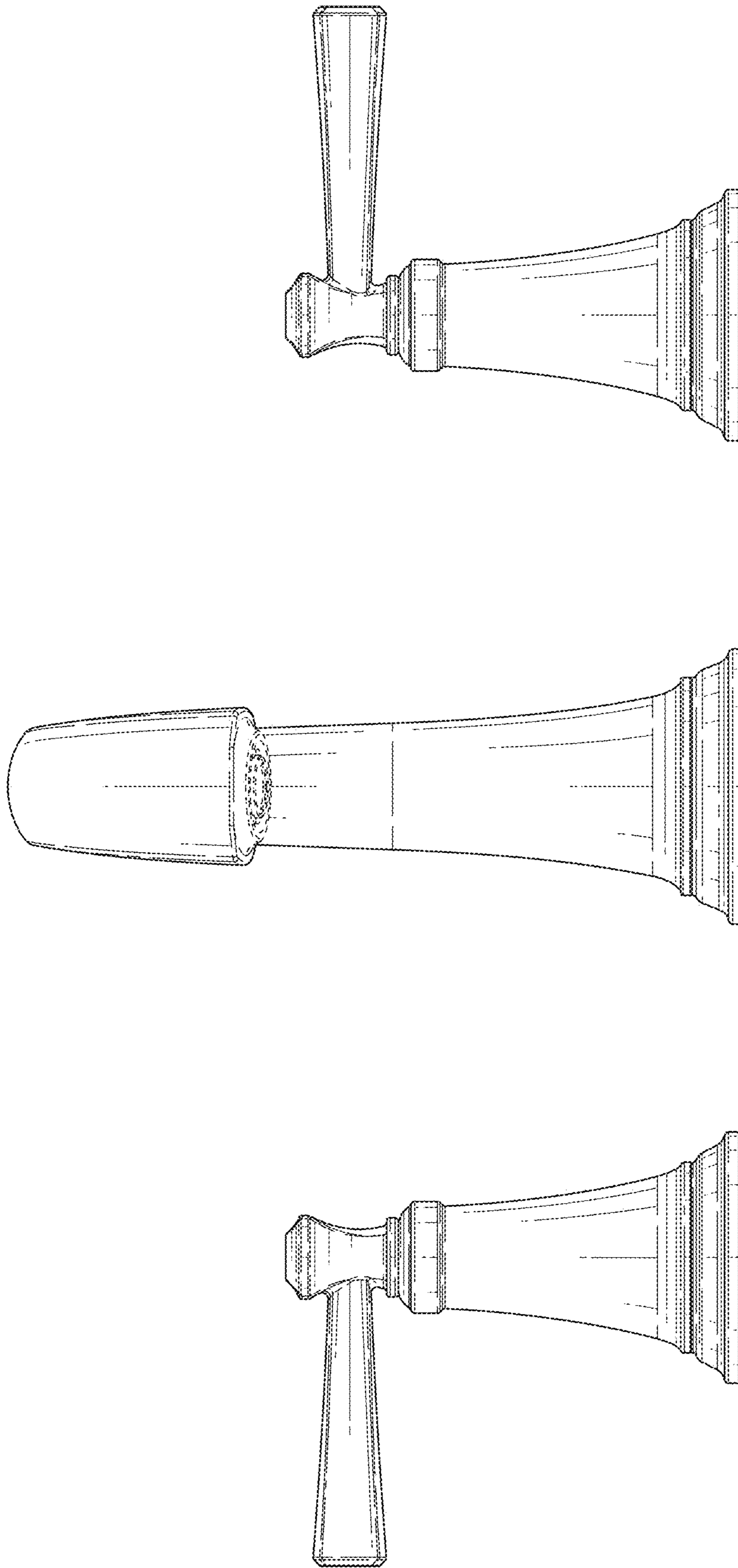


FIG. 2

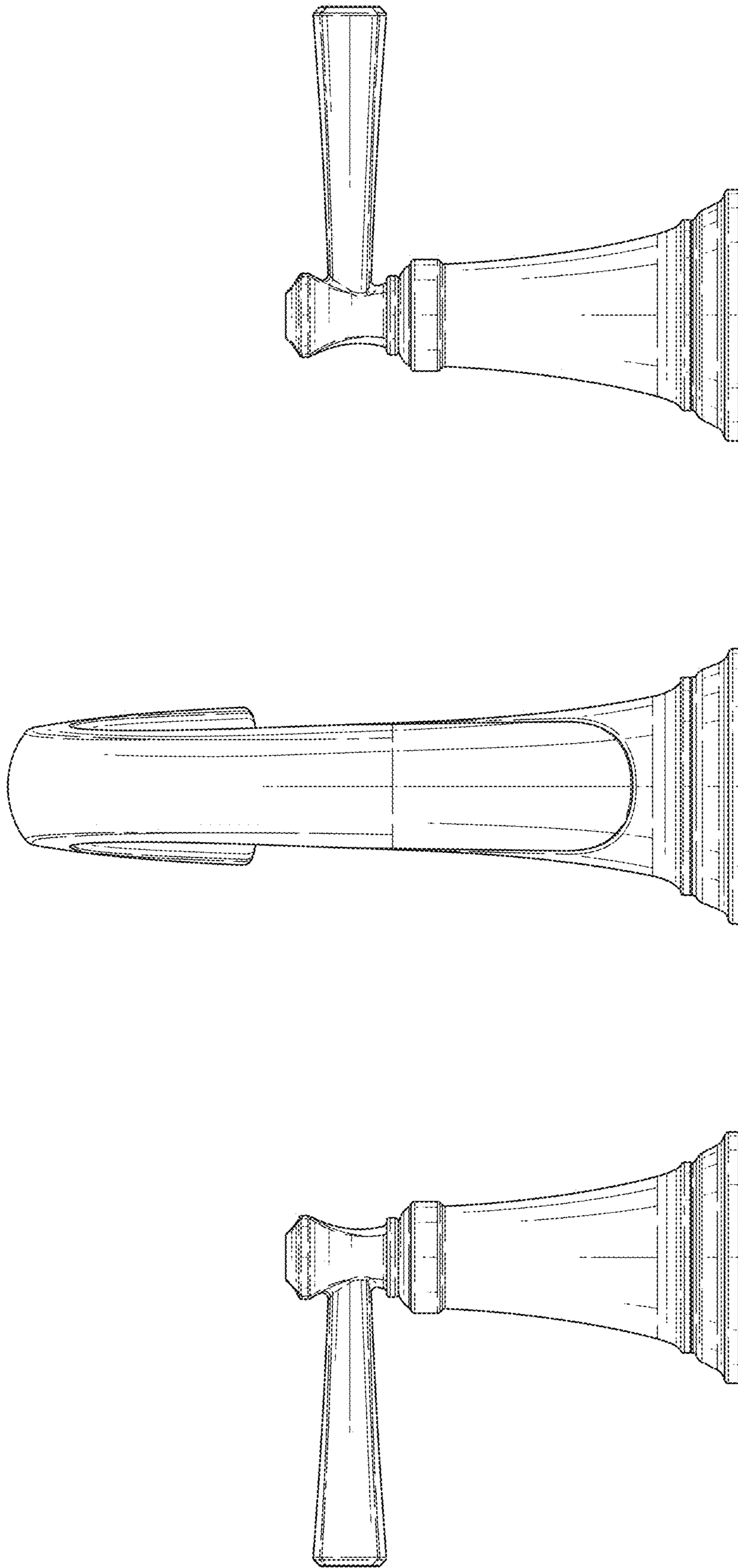


FIG. 3

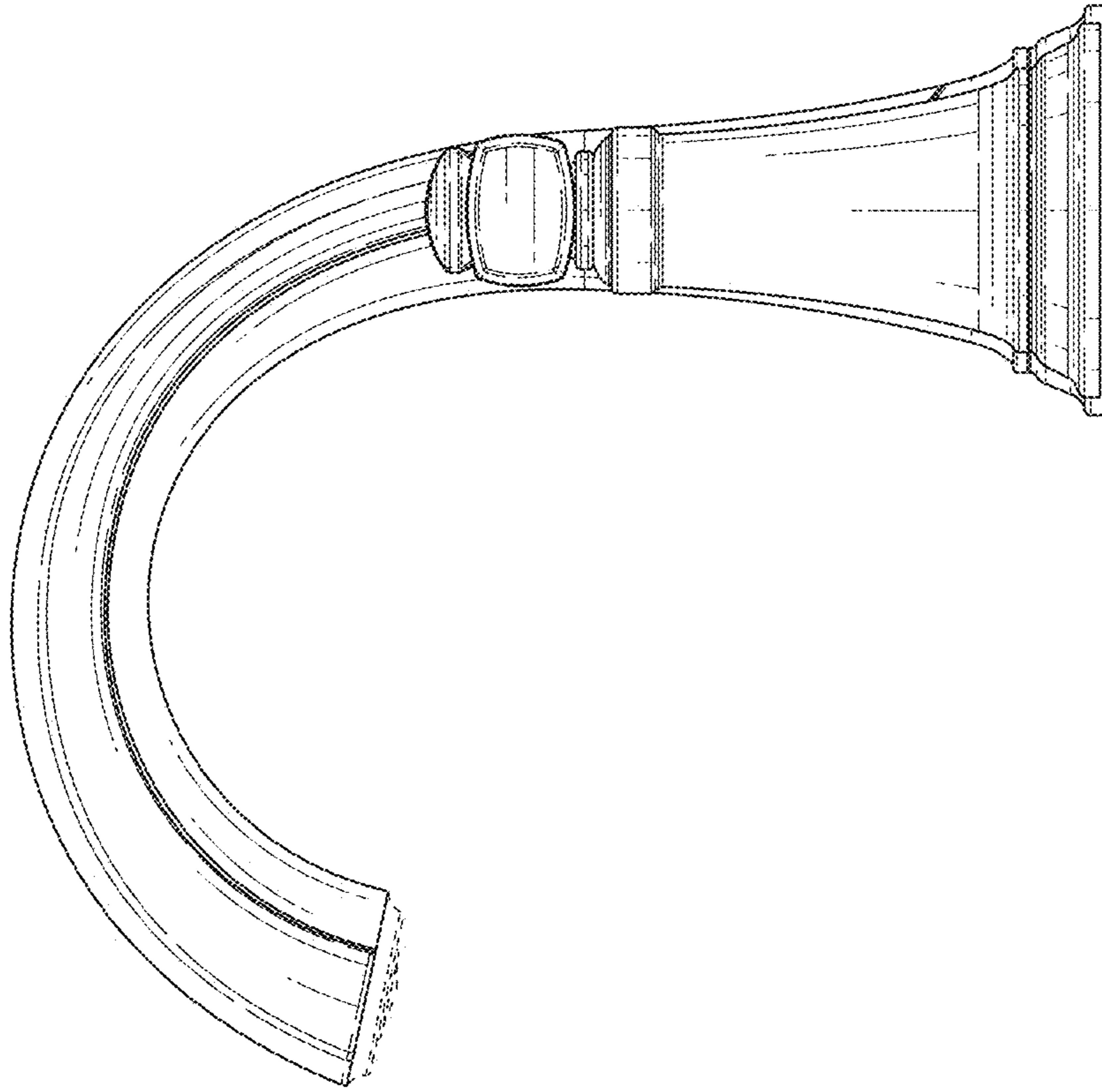


FIG. 5

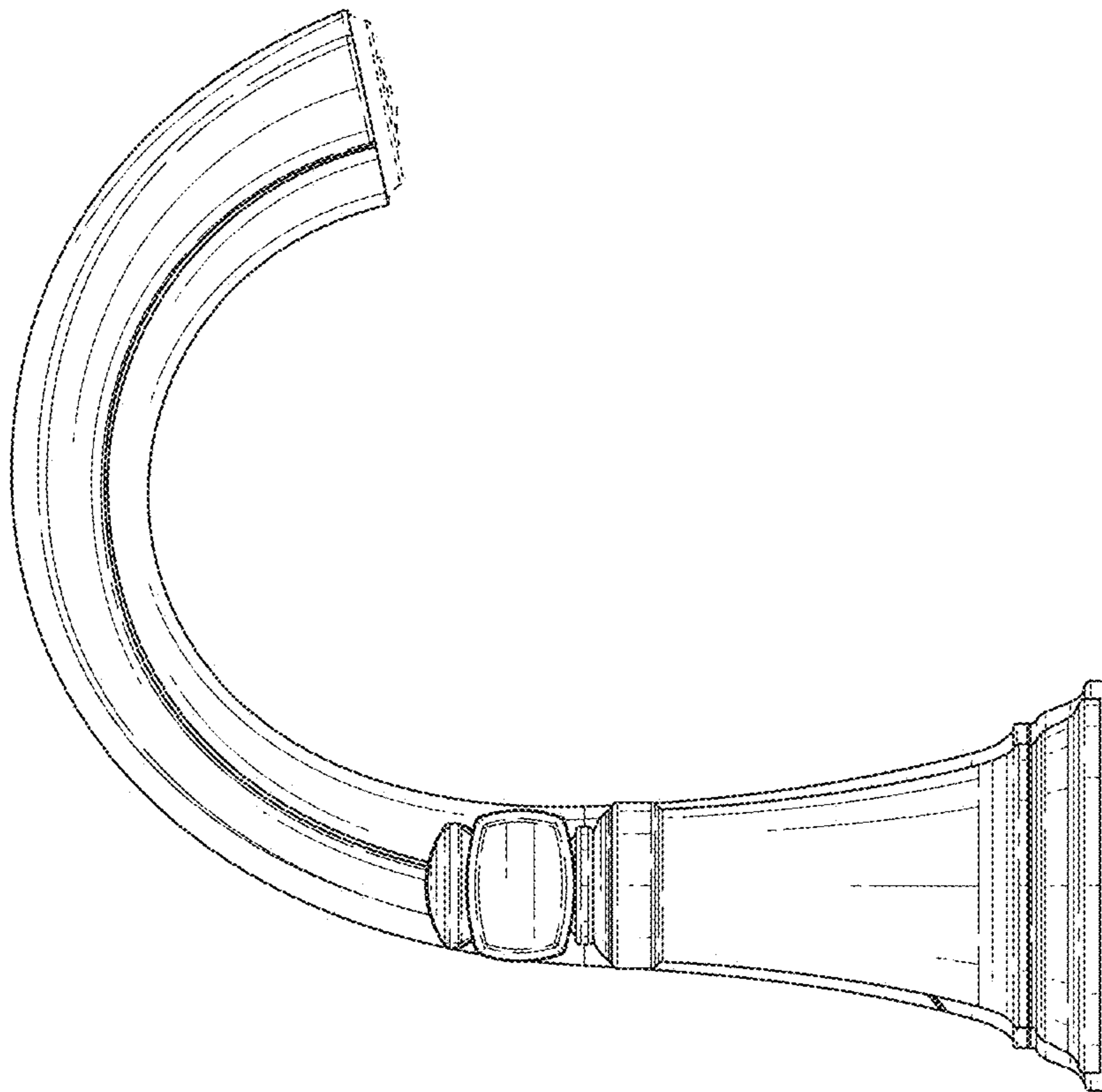


FIG. 4

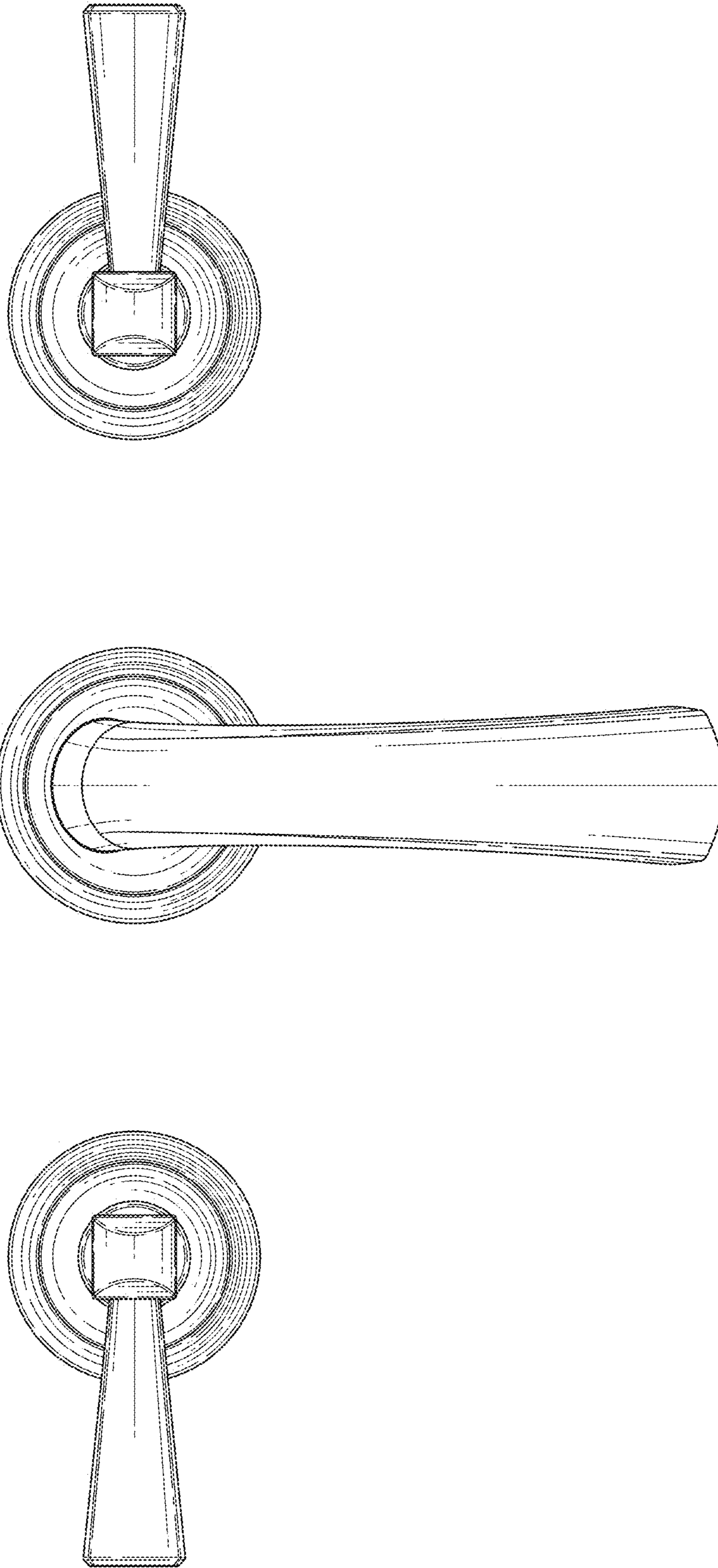


FIG. 6

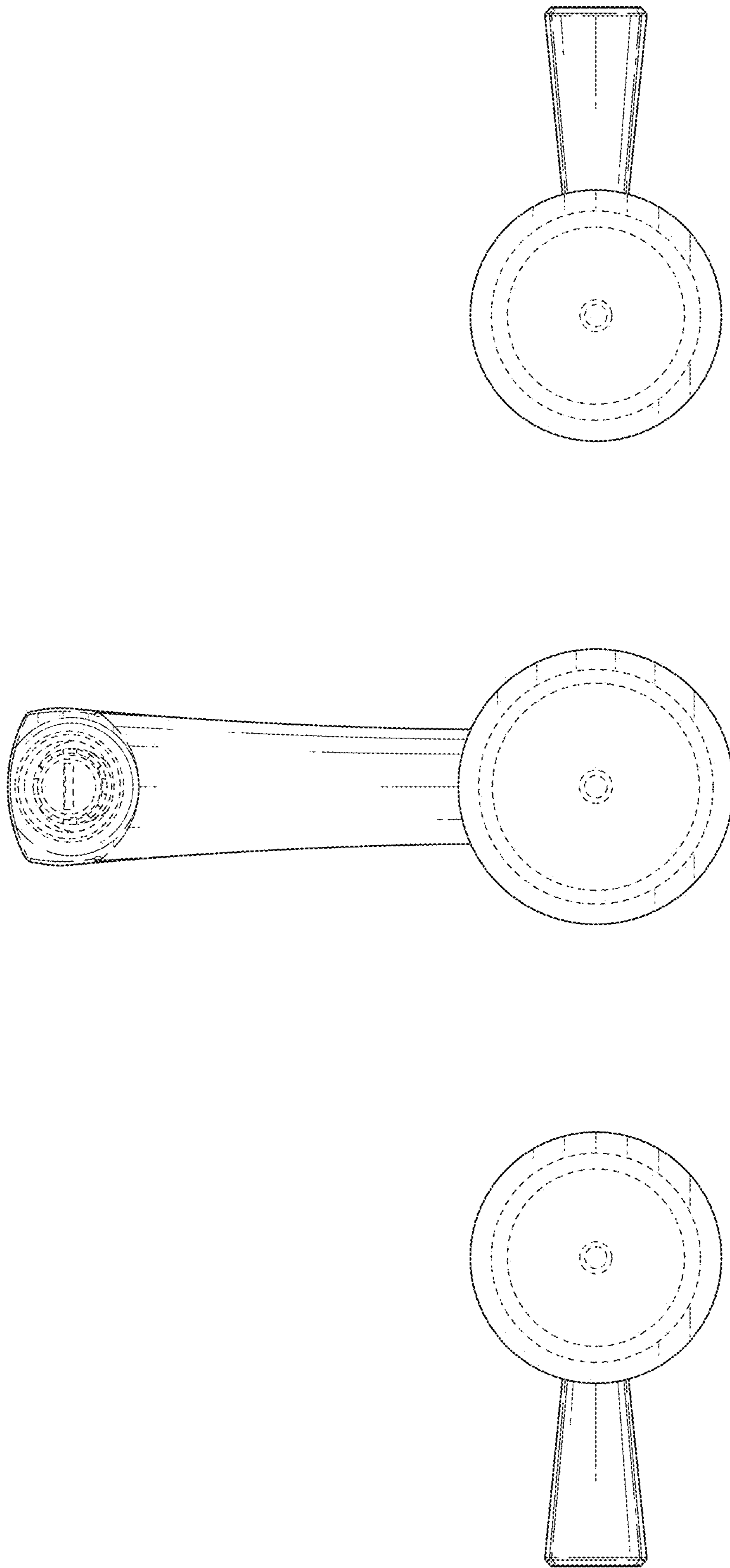


FIG. 7



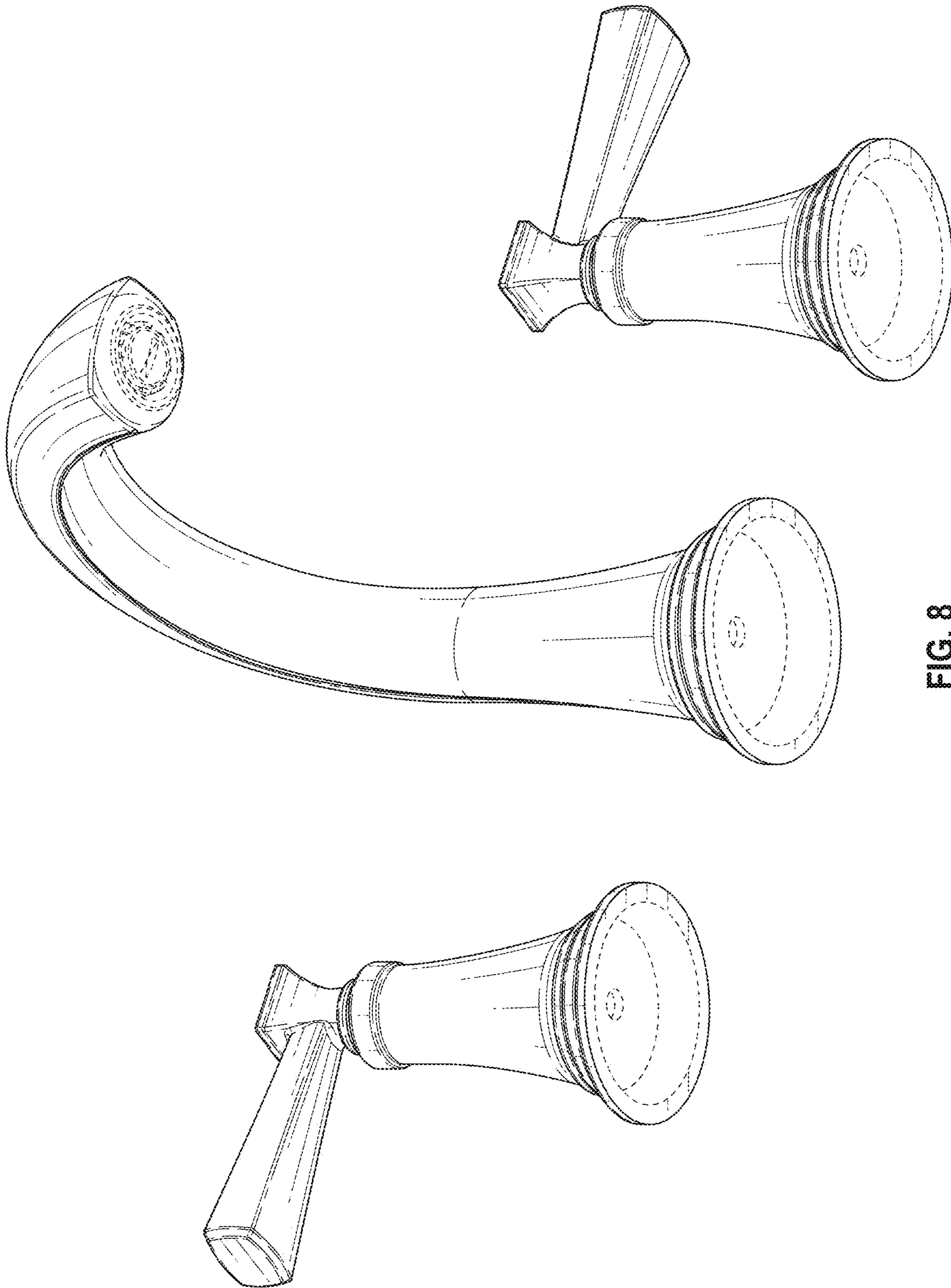


FIG. 8

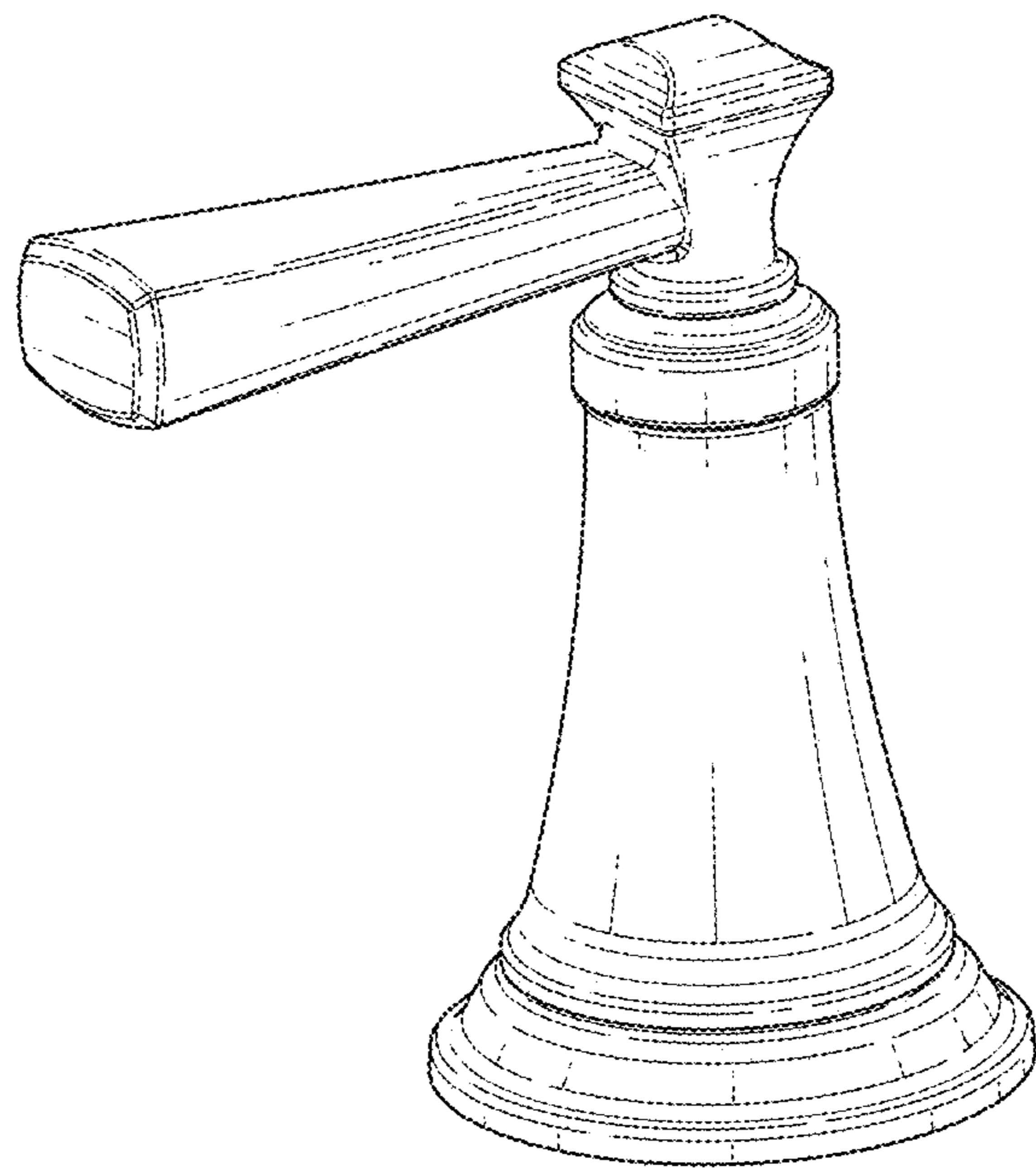


FIG. 9

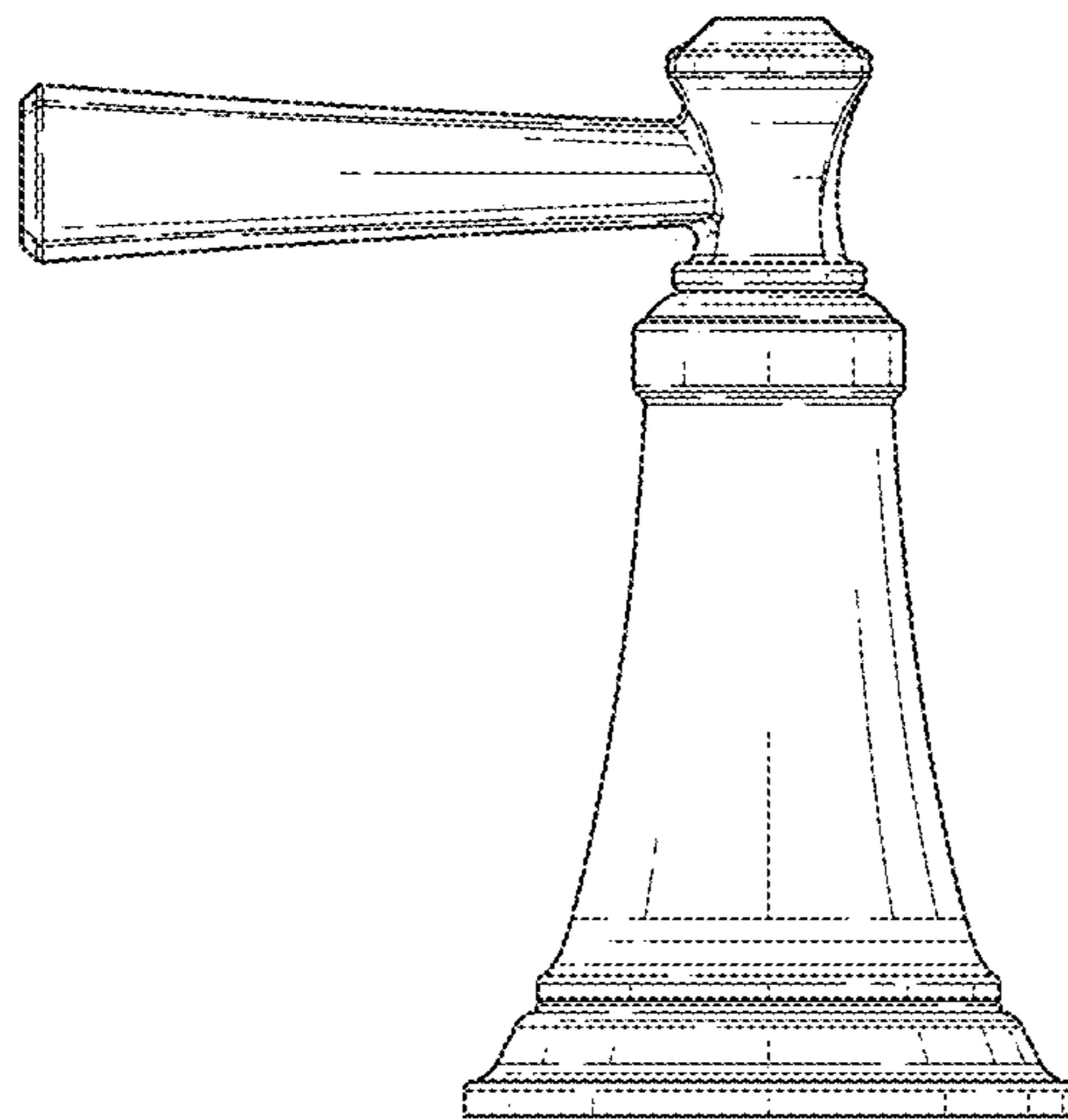


FIG. 10

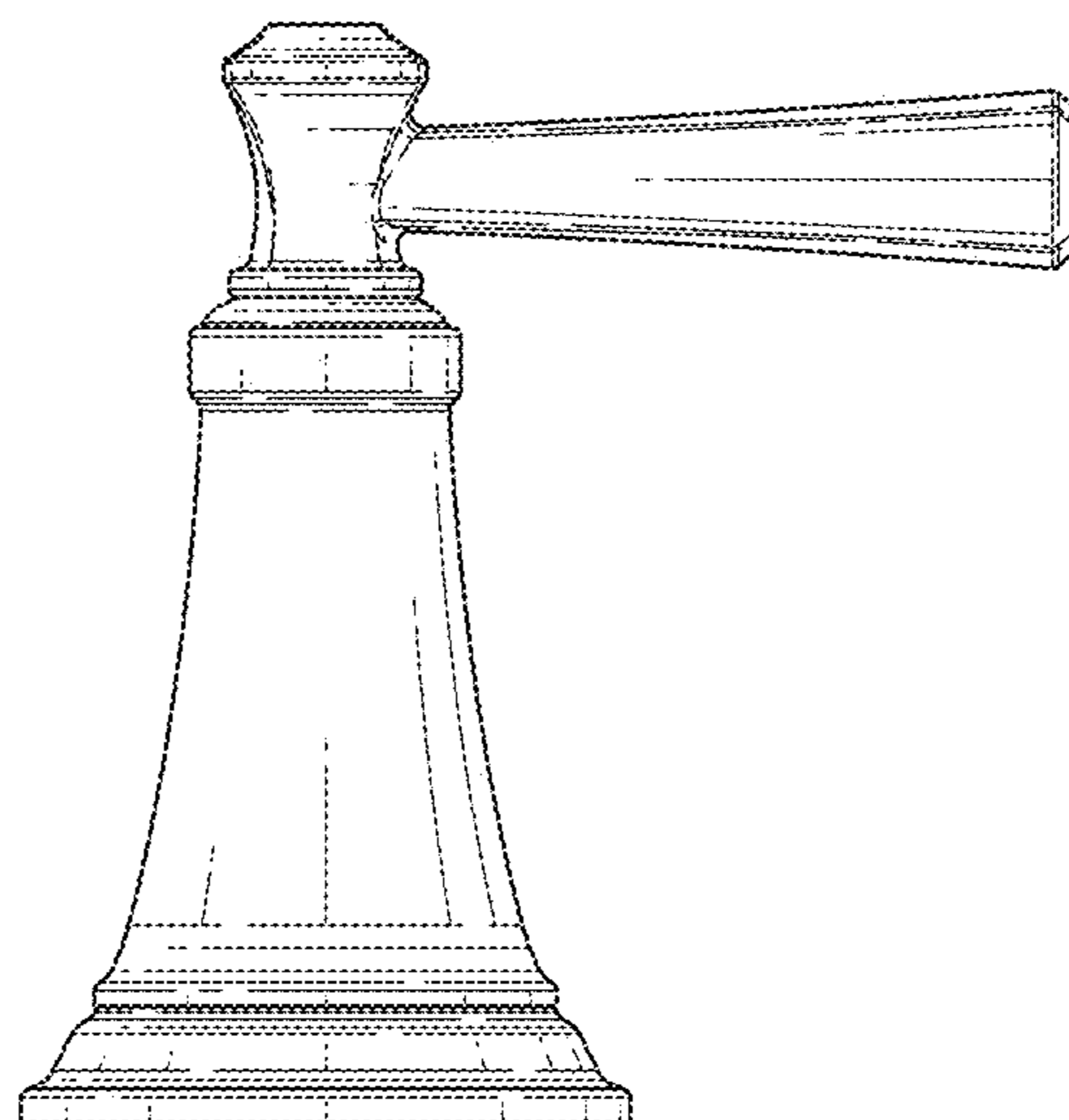


FIG. 11

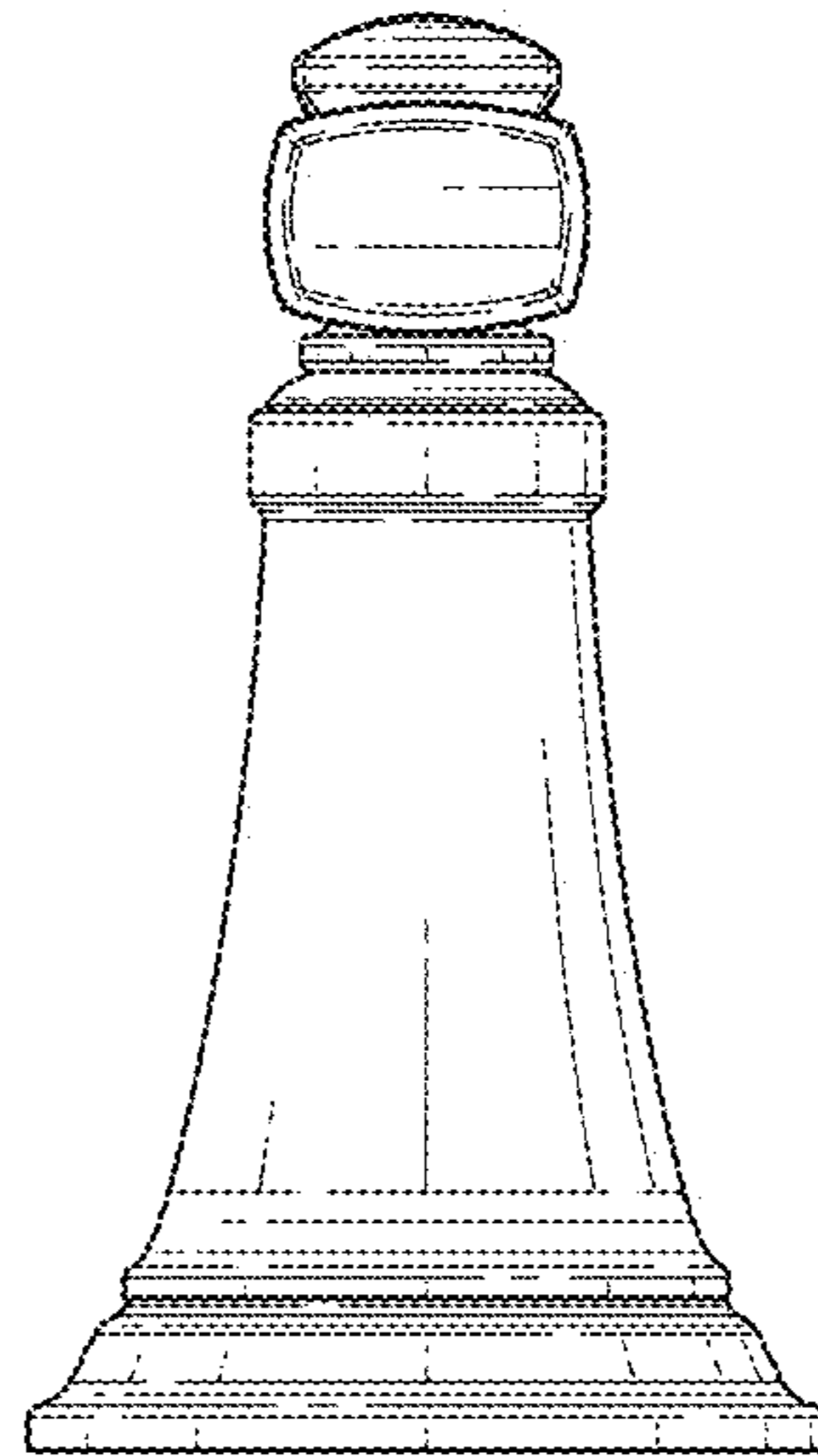


FIG. 12

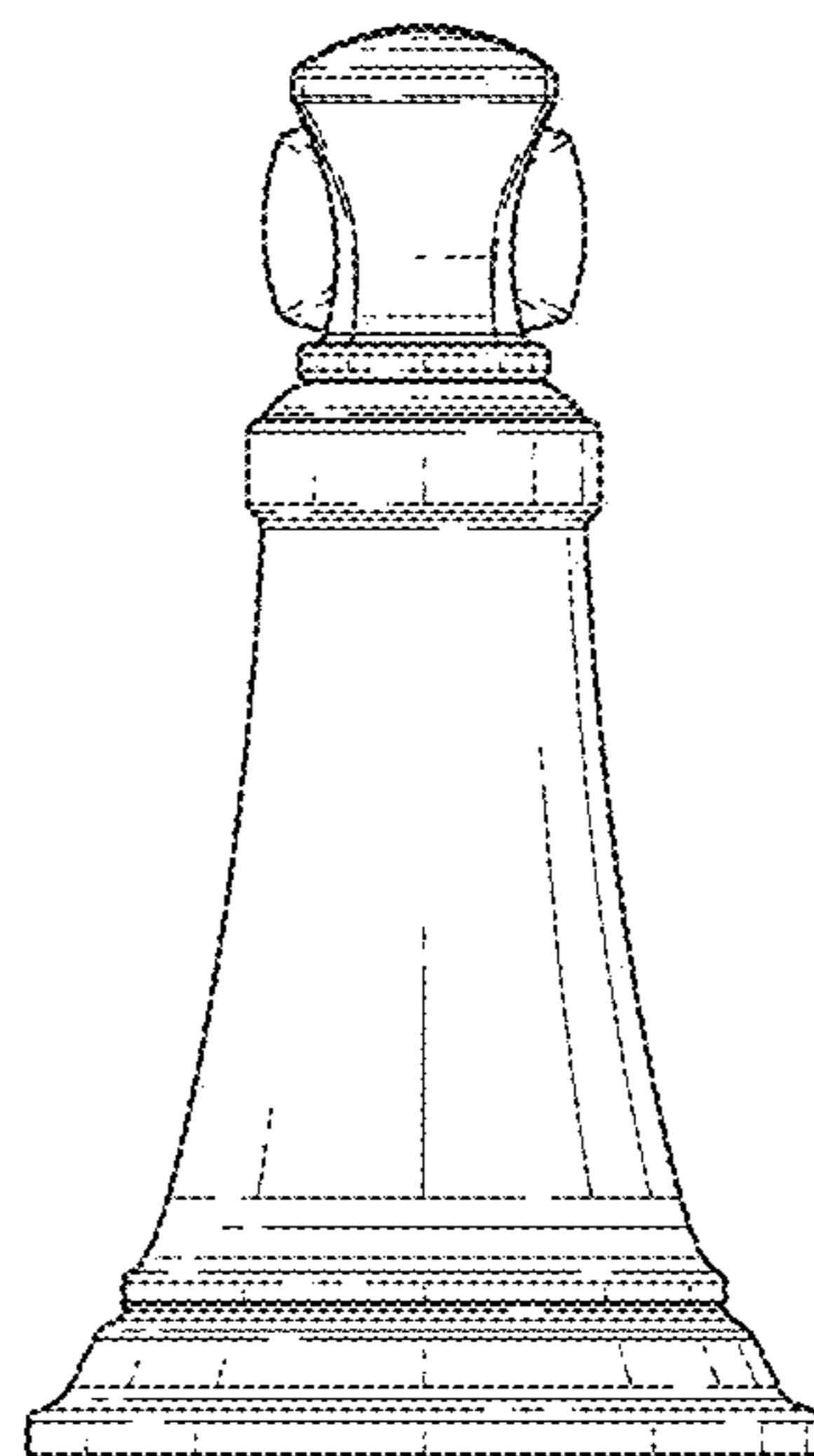


FIG. 13

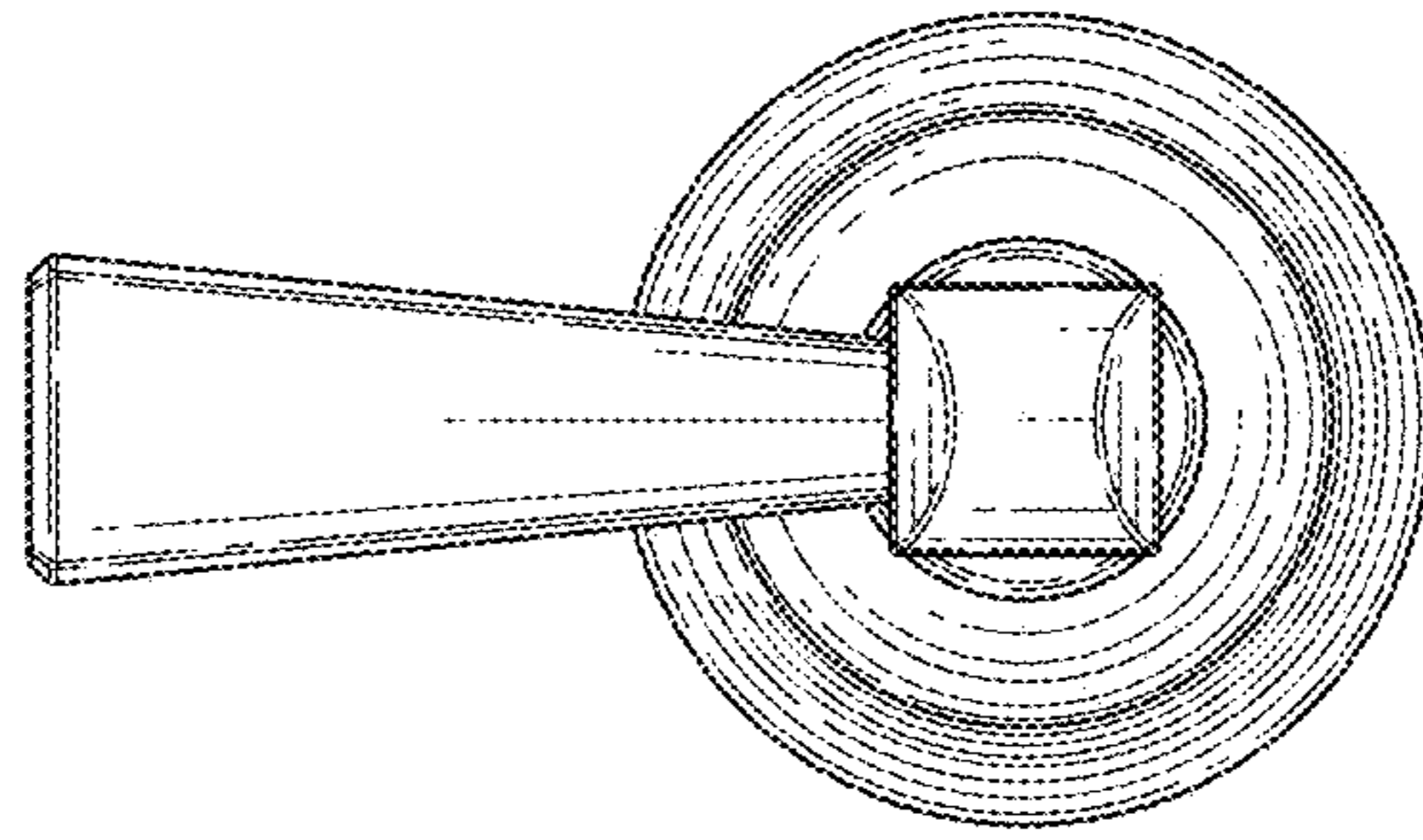


FIG. 14

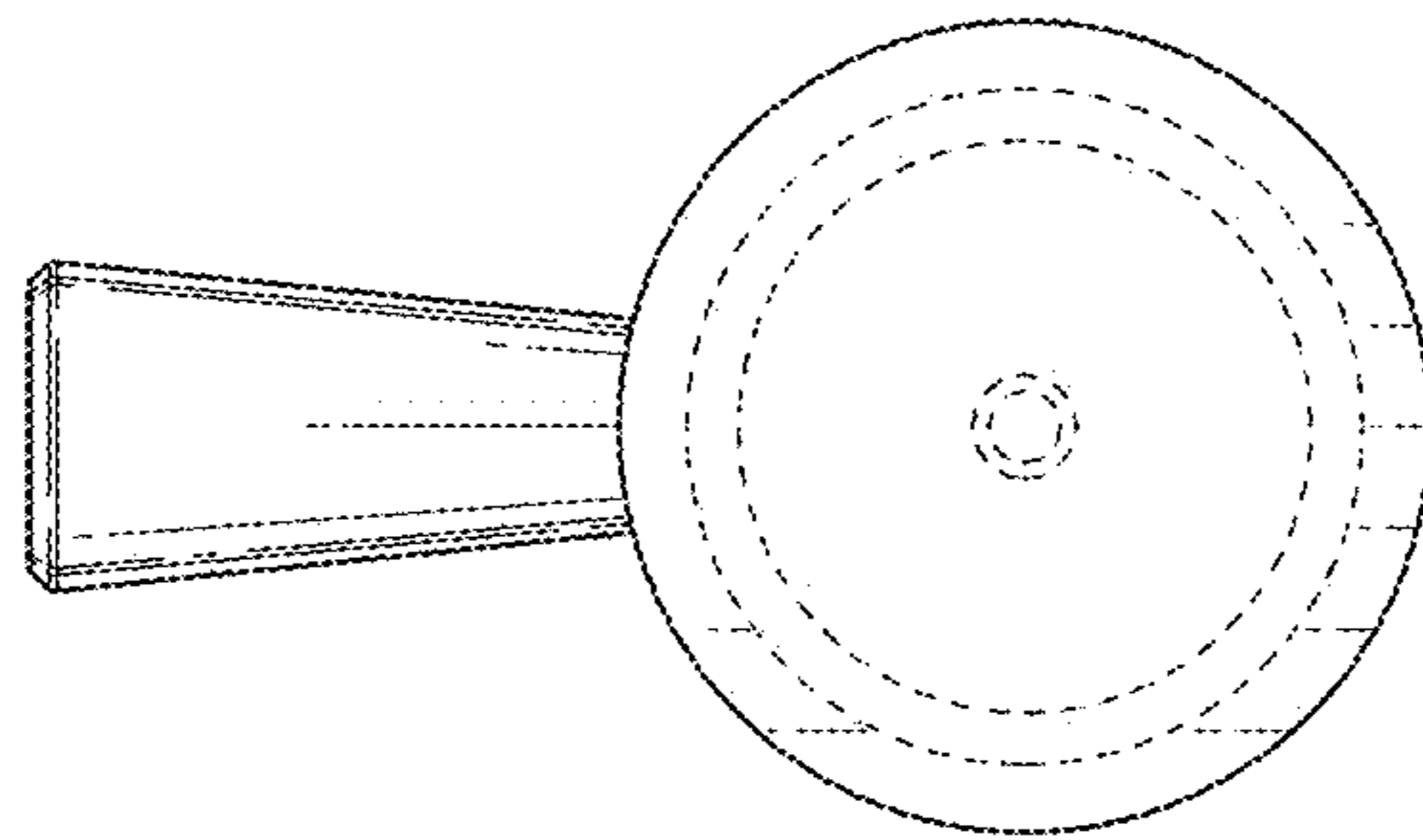


FIG. 15

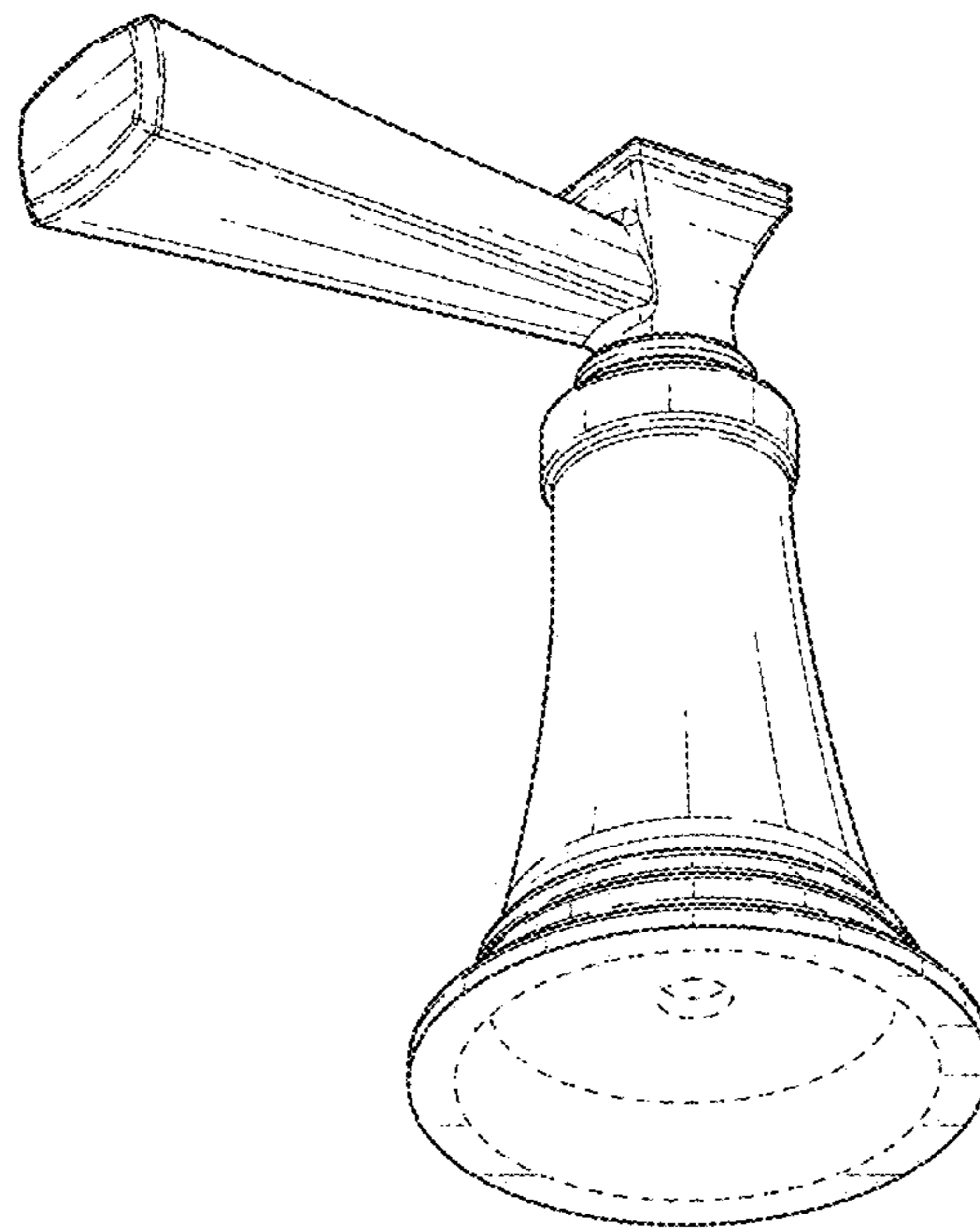


FIG. 16

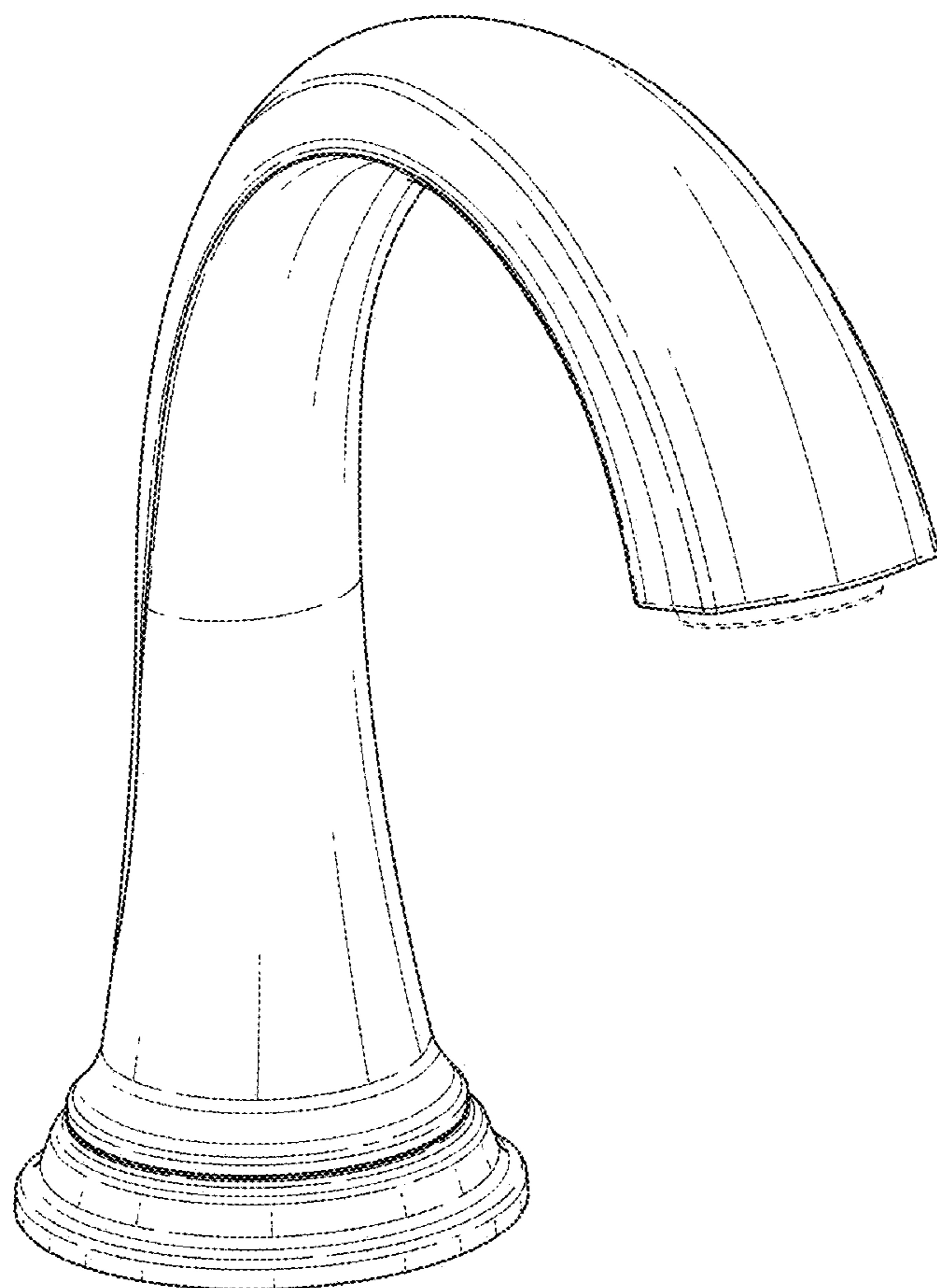


FIG. 17

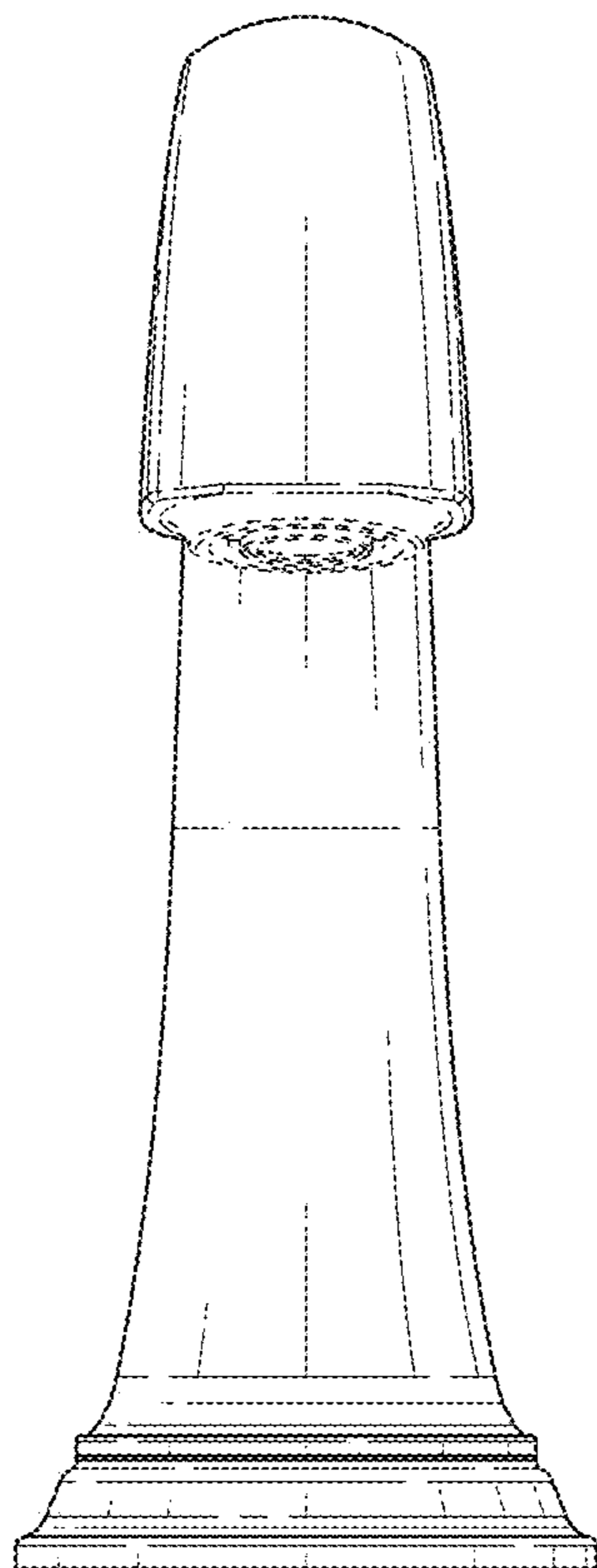


FIG. 18

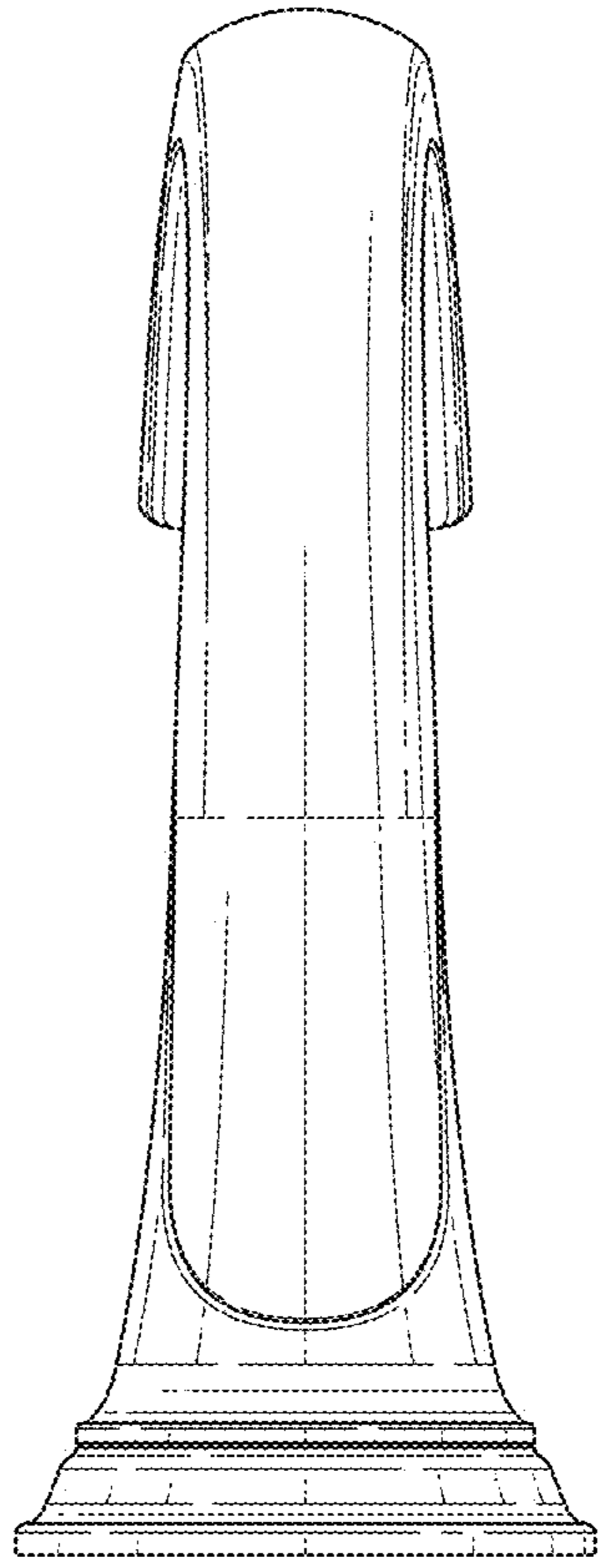


FIG. 19

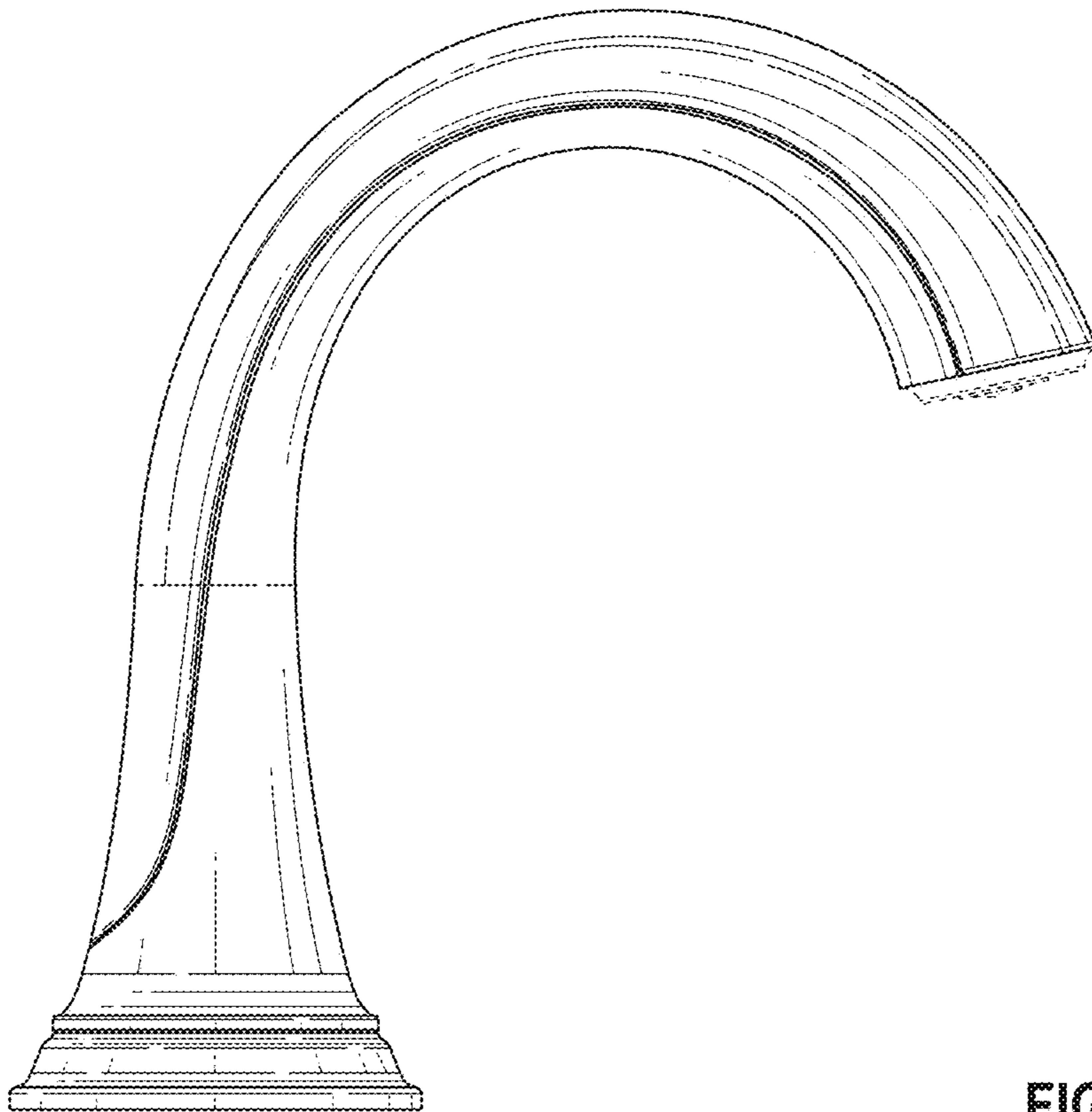


FIG. 20

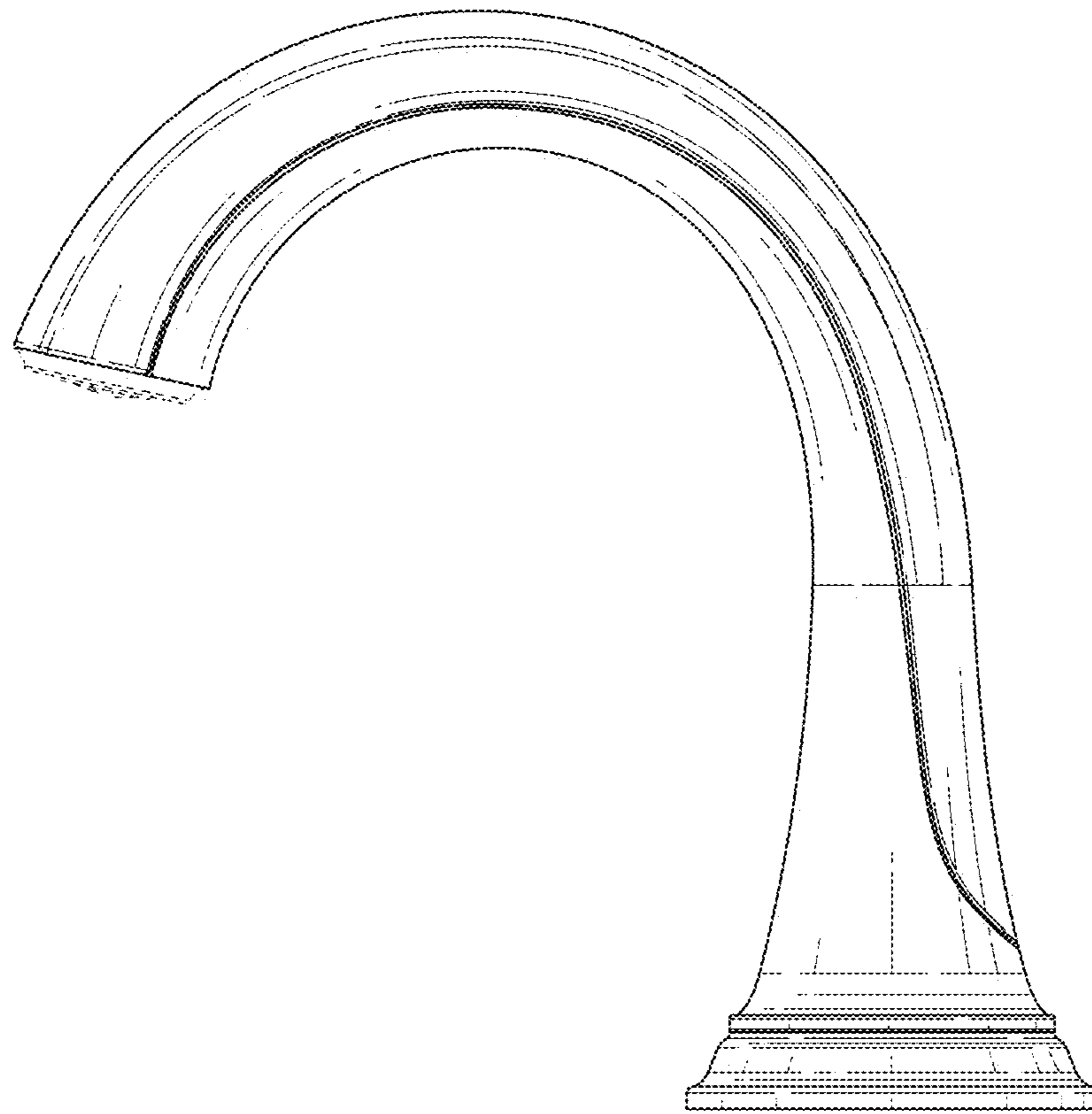


FIG. 21

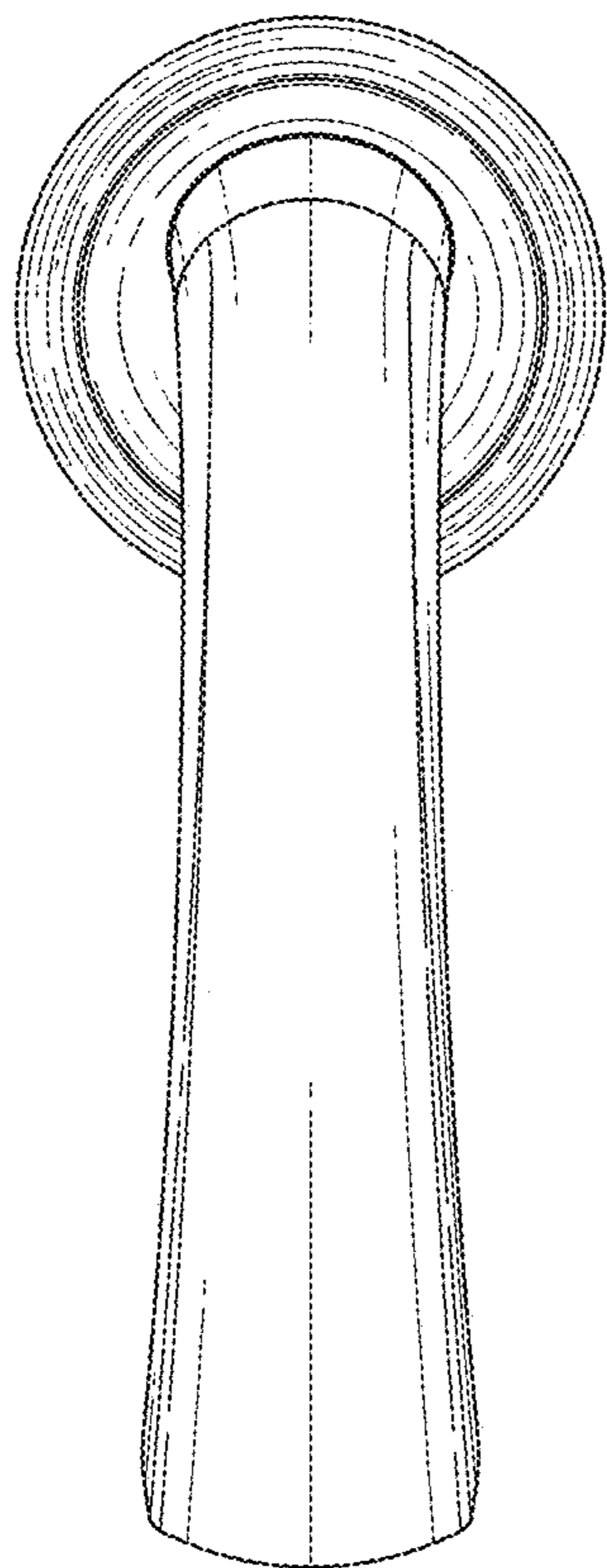


FIG. 22

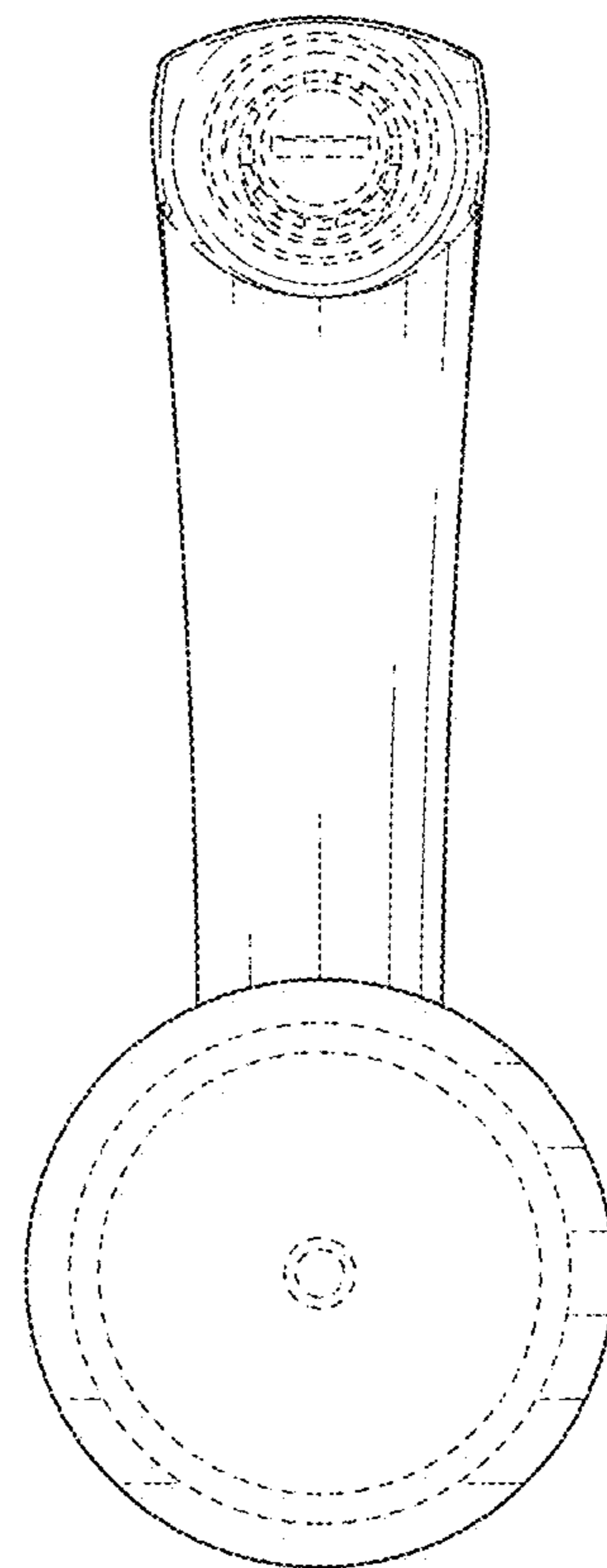


FIG. 23



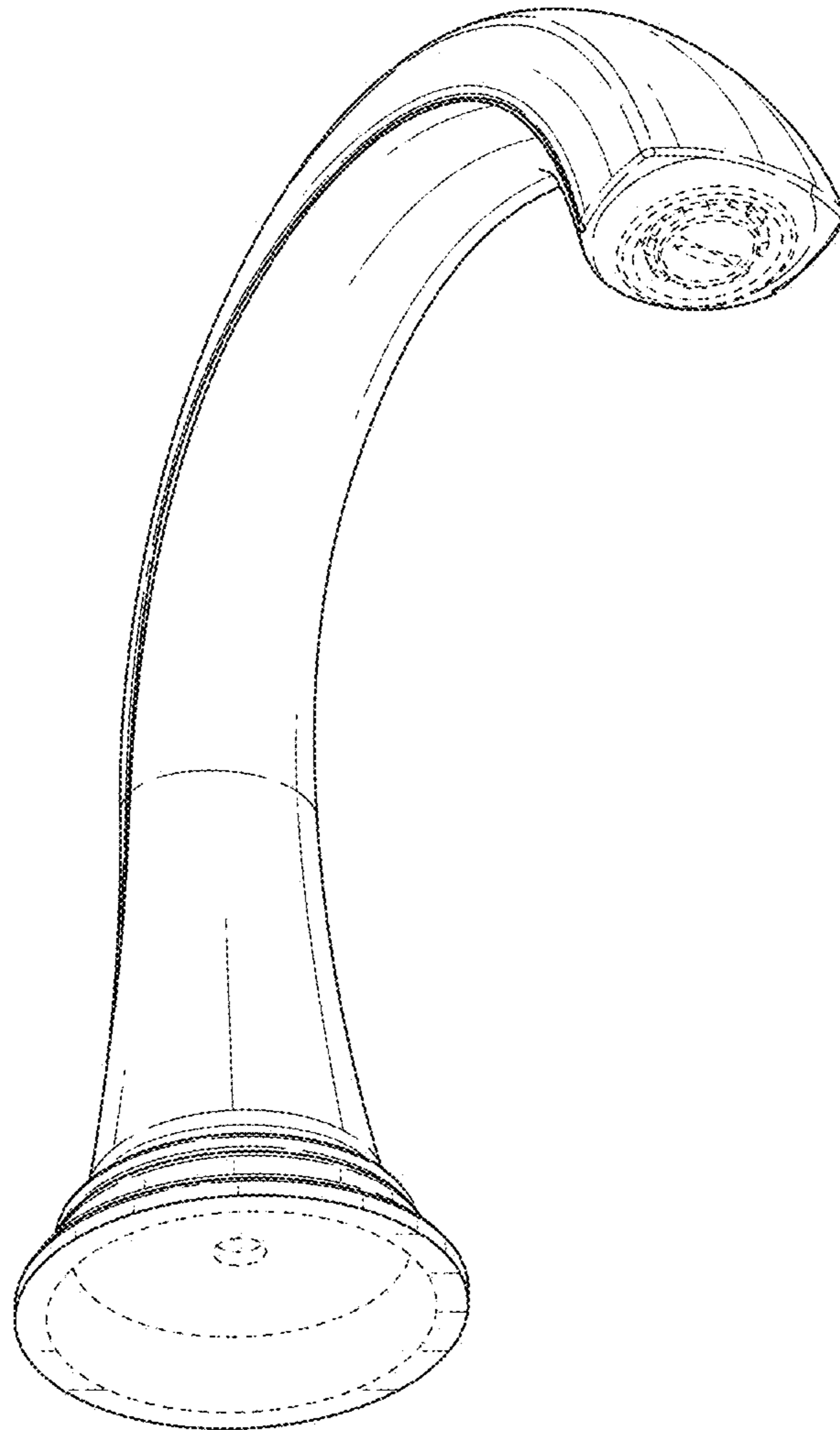


FIG. 24