



US00D970699S

(12) **United States Design Patent**  
**Wang**

(10) **Patent No.:** **US D970,699 S**

(45) **Date of Patent:** **\*\* Nov. 22, 2022**

(54) **WATER TAP**

(71) Applicant: **TAIZHOU MINUOTE Sanitary Wares Co., Ltd.**, Taizhou (CN)

(72) Inventor: **Pengxin Wang**, Taizhou (CN)

(\*\*) Term: **15 Years**

(21) Appl. No.: **29/844,628**

(22) Filed: **Jun. 30, 2022**

(51) **LOC (13) Cl.** ..... **23-01**

(52) **U.S. Cl.**  
USPC ..... **D23/241**

(58) **Field of Classification Search**  
USPC ..... D23/238, 241–243, 249–250, 252, 254,  
D23/213; D8/307–308, 352  
See application file for complete search history.

(56) **References Cited**

**U.S. PATENT DOCUMENTS**

D470,223 S	2/2003	Tessarollo	
D535,355 S	1/2007	Nord	
D581,016 S	11/2008	Lin	
D592,733 S	5/2009	Lammel	
D622,352 S	8/2010	Cummings	
D633,599 S	3/2011	Cummings	
D634,405 S *	3/2011	Shieh	D23/242
D794,758 S *	8/2017	Block	D23/249
D803,356 S	11/2017	Lucchese	
D828,514 S	9/2018	Ryu	

D828,520 S	9/2018	Ryu	
D857,175 S	8/2019	Chen	
D883,441 S *	5/2020	Carr	D23/242
D954,176 S *	6/2022	Shang	D23/213

\* cited by examiner

*Primary Examiner* — Robert A Delehanty

(74) *Attorney, Agent, or Firm* — Runit Ranjit Kanakia

(57) **CLAIM**

The ornamental design for a water tap, as shown and described.

**DESCRIPTION**

FIG. 1 is a perspective view of a water tap showing my new design;

FIG. 2 is another perspective view thereof;

FIG. 3 is a front elevational view thereof;

FIG. 4 is a rear elevational view thereof;

FIG. 5 is a left side view thereof, the right side view being a mirror image of FIG. 5;

FIG. 6 is a top plan view thereof;

FIG. 7 is a bottom plan view thereof;

FIG. 8 is a partial enlarged view of FIG. 1;

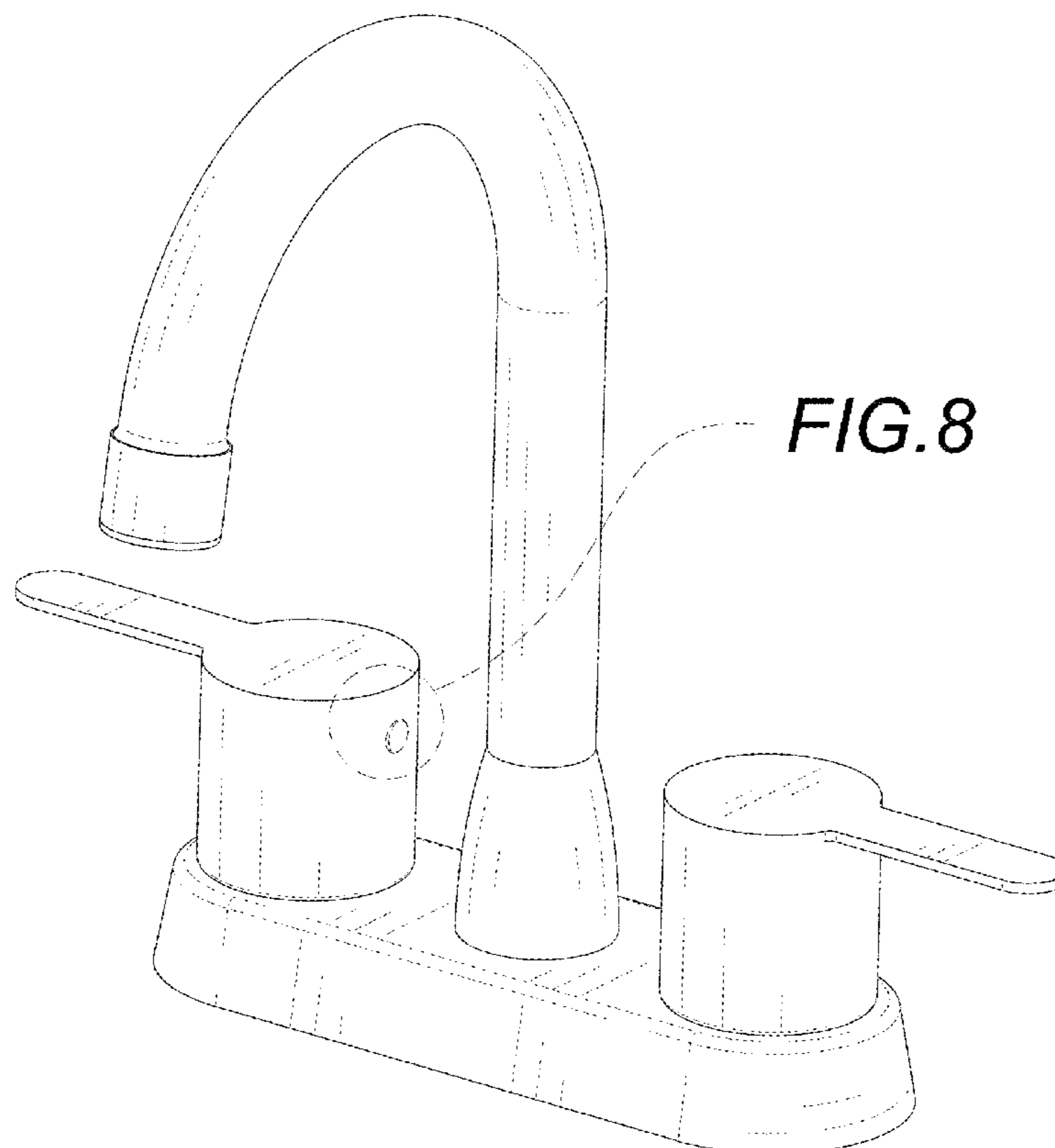
FIG. 9 is a partial enlarged view of FIG. 2;

FIG. 10 is a partial enlarged view of FIG. 2; and,

FIG. 11 is a partial enlarged view of FIG. 7.

The broken lines in the figures are for the purposes of illustrating portions of the water tap, which form no part of the claimed design.

**1 Claim, 10 Drawing Sheets**



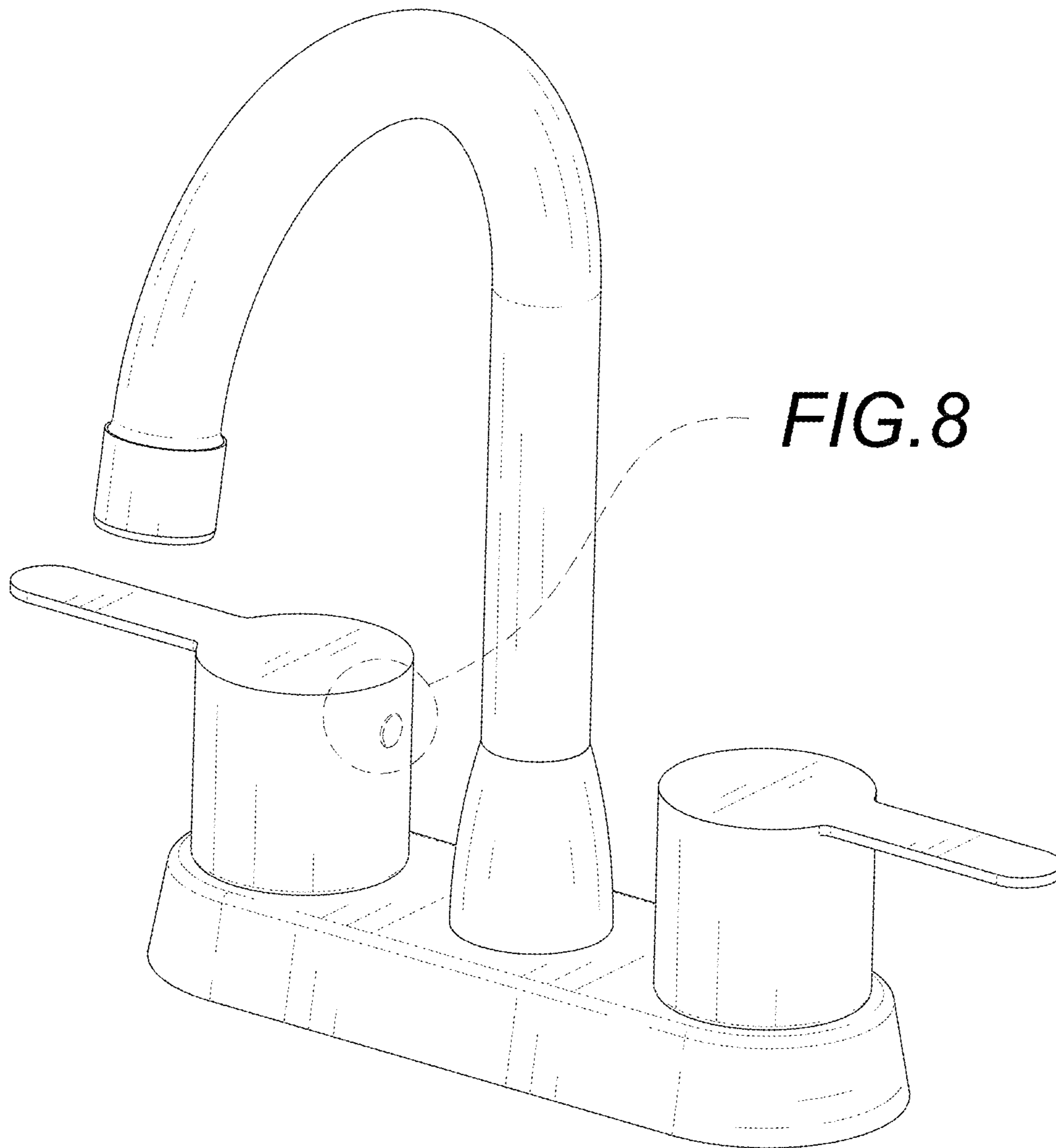
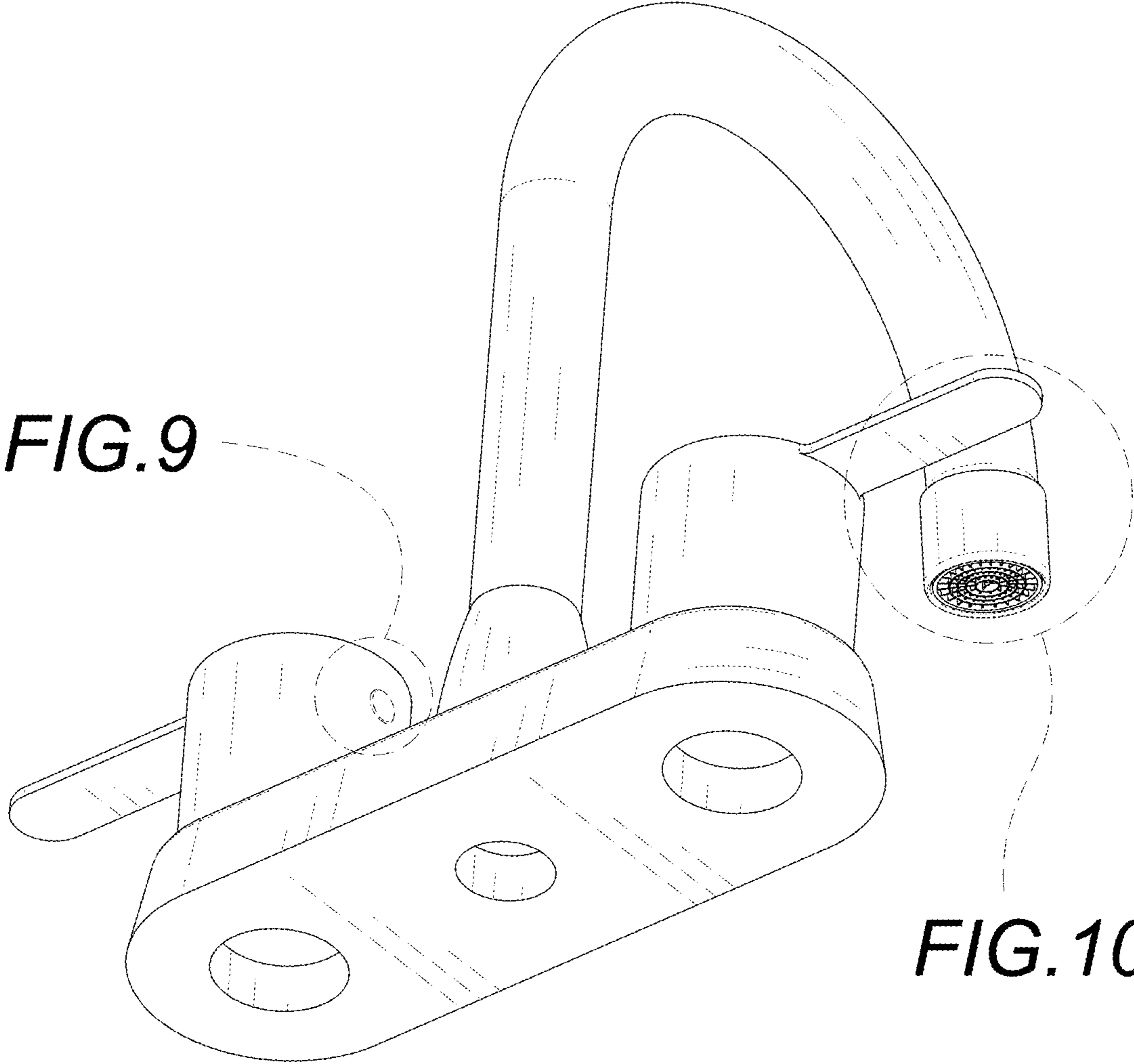
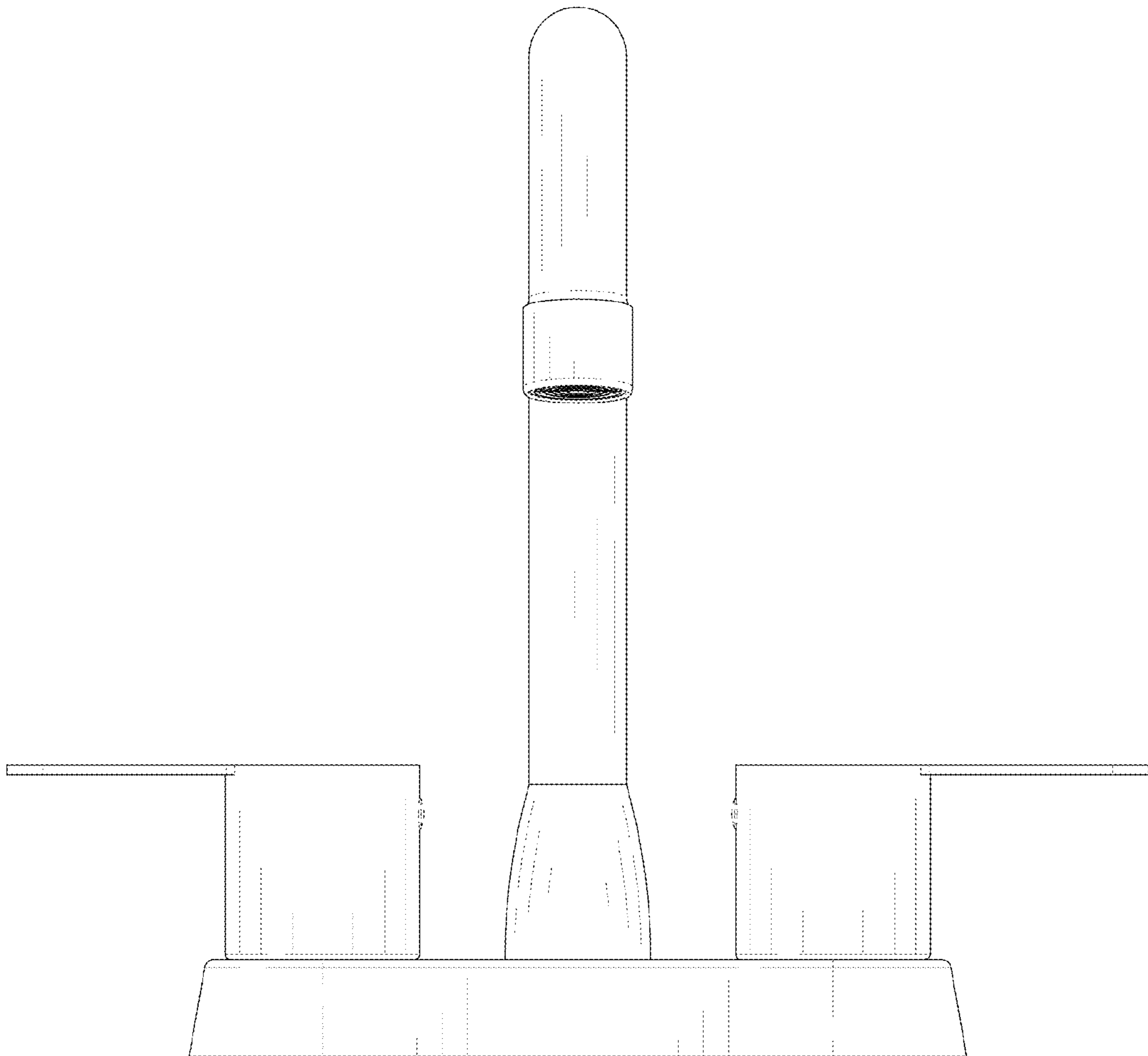


FIG. 8

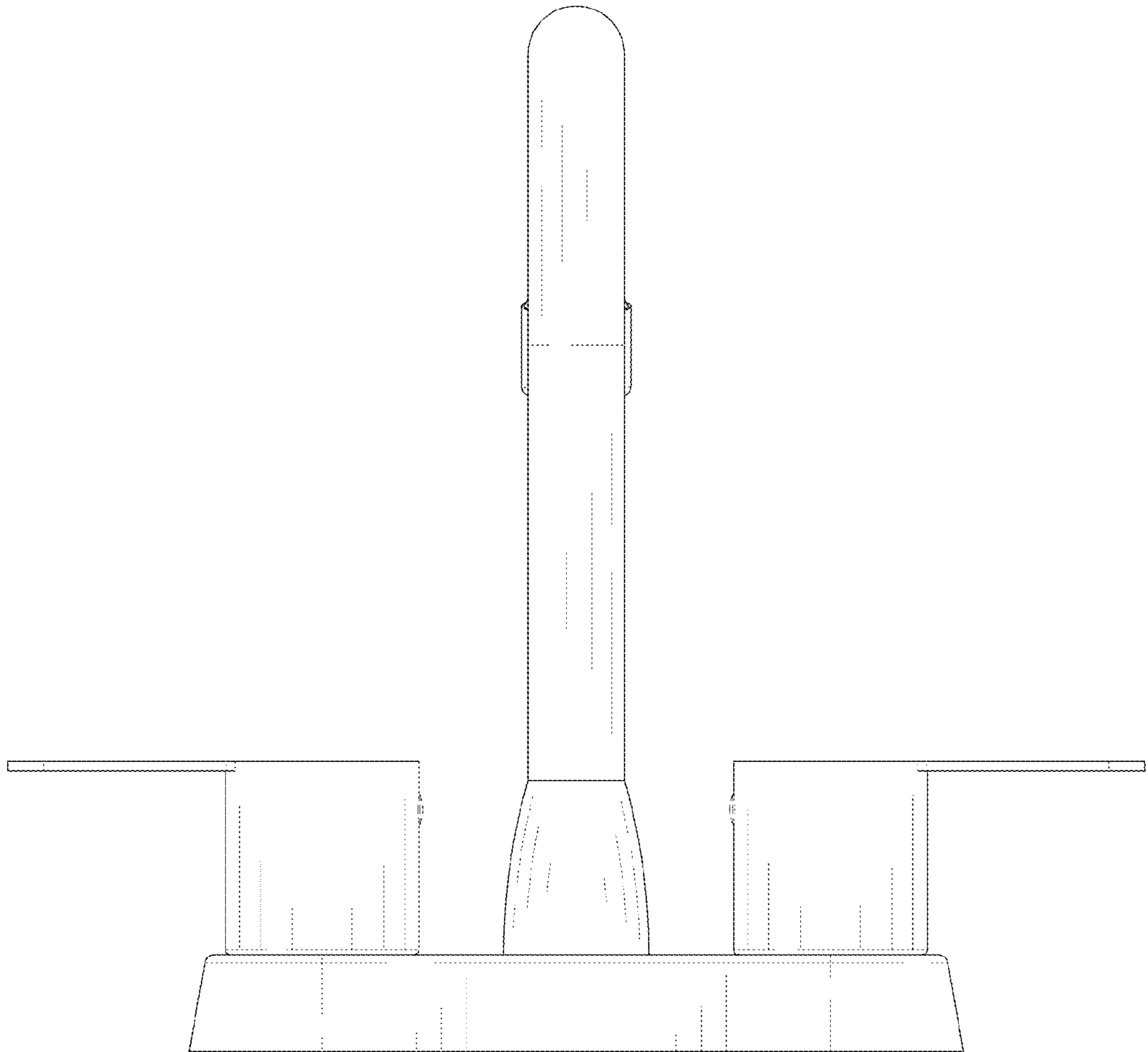
FIG. 1



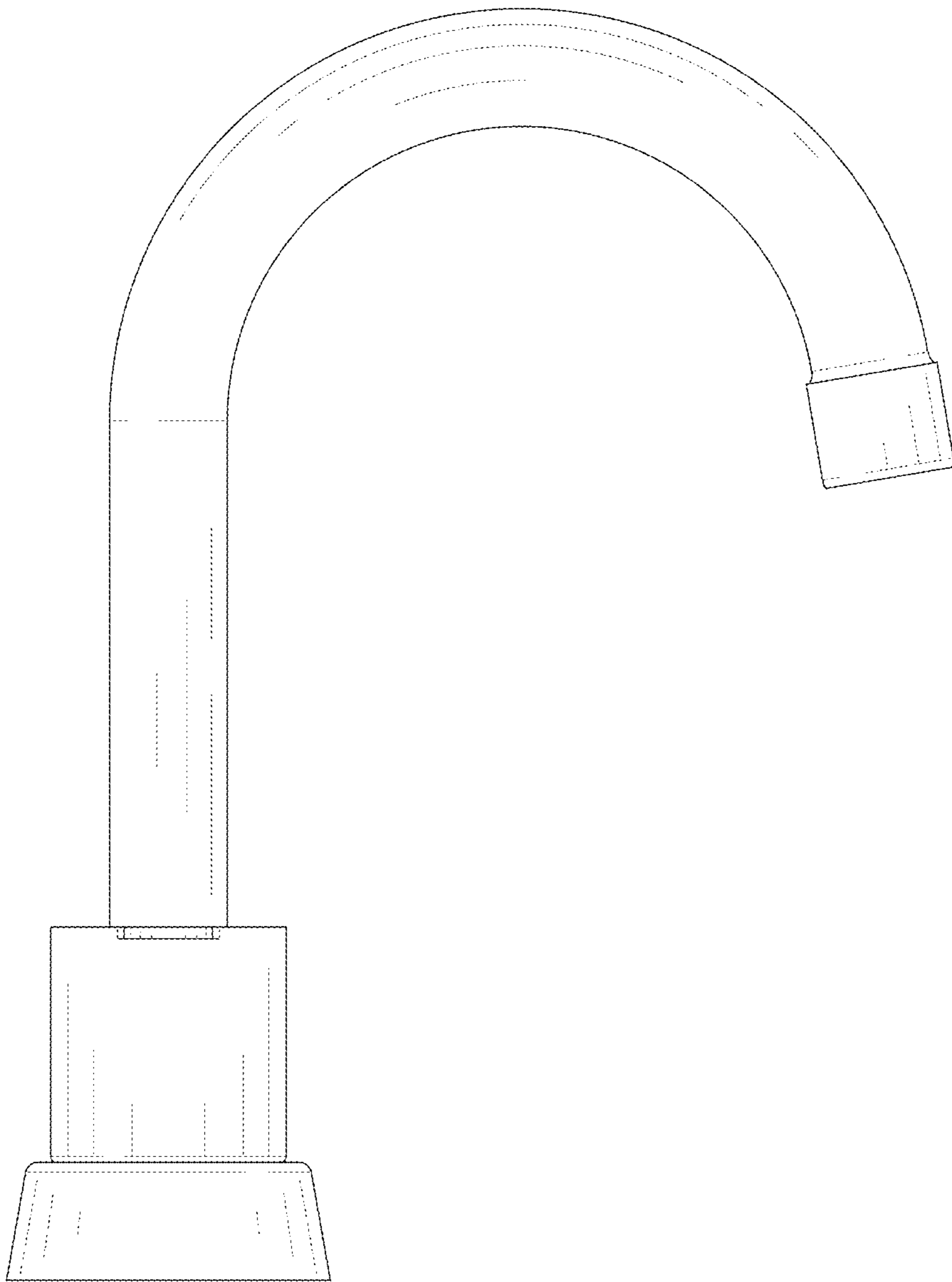
**FIG.2**



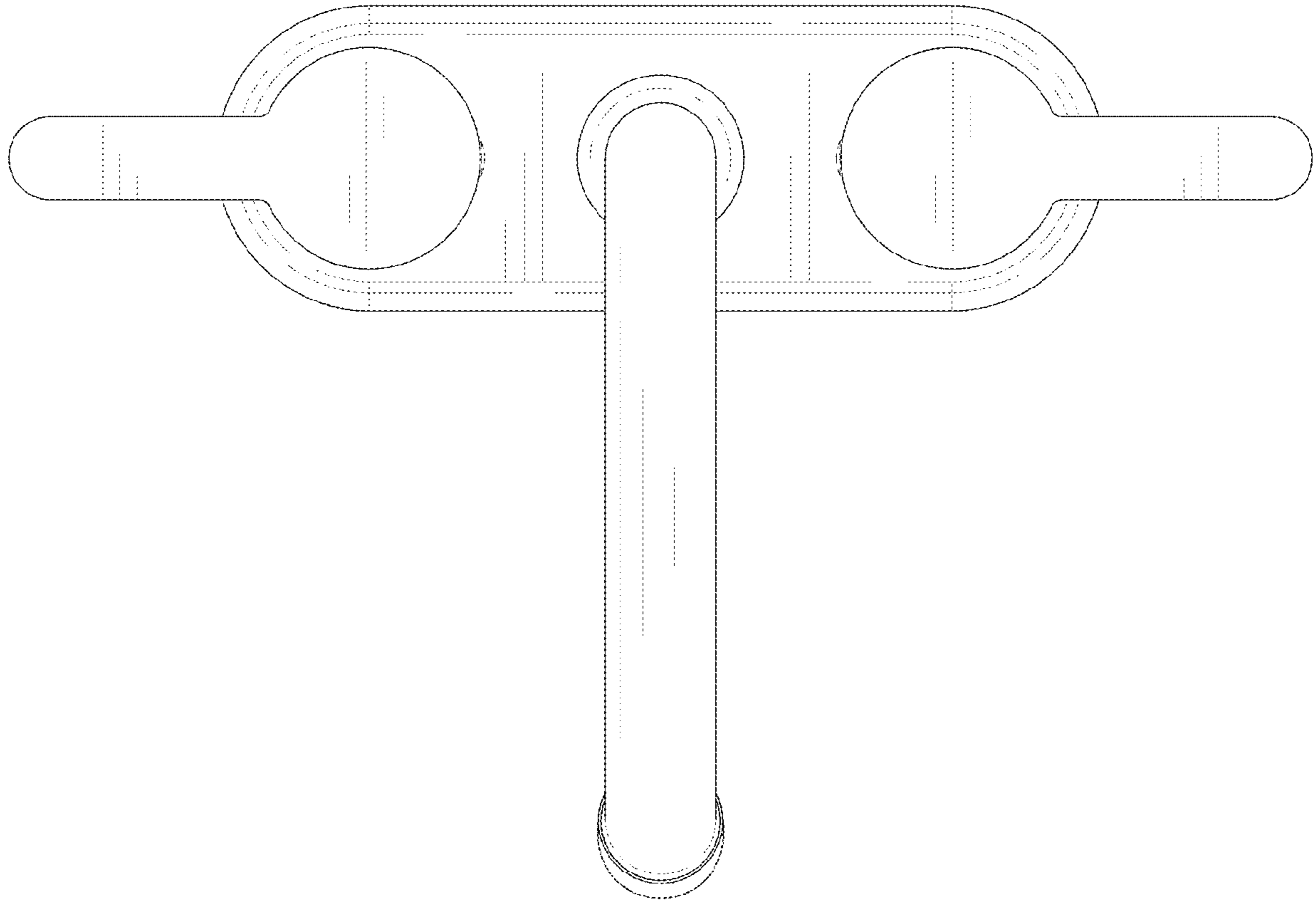
**FIG. 3**



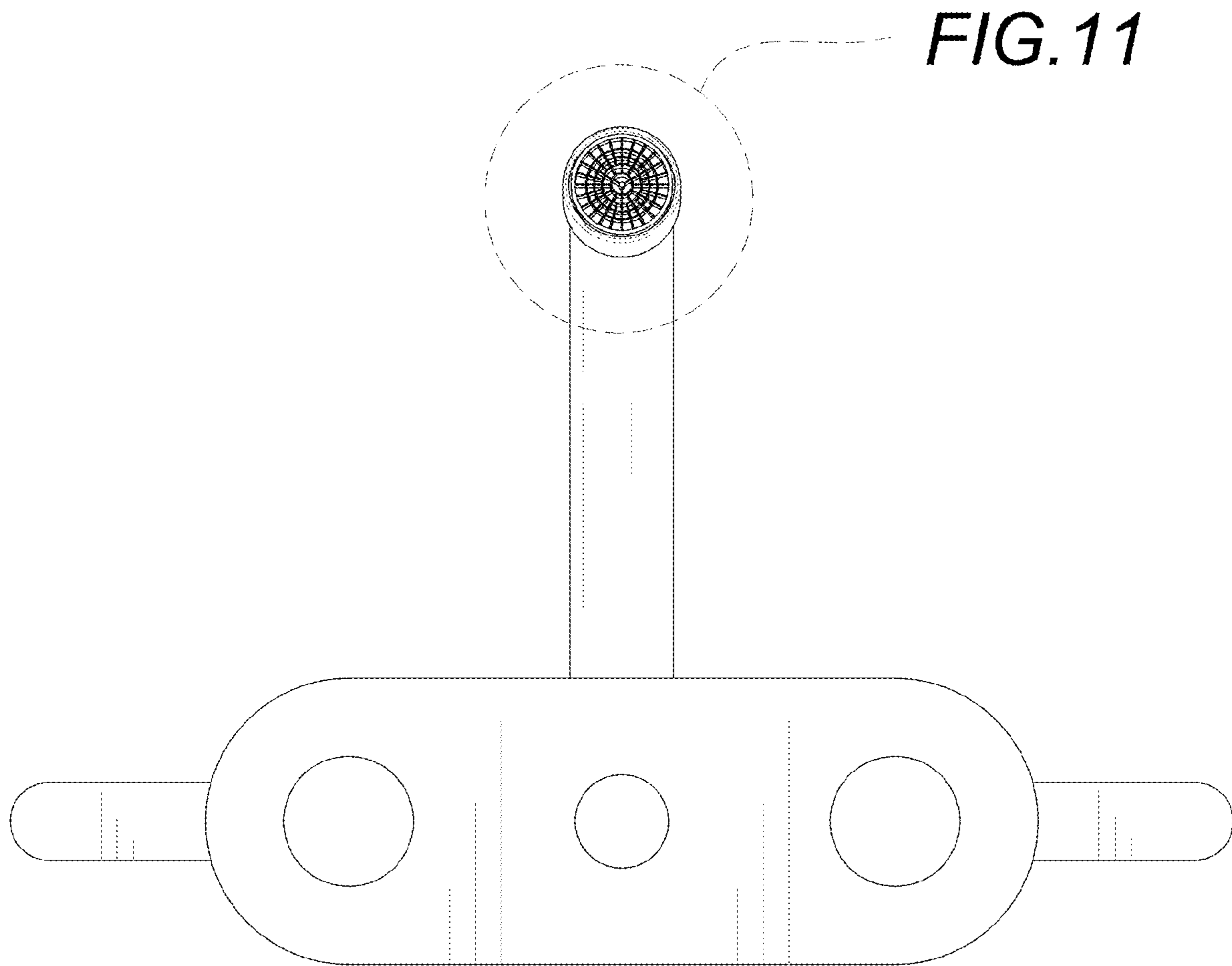
**FIG. 4**



**FIG. 5**

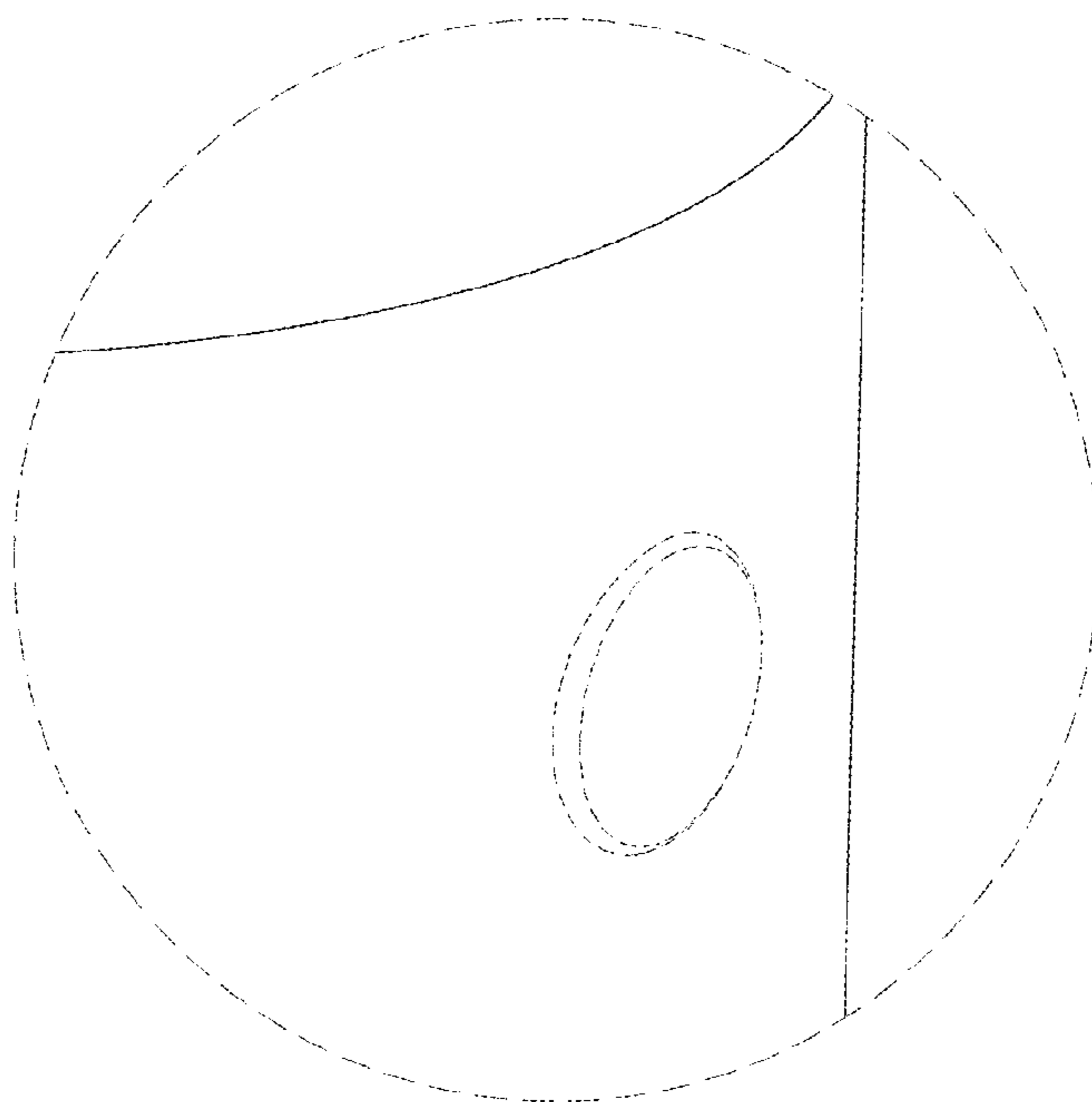


***FIG. 6***

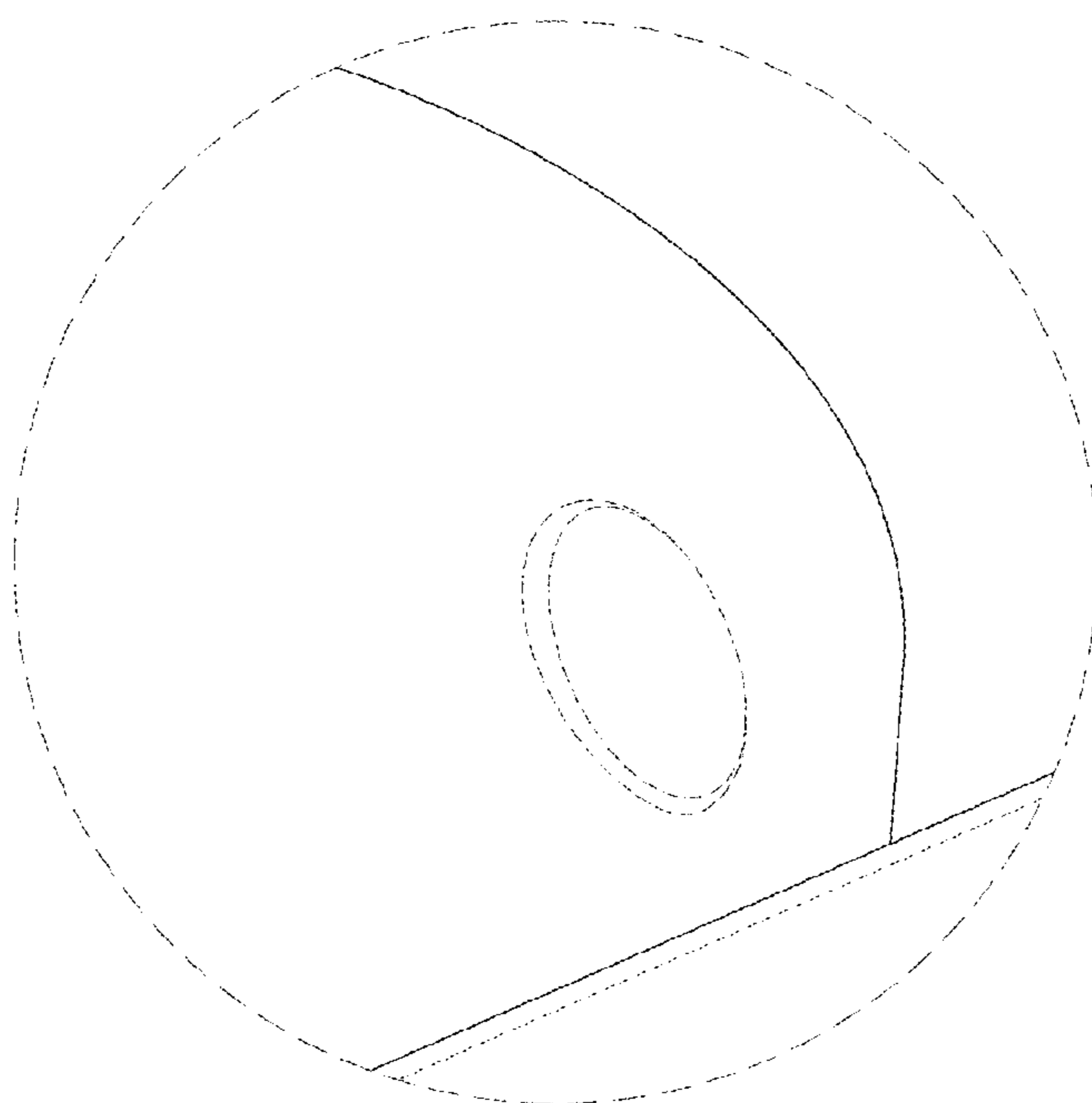


**FIG. 7**

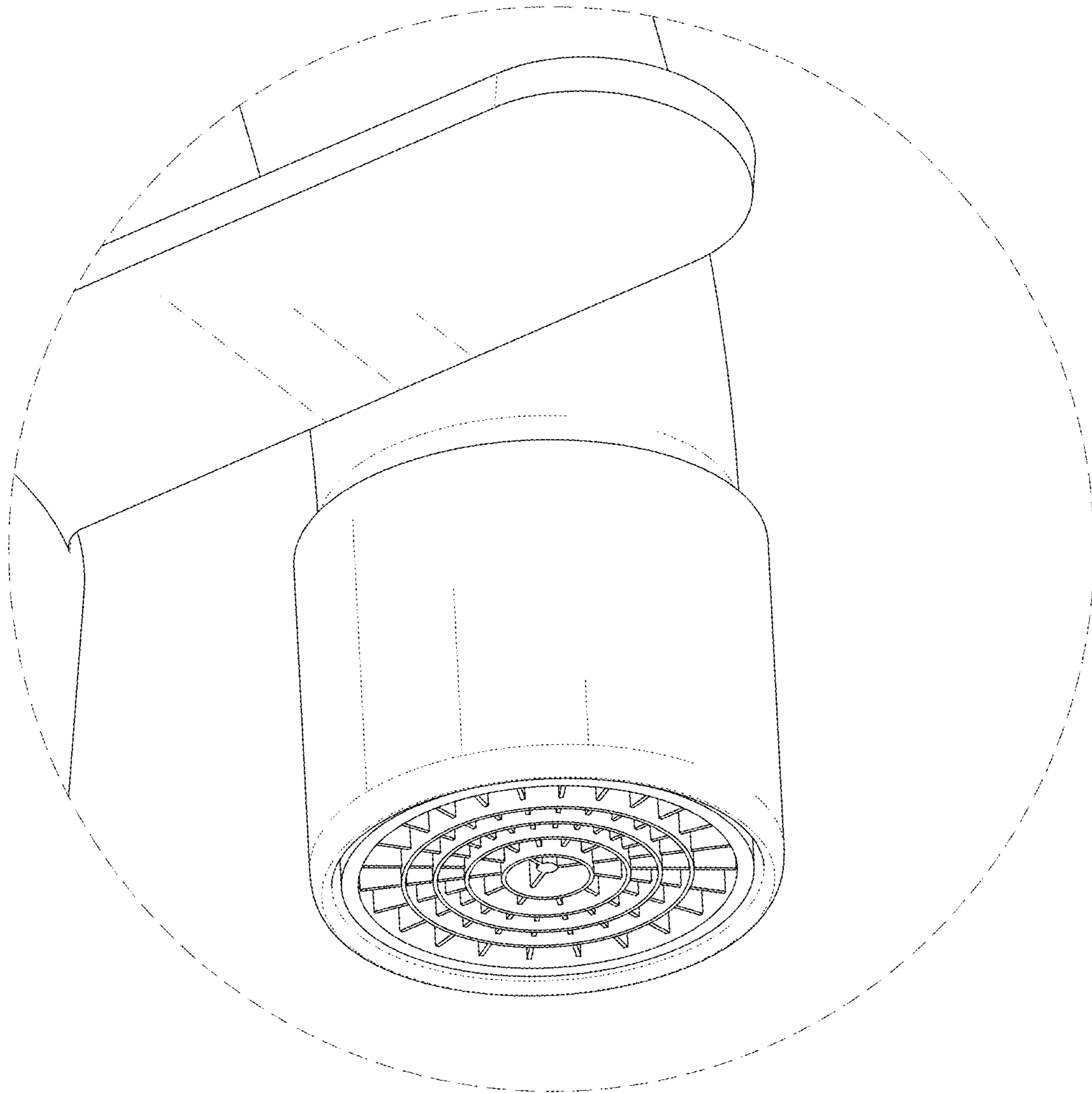




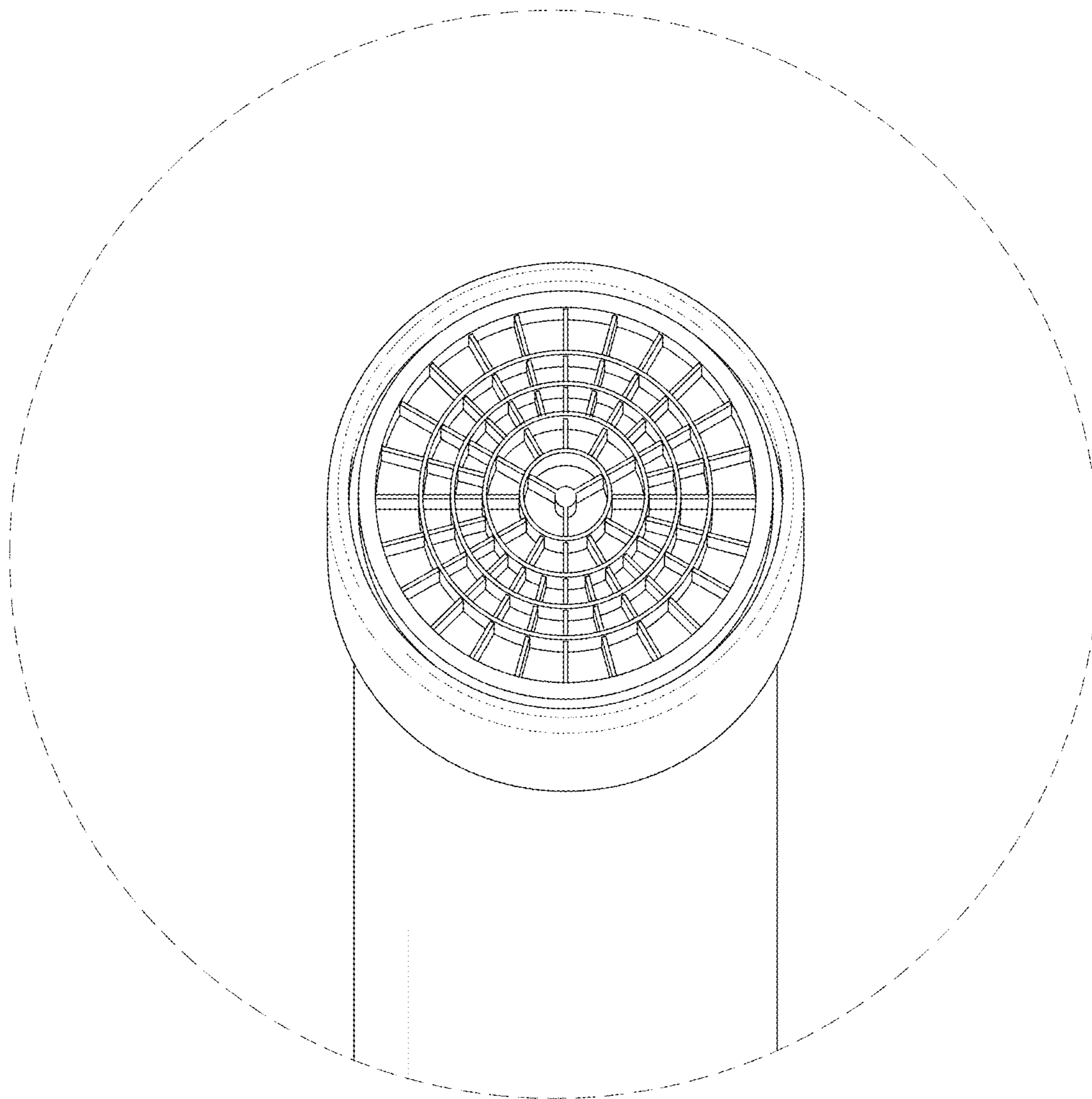
**FIG. 8**



**FIG. 9**



**FIG. 10**



**FIG. 11**