



US00D970695S

(12) **United States Design Patent**  
**Lin et al.**

(10) **Patent No.:** **US D970,695 S**

(45) **Date of Patent:** **\*\* Nov. 22, 2022**

(54) **FAUCET**

D914,150 S \* 3/2021 He ..... D23/238  
D926,017 S \* 7/2021 Xinrui ..... D8/308  
D928,290 S \* 8/2021 Elser ..... D23/238

(71) Applicant: **XIAMEN LOTA INTERNATIONAL CO., LTD.**, Xiamen (CN)

(72) Inventors: **Zhiheng Lin**, Xiamen (CN); **Fahong Chen**, Xiamen (CN); **Yunlong Xie**, Xiamen (CN); **Liming Ye**, Xiamen (CN); **Chuanbao Zhu**, Xiamen (CN)

(73) Assignee: **XIAMEN LOTA INTERNATIONAL CO., LTD.**, Xiamen (CN)

(\*\*) Term: **15 Years**

(21) Appl. No.: **29/843,485**

(22) Filed: **Jun. 21, 2022**

(51) **LOC (13) Cl.** ..... **23-01**

(52) **U.S. Cl.**  
USPC ..... **D23/238**

(58) **Field of Classification Search**  
USPC ..... D23/238, 241–243, 249–250, 252, 254;  
D8/307–308, 352  
See application file for complete search history.

(56) **References Cited**

**U.S. PATENT DOCUMENTS**

D828,508 S \* 9/2018 Fritz ..... D23/238  
D855,769 S 8/2019 Eads  
D872,235 S \* 1/2020 Garland ..... D23/238  
D873,379 S \* 1/2020 Fritz ..... D23/238  
D874,614 S 2/2020 Lazarini  
D913,433 S \* 3/2021 Ao ..... D23/238

**OTHER PUBLICATIONS**

Beasley Pull-Out Kitchen Faucet—Polished Nickel: [https://www.signaturehardware.com/beasley-pull-out-kitchen-faucet.html?pids=244217&g\\_acctid=7220359250&g\\_campaignid=6448924042&g\\_adgroupid=79656496480&g\\_adid=377718815451&g\\_keyword=&g\\_keywordid=pla-609684369358&g\\_adtype=pla&g\\_merchantid=387294&g\\_produc](https://www.signaturehardware.com/beasley-pull-out-kitchen-faucet.html?pids=244217&g_acctid=7220359250&g_campaignid=6448924042&g_adgroupid=79656496480&g_adid=377718815451&g_keyword=&g_keywordid=pla-609684369358&g_adtype=pla&g_merchantid=387294&g_produc) (Year: 2020).\*

\* cited by examiner

*Primary Examiner* — Robert A Delehanty

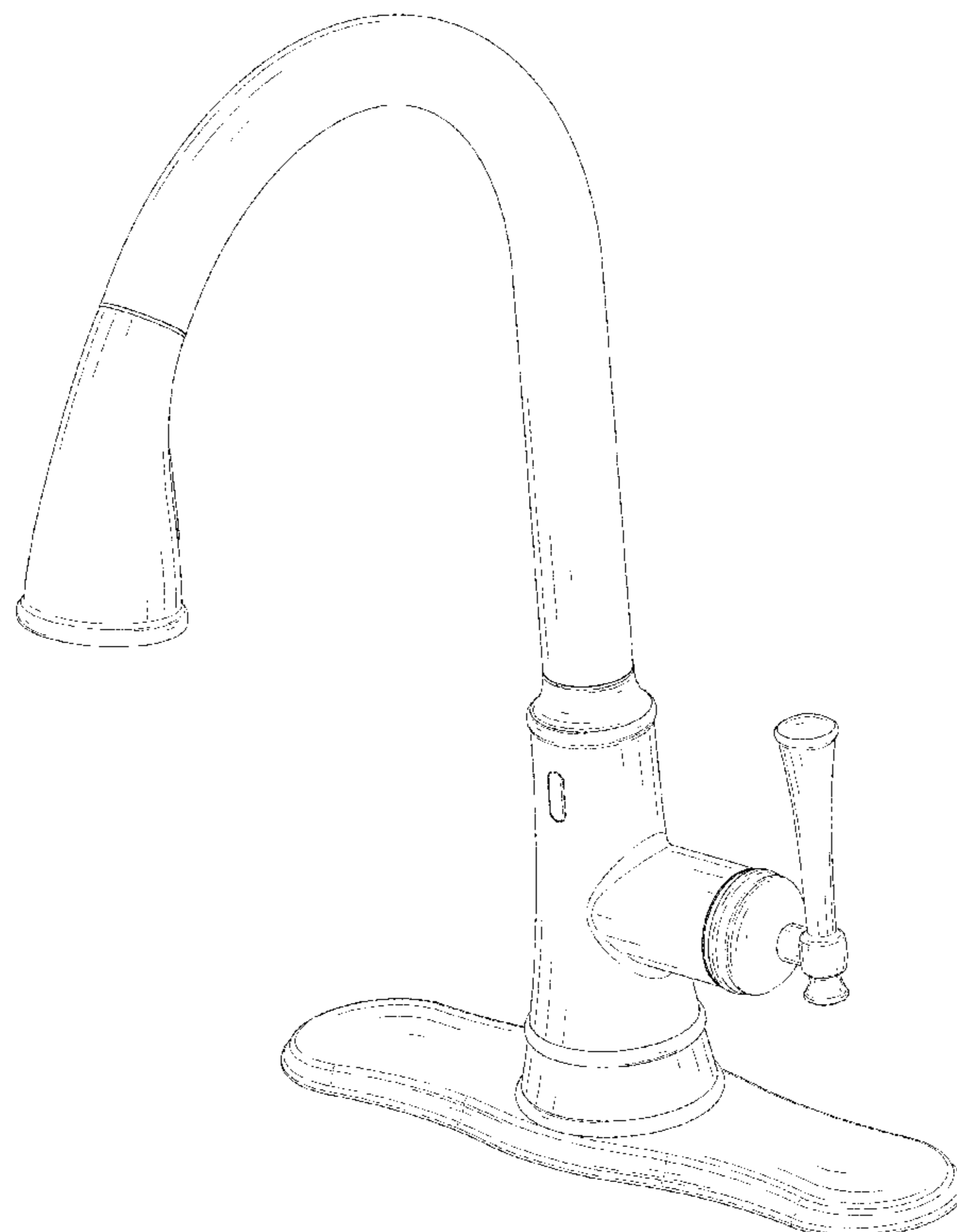
(57) **CLAIM**

The ornamental design for a faucet, as shown and described.

**DESCRIPTION**

FIG. 1 is a perspective view of a faucet showing our new design;  
FIG. 2 is another perspective view thereof;  
FIG. 3 is a front elevational view thereof;  
FIG. 4 is a rear elevational view thereof;  
FIG. 5 is a left side elevational view thereof;  
FIG. 6 is a right side elevational view thereof;  
FIG. 7 is a top plan view thereof; and,  
FIG. 8 is a bottom plan view thereof.  
The broken lines in the drawings depict portions of the faucet that form no part of the claimed design.

**1 Claim, 8 Drawing Sheets**



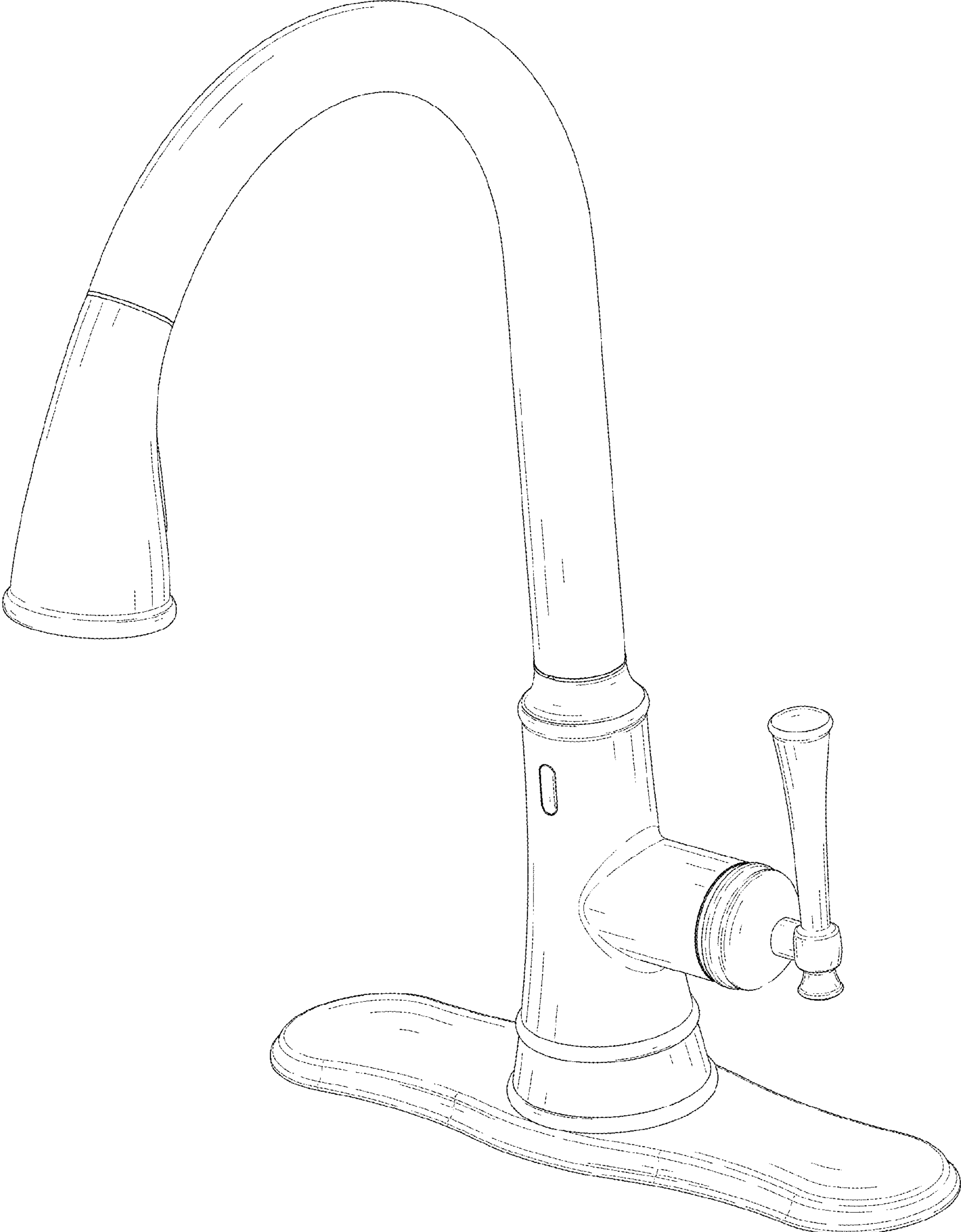


FIG. 1

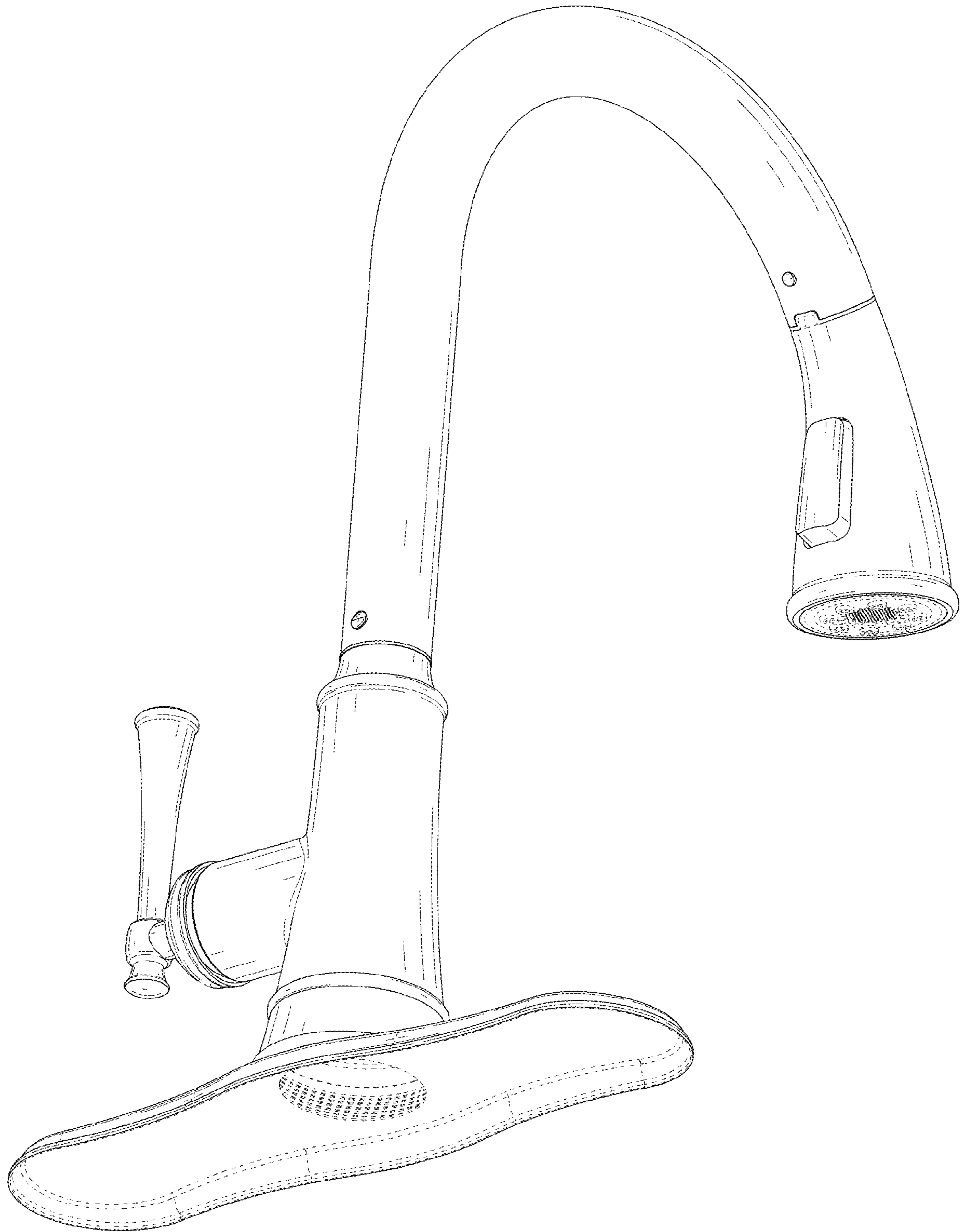


FIG. 2

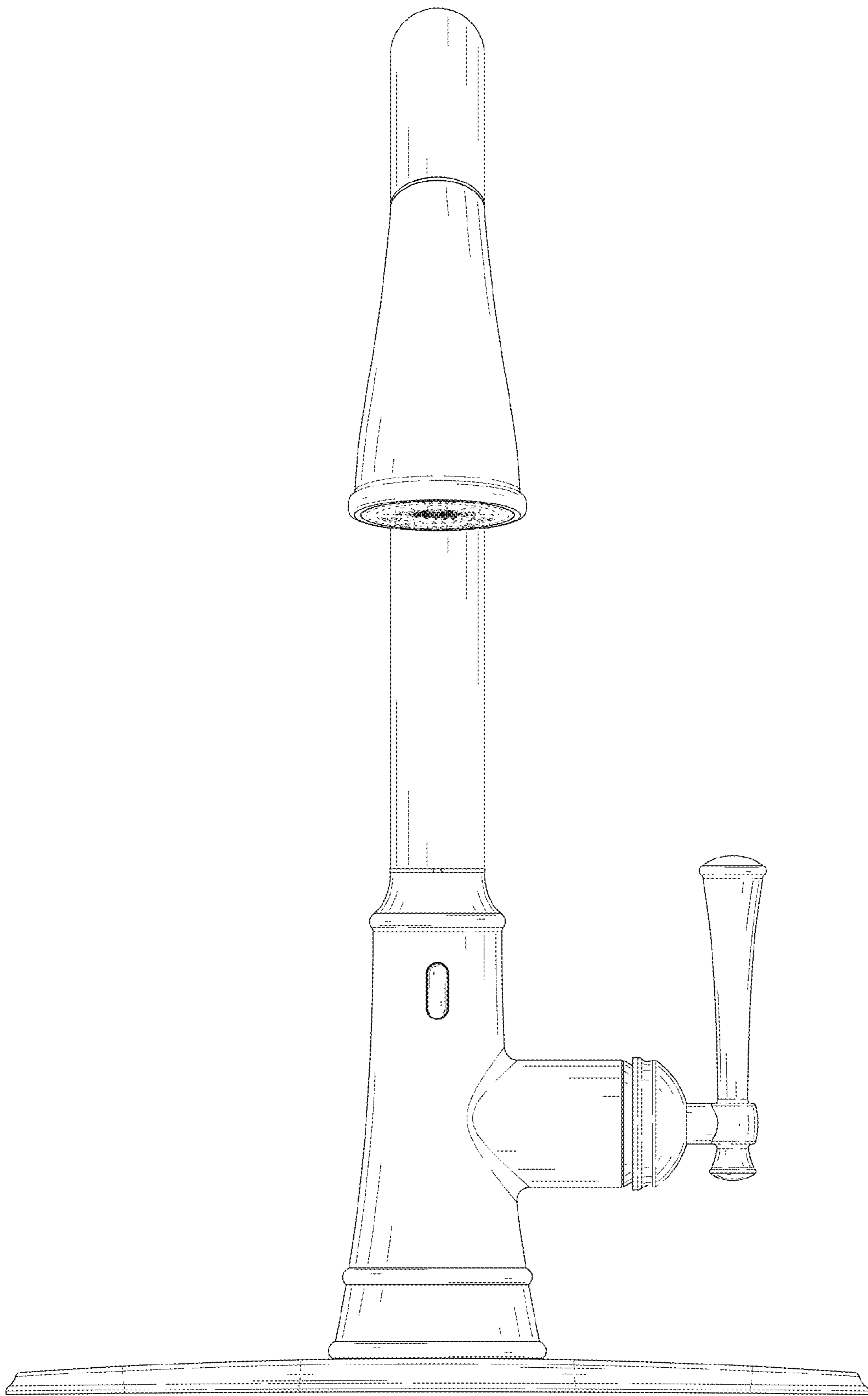


FIG. 3

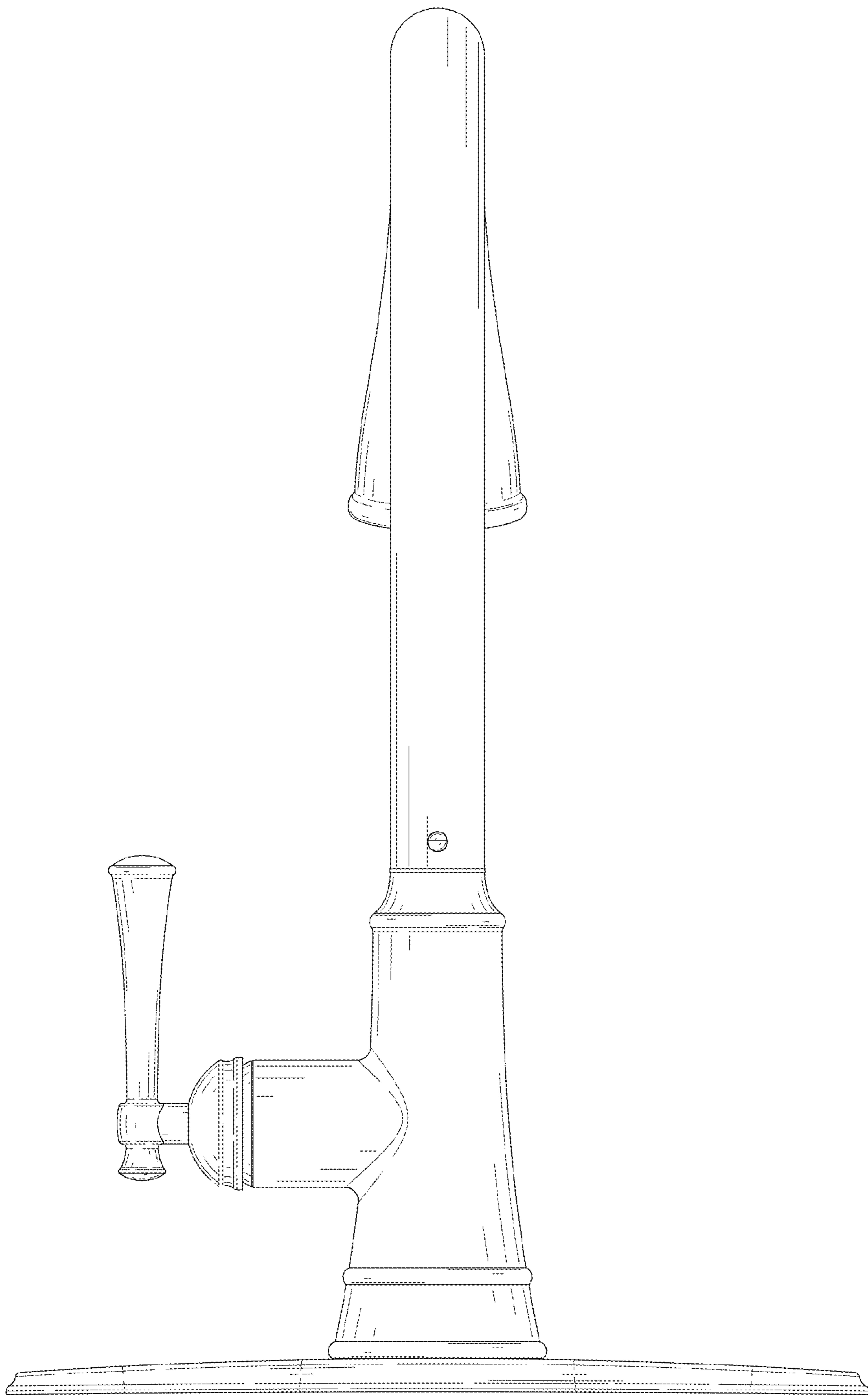


FIG. 4

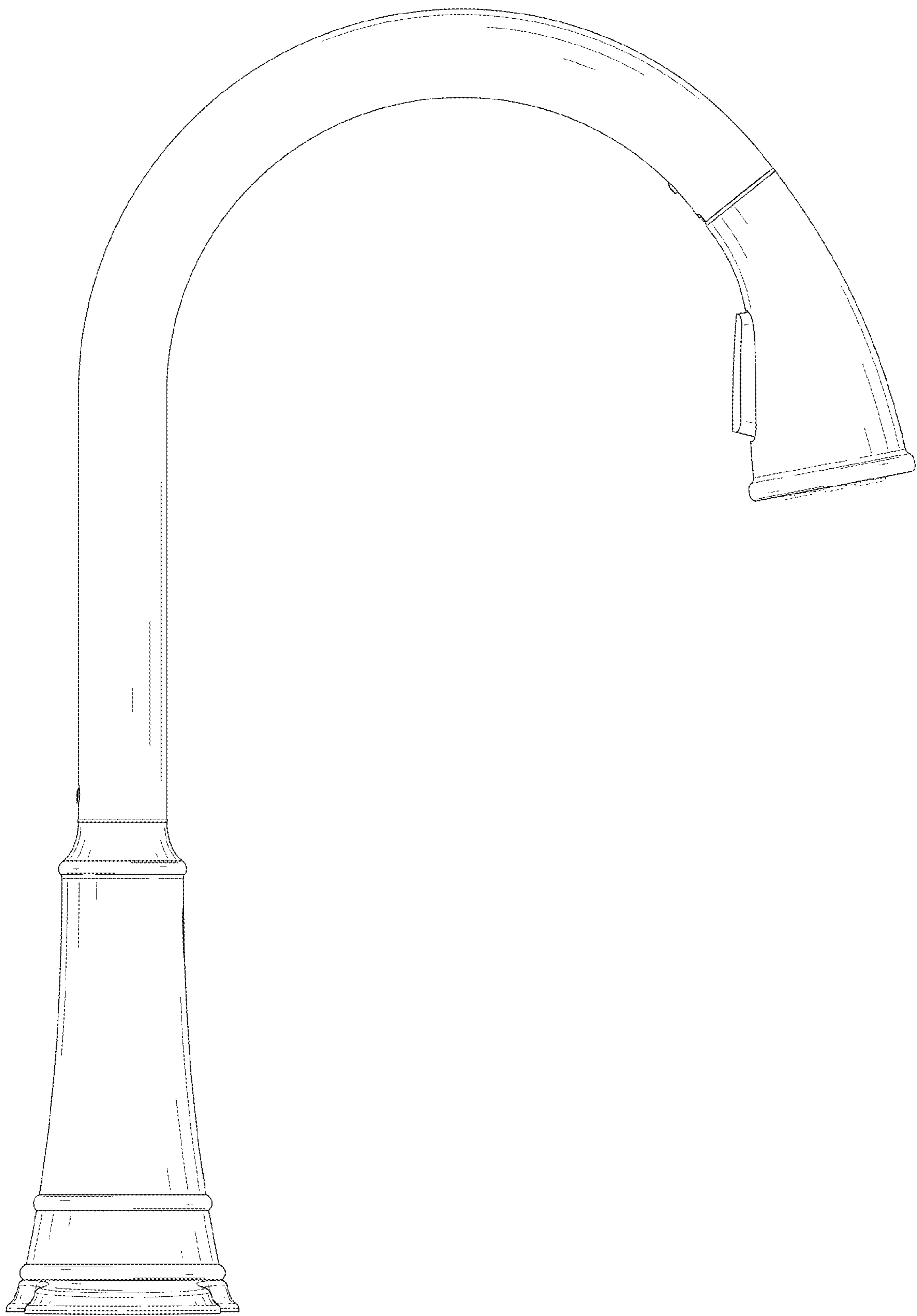


FIG. 5

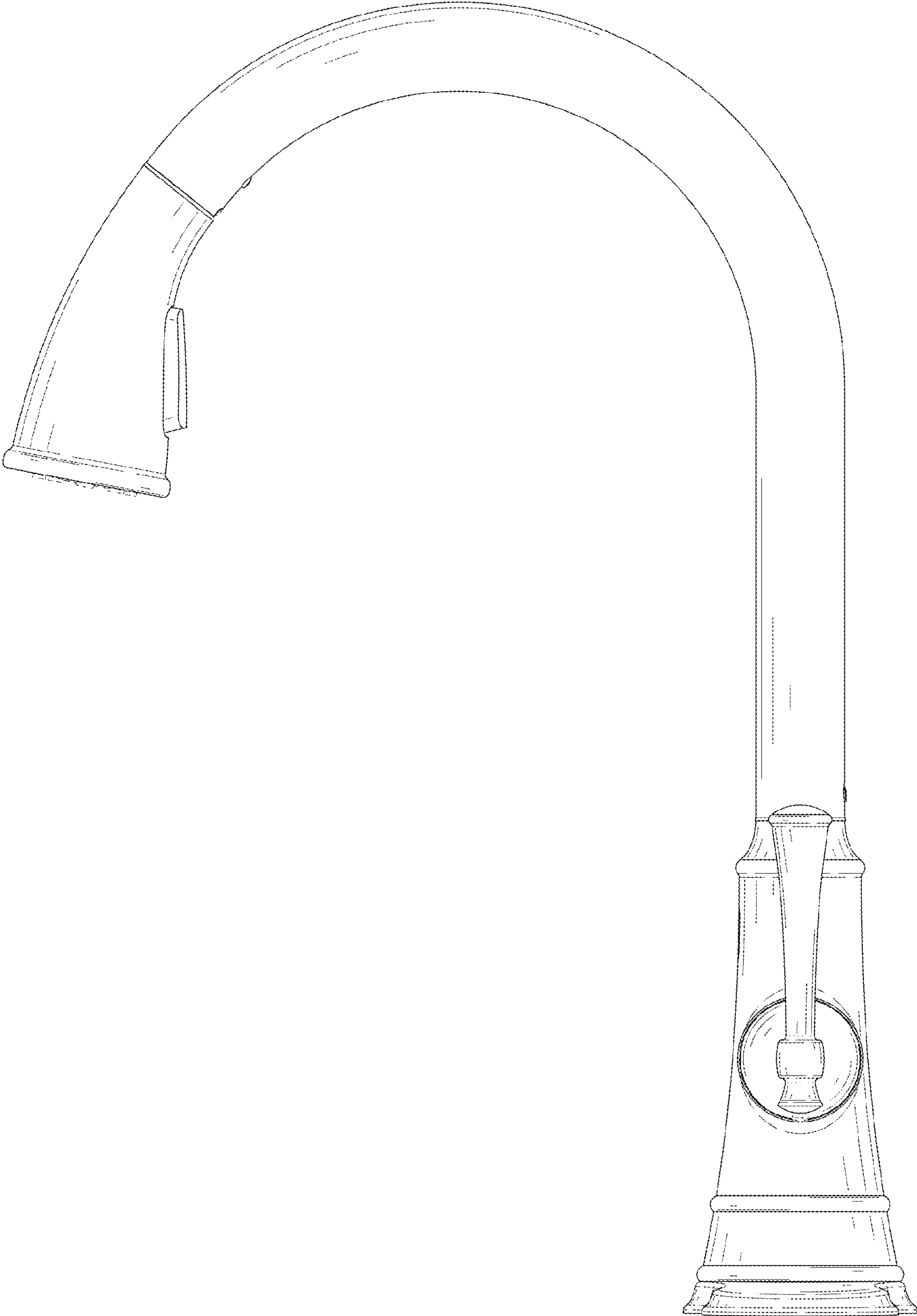


FIG. 6

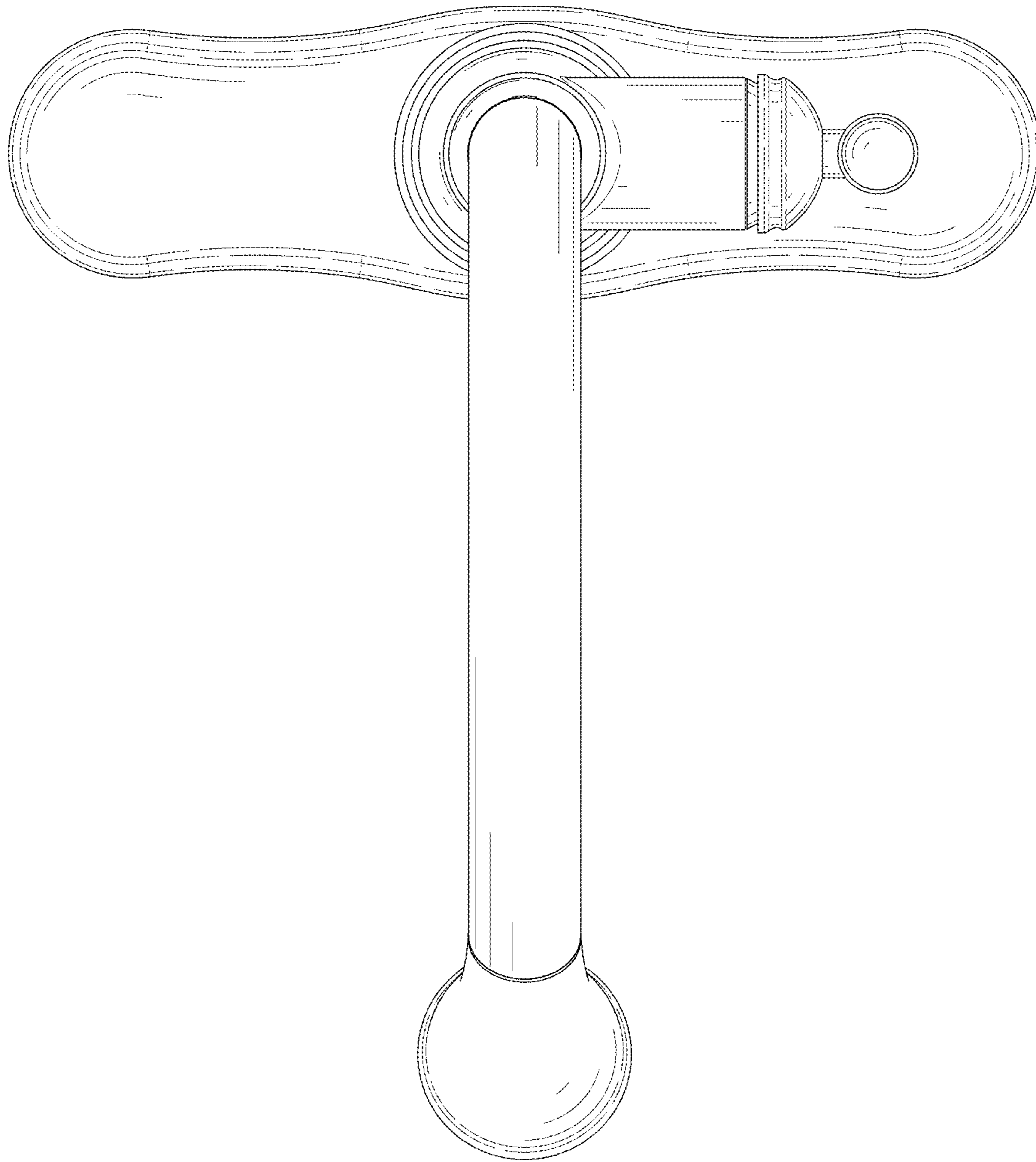


FIG. 7



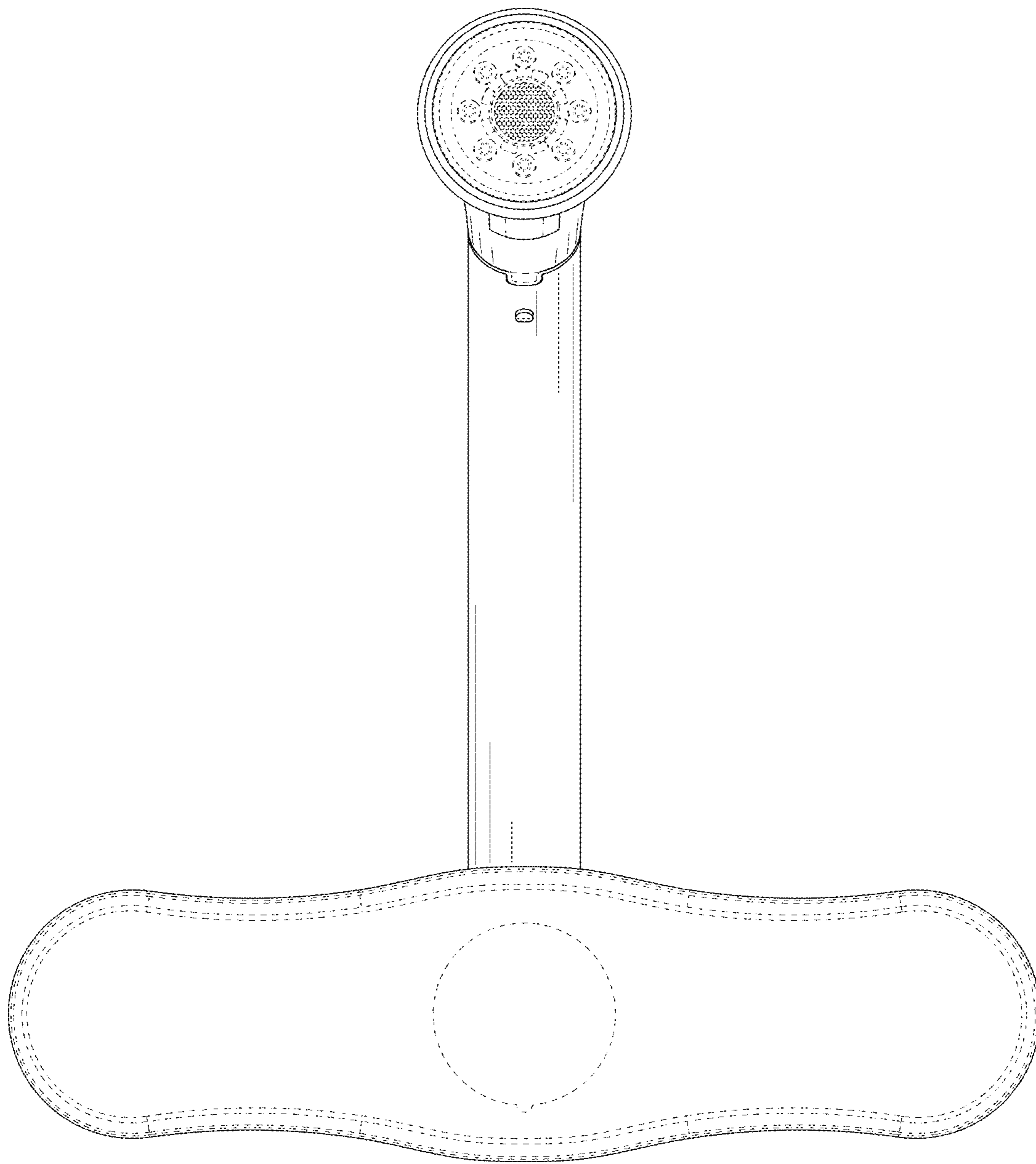


FIG. 8