



US00D970693S

(12) **United States Design Patent** (10) **Patent No.:** **US D970,693 S**
Wang (45) **Date of Patent:** **** Nov. 22, 2022**

(54) **BASIN MIXER**

FOREIGN PATENT DOCUMENTS

(71) Applicant: **JIANGXI IRONMA SANITARY WARE TECHNOLOGY CO., LTD**, Ji'an (CN)

CN 301734990 * 11/2011
CN 305333224 * 9/2019

(Continued)

(72) Inventor: **Jihe Wang**, Xinyang (CN)

OTHER PUBLICATIONS

(73) Assignee: **JIANGXI IRONMA SANITARY WARE TECHNOLOGY CO., LTD**, Ji'an (CN)

In2aqua, 1023.1.00.2, Edge One-Hole Single-Lever Basin Mixer, first available Oct. 27, 2017[online], [site visited Sep. 29, 2022]. Available from internet, URL:<https://www.amazon.com/in2aqua-1023-1-00-2-One-Hole-Single-Lever-Polished/dp/B076XWQJH2?th=1> (Year: 2017).*

(**) Term: **15 Years**

(Continued)

(21) Appl. No.: **29/841,909**

Primary Examiner — Jae Liang

(22) Filed: **Jun. 9, 2022**

Assistant Examiner — Jamaal Rasheed

(51) **LOC (13) Cl.** **23-01**

(74) *Attorney, Agent, or Firm* — Daniel M. Cohn;

(52) **U.S. Cl.**

Howard M. Cohn

USPC **D23/238**

(58) **Field of Classification Search**

(57) **CLAIM**

USPC D23/238–244, 252, 254–255, 257, 499;
D7/398

The ornamental design for a basin mixer, as shown and described.

CPC F16K 31/602; F16K 31/605; F16K 31/607;
E03C 1/0412

DESCRIPTION

See application file for complete search history.

FIG. 1 is a perspective view of a basin mixer showing my new design;
FIG. 2 is another perspective view thereof;
FIG. 3 is a front elevational view thereof;
FIG. 4 is a rear elevational view thereof;
FIG. 5 is a left side elevational view thereof;
FIG. 6 is a right side elevational view thereof;
FIG. 7 is a top plan view thereof;
FIG. 8 is a bottom plan view thereof; and,
FIG. 9 is an enlarged view of portion 9 shown in FIG. 2.
The dash-dash broken lines in the drawings depict portions of the basin mixer that form no part of the claimed design. The dot-dash broken lines represent boundaries of the enlarged portion and form no part of the claimed design.

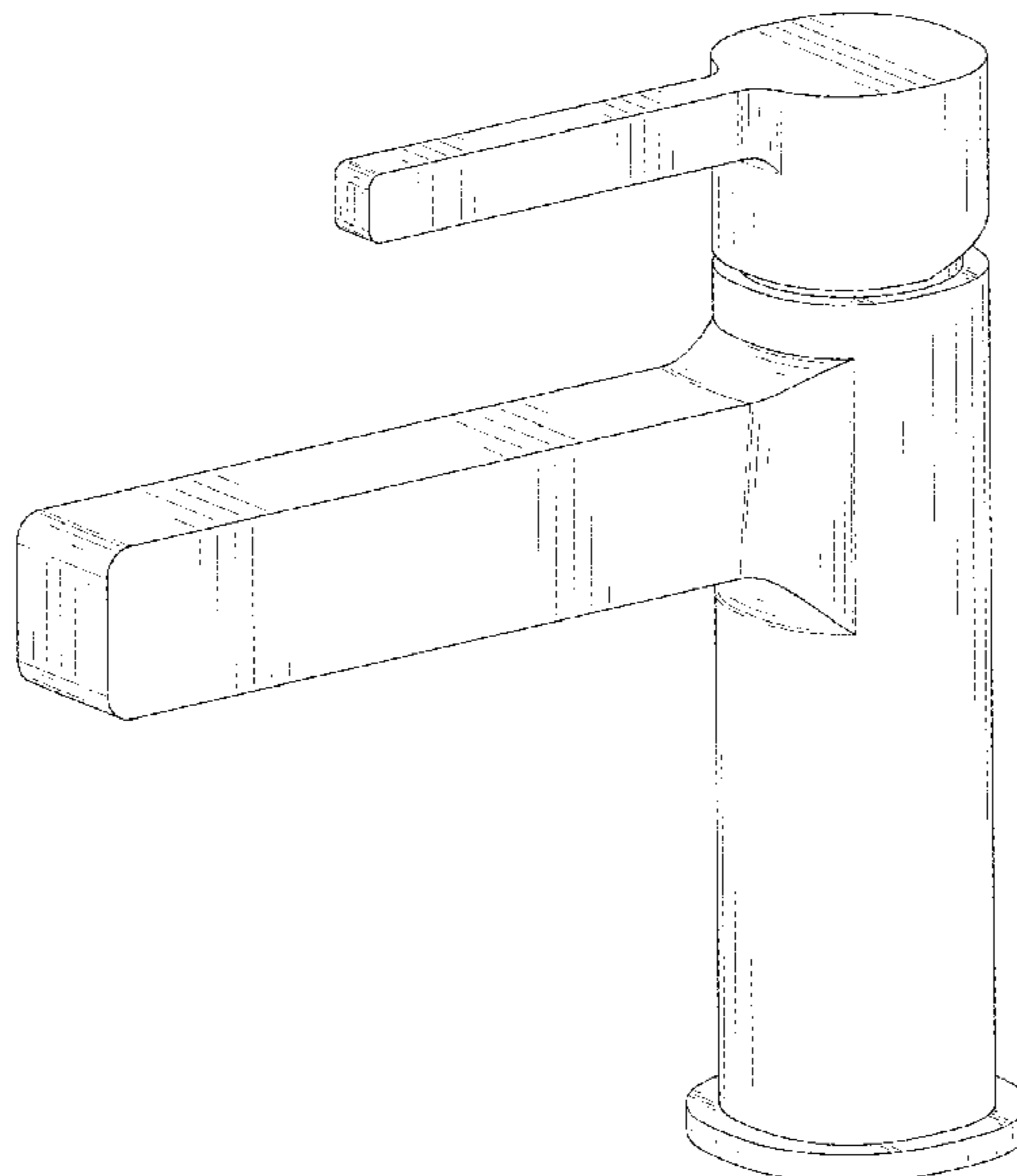
(56) **References Cited**

U.S. PATENT DOCUMENTS

| | | | | | |
|------------|---|---------|----------------|-------|---------|
| D487,133 S | * | 2/2004 | Haug | | D23/257 |
| D531,702 S | * | 11/2006 | Haug | | D23/252 |
| D579,520 S | * | 10/2008 | Cheneseau | | D23/238 |
| D586,881 S | * | 2/2009 | Lammel | | D23/238 |
| D598,071 S | * | 8/2009 | Lammel | | D23/238 |
| D608,863 S | * | 1/2010 | Pan | | D23/255 |
| D718,837 S | * | 12/2014 | Garland | | D23/238 |
| D750,203 S | * | 2/2016 | Flowers | | D23/238 |
| D767,724 S | * | 9/2016 | Flowers | | D23/238 |
| D771,224 S | * | 11/2016 | Flowers | | D23/238 |
| D773,613 S | | 12/2016 | Flowers et al. | | |

(Continued)

1 Claim, 9 Drawing Sheets



(56)

References Cited

U.S. PATENT DOCUMENTS

| | | | | |
|--------------|------|--------|----------------|-------------|
| D825,719 | S | 8/2018 | Seum et al. | |
| D828,509 | S * | 9/2018 | Seum | D23/238 |
| D841,778 | S * | 2/2019 | Ando | D23/238 |
| D908,193 | S * | 1/2021 | Rockwell | D23/238 |
| D913,427 | S * | 3/2021 | Seum | D23/238 |
| D913,445 | S * | 3/2021 | Zeng | D23/238 |
| D922,528 | S * | 6/2021 | Sieger | D23/238 |
| D925,703 | S * | 7/2021 | Soulier | D23/238 |
| D928,919 | S * | 8/2021 | Kulig | D23/238 |
| D947,995 | S * | 4/2022 | Lazarini | D23/238 |
| D952,797 | S * | 5/2022 | Goetzen | D23/238 |
| D952,799 | S * | 5/2022 | Yang | D23/252 |
| D961,735 | S * | 8/2022 | Kulig | D23/238 |
| 2017/0044746 | A1 * | 2/2017 | Lee | E03C 1/0404 |
| 2017/0059050 | A1 * | 3/2017 | Chiu | F16K 11/076 |

FOREIGN PATENT DOCUMENTS

| | | | |
|----|-------------|---|--------|
| CN | 305333251 | * | 9/2019 |
| WO | D080081-001 | * | 8/2013 |

OTHER PUBLICATIONS

Moen 84774 Beric One-Handle Single Hole Bathroom Faucet, first available Aug. 13, 2019 [online], [site visited Sep. 29, 2022]. Available from internet, URL:<<https://www.amazon.com/dp/B07RLJ1K44>> (Year: 2019).*

Moen Vichy Chrome One-Handle Bathroom Faucet, first available Dec. 22, 2016[online], [site visited Sep. 29, 2022]. Available from internet, URL:<<https://www.amazon.com/dp/B01N0TDSIB>> (Year: 2016).*

* cited by examiner

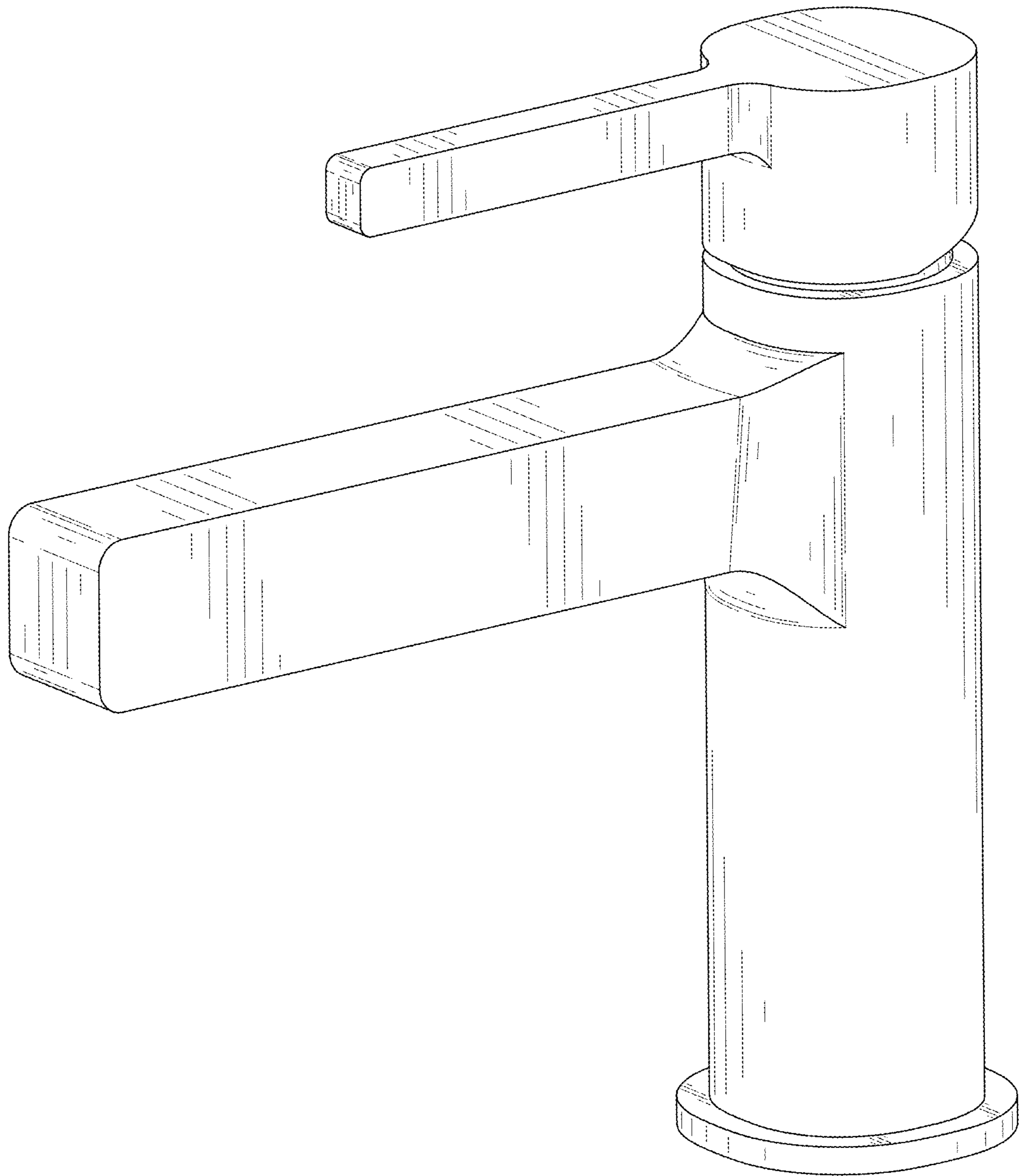


FIG. 1

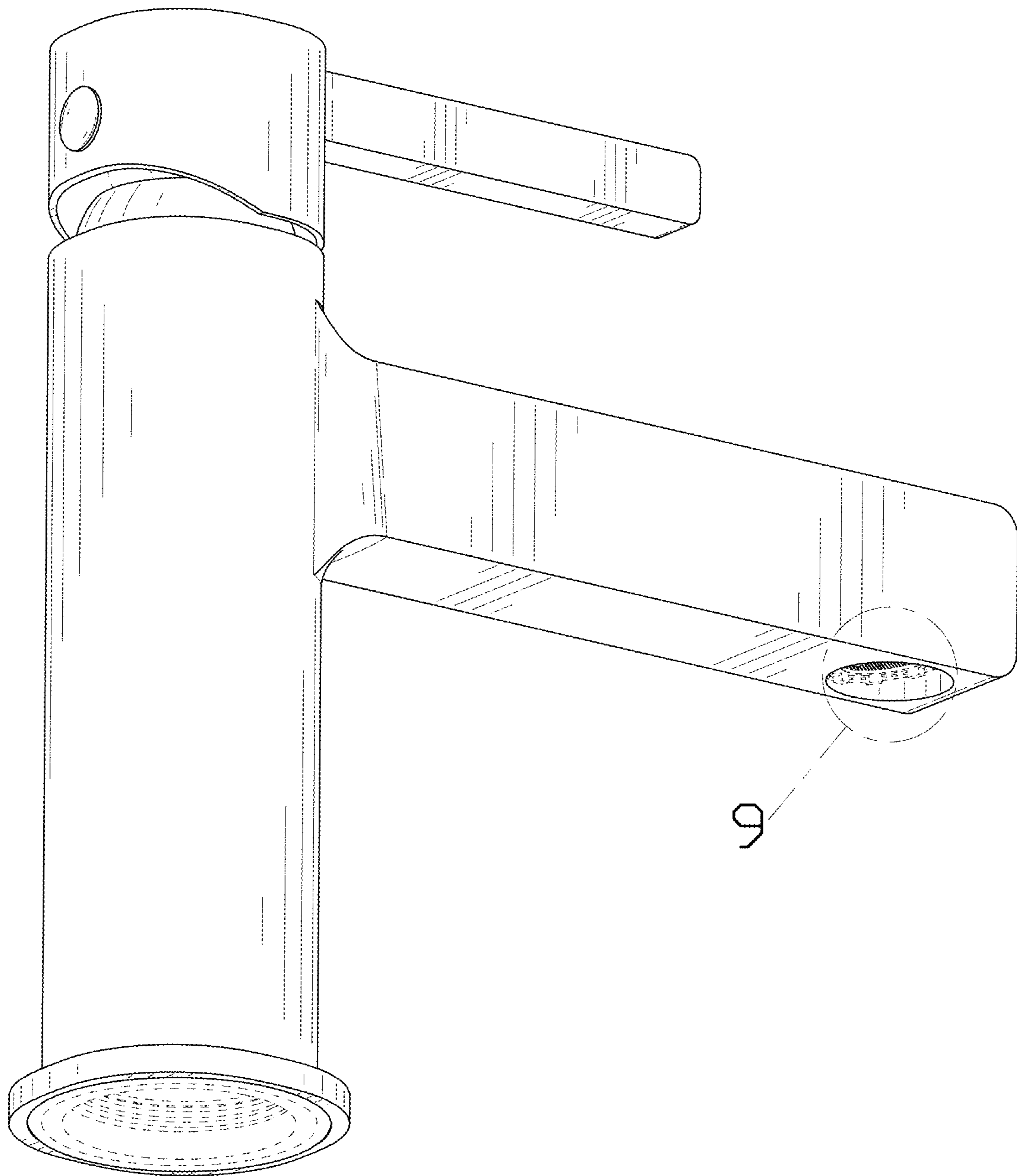


FIG. 2

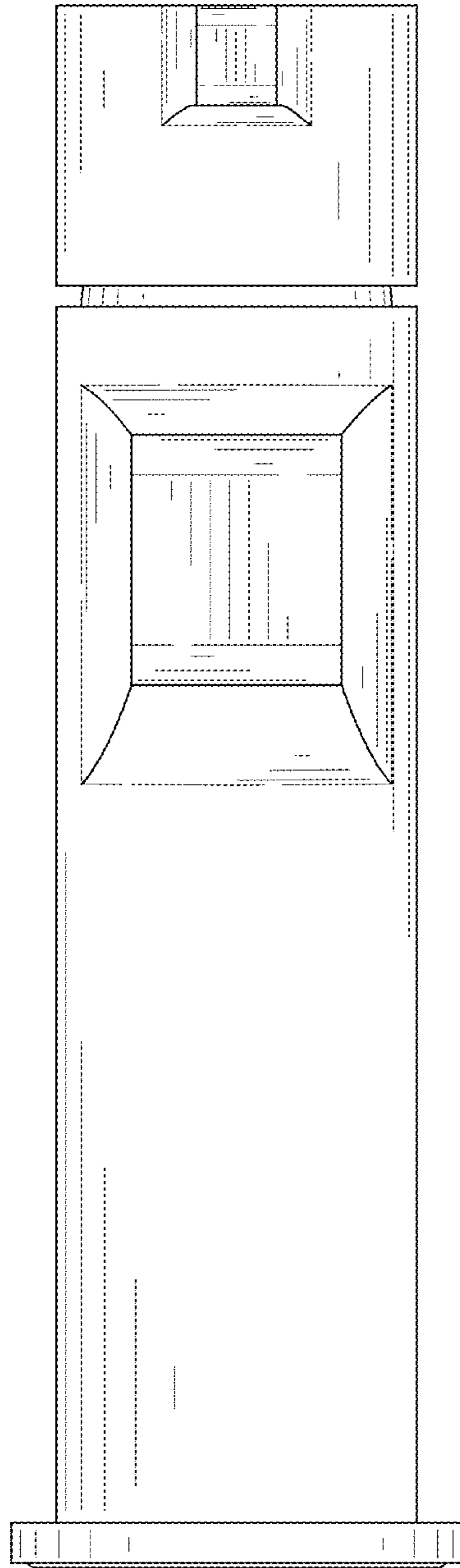


FIG. 3

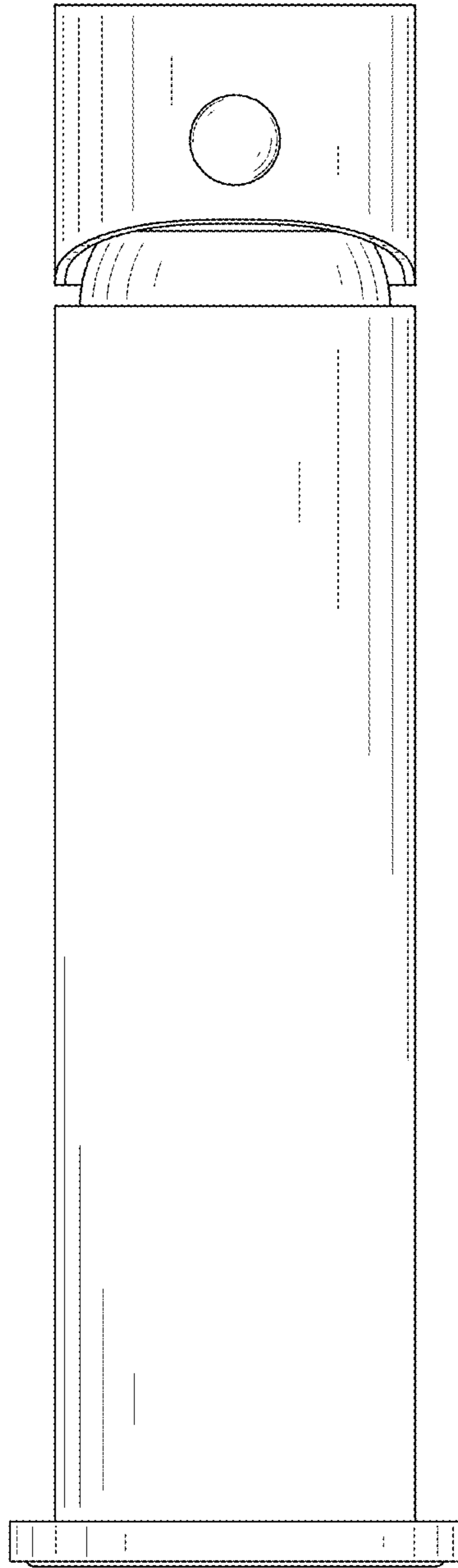


FIG. 4

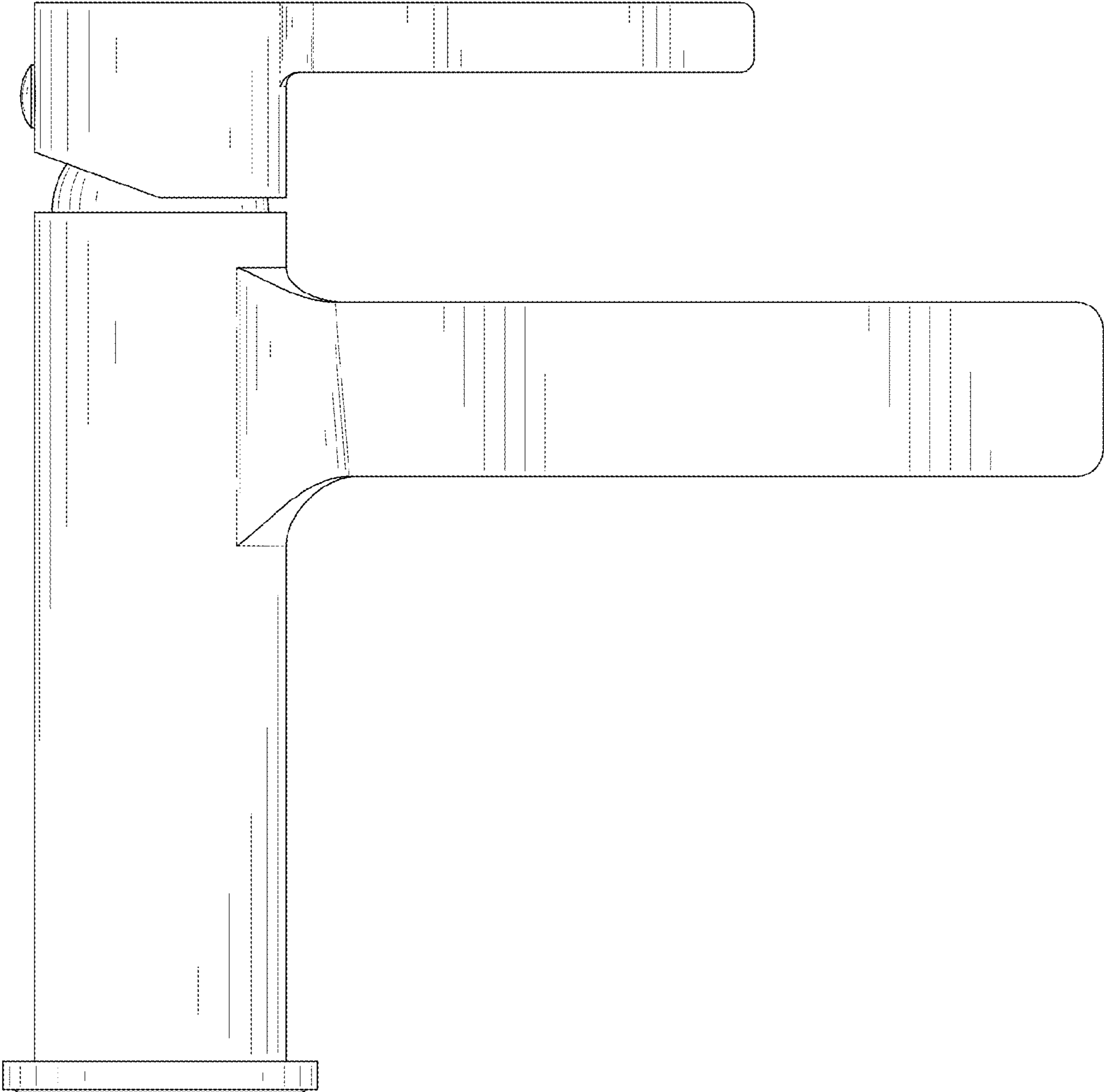


FIG. 5

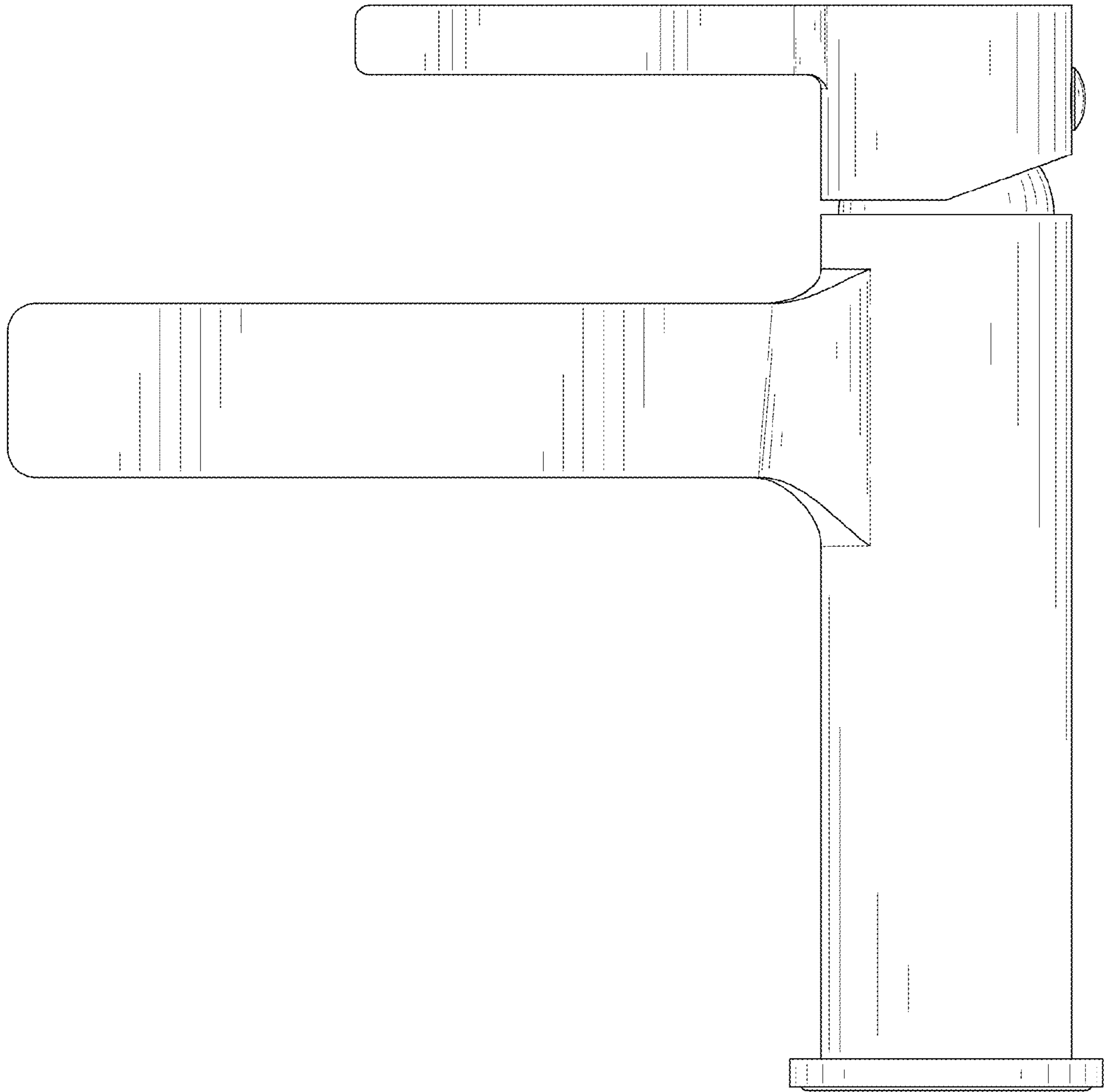


FIG. 6

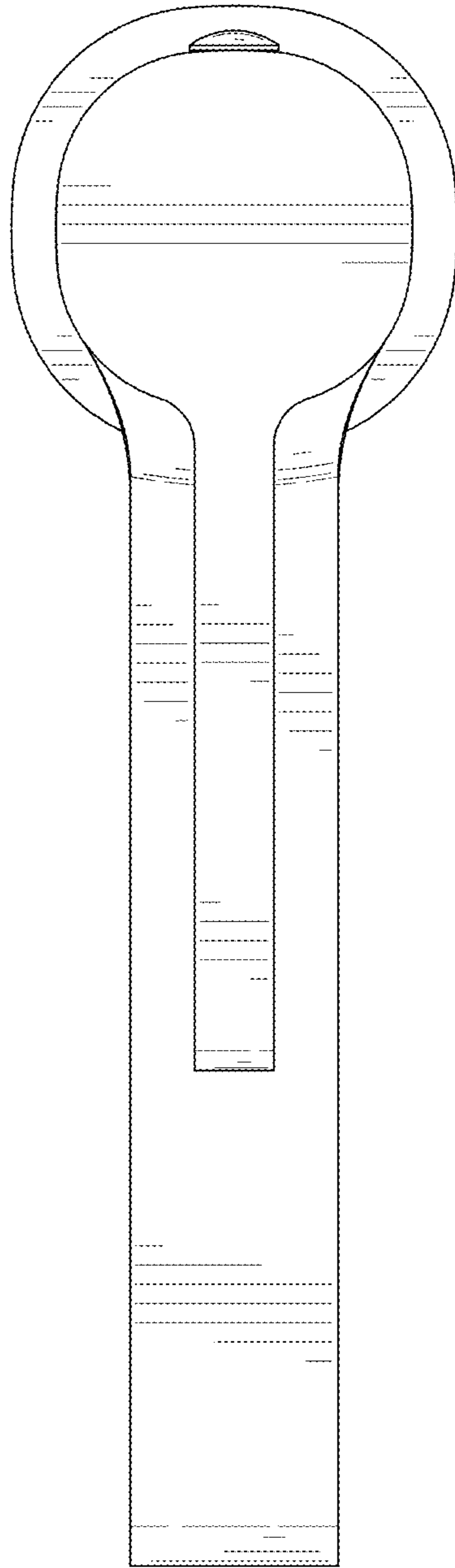


FIG. 7

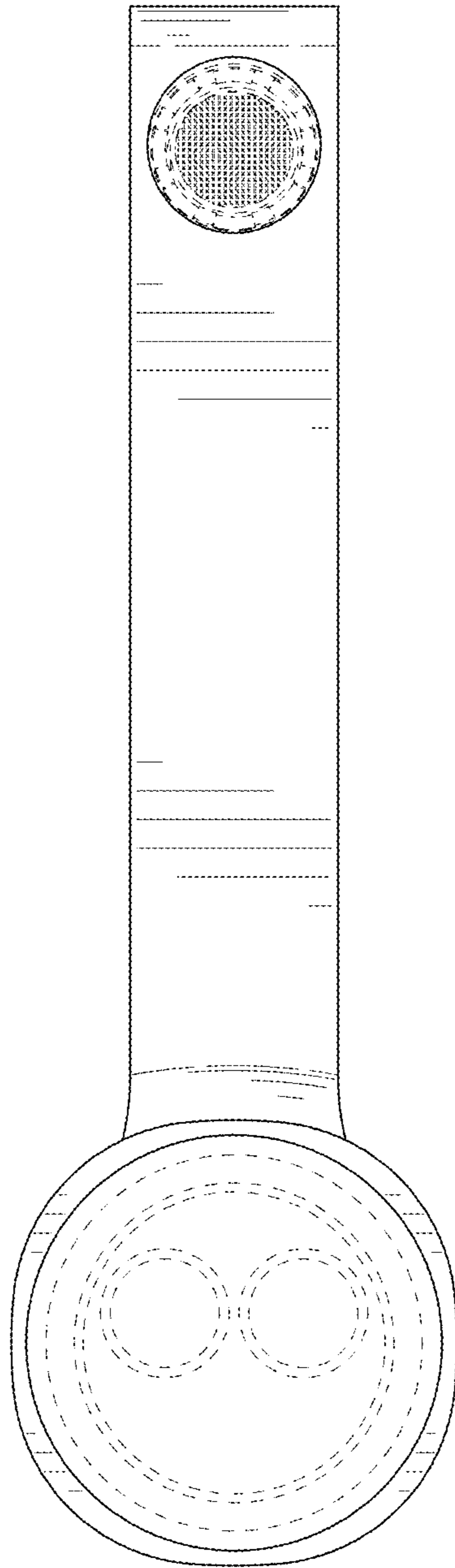


FIG. 8

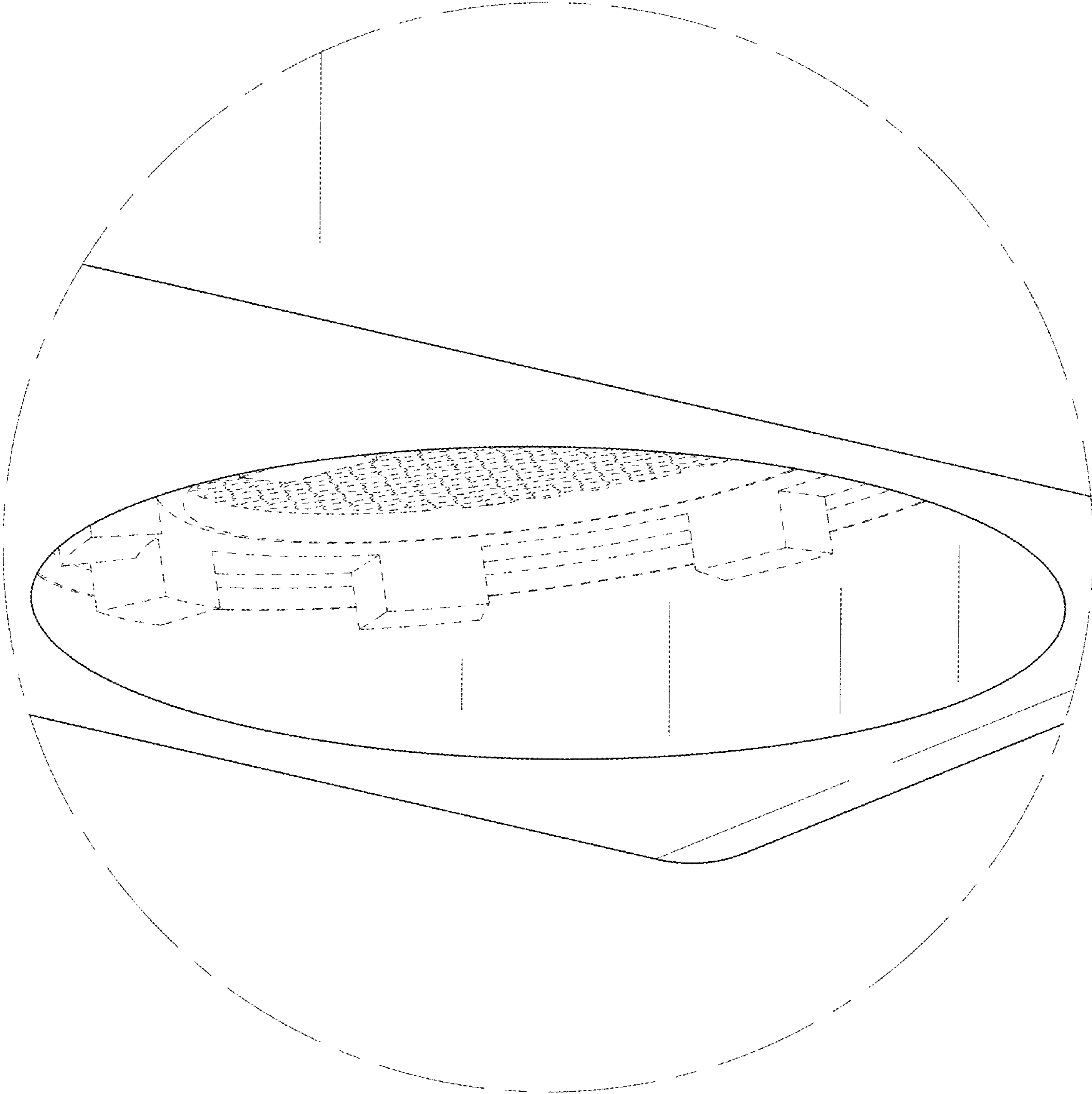


FIG. 9