



US00D970692S

(12) **United States Design Patent** (10) **Patent No.:** **US D970,692 S**
Kuang (45) **Date of Patent:** **** Nov. 22, 2022**

(54) **FAUCET**
(71) Applicant: **Huatian Kuang**, Jiangmen (CN)
(72) Inventor: **Huatian Kuang**, Jiangmen (CN)
(**) Term: **15 Years**

D863,506 S * 10/2019 Hayner D23/238
D889,600 S * 7/2020 Zhang D23/213
D914,847 S * 3/2021 Zhang D23/238
D940,278 S * 1/2022 Staler D23/238
2015/0013812 A1* 1/2015 Bosio E03C 1/0404
137/801

(Continued)

(21) Appl. No.: **29/754,451**
(22) Filed: **Oct. 12, 2020**
(51) **LOC (13) Cl.** **23-01**
(52) **U.S. Cl.**
USPC **D23/238**
(58) **Field of Classification Search**
USPC D23/238, 239, 240, 241, 242, 243, 246,
D23/247, 248, 249, 250, 251, 252, 253,
D23/254, 255, 256, 257
CPC . E03C 1/01; E03C 1/0409; E03C 1/04; E03C
1/0401; E03C 1/025; E03C 1/0408; E03C
1/0402; E03C 1/0405; E03C 1/0412;
Y10T 137/5339; Y10T 137/6014; Y10T
137/6021
See application file for complete search history.

FOREIGN PATENT DOCUMENTS

CN 201430183702 * 6/2014
CN 201430247627 * 7/2014

(Continued)

OTHER PUBLICATIONS

Amazon, THEEIERCE Kitchen Sink Tap, posted Nov. 19, 2020, [online], [visited Feb. 18, 2022]. Internet, <URL: <https://www.amazon.co.uk/THEEIERCE-Kitchen-Swivel-Sprayer-Finished/dp/B08NVQW8XT/ref>> (Year: 2020).*

(Continued)

Primary Examiner — Samantha Wood

(57) **CLAIM**

The ornamental design for a faucet, as shown and described.

DESCRIPTION

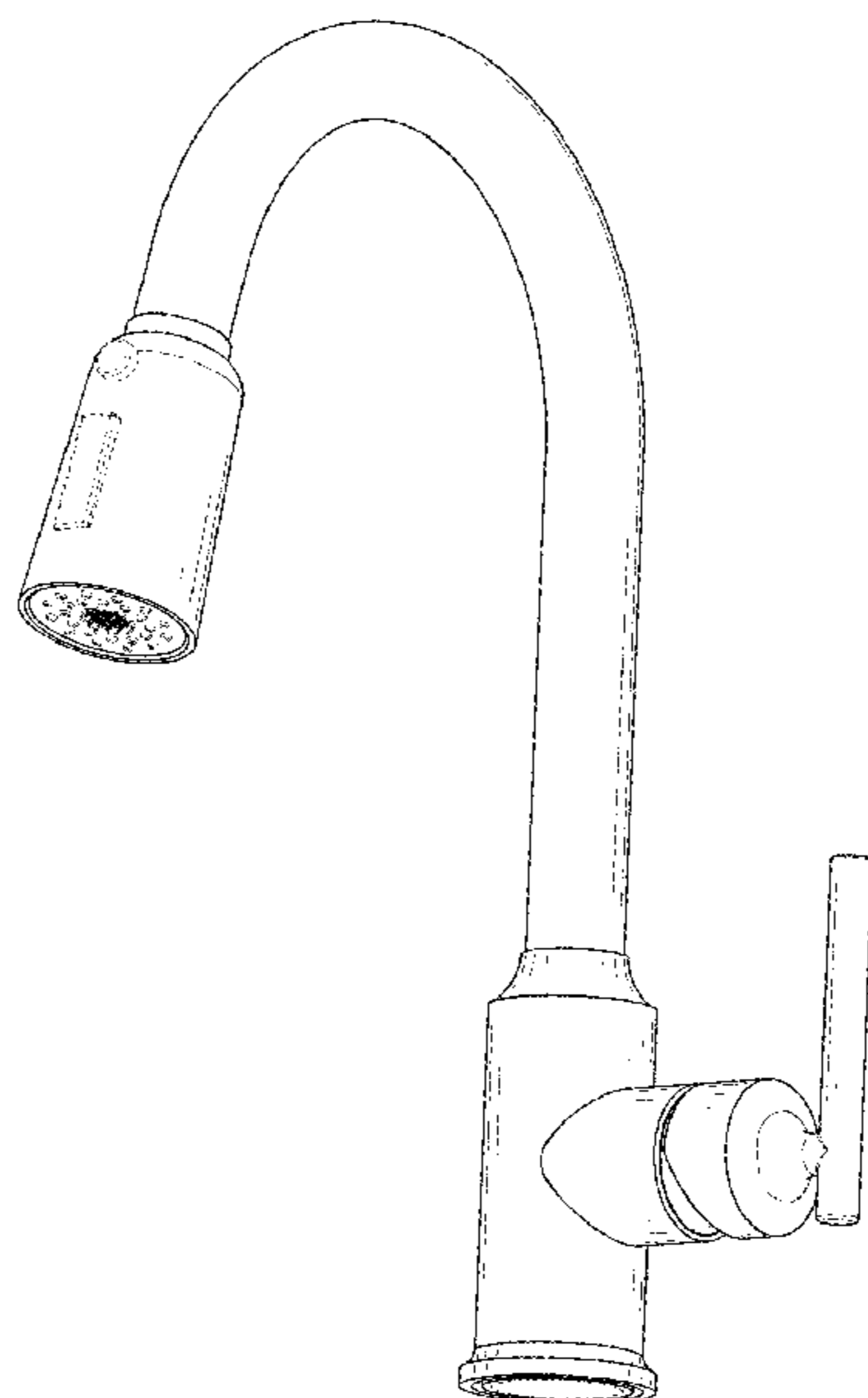
FIG. 1 is a first perspective view of a faucet showing my new design;
FIG. 2 is a second perspective view thereof;
FIG. 3 is a front view thereof;
FIG. 4 is a back view thereof;
FIG. 5 is a left side view thereof;
FIG. 6 is a right side view thereof;
FIG. 7 is a top view thereof; and,
FIG. 8 is a bottom view thereof.
The broken lines are included for the purpose of illustrating portions of the faucet and form no part of the claimed design.

1 Claim, 8 Drawing Sheets

(56) **References Cited**

U.S. PATENT DOCUMENTS

D319,294 S * 8/1991 Kohler, Jr. D23/254
D442,676 S * 5/2001 Dretzka D23/255
D479,579 S * 9/2003 Haug D23/238
D503,777 S * 4/2005 Costello D23/255
D531,698 S * 11/2006 Wood D23/238
D607,974 S * 1/2010 Flowers D23/238
D611,124 S * 3/2010 Schoenherr D23/238
D627,441 S * 11/2010 Sedwick D23/252
D635,220 S * 3/2011 Rubin D23/238
D635,221 S * 3/2011 Rubin D23/238
D635,648 S * 4/2011 Schoenherr D23/255
D786,405 S * 5/2017 Schaubach D23/238
D820,399 S * 6/2018 Garland D23/238
D825,031 S * 8/2018 Haug D23/238



(56)

References Cited

U.S. PATENT DOCUMENTS

2018/0080203 A1* 3/2018 Frye E03C 1/04
2020/0376504 A1* 12/2020 Yan B05B 1/169

FOREIGN PATENT DOCUMENTS

CN 201630024733 * 1/2016
CN 201630246764 * 6/2016
CN 201730386227 * 8/2017
CN 201830285534.2 * 6/2018
CN 112096924 A * 12/2020 E03C 1/0404
CN 112240415 A * 1/2021 E03C 1/025

OTHER PUBLICATIONS

Amazon, WOWOW Kitchen Faucets with Pull Down Sprayer, posted Mar. 18, 2021, [online], [visited Feb. 24, 2022]. Internet, <URL: <https://www.amazon.com/WOWOW-Kitchen-Faucets-Sprayer-Stainless/dp/B08ZCJSV2S/ref>> (Year: 2021).*

* cited by examiner

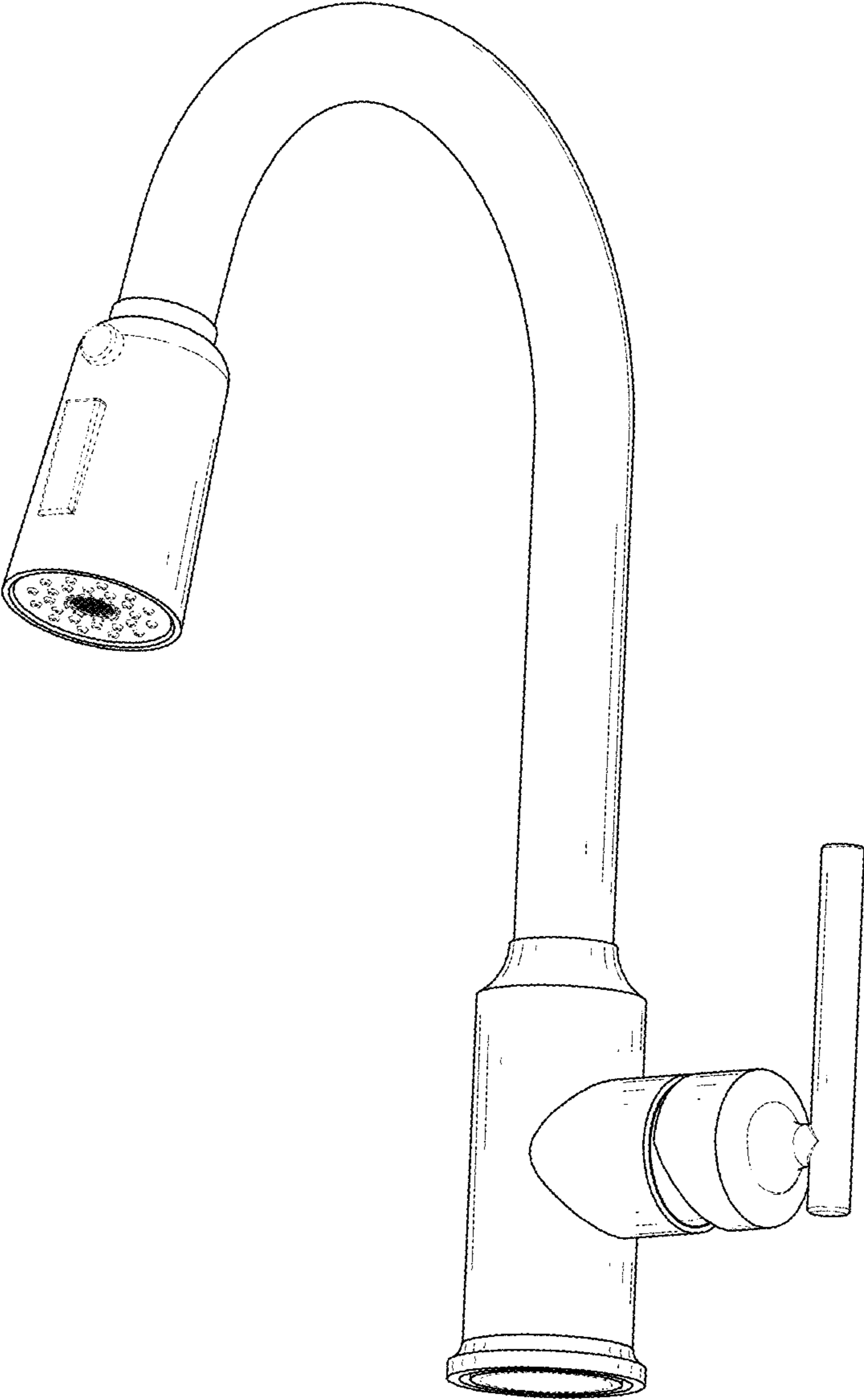


FIG. 1

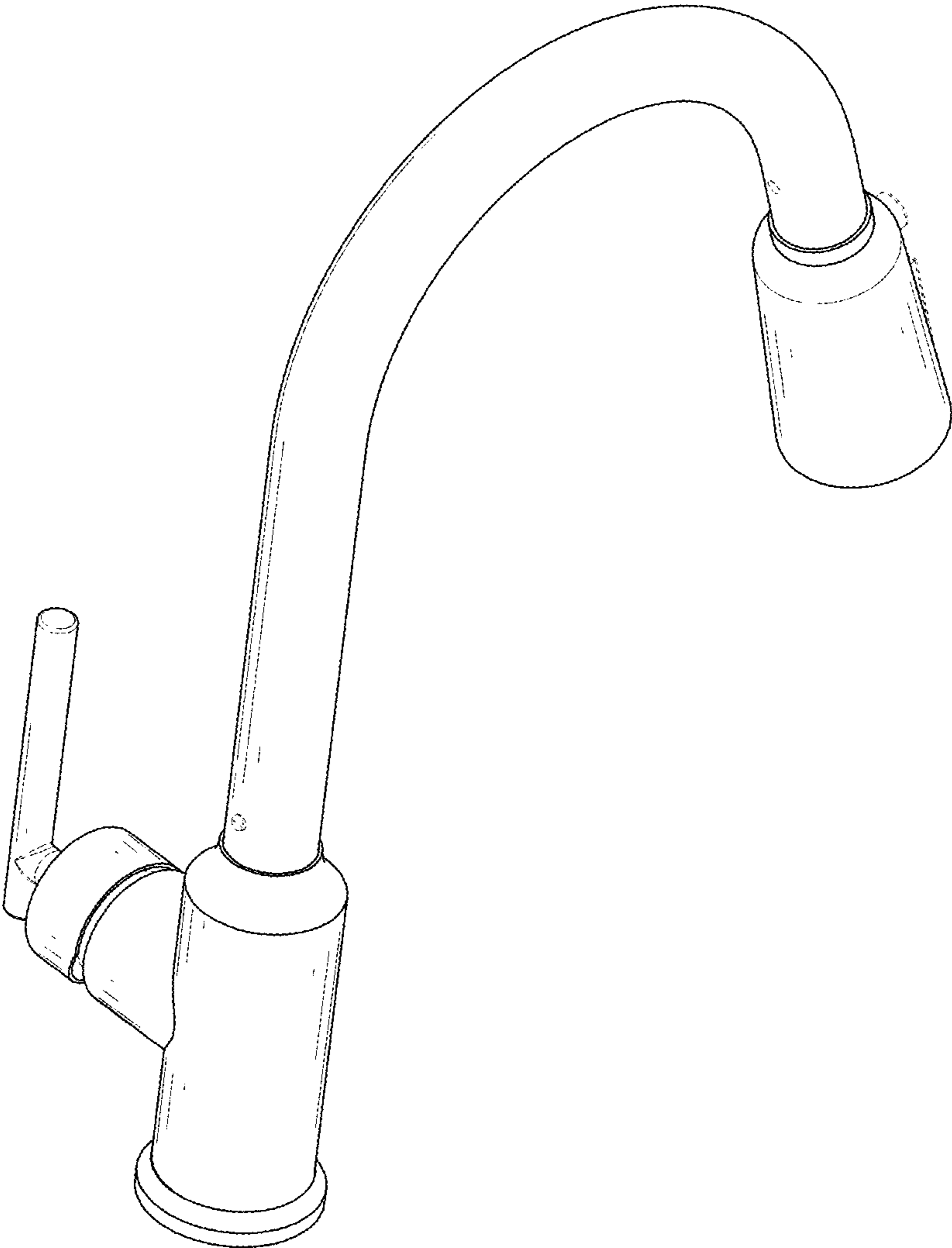


FIG. 2

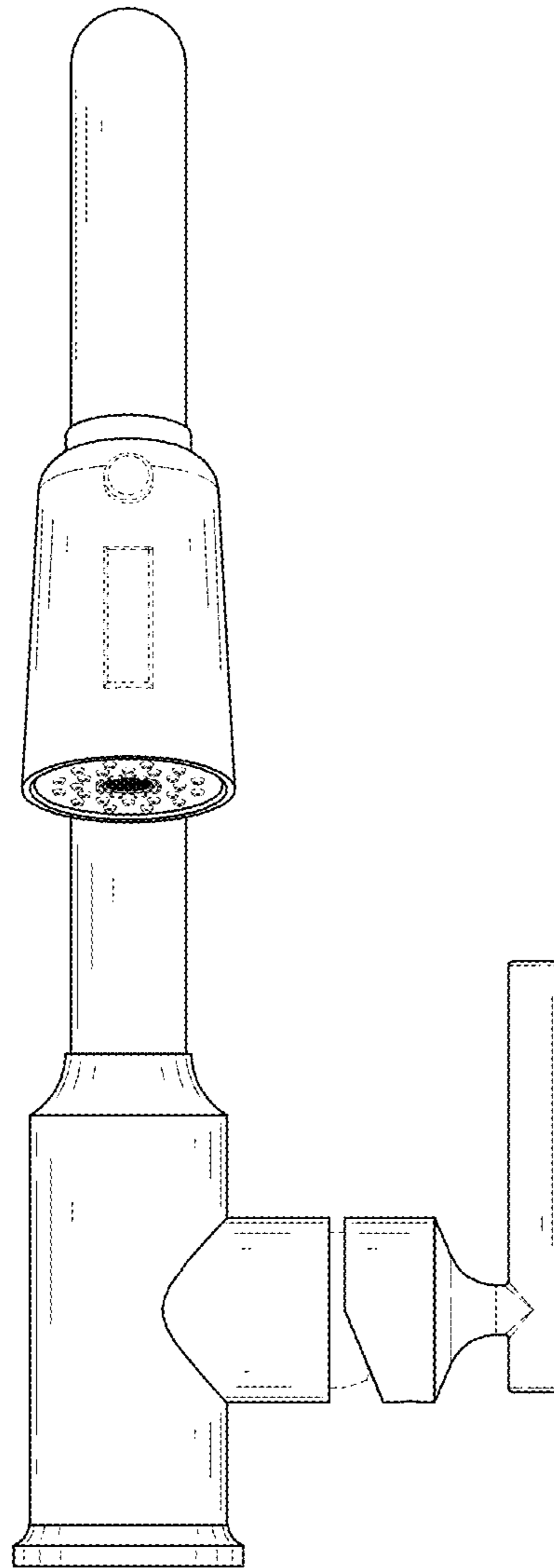


FIG. 3

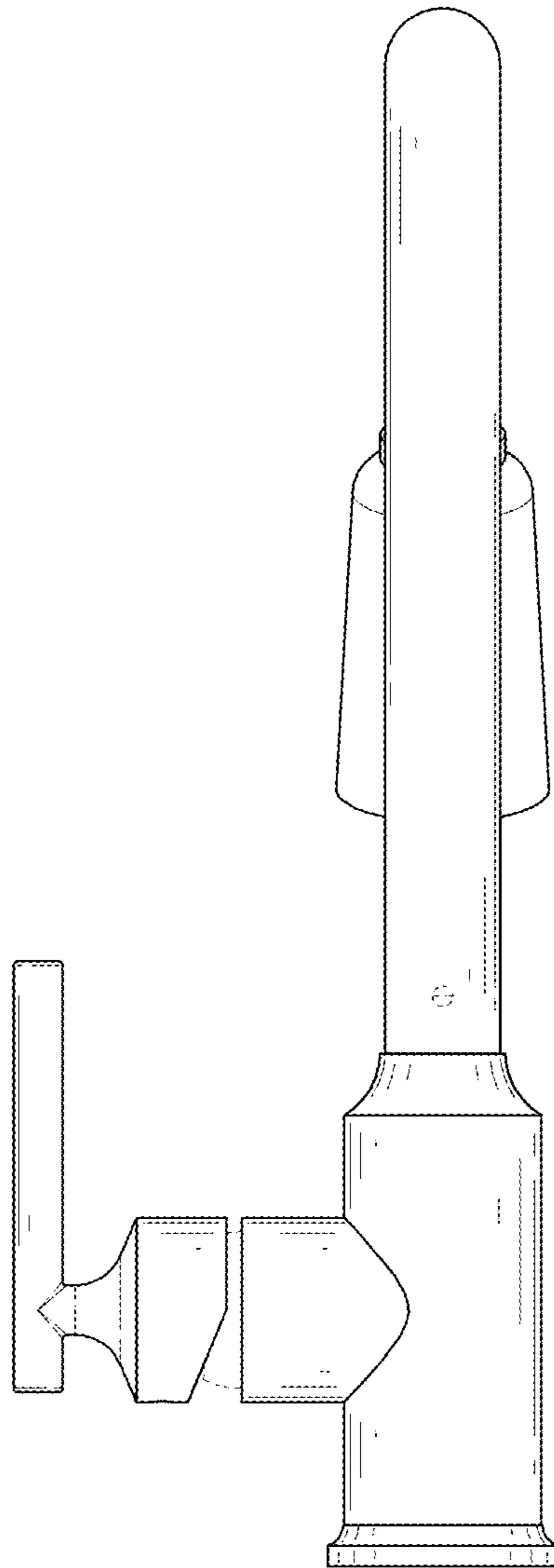


FIG. 4

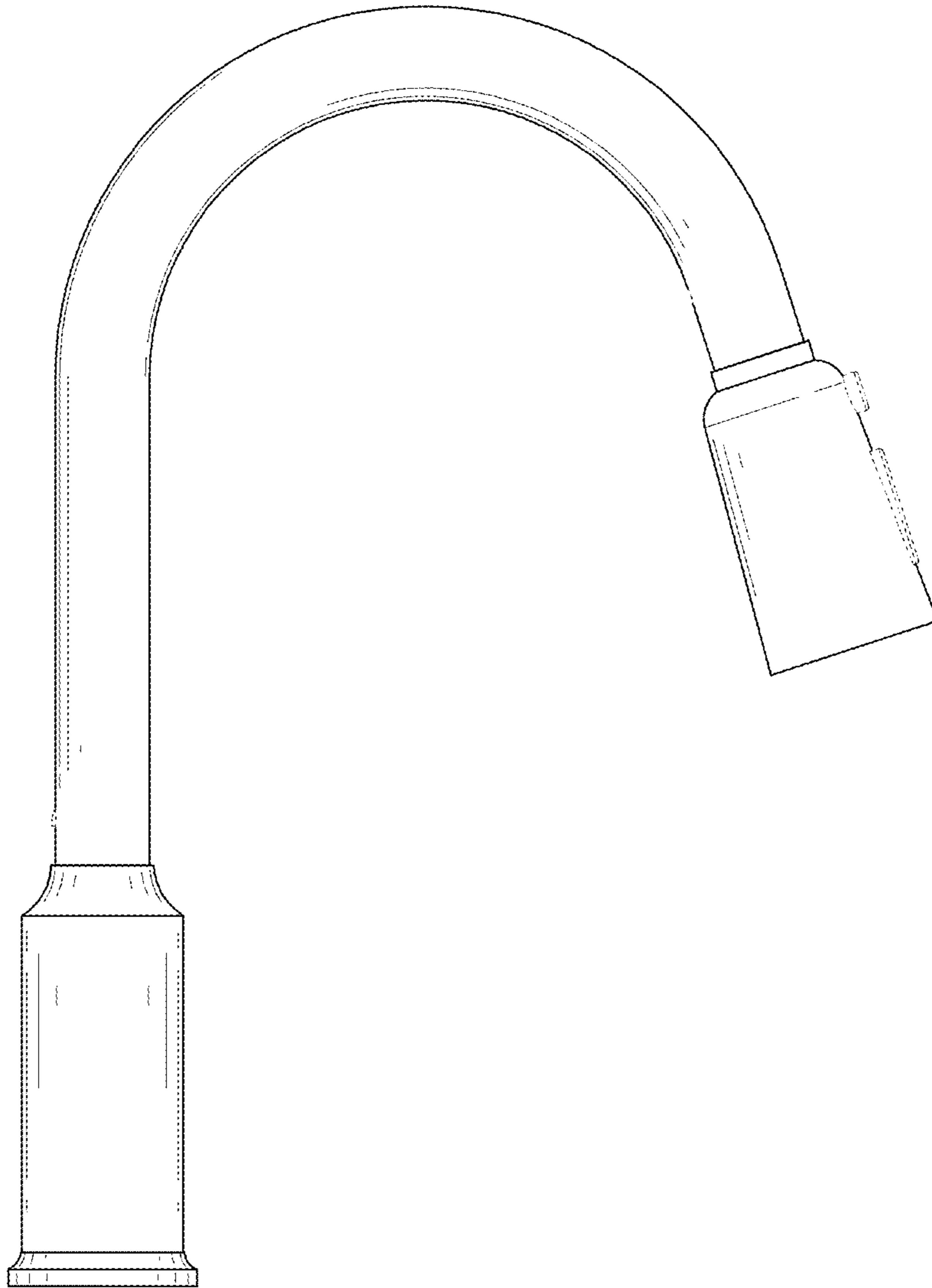


FIG. 5

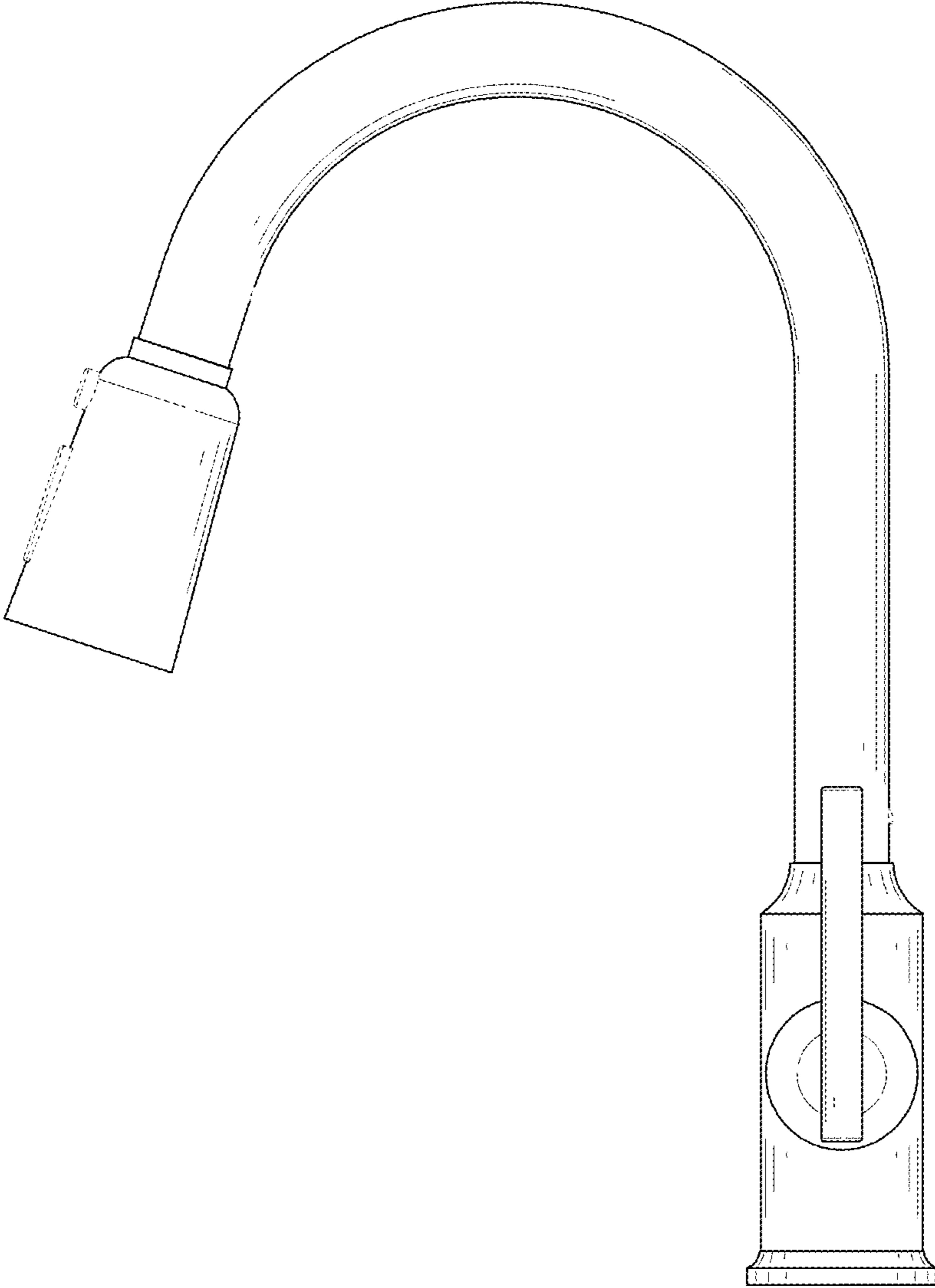


FIG. 6

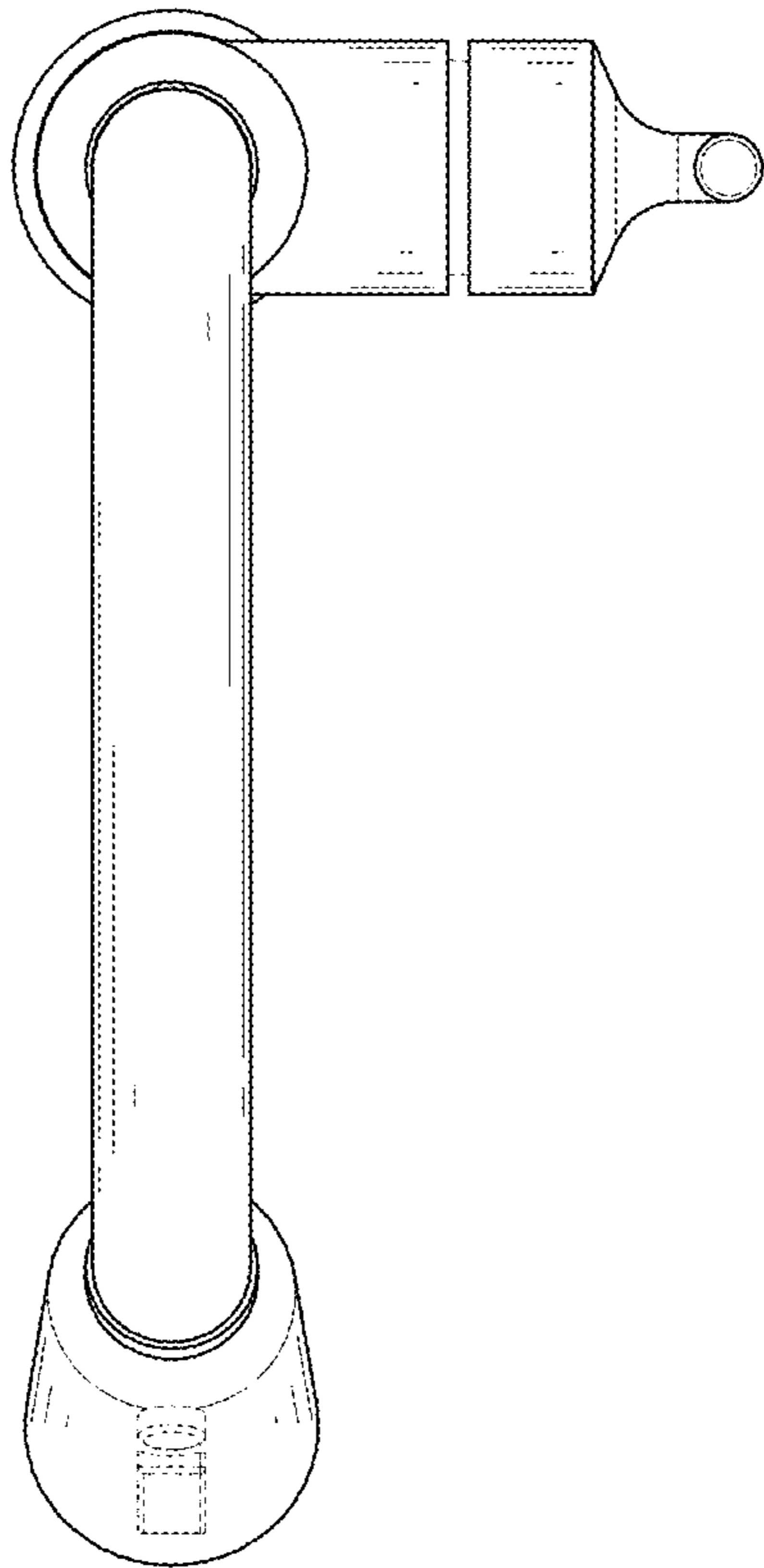


FIG. 7

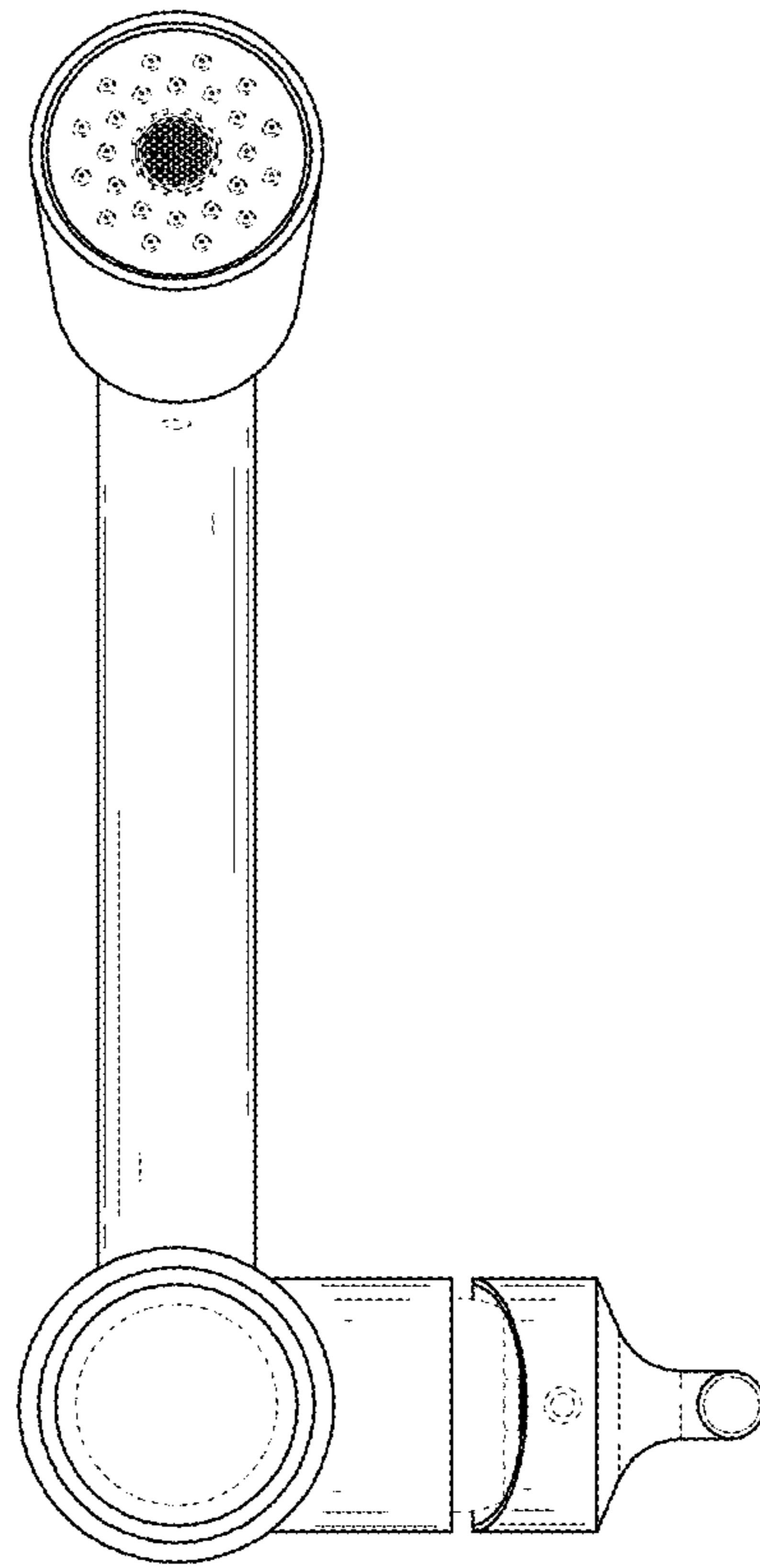


FIG. 8