



US00D970691S

(12) **United States Design Patent** (10) **Patent No.:** **US D970,691 S**
Xie (45) **Date of Patent:** **** Nov. 22, 2022**

(54) **RAPID VALVE**

(71) Applicant: **Shenzhen Jiaxin Technology Co., Ltd.**,
Shenzhen (CN)

(72) Inventor: **Penghui Xie**, Shenzhen (CN)

(**) Term: **15 Years**

(21) Appl. No.: **29/791,189**

(22) Filed: **Jan. 4, 2022**

(51) **LOC (13) Cl.** **23-01**

(52) **U.S. Cl.**
USPC **D23/233**

(58) **Field of Classification Search**
USPC D23/233, 235, 248, 249, 260
CPC F16K 15/144; F16K 15/202
See application file for complete search history.

(56) **References Cited**

U.S. PATENT DOCUMENTS

D278,739 S	5/1985	Galloway	
D295,220 S	4/1988	Kay	
D369,942 S	5/1996	Ahern, Jr.	
8,584,695 B2 *	11/2013	Lau	F16K 15/202 137/232
D755,348 S	5/2016	Mitsuoka	
9,618,130 B1 *	4/2017	Nguyen	B65D 31/147
10,151,396 B2 *	12/2018	Nguyen	B65D 31/147
D838,811 S	1/2019	Kornblum	
D849,195 S	5/2019	Matsushita	

D851,213 S	6/2019	Matsushita	
D905,829 S *	12/2020	Zhang	D23/260
2008/0223449 A1 *	9/2008	Culp	F16K 15/205 137/232
2009/0139582 A1 *	6/2009	Franta	F16K 15/202 137/232
2019/0184408 A1 *	6/2019	Tsai	F16K 15/202
2020/0056711 A1 *	2/2020	Huang	F16K 15/205
2022/0125213 A1 *	4/2022	Ocegueda Gallaga	A47C 27/081

* cited by examiner

Primary Examiner — Gino Colan

(74) *Attorney, Agent, or Firm* — Novoclaims Patent
Services LLC; Mei Lin Wong

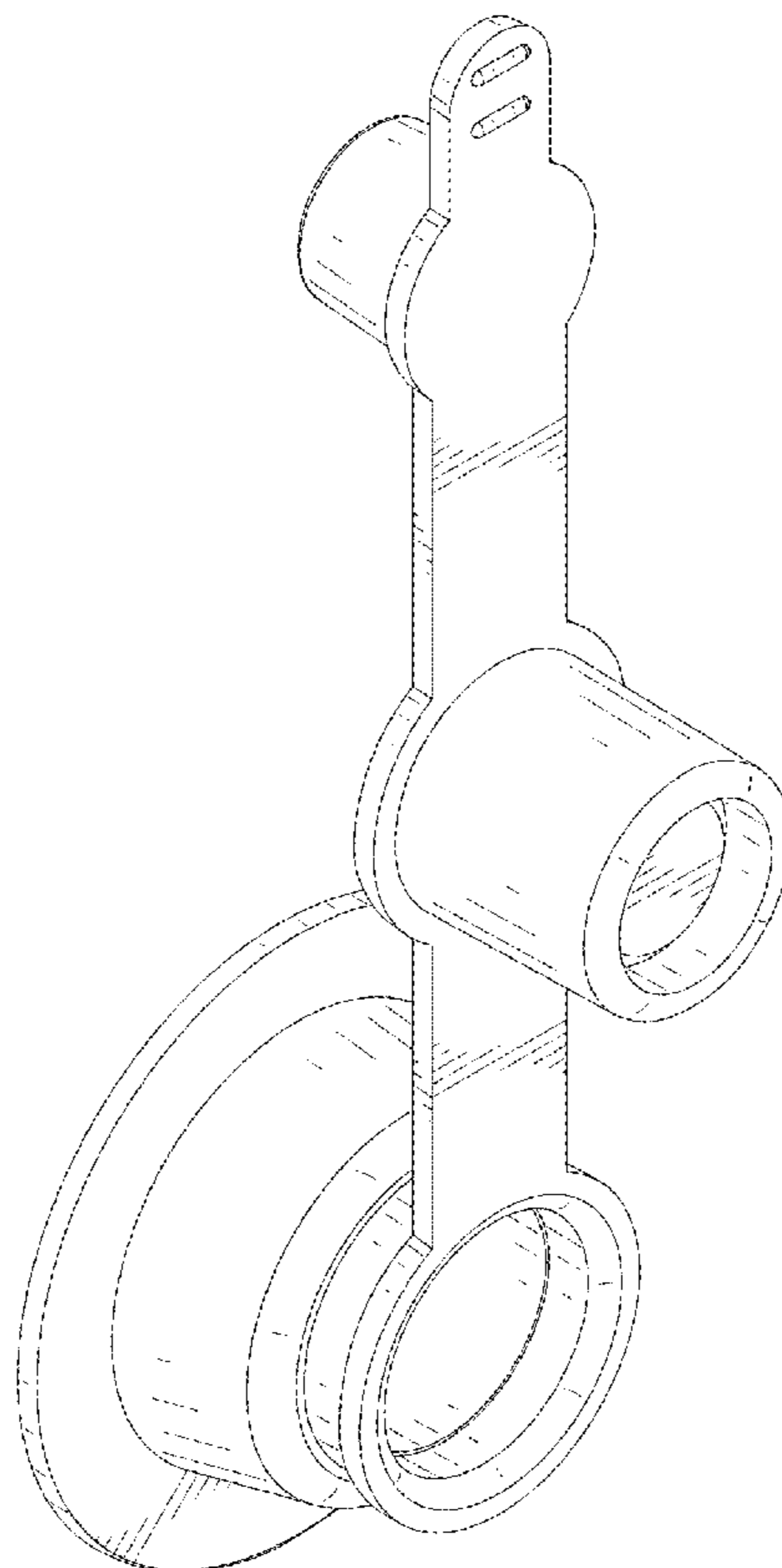
(57) **CLAIM**

The ornamental design for a rapid valve, as shown and described.

DESCRIPTION

FIG. 1 is a perspective view of a rapid valve showing my new design;
FIG. 2 is a rear perspective view thereof;
FIG. 3 is a front view thereof;
FIG. 4 is a rear view thereof;
FIG. 5 is a left side view thereof;
FIG. 6 is a right side view thereof;
FIG. 7 is a top view thereof; and,
FIG. 8 is a bottom view thereof.

1 Claim, 8 Drawing Sheets



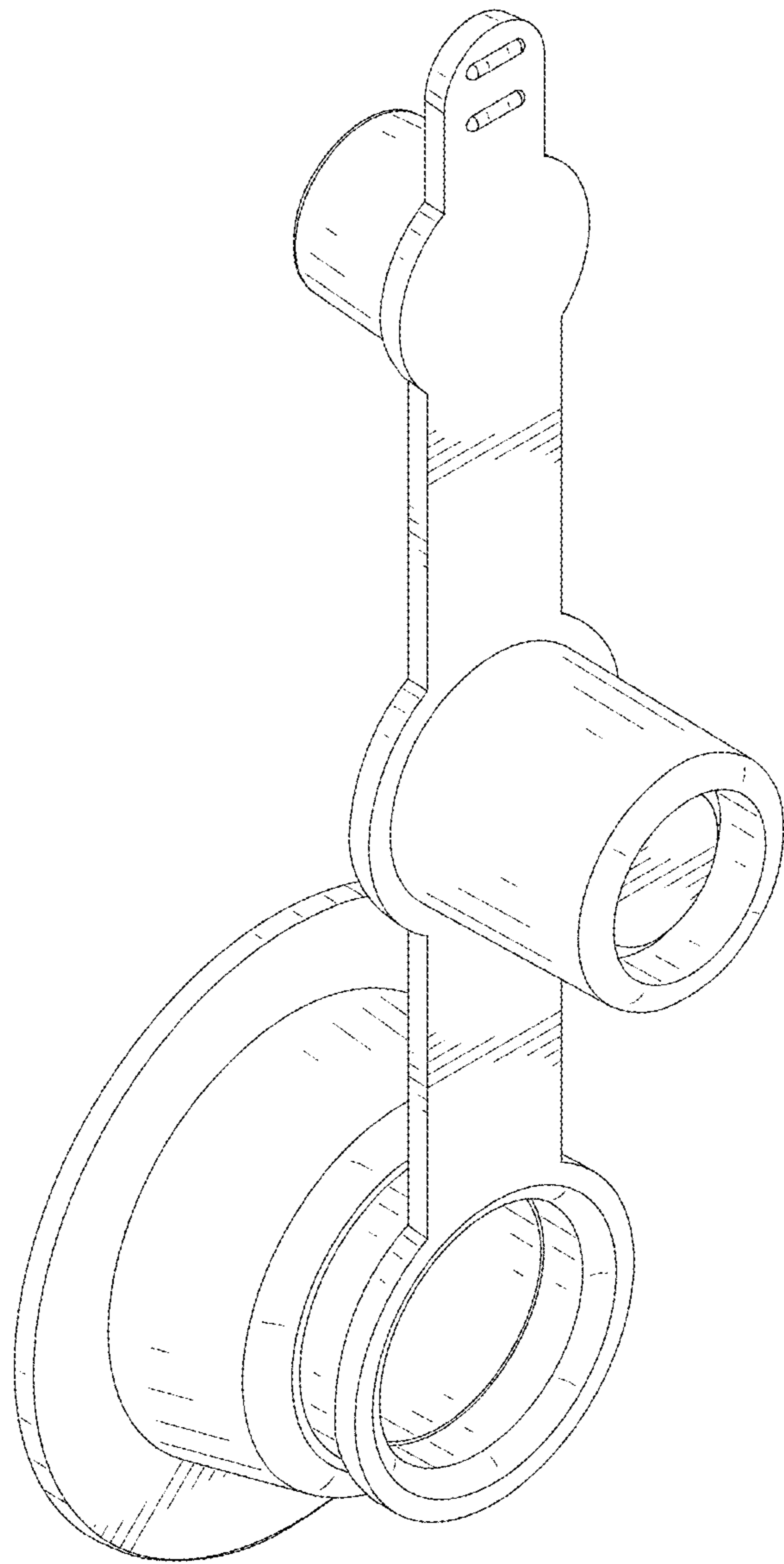


FIG.1

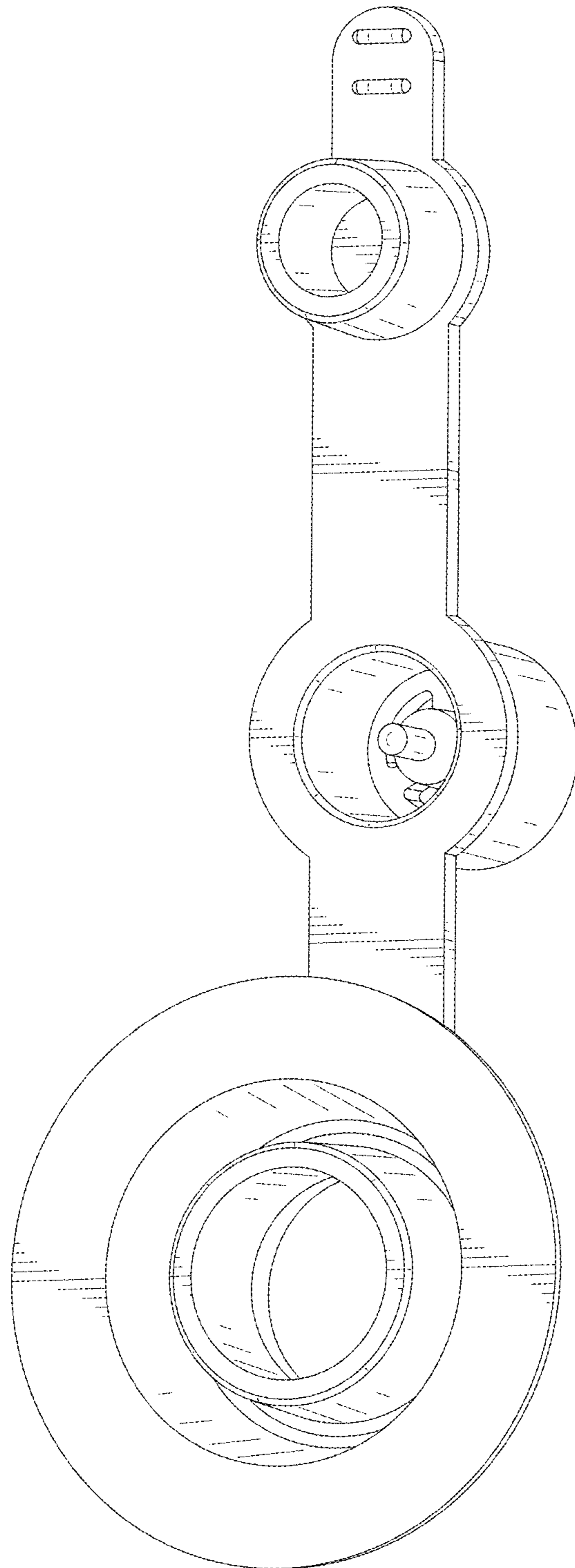


FIG.2

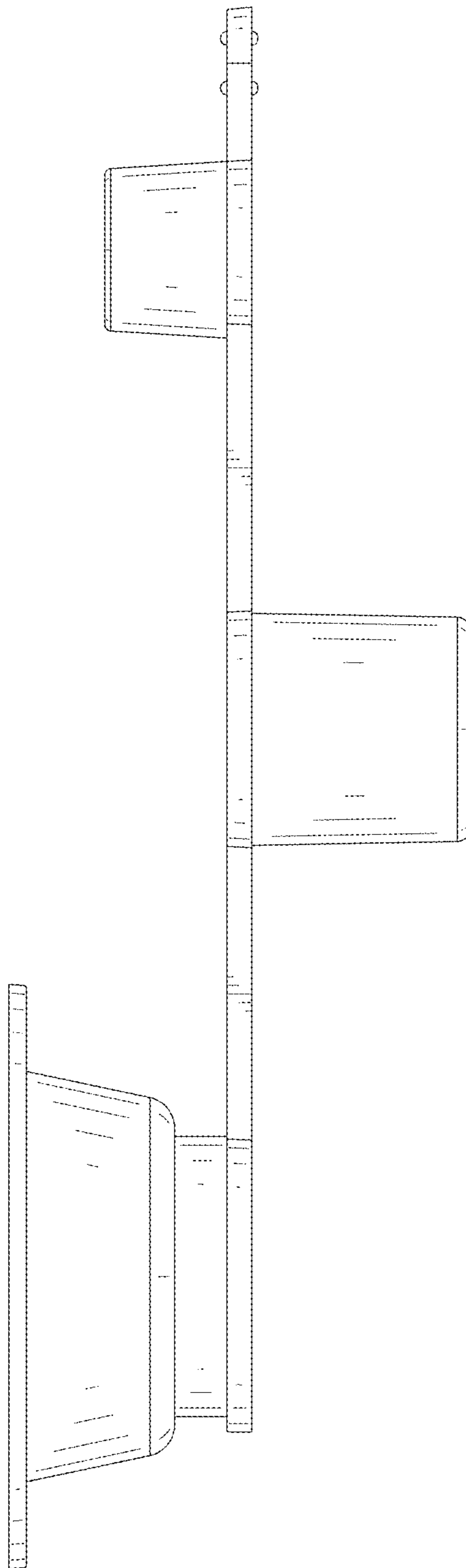


FIG.3

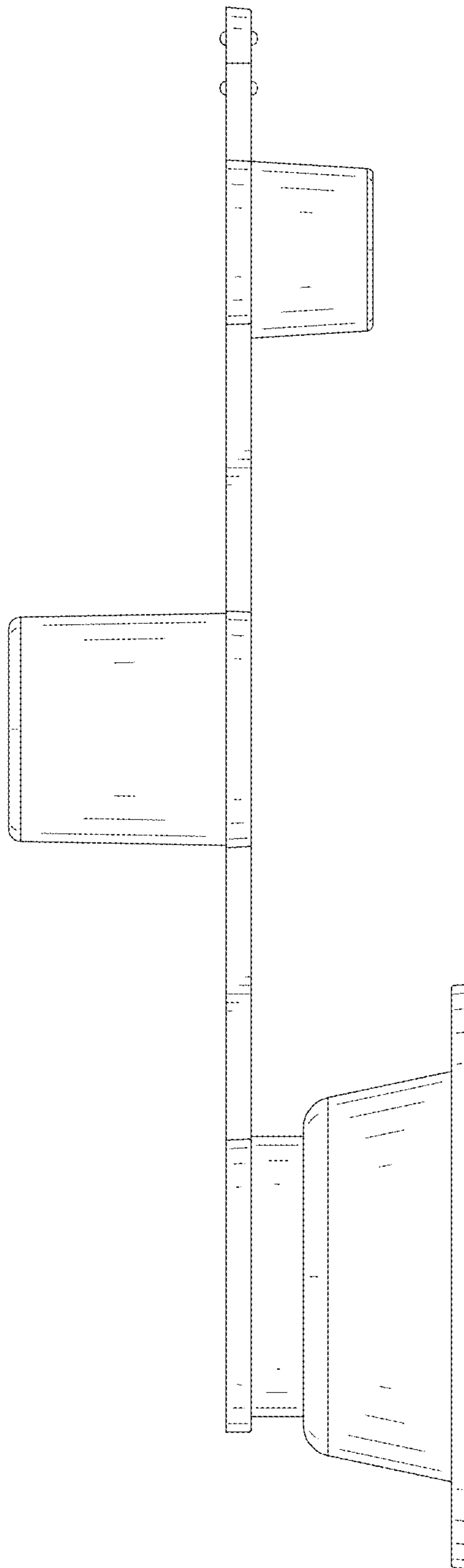


FIG.4

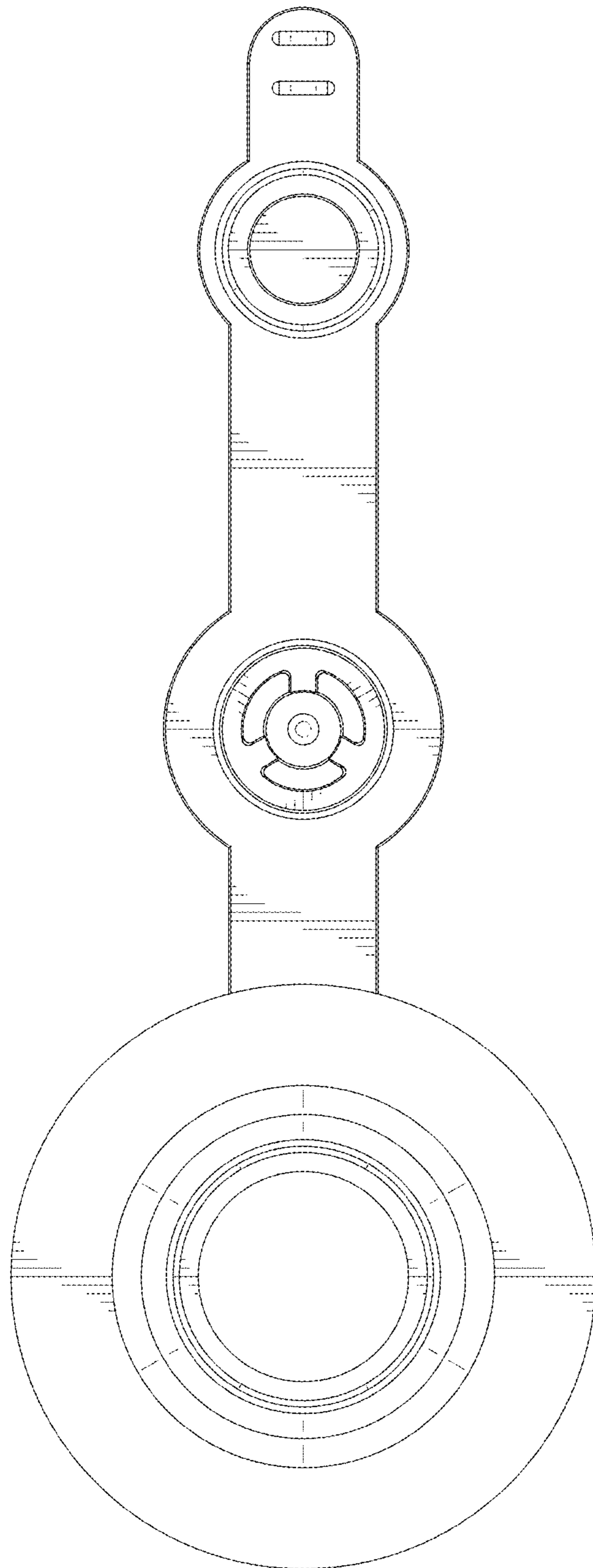


FIG.5

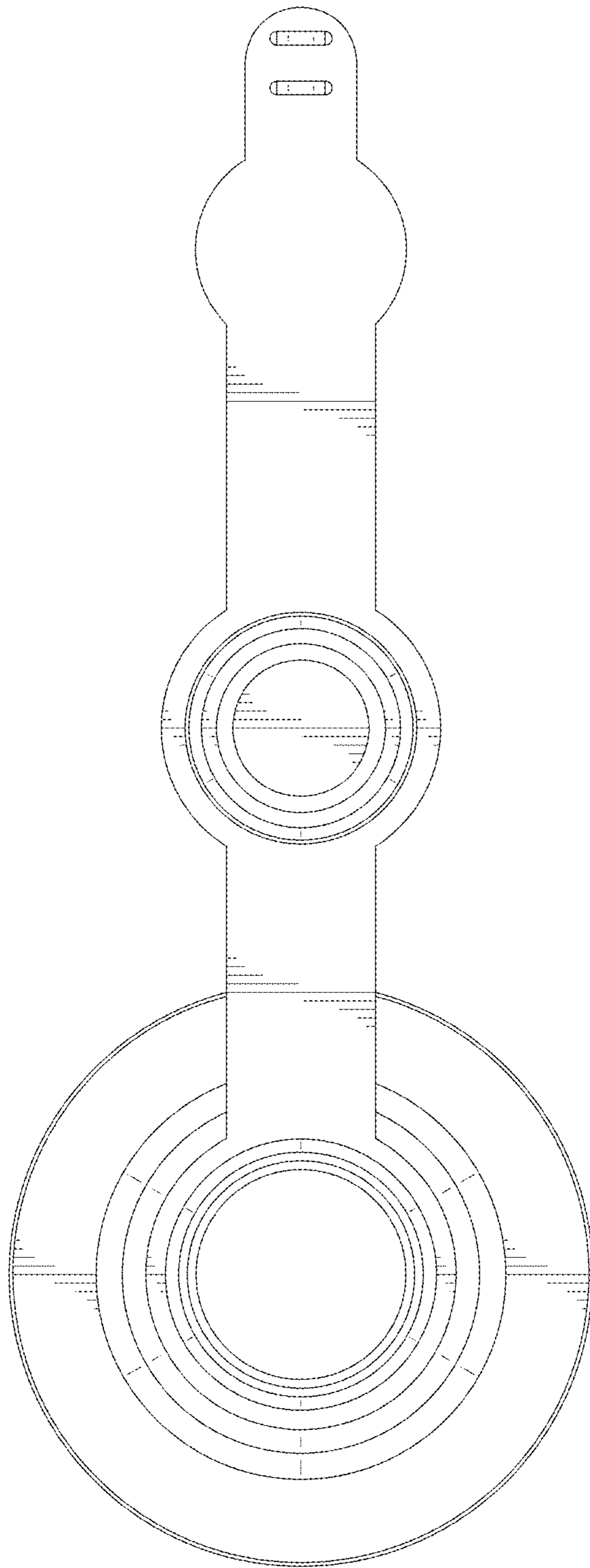


FIG.6

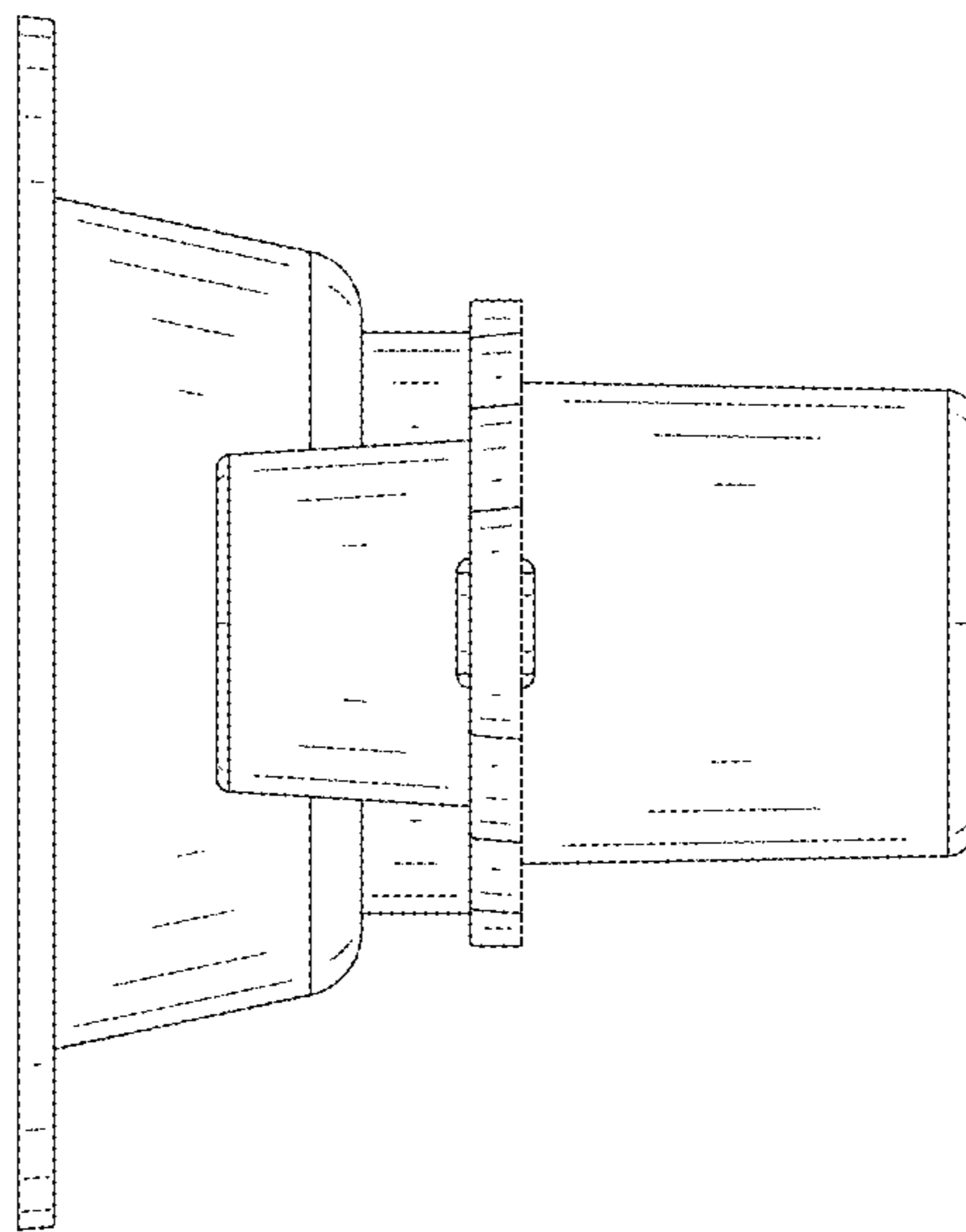


FIG.7

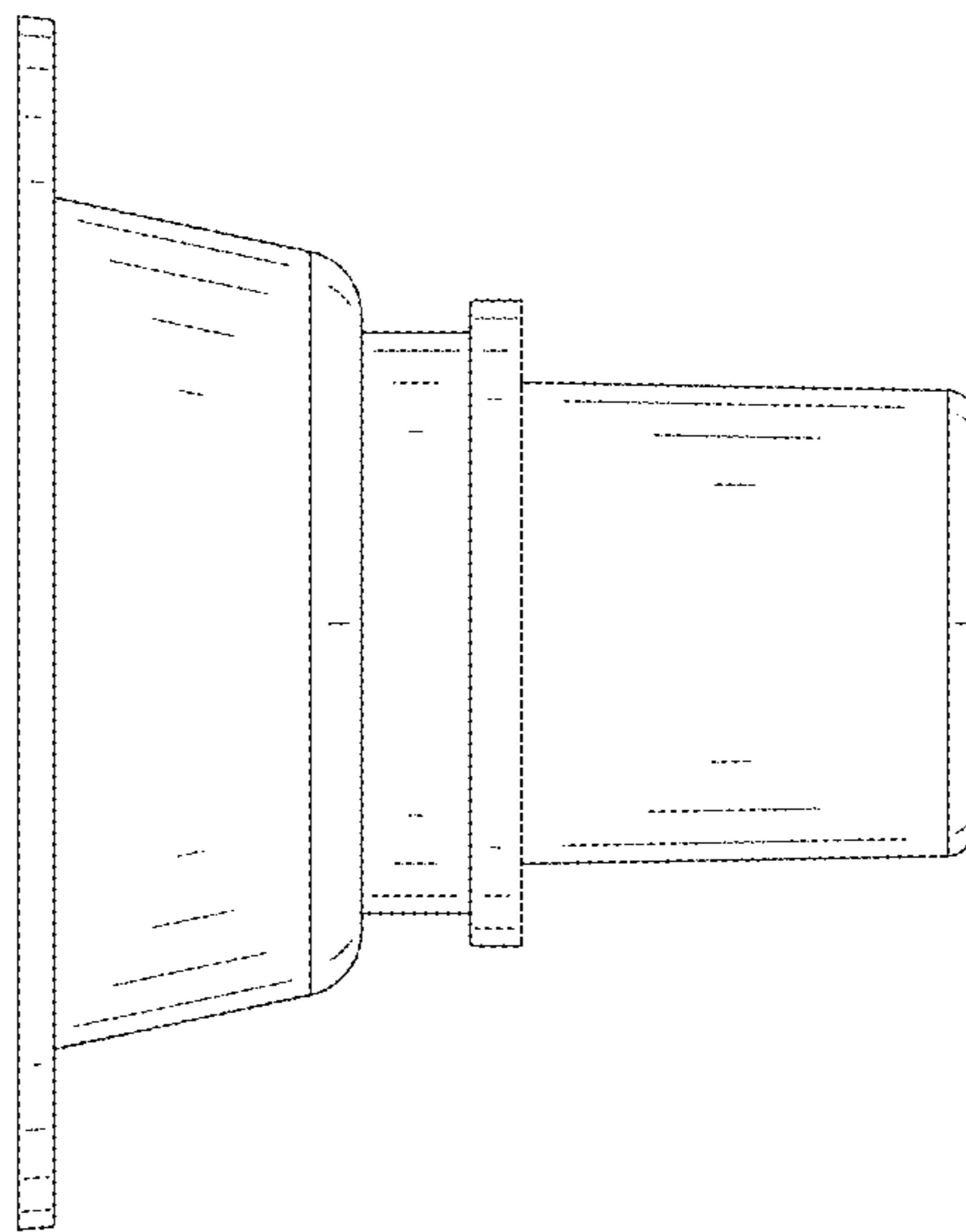


FIG.8