



US00D970688S

(12) **United States Design Patent** (10) **Patent No.:** **US D970,688 S**  
**Yan** (45) **Date of Patent:** **\*\* Nov. 22, 2022**

(54) **SHOWER HEAD**  
(71) Applicant: **Xiaoling Yan**, Xiamen (CN)  
(72) Inventor: **Xiaoling Yan**, Xiamen (CN)  
(73) Assignee: **XIAMEN GALENPOO KITCHEN & BATHROOM TECHNOLOGY CO., LTD**, Xiamen (CN)

D901,630 S \* 11/2020 Wu ..... D23/213  
D907,743 S \* 1/2021 Wu ..... D23/213  
D919,747 S \* 5/2021 Lin ..... D23/223  
D930,790 S \* 9/2021 Yan ..... D23/223  
D931,411 S \* 9/2021 Yan ..... D23/213  
D935,556 S \* 11/2021 Yan ..... D23/213  
D935,559 S \* 11/2021 He ..... D23/226  
D936,178 S \* 11/2021 Lin ..... D23/213  
D944,919 S 3/2022 Yu

(\*\*) Term: **15 Years**  
(21) Appl. No.: **29/840,078**  
(22) Filed: **May 25, 2022**  
(51) **LOC (13) Cl.** ..... **23-01**  
(52) **U.S. Cl.**  
USPC ..... **D23/223**  
(58) **Field of Classification Search**  
USPC ..... D23/213, 214, 215, 223, 224, 226, 229,  
D23/230  
CPC ..... A61H 9/0021; A61H 33/00; B05B 1/00;  
B05B 1/14; B05B 1/185; B05B 1/08;  
B05B 1/02; B05B 1/26; B05B 12/002;  
B05B 1/18; B05B 9/01  
See application file for complete search history.

**OTHER PUBLICATIONS**

Shower Head, SR Sun Rise 6-Settings 4.8" High Pressure Hand-held, Jan. 13, 2017, amazon.ca, Jul. 15, 2022, URL: <https://www.amazon.ca/SR-SUN-RISE-6-Settings-Pressure/dp/B07FKHCGK1/> (Year: 2017).\*

(Continued)

*Primary Examiner* — Keith J Wilson  
(74) *Attorney, Agent, or Firm* — Justin Lampel

(57) **CLAIM**

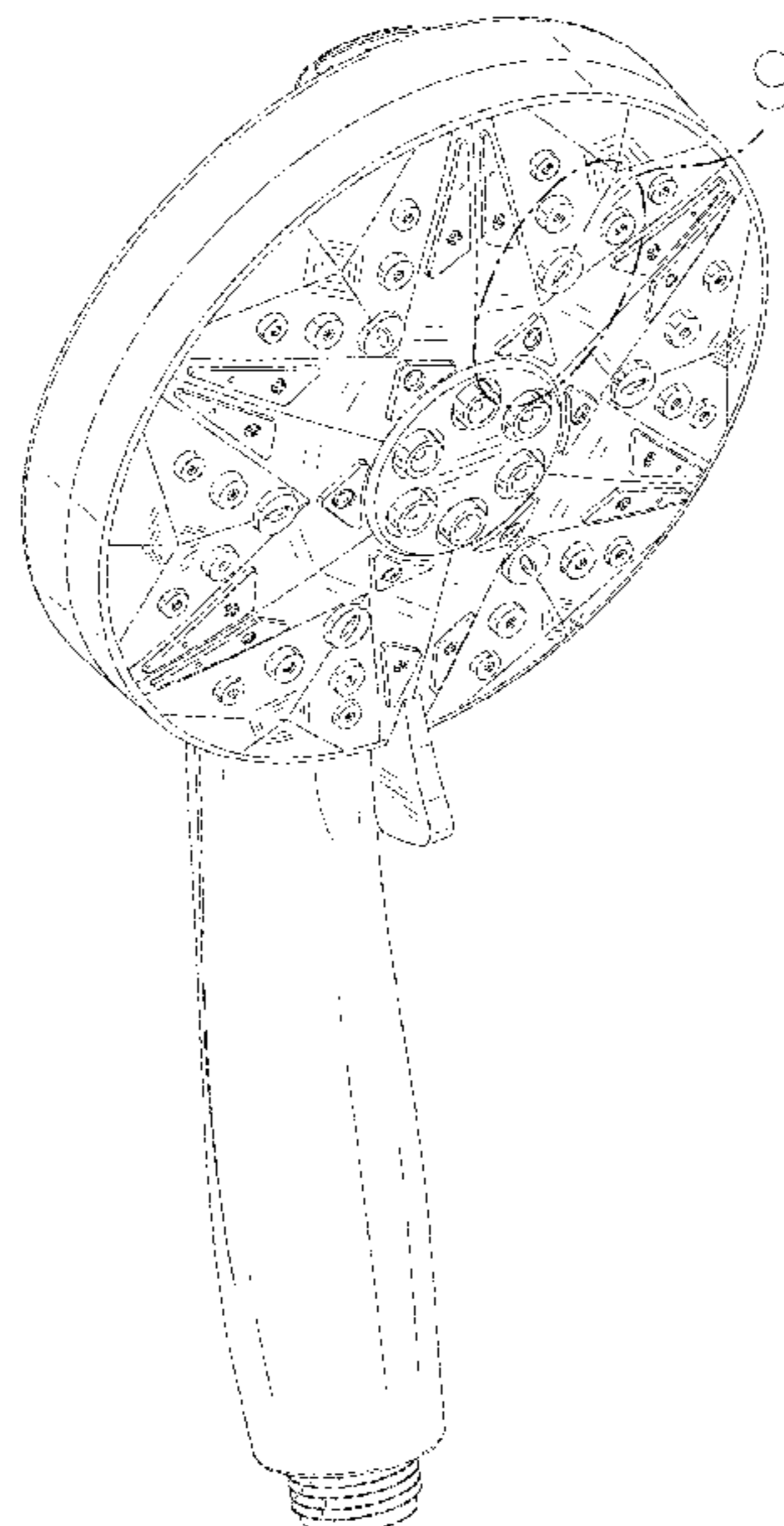
The ornamental design for a shower head, as shown and described.

**DESCRIPTION**

FIG. 1 is a perspective view of a shower head showing the claimed design;  
FIG. 2 is another perspective view thereof;  
FIG. 3 is a front elevational view thereof;  
FIG. 4 is a rear elevational view thereof;  
FIG. 5 is a left side view thereof;  
FIG. 6 is a right side view thereof;  
FIG. 7 is a top plan view thereof;  
FIG. 8 is a bottom plan view thereof; and,  
FIG. 9 is a detail enlarged view of FIG. 1 thereof.  
The broken lines illustrate portions of the shower head that form no part of the claimed design.

**1 Claim, 9 Drawing Sheets**

(56) **References Cited**  
U.S. PATENT DOCUMENTS  
D575,372 S \* 8/2008 Mullenmeister ..... D23/223  
D617,873 S \* 6/2010 Lee ..... D23/229  
D617,874 S \* 6/2010 Lee ..... D23/229  
D631,133 S \* 1/2011 Yoo ..... D23/223  
D634,810 S \* 3/2011 Yoo ..... D23/213  
D667,531 S \* 9/2012 Romero ..... D23/223  
D667,928 S \* 9/2012 Cutler ..... D23/223  
D670,358 S \* 11/2012 Bai ..... D23/223  
D672,011 S \* 12/2012 Andrew ..... D23/223  
D672,433 S \* 12/2012 Yoo ..... D23/223  
D681,776 S \* 5/2013 Cutler ..... D23/223  
D900,963 S \* 11/2020 Wu ..... D23/223



(56)

**References Cited**

OTHER PUBLICATIONS

AquaSpa High Pressure 6-setting Luxury Handheld Shower, Sep. 17, 2019, amazon.ca, Jul. 15, 2022, URL: [https://www.amazon.ca/dp/B07XSBWCFJ/ref=sbl\\_dpx\\_ca-home-improvement-bathroom-handheld-showerheads\\_B088R3D455\\_0](https://www.amazon.ca/dp/B07XSBWCFJ/ref=sbl_dpx_ca-home-improvement-bathroom-handheld-showerheads_B088R3D455_0) (Year: 2019).\*

QLFJ-FurDec 7 Settings Shower Head, Nov. 2, 2021, amazon.ca, Jul. 15, 2022, URL: <https://www.amazon.ca/QLFJ-FurDec-Settings-Pressure-Handheld-Showerhead/dp/B09KTX5Z6V/> (Year: 2021).\*

Shower Head, 6-Settings Handheld Shower Head, Jul. 16, 2021, amazon.ca, Jul. 19, 2022, URL: <https://www.amazon.ca/6-Settings-Detachable-Adjustable-Showerheads-Accessories/dp/B099N7H4QQ/> (Year: 2021).\*

Apaix Handheld Shower Head, May 31, 2021, amazon.ca, Jul. 20, 2022, URL: <https://www.amazon.ca/dp/B093QFMQ7H/> (Year: 2021).\*

Janvier High Pressure Shower Head Set, Nov. 17, 2021, amazon.ca, Jul. 22, 2022, URL: [https://www.amazon.ca/dp/B09FLQ29CJ/ref=sbl\\_dpx\\_ca-home-improvement-bathroom-handheld-showerheads\\_B09PV52VM7\\_0](https://www.amazon.ca/dp/B09FLQ29CJ/ref=sbl_dpx_ca-home-improvement-bathroom-handheld-showerheads_B09PV52VM7_0) (Year: 2021).\*

Waterpik High Pressure Shower Head Handheld Spray, Aug. 14, 2018, amazon.ca, Aug. 3, 2022, URL: <https://www.amazon.ca/Waterpik-XET-633-643-Pressure-PowerPulse-Combination/dp/B07GBN8NCK/> (Year: 2018).\*

\* cited by examiner

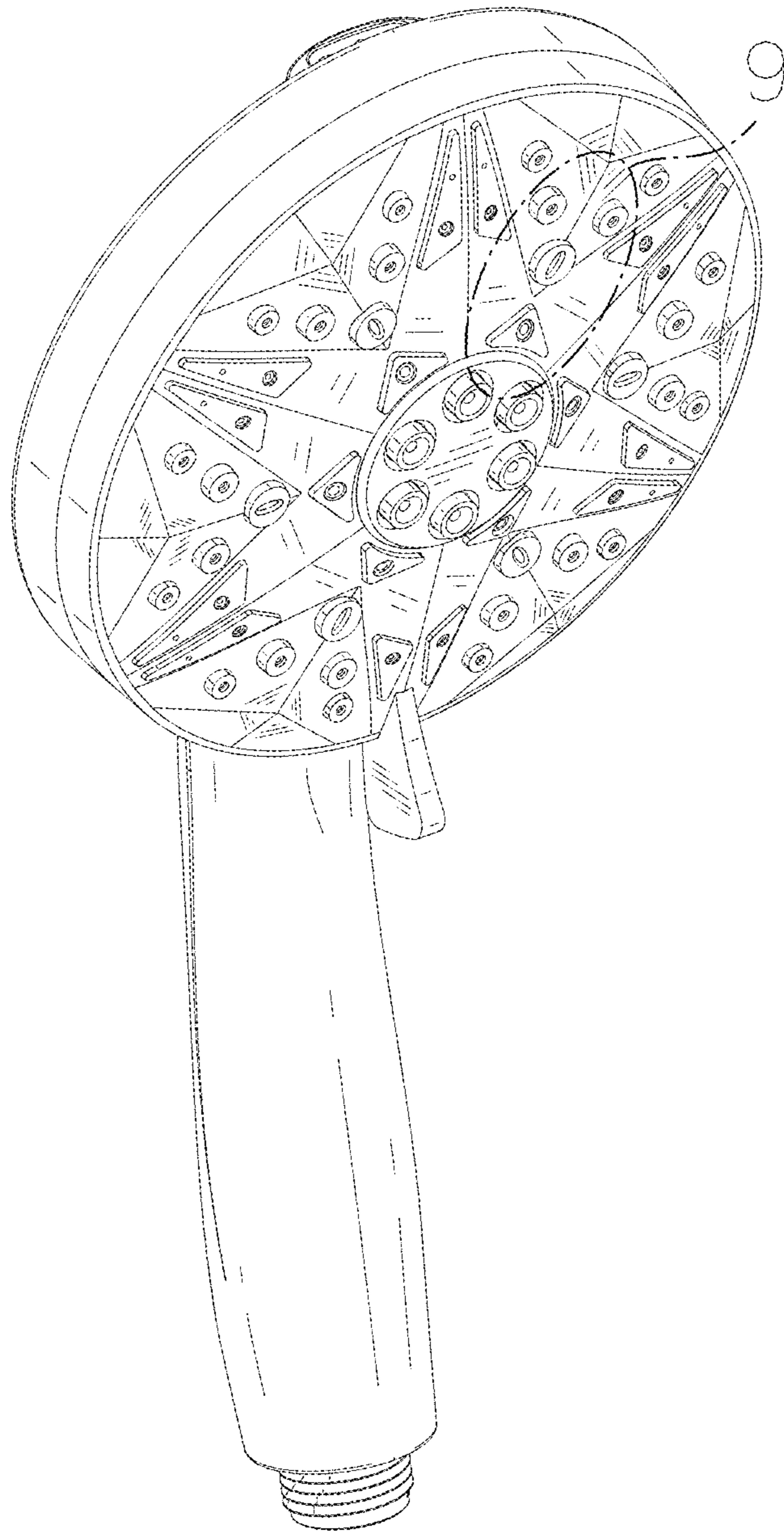


FIG. 1

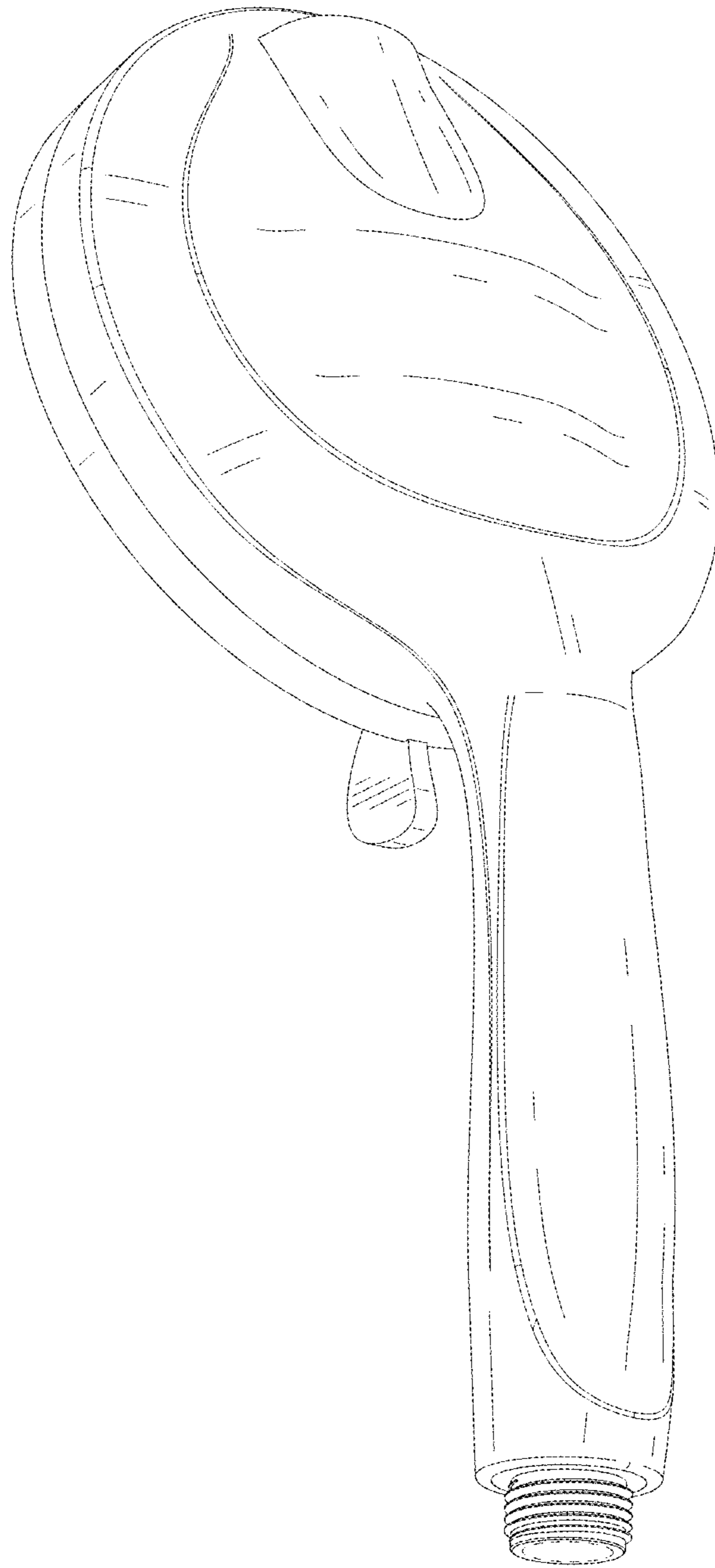


FIG. 2

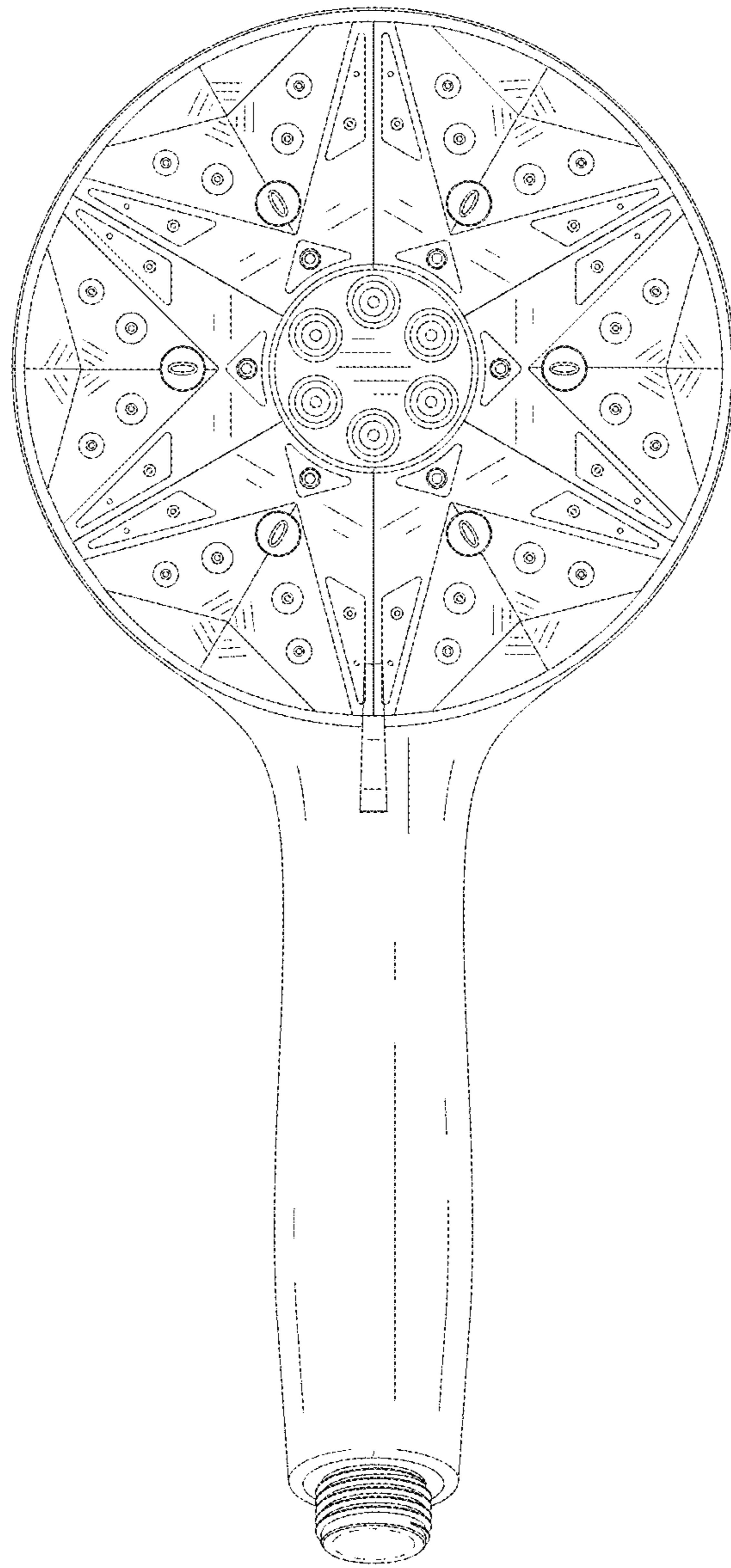


FIG. 3

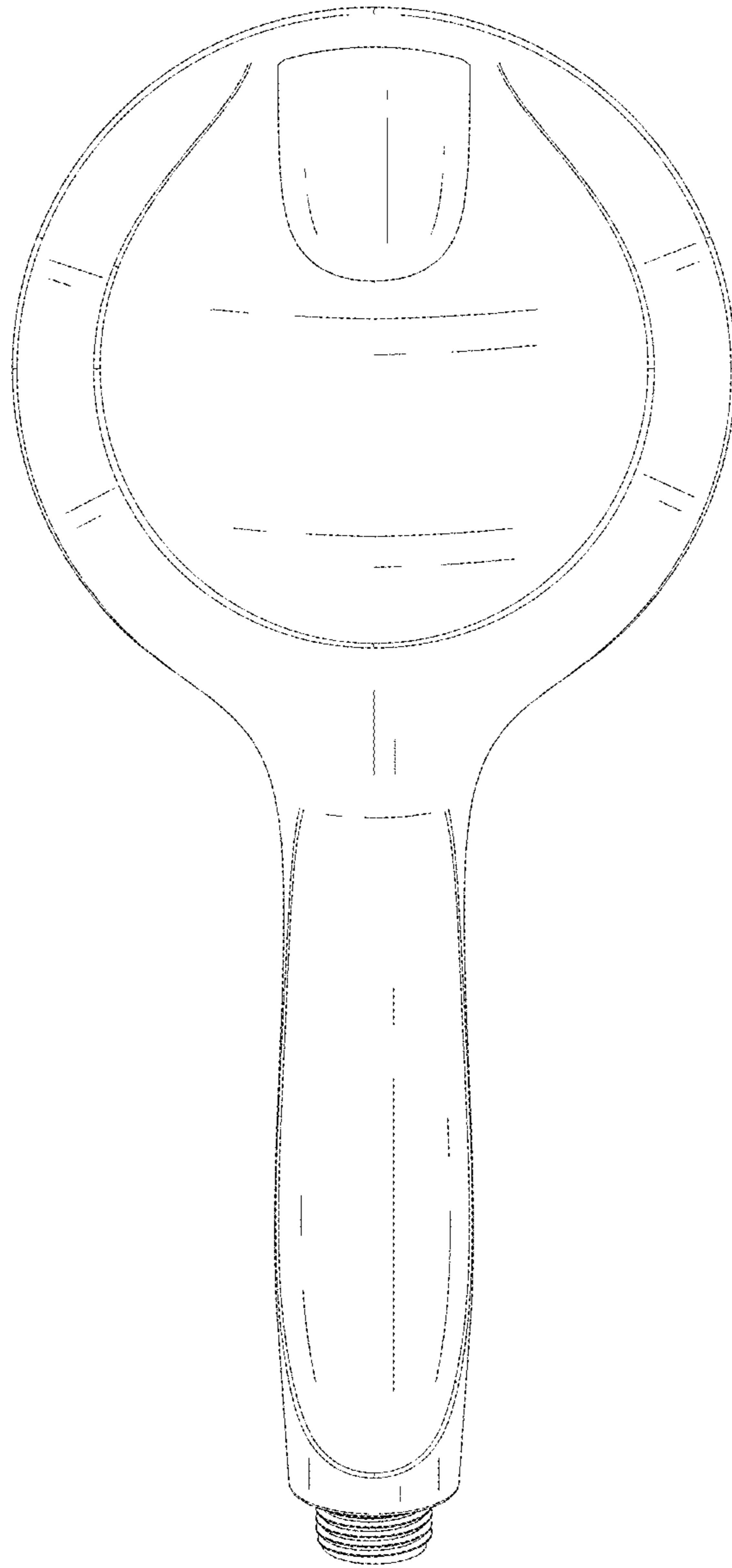


FIG. 4

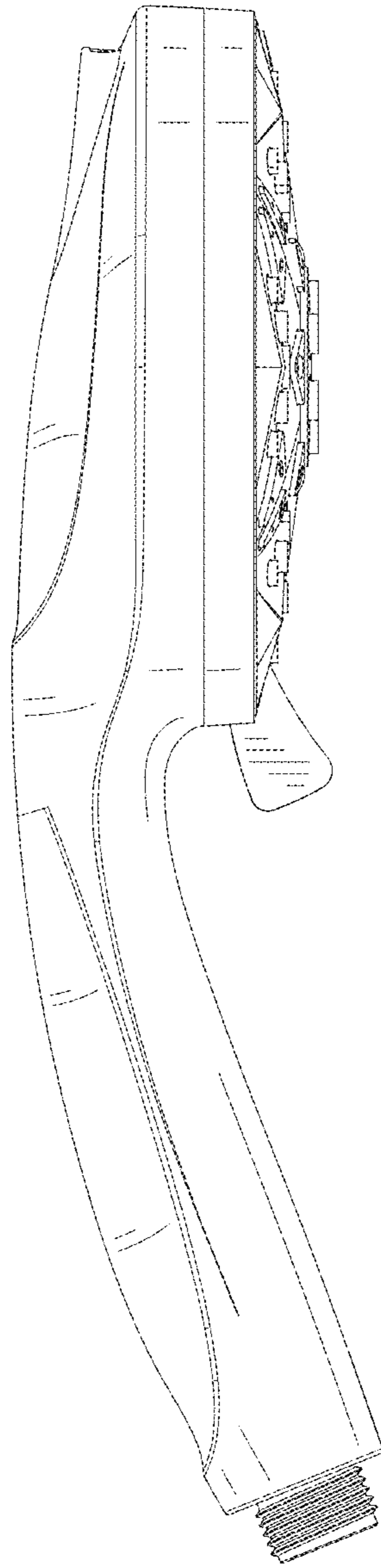


FIG. 5

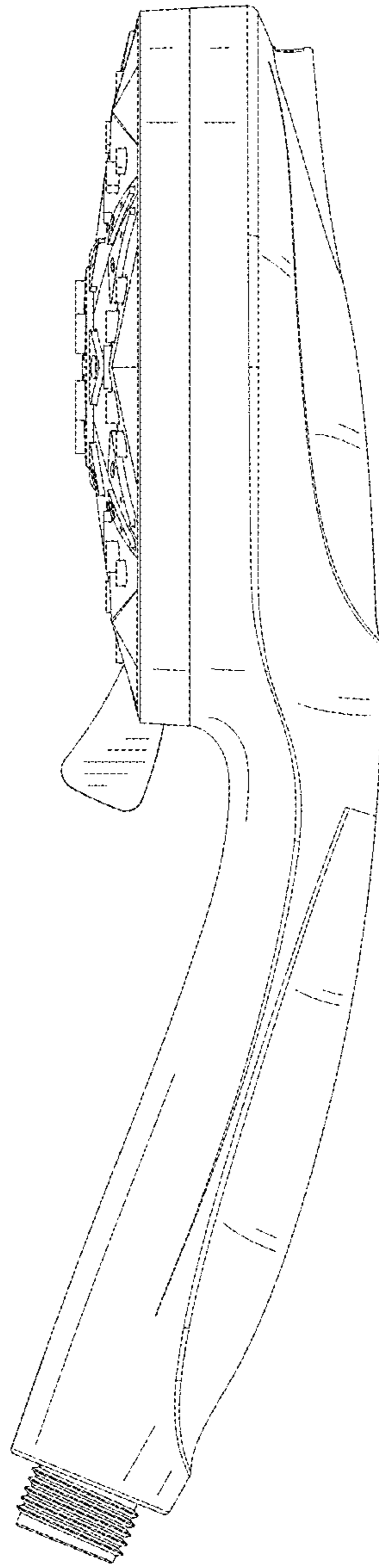


FIG. 6



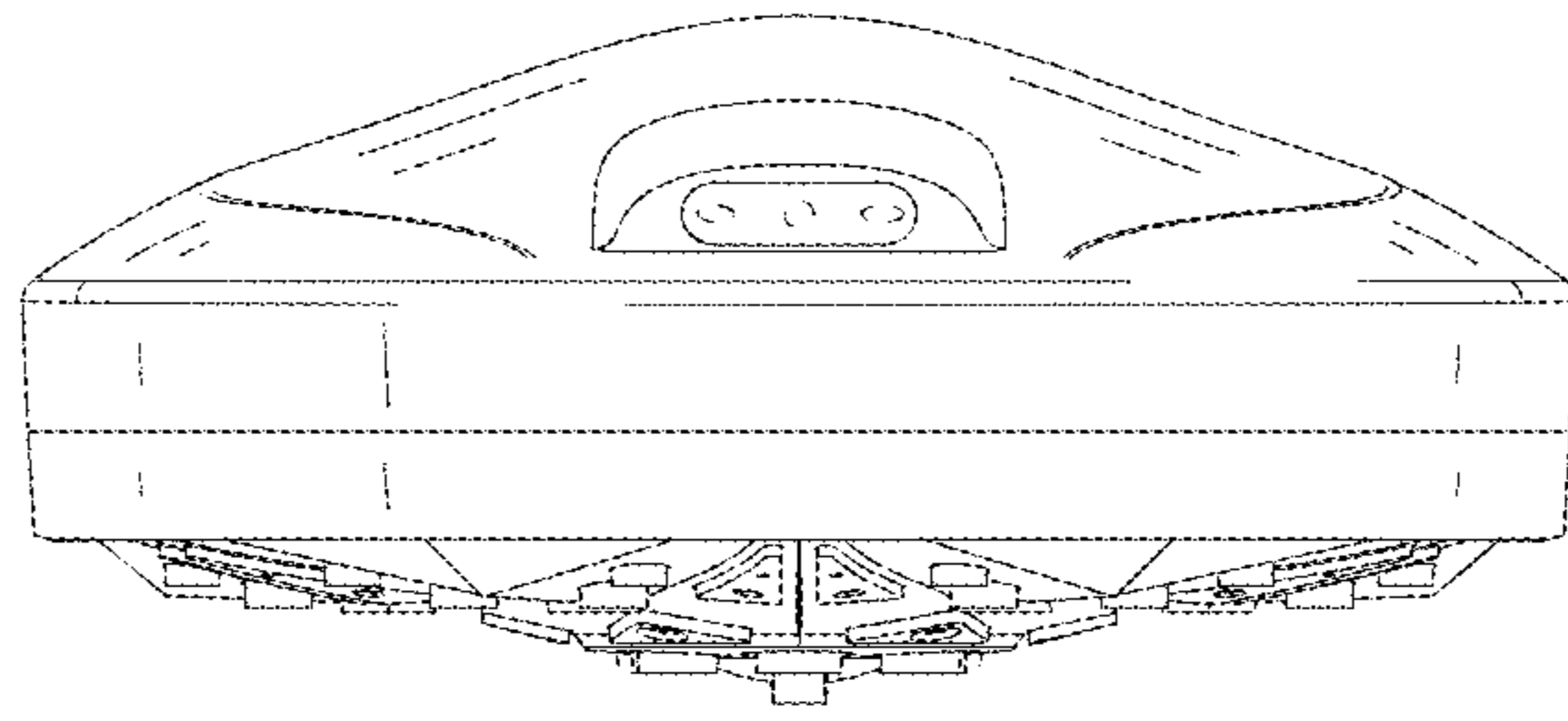


FIG. 7

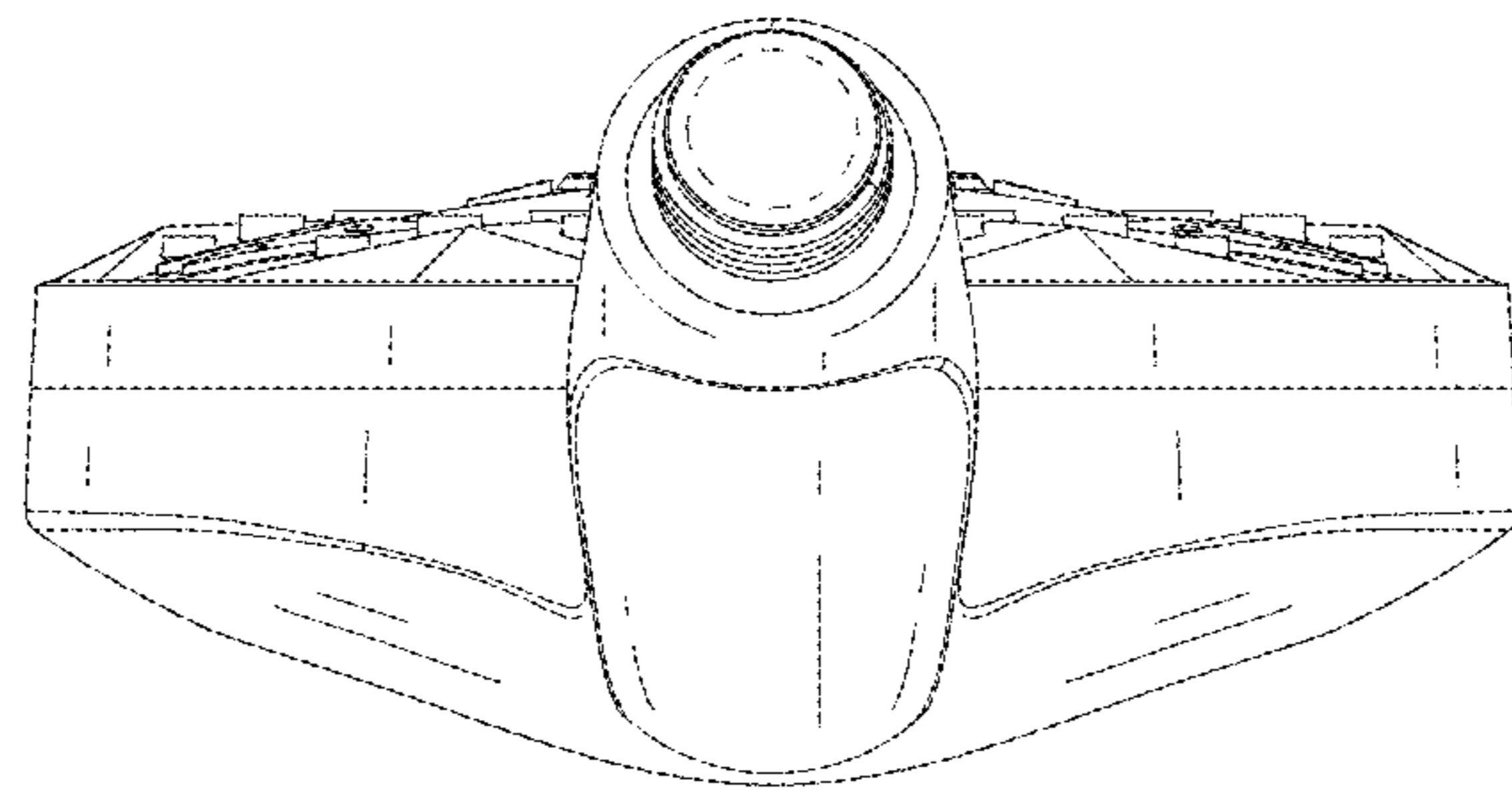


FIG. 8

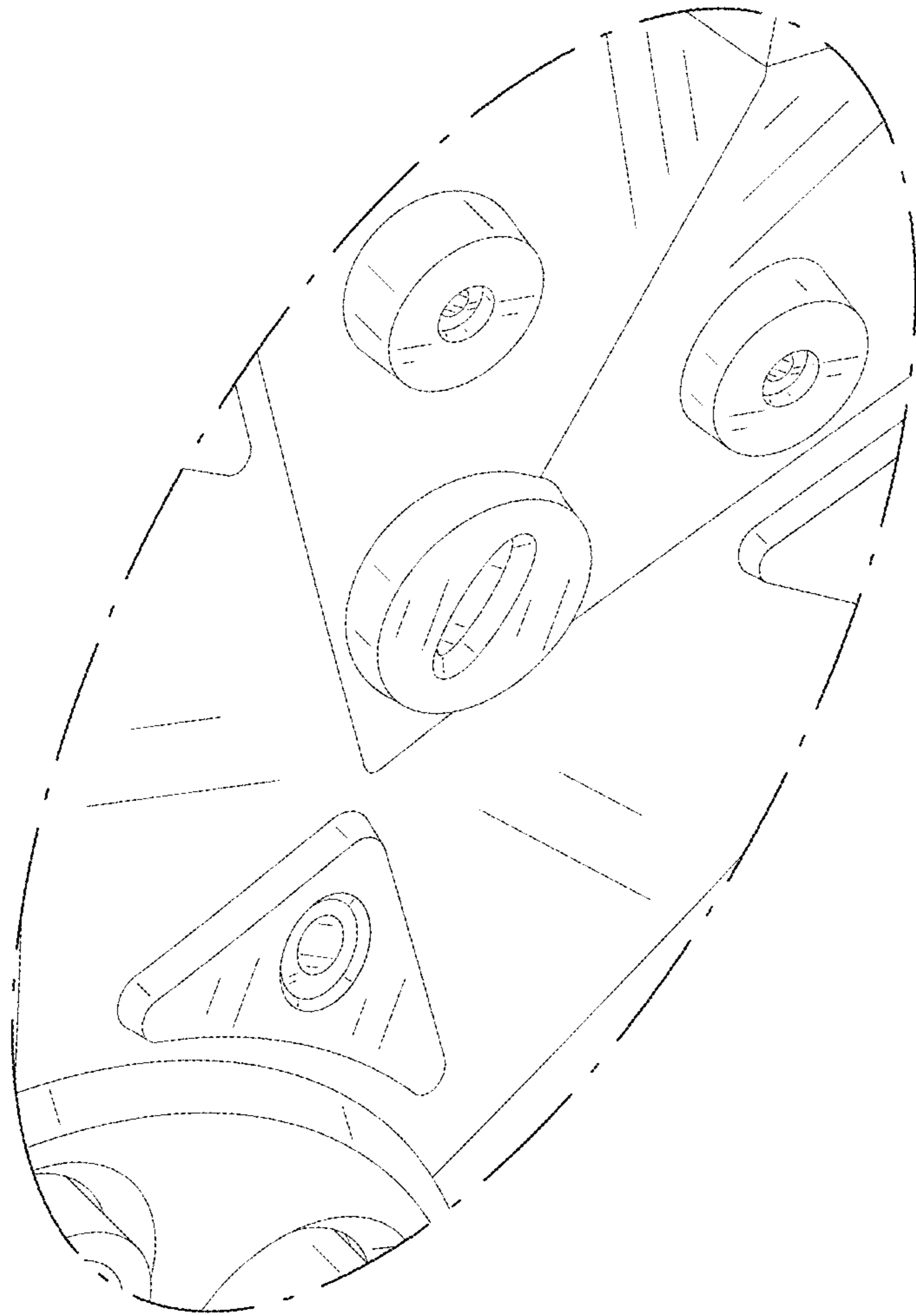


FIG. 9