



US00D970687S

(12) **United States Design Patent**
Yan

(10) **Patent No.:** **US D970,687 S**

(45) **Date of Patent:** **** Nov. 22, 2022**

(54) **SHOWER HEAD**

OTHER PUBLICATIONS

(71) Applicant: **Xiaoling Yan**, Xiamen (CN)

(72) Inventor: **Xiaoling Yan**, Xiamen (CN)

(73) Assignee: **XIAMEN GALENPOO KITCHEN & BATHROOM TECHNOLOGY CO., LTD**, Xiamen (CN)

(**) Term: **15 Years**

(21) Appl. No.: **29/840,077**

(22) Filed: **May 25, 2022**

(51) **LOC (13) Cl.** **23-01**

(52) **U.S. Cl.**
USPC **D23/223**

(58) **Field of Classification Search**
USPC D23/213, 214, 215, 223, 224, 226, 229, 230
D23/230
CPC A61H 9/0021; A61H 33/00; B05B 1/00; B05B 1/14; B05B 1/185; B05B 1/08; B05B 1/02; B05B 1/26; B05B 12/002; B05B 1/18; B05B 9/01
See application file for complete search history.

(56) **References Cited**

U.S. PATENT DOCUMENTS

D349,947 S *	8/1994	Hing-Wah	D23/223
D535,354 S *	1/2007	Wu	D23/223
D578,604 S *	10/2008	Wu	D23/223
D578,606 S *	10/2008	Wu	D23/223
D610,230 S *	2/2010	Wu	D23/223
D619,202 S *	7/2010	Zhang	D23/213
D652,106 S *	1/2012	Yoo	D23/213
D670,358 S *	11/2012	Bai	D23/223
D889,602 S *	7/2020	Wu	D23/223
D944,919 S	3/2022	Yu	

Moen 26100EPSRN Magnetix 3.5-Inch Six-Function, May 20, 2016, amazon.ca, Aug. 5, 2022, URL: <https://www.amazon.ca/Moen-26100EPSRN-Six-Function-Eco-Performance-Handshower/dp/B01DVS3X56/> (Year: 2016).*

Moen 3671EP 5-Function Massaging Handshower, Jun. 17, 2019, amazon.ca, Aug. 5, 2022, URL: https://www.amazon.ca/dp/B07RDMB9KN/ref=sbl_dp_x_ca-home-improvement-bathroom-handheld-showerheads_B01DVS3X56_0?th=1 (Year: 2019).*

Moen 26558SRN Refresh 5 Function Hand Held Shower, Jul. 30, 2015, amazon.ca, Aug. 5, 2022, URL: <https://www.amazon.ca/Moen-26558SRN-Refresh-Handshower-Brushed/dp/B0133D9N30/> (Year: 2015).*

* cited by examiner

Primary Examiner — Keith J Wilson

(74) *Attorney, Agent, or Firm* — Justin Lampel

(57) **CLAIM**

The ornamental design for a shower head, as shown and described.

DESCRIPTION

FIG. 1 is a perspective view of a shower head showing the claimed design;

FIG. 2 is another perspective view thereof;

FIG. 3 is a front elevational view thereof;

FIG. 4 is a rear elevational view thereof;

FIG. 5 is a left side view thereof;

FIG. 6 is a right side view thereof;

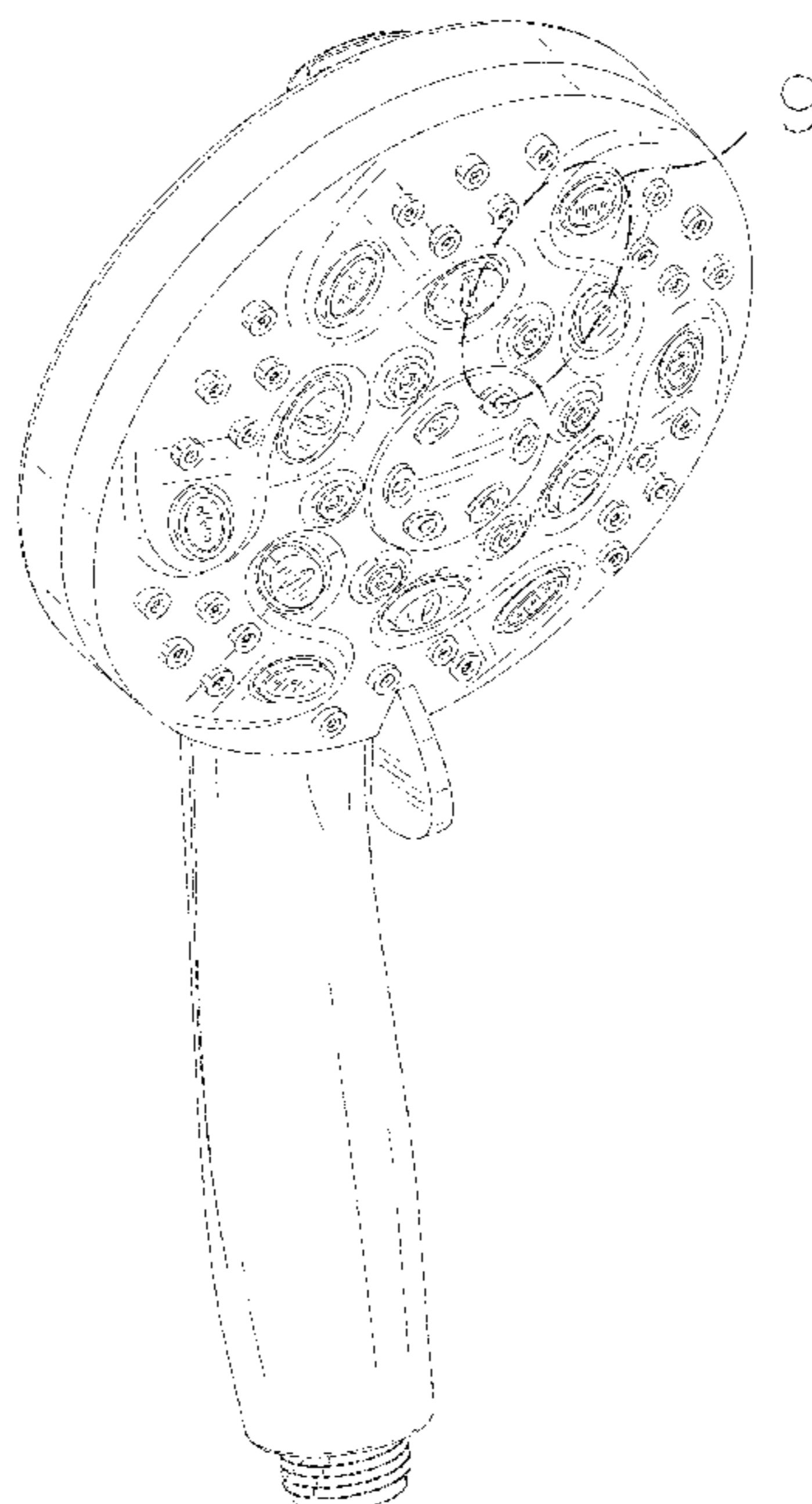
FIG. 7 is a top plan view thereof;

FIG. 8 is a bottom plan view thereof; and,

FIG. 9 is a detail enlarged view of FIG. 1 thereof.

The broken lines illustrate portions of the shower head that form no part of the claimed design.

1 Claim, 9 Drawing Sheets



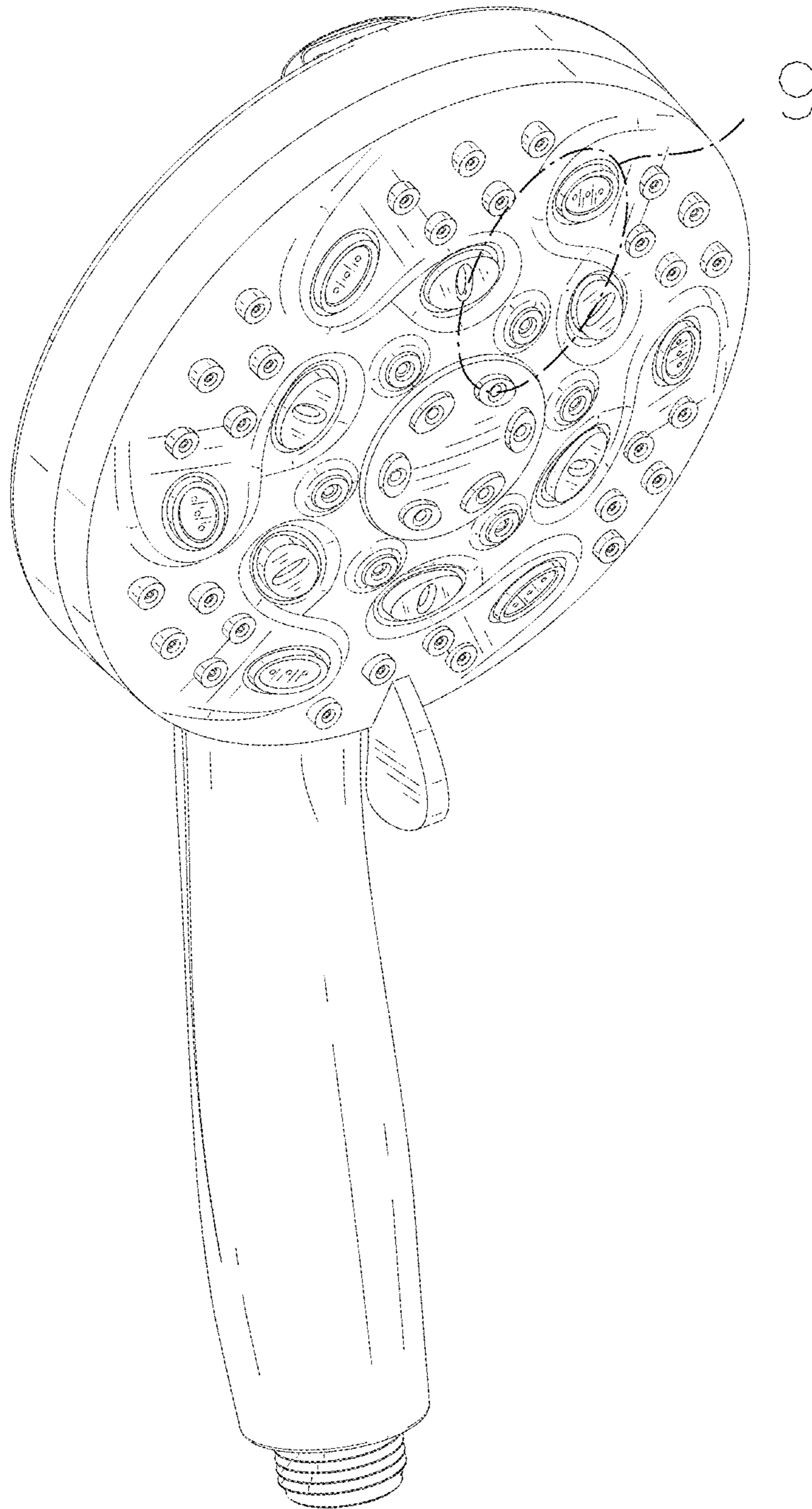


FIG. 1

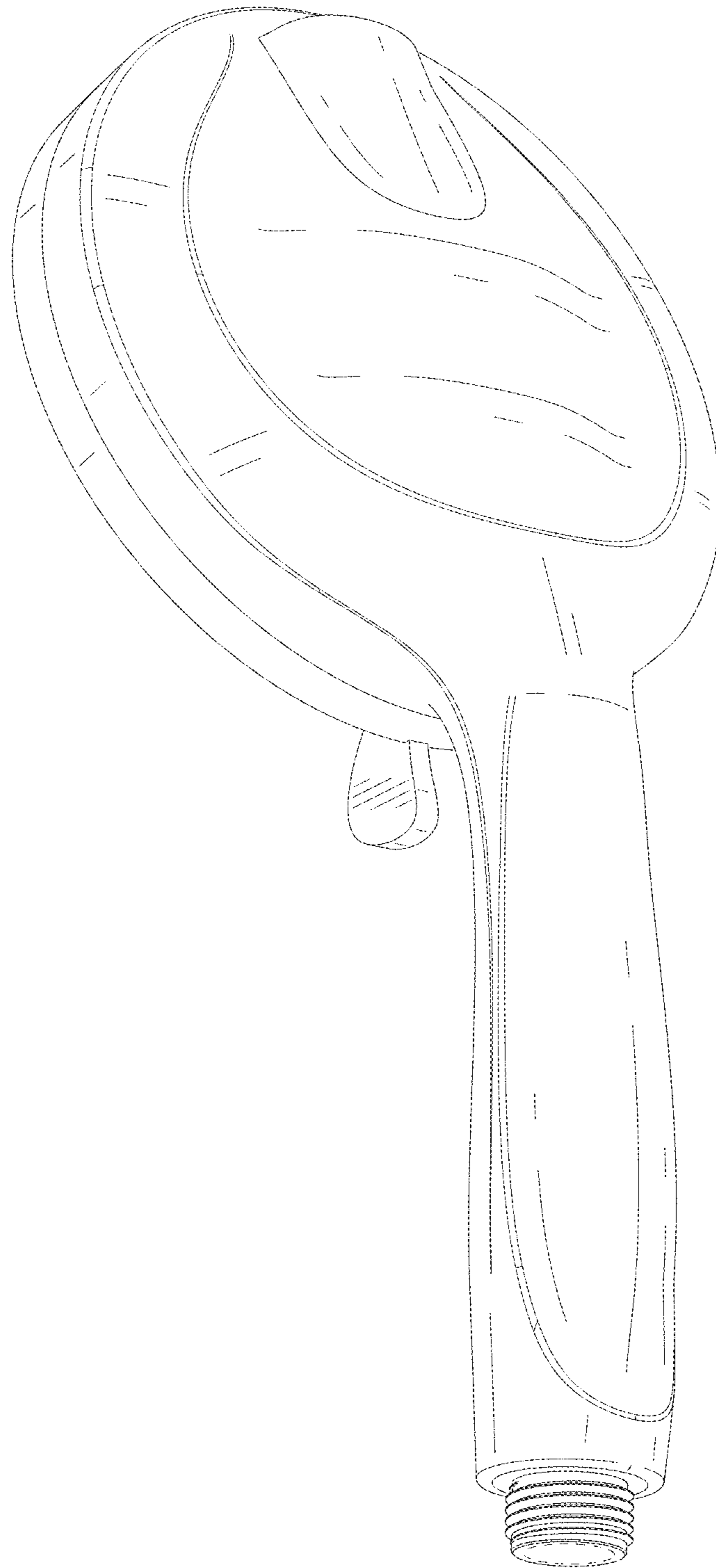


FIG. 2

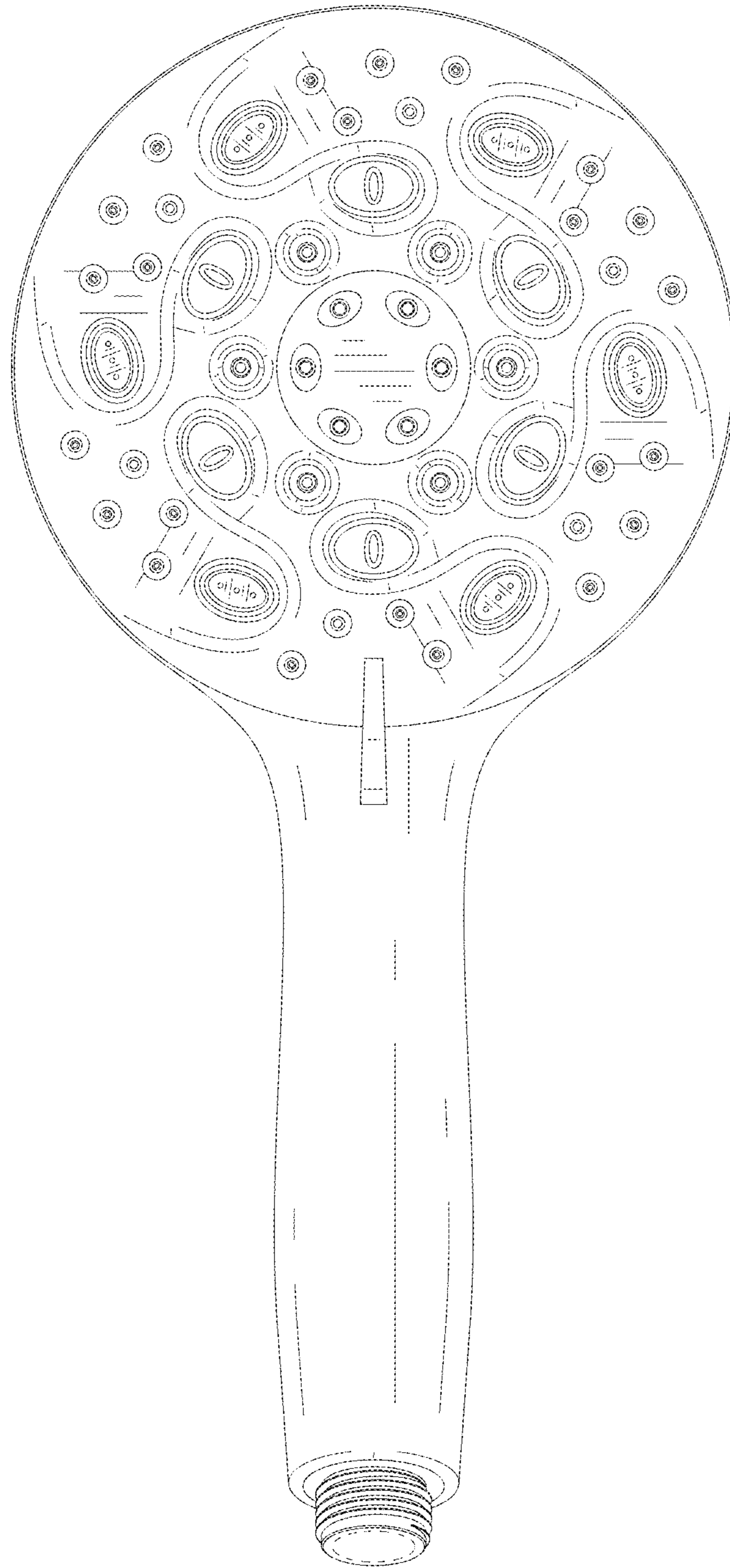


FIG. 3

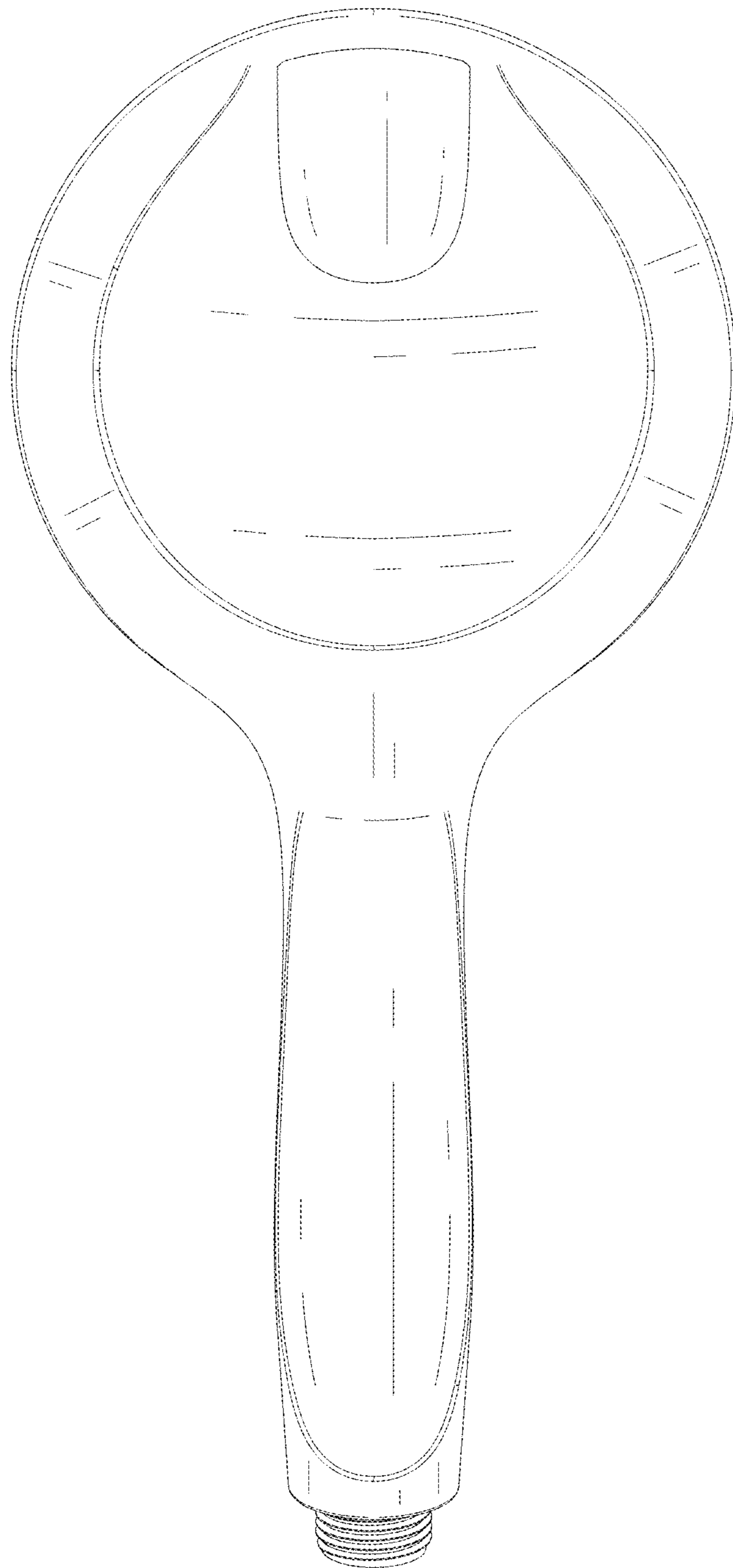


FIG. 4

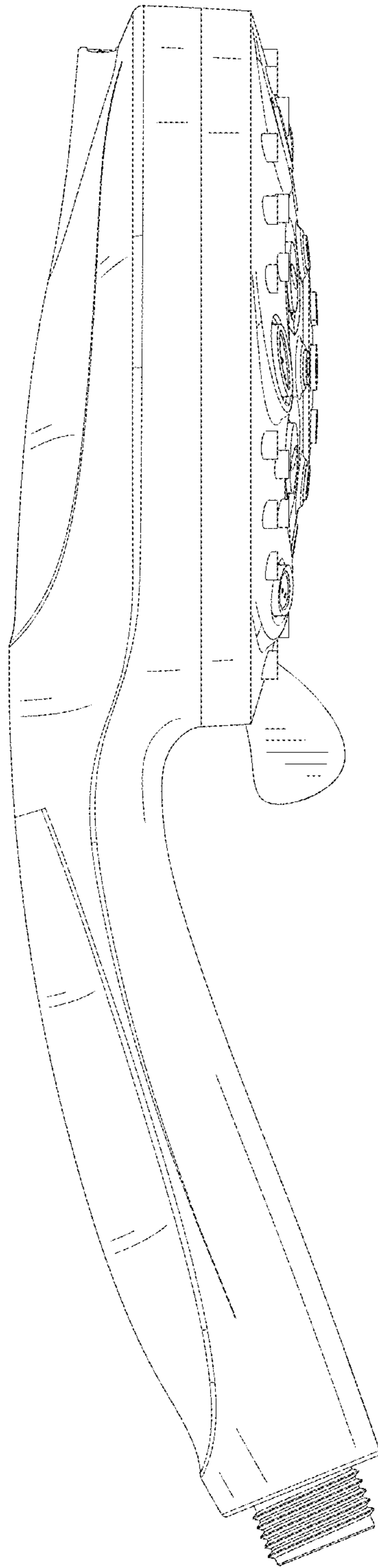


FIG. 5

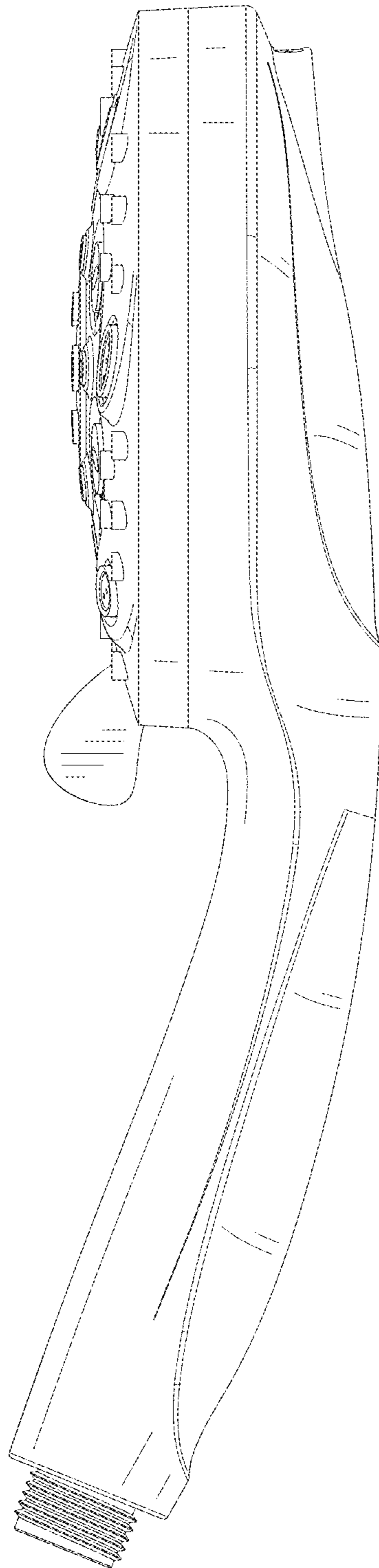


FIG. 6

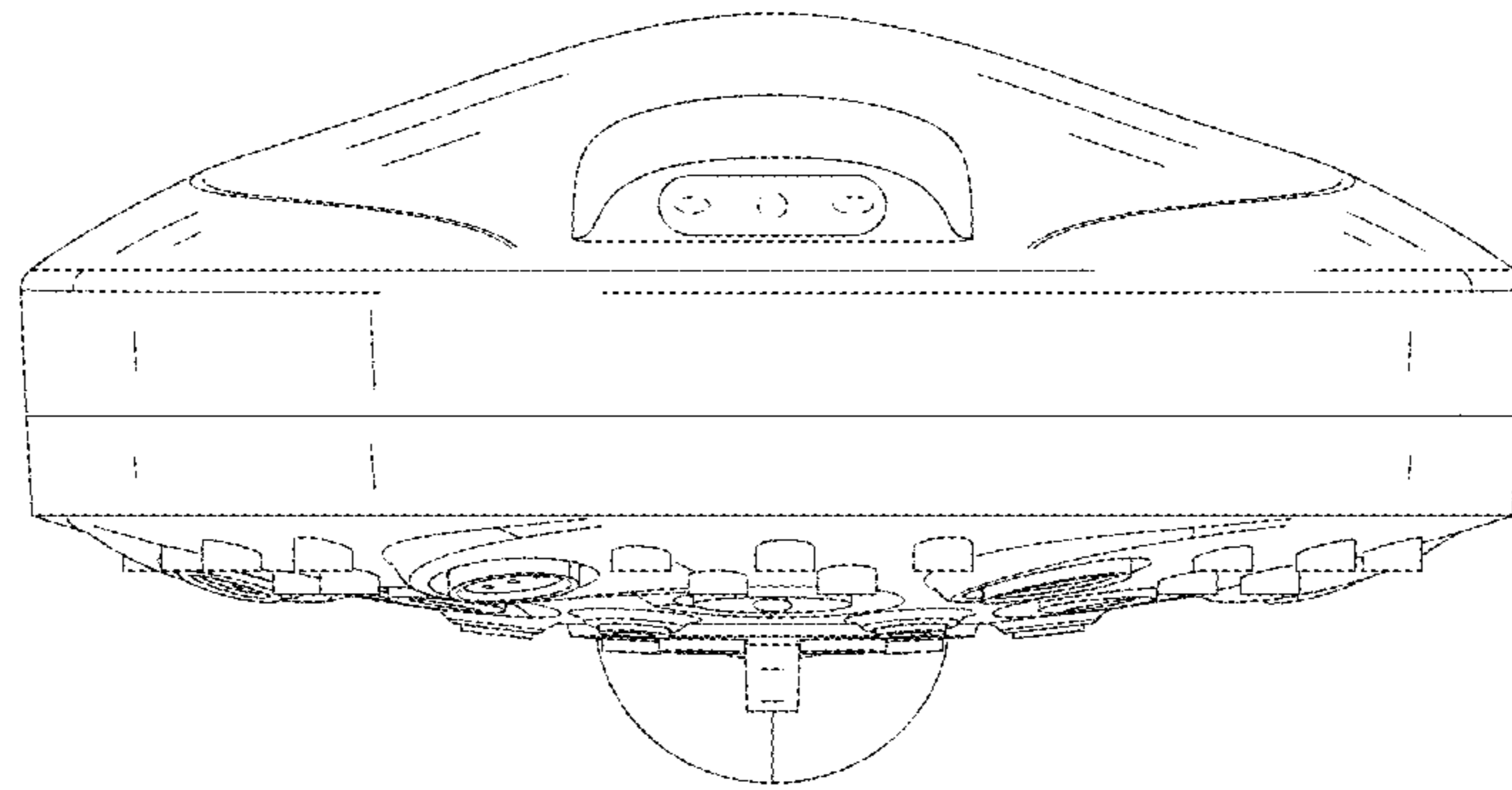


FIG. 7

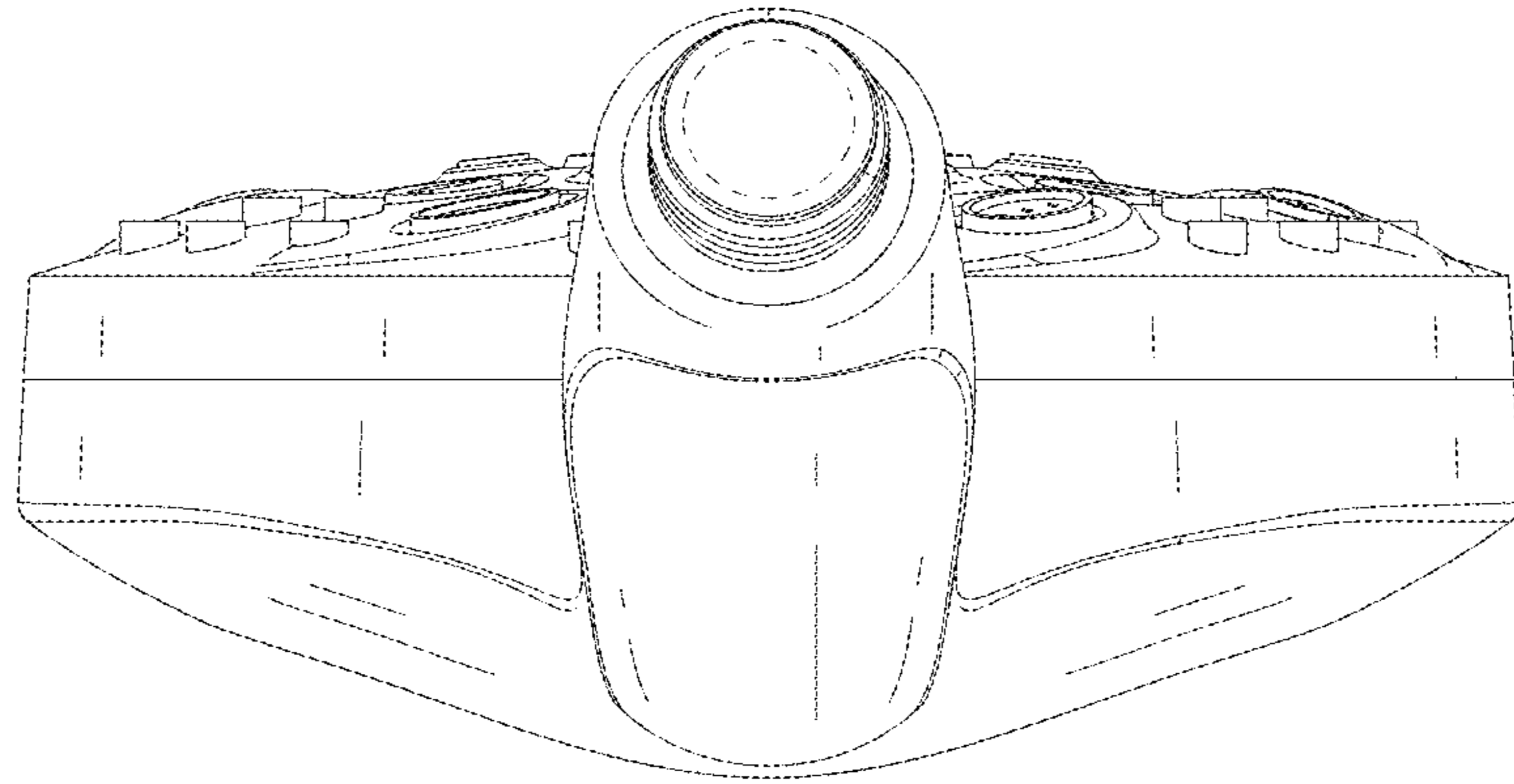


FIG. 8

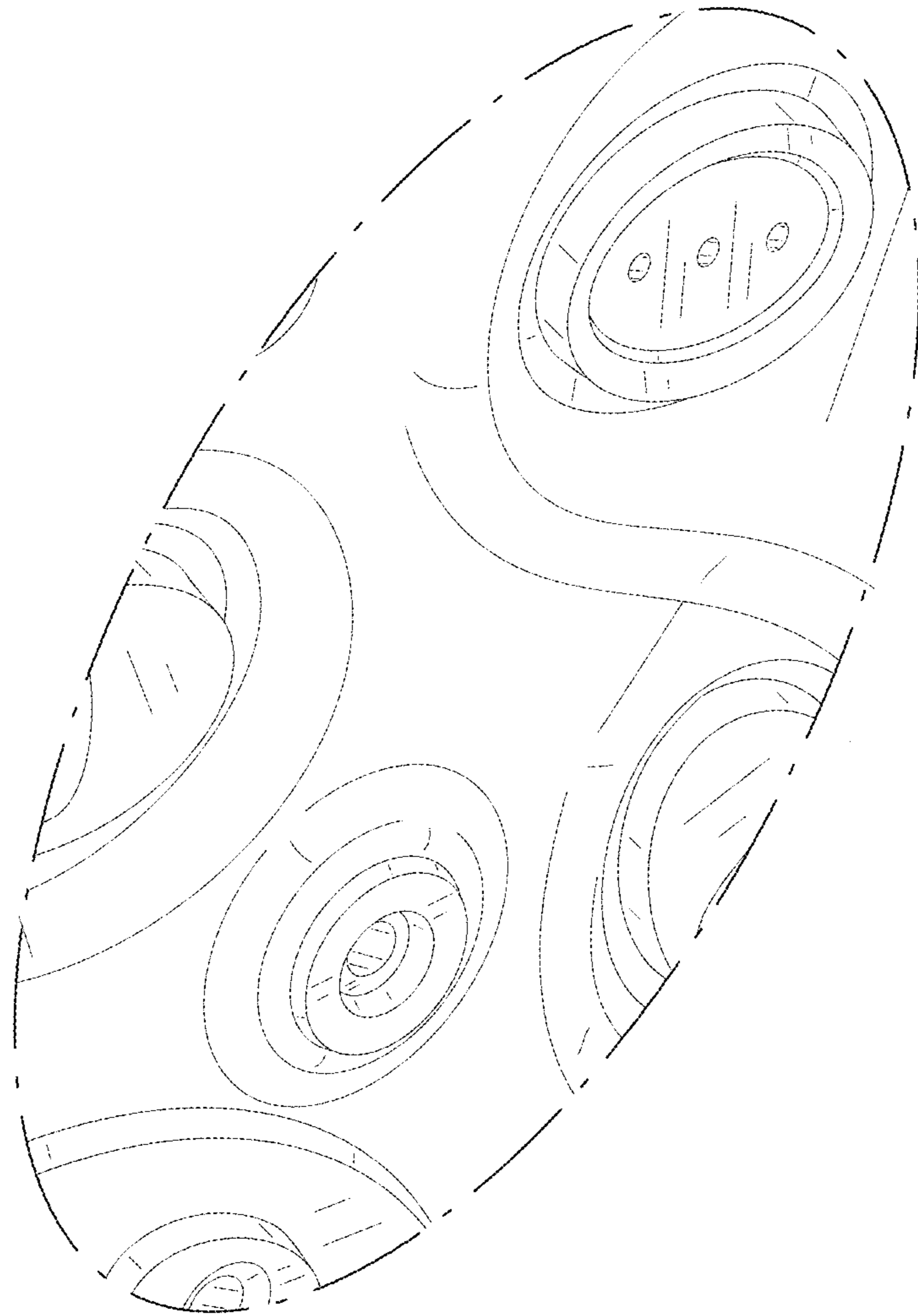


FIG. 9