



US00D970686S

(12) **United States Design Patent**
Yan

(10) **Patent No.:** **US D970,686 S**

(45) **Date of Patent:** **** Nov. 22, 2022**

(54) **SHOWER HEAD**

D914,134 S * 3/2021 Eads D23/213
D927,639 S 8/2021 Zhang
D932,591 S * 10/2021 Thun D23/223

(71) Applicant: **Xiaoling Yan**, Xiamen (CN)

(72) Inventor: **Xiaoling Yan**, Xiamen (CN)

(73) Assignee: **XIAMEN GALENPOO KITCHEN & BATHROOM TECHNOLOGY CO., LTD**, Xiamen (CN)

(**) Term: **15 Years**

(21) Appl. No.: **29/838,876**

(22) Filed: **May 16, 2022**

(51) **LOC (13) Cl.** **23-01**

(52) **U.S. Cl.**
USPC **D23/223**

(58) **Field of Classification Search**
USPC D23/213, 214, 215, 223, 224, 226, 229, 230
CPC A61H 9/0021; A61H 33/00; B05B 1/00; B05B 1/14; B05B 1/185; B05B 1/08; B05B 1/02; B05B 1/26; B05B 12/002; B05B 1/18; B05B 9/01
See application file for complete search history.

(56) **References Cited**

U.S. PATENT DOCUMENTS

D313,267 S	*	12/1990	Lenci	D23/213
D357,972 S	*	5/1995	Huen	D23/223
D668,320 S	*	10/2012	Weihreter	D23/223
D674,046 S	*	1/2013	Berger	D23/223
D723,137 S	*	2/2015	Nikles	D23/223
D761,935 S	*	7/2016	McCutcheon	D23/213
D810,233 S	*	2/2018	Winter	D23/228
D832,398 S	*	10/2018	Lin	D23/223
D901,628 S	*	11/2020	Wu	D23/213
D901,629 S	*	11/2020	Wu	D23/213

OTHER PUBLICATIONS

Delta In2ition® 2-in-1 Square Chrome Handshower, Aug. 8, 2016, bedbathandbeyond.com, Aug. 8, 2022, URL: <https://www.bedbathandbeyond.com/store/product/delta-in2ition-reg-2-in-1-square-chrome-handshower/1041276907> (Year: 2016).*

Delta Faucet 58066-SS In2ition 5-Setting Two-in-One Shower, Jul. 11, 2017, amazon.ca, Aug. 8, 2022, URL: https://www.amazon.ca/dp/B01G2HD8EO/ref=sbl_dp_ca-home-improvement-bathroom-handheld-showerheads_B07T3Q8P5X_0?th=1 (Year: 2017).*

* cited by examiner

Primary Examiner — Keith J Wilson

(74) *Attorney, Agent, or Firm* — Justin Lampel

(57) **CLAIM**

The ornamental design for a shower head, as shown and described.

DESCRIPTION

FIG. 1 is a perspective view of a shower head showing the claimed design;

FIG. 2 is another perspective view thereof;

FIG. 3 is a front elevational view thereof;

FIG. 4 is a rear elevational view thereof;

FIG. 5 is a left side view thereof;

FIG. 6 is a right side view thereof;

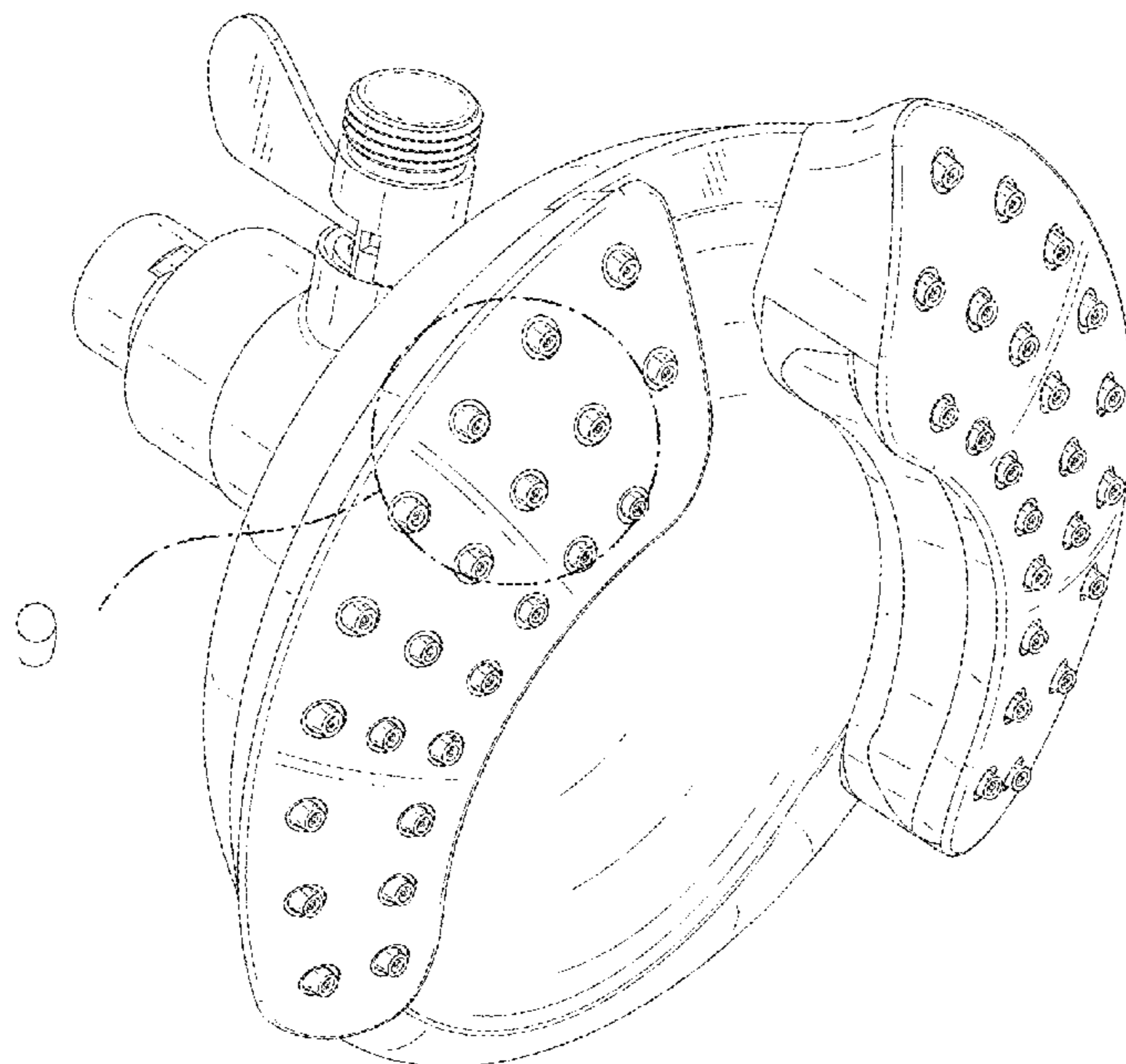
FIG. 7 is a top plan view thereof;

FIG. 8 is a bottom plan view thereof; and,

FIG. 9 is an enlarged view of detail shown in FIG. 1.

The broken lines illustrate portions of the shower head that form no part of the claimed design.

1 Claim, 9 Drawing Sheets



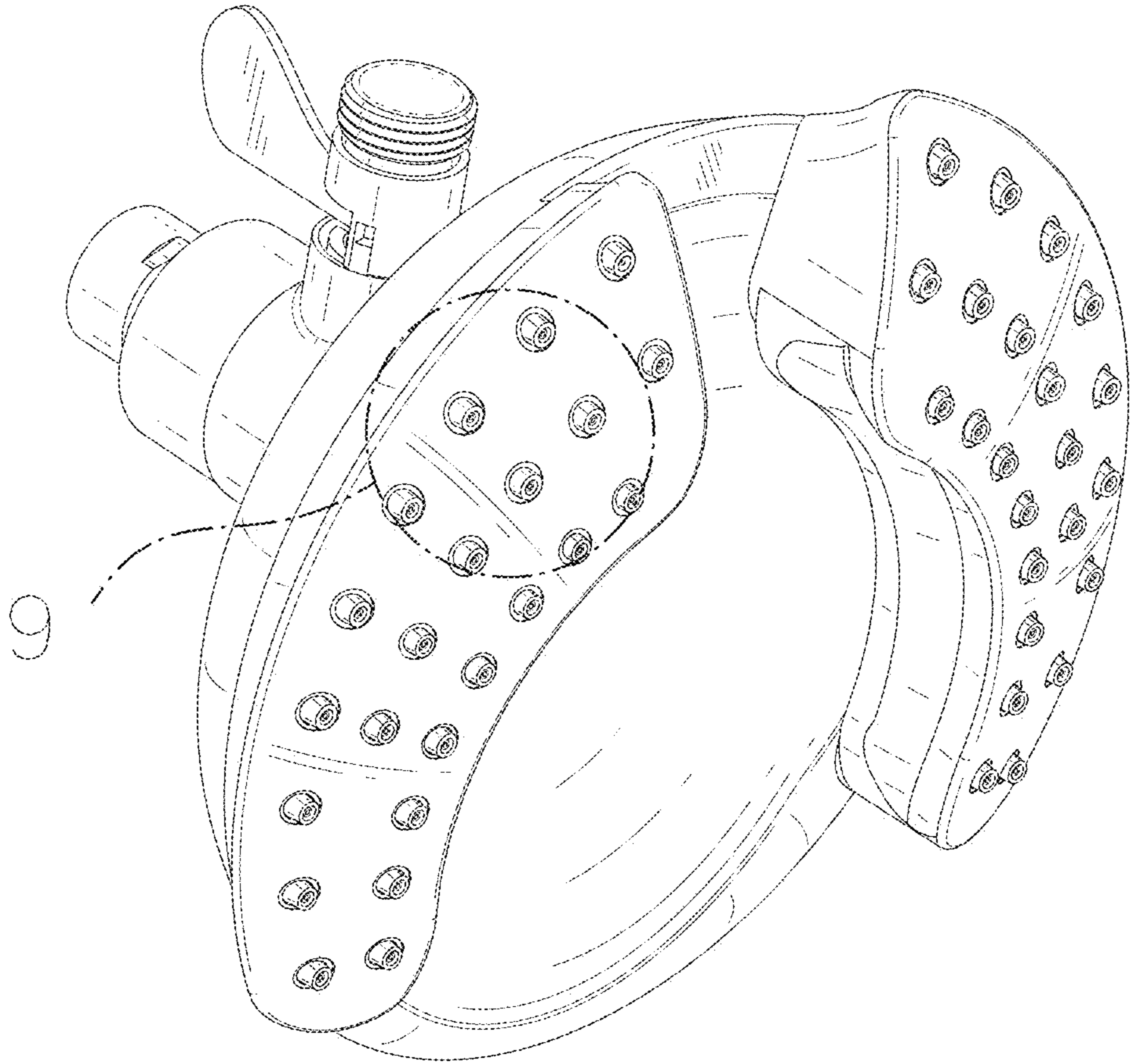


FIG. 1

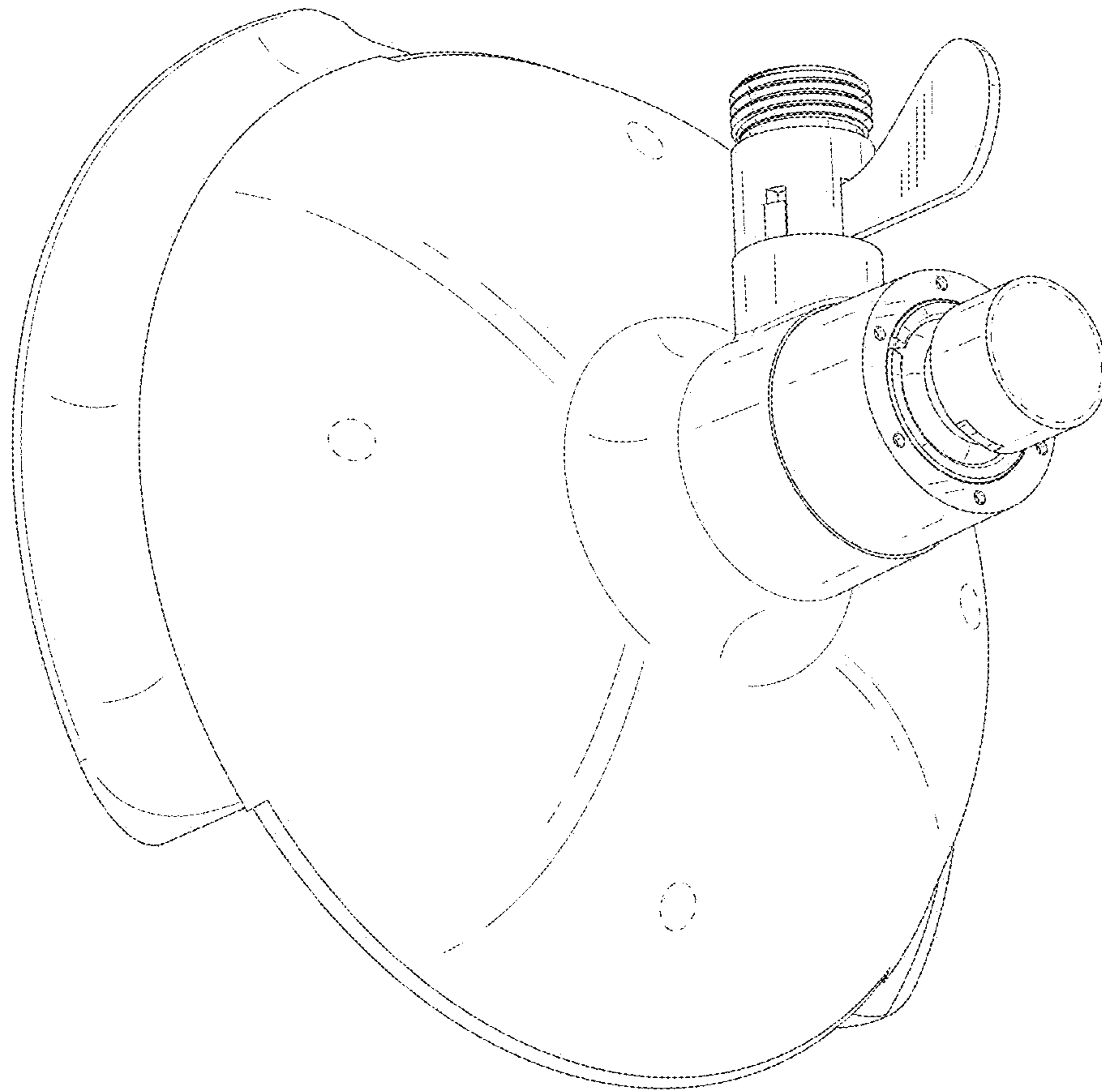


FIG. 2

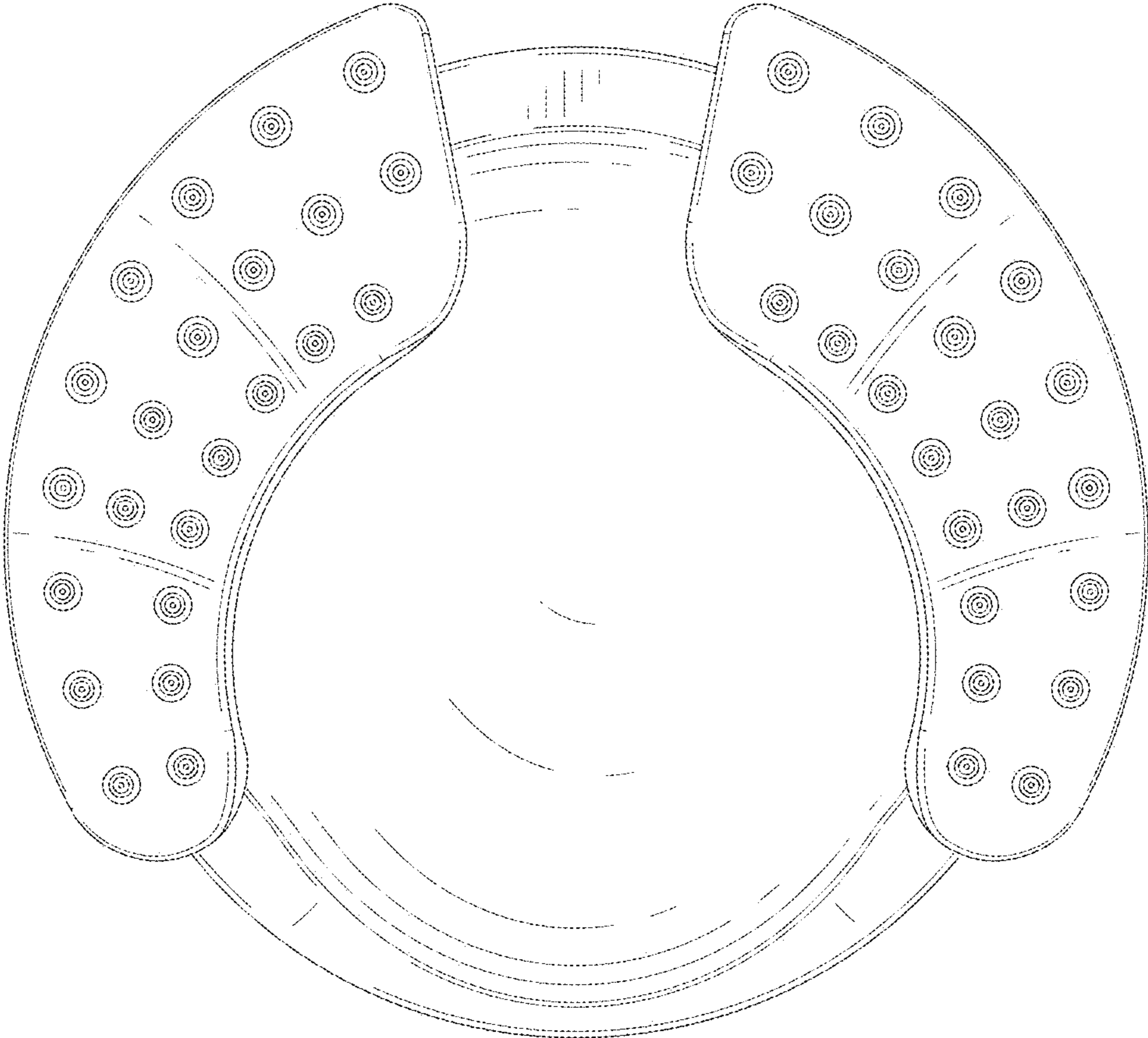


FIG. 3

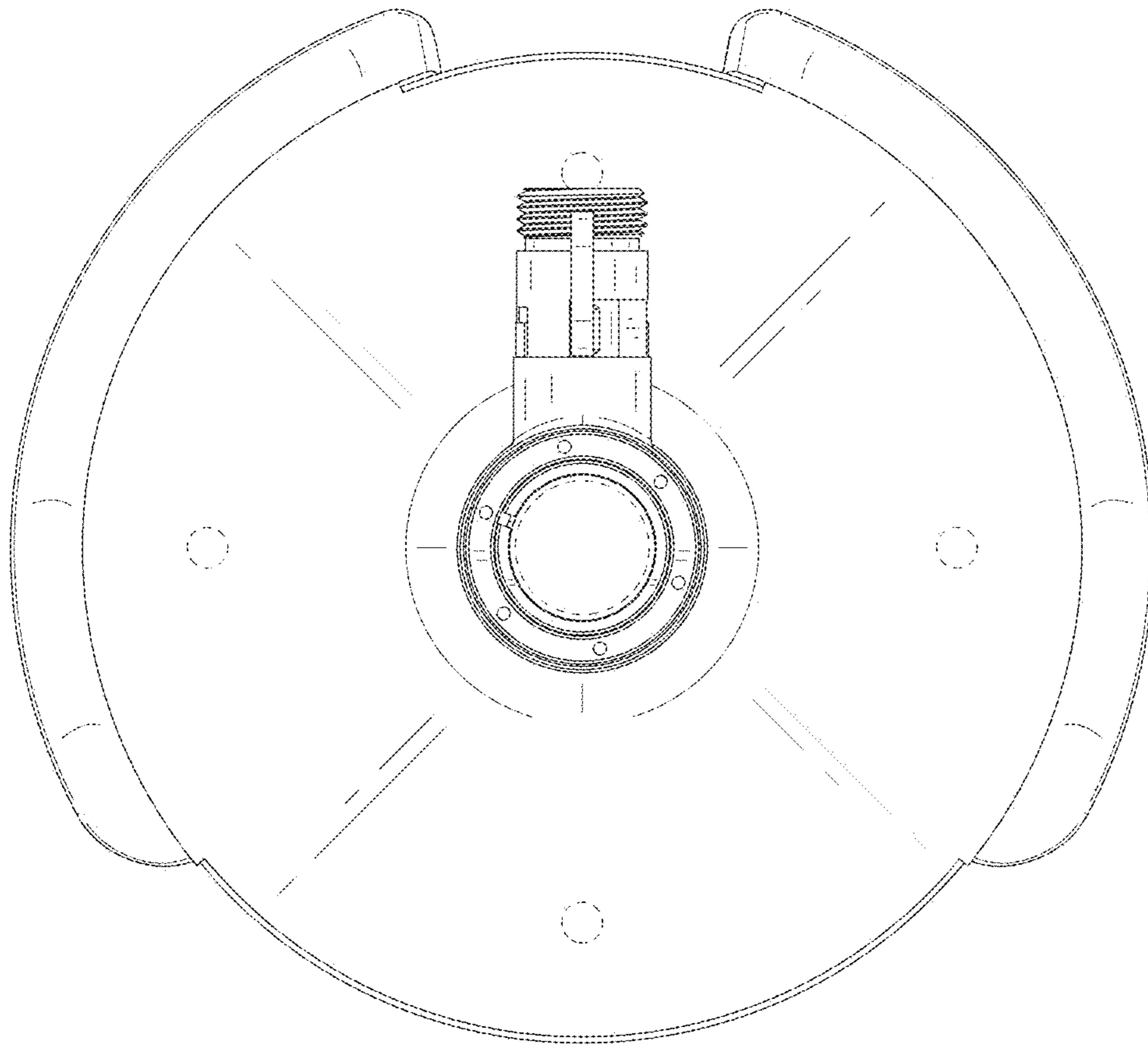


FIG. 4

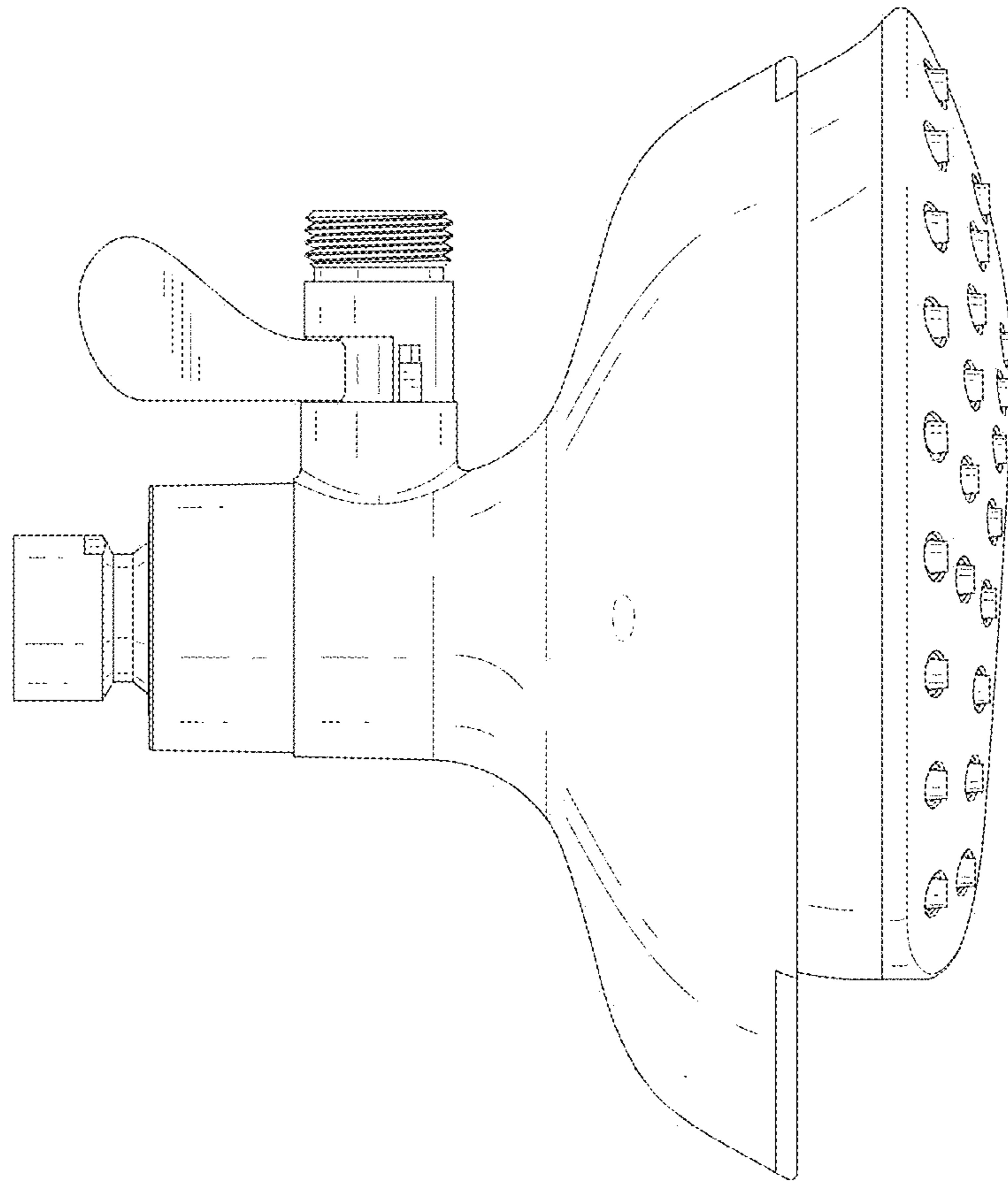


FIG. 5

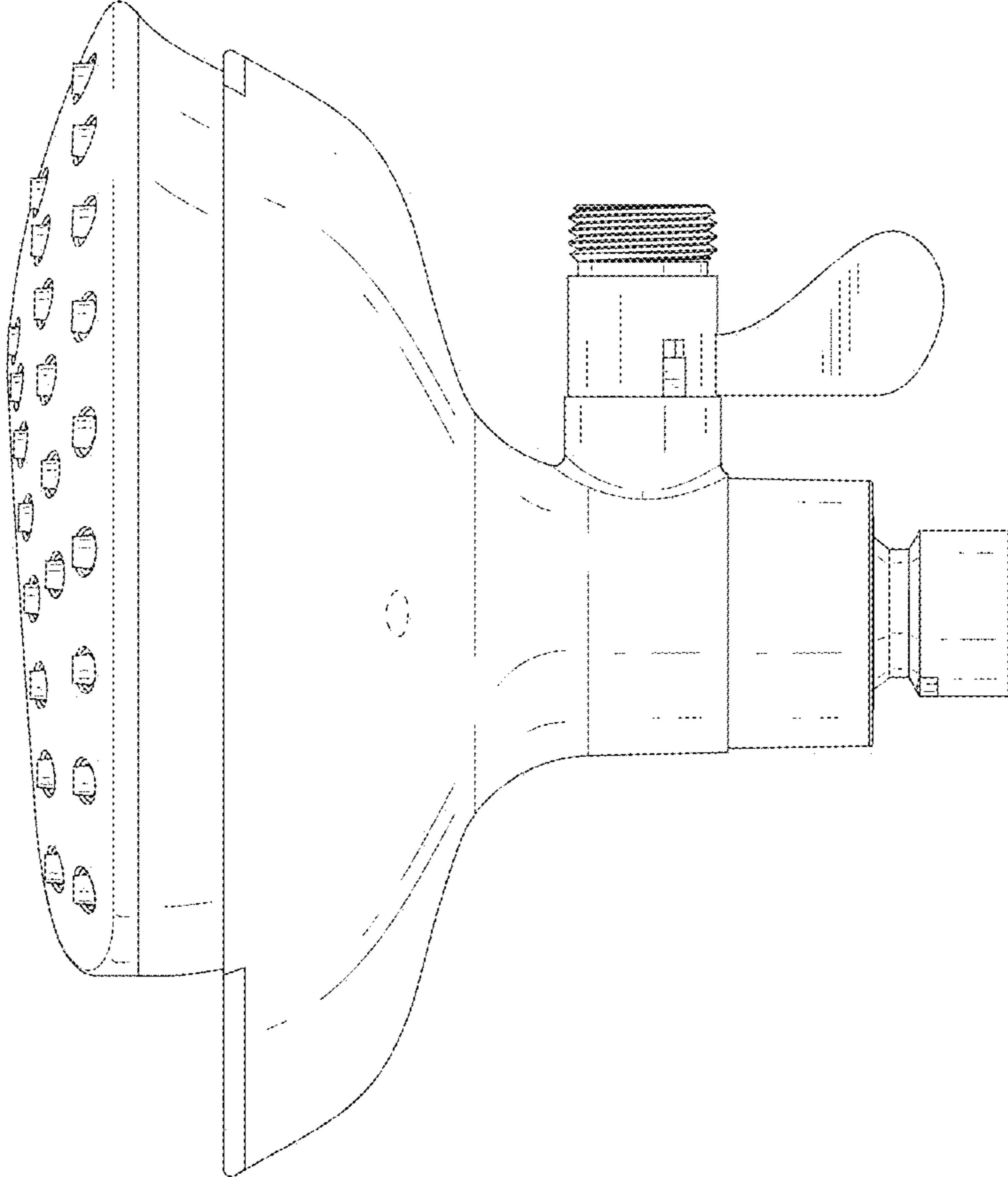


FIG. 6

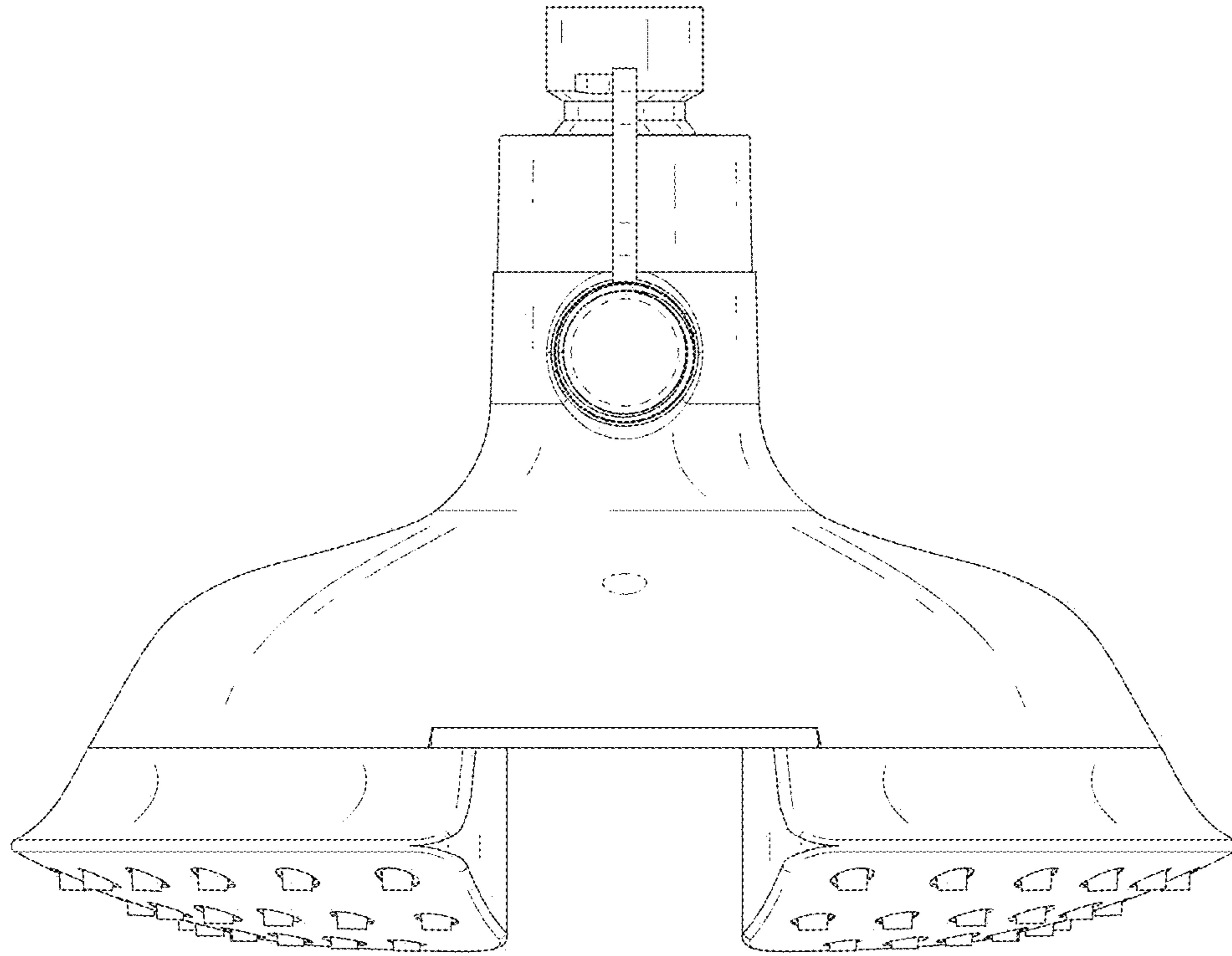


FIG. 7

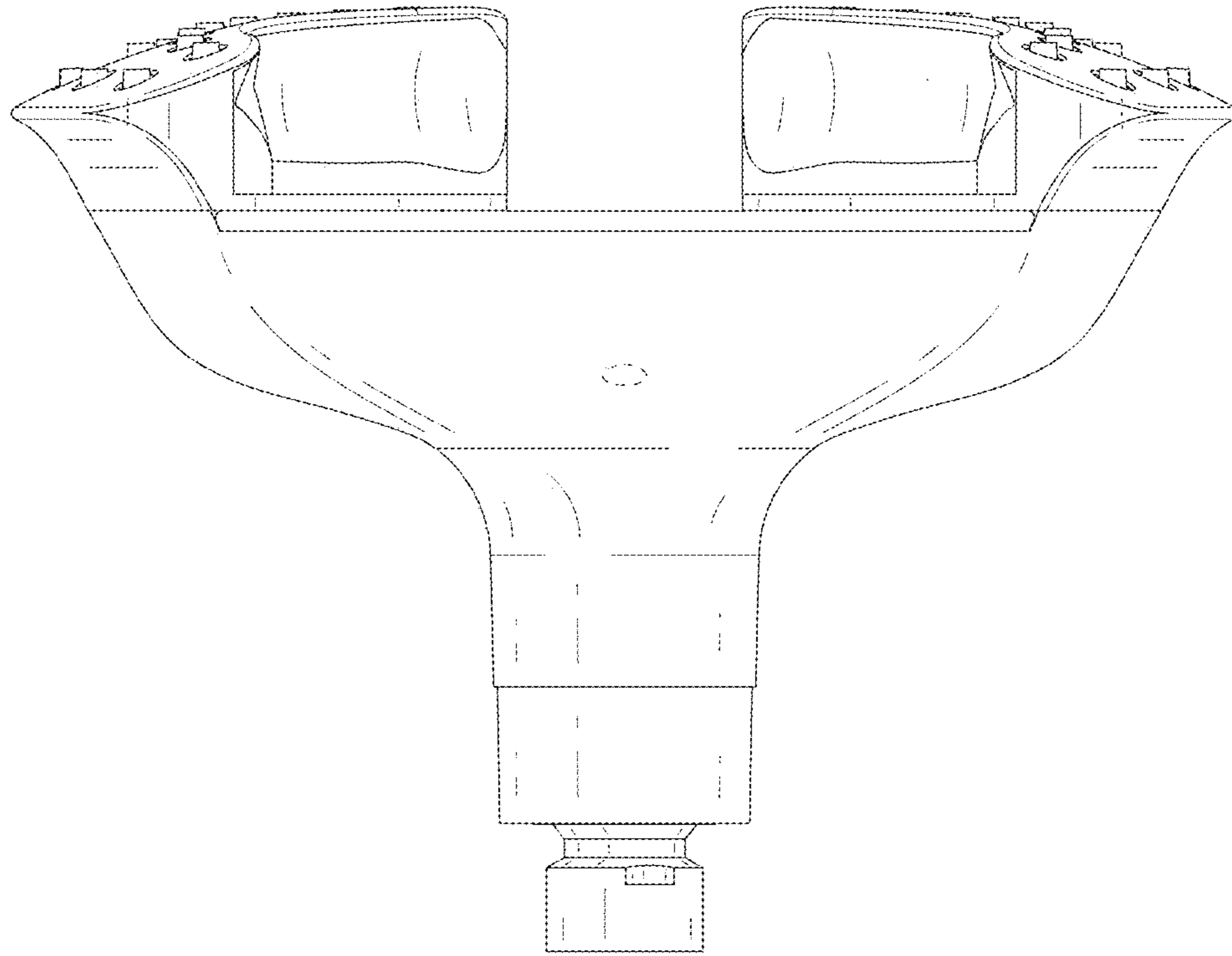


FIG. 8

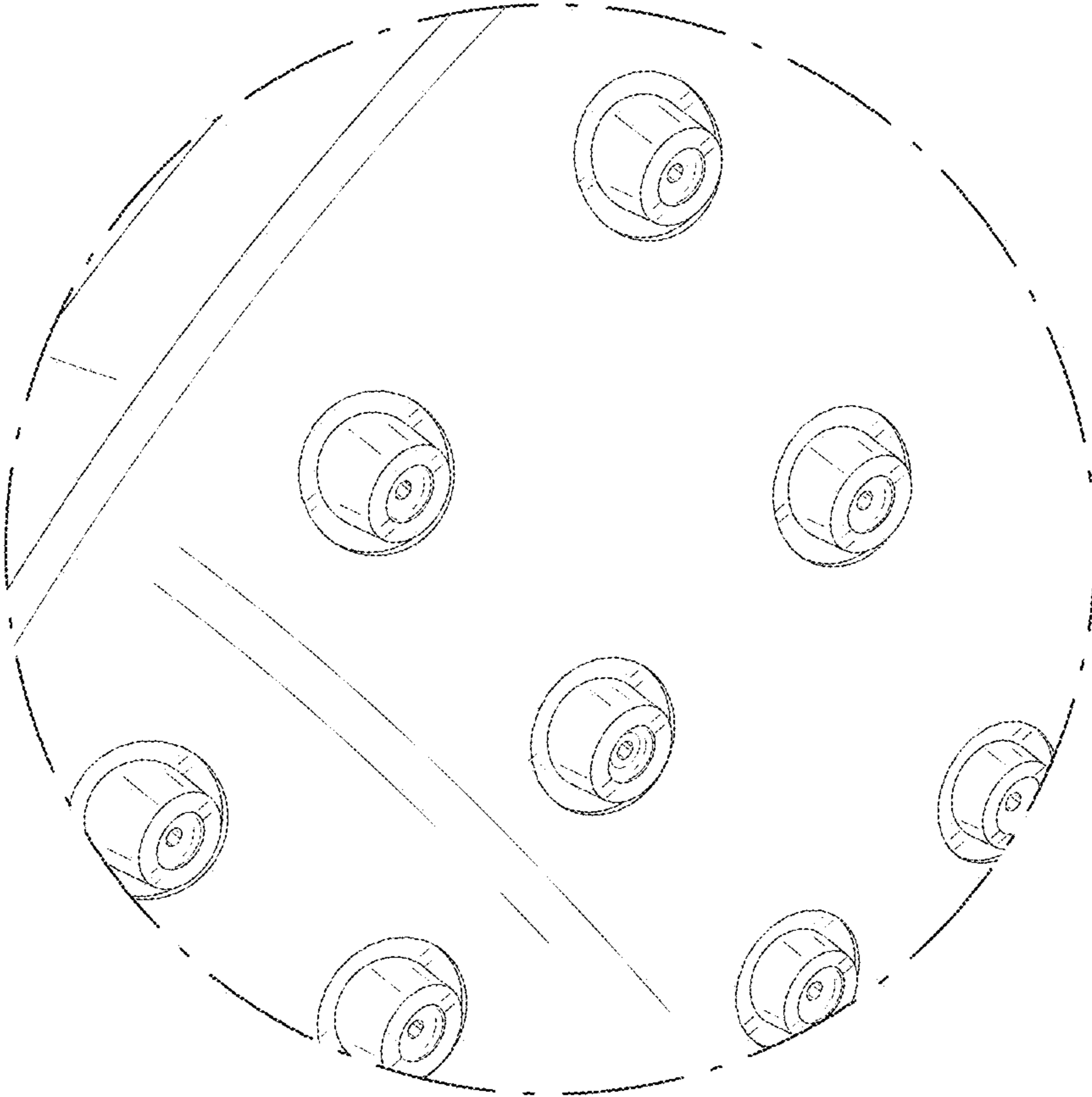


FIG. 9