



US00D970685S

(12) **United States Design Patent** (10) **Patent No.:** **US D970,685 S**
You (45) **Date of Patent:** **** Nov. 22, 2022**

(54) **FILTER ARM**

D448,066 S * 9/2001 Zetsche D23/241
D493,211 S * 7/2004 Fraser D23/209
D638,514 S * 5/2011 Farley D23/209
D638,515 S * 5/2011 Farley D23/209

(71) Applicant: **Junjie You**, Xiamen (CN)

(72) Inventor: **Junjie You**, Xiamen (CN)

(Continued)

(**) Term: **15 Years**

FOREIGN PATENT DOCUMENTS

(21) Appl. No.: **29/842,684**

CN 301815881 S 1/2012
CN 305322337 S 8/2019

(22) Filed: **Jun. 15, 2022**

OTHER PUBLICATIONS

(30) **Foreign Application Priority Data**

Inline Shower Filter Assembly by Sonaki, Oct. 23, 2017, amazon.ca, Sep. 15, 2022, URL: <https://www.amazon.com/dp/B076PQT6BH/> (Year: 2017).*

Jun. 8, 2022 (CN) 202230346207.X

(Continued)

(51) **LOC (13) Cl.** **23-01**

(52) **U.S. Cl.**
USPC **D23/213; D23/257; D23/241**

(58) **Field of Classification Search**
USPC D23/207, 213, 214, 215, 223, 224, 226,
D23/229, 230, 241, 242, 257, 421
CPC A61H 9/0021; A61H 33/00; B05B 1/00;
B05B 1/14; B05B 1/185; B05B 1/08;
B05B 1/02; B05B 1/26; B05B 12/002;
B05B 1/18; B05B 9/01
See application file for complete search history.

Primary Examiner — Keith J Wilson

(74) *Attorney, Agent, or Firm* — Wayne IP LLC

(57) **CLAIM**

The ornamental design for a filter arm, as shown and described.

DESCRIPTION

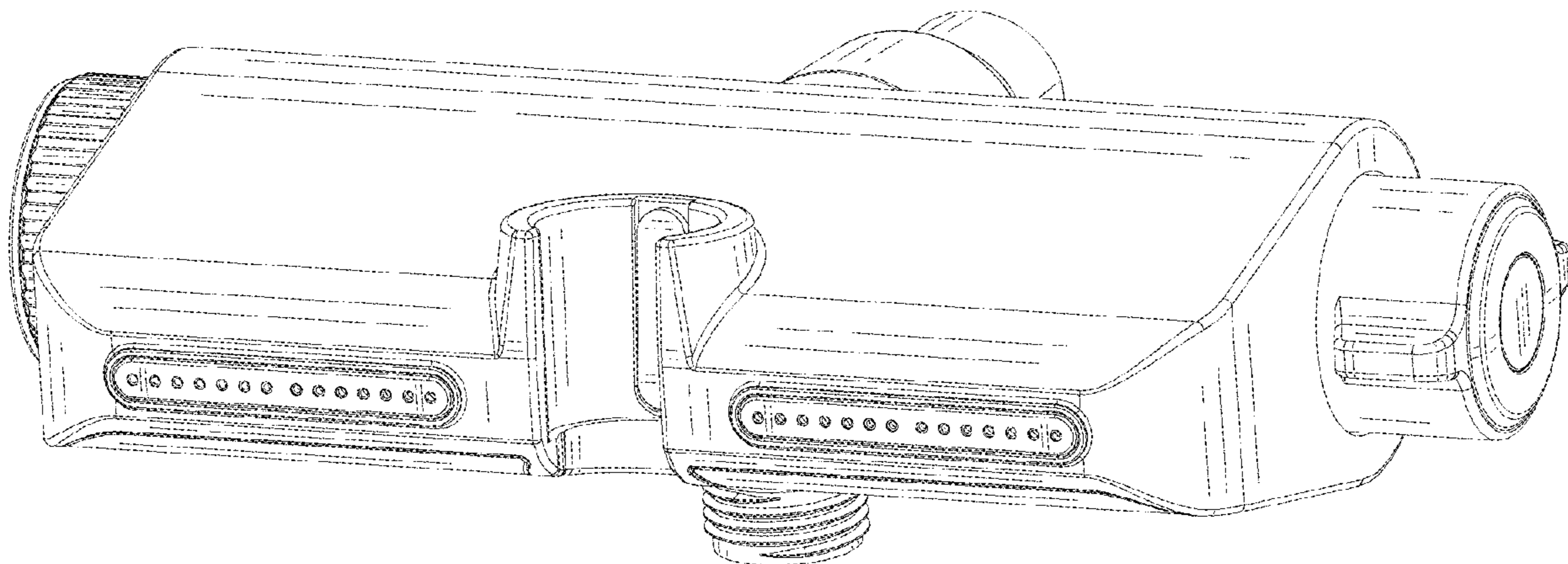
(56) **References Cited**

U.S. PATENT DOCUMENTS

D307,789 S * 5/1990 Kerr D23/209
4,933,080 A * 6/1990 Rundzaitis B01D 35/043
4/615
D313,266 S * 12/1990 Geneve D23/209
D353,187 S * 12/1994 Formgren D23/241
D359,796 S * 6/1995 Formgren D23/241
5,545,314 A * 8/1996 Parise E03C 1/0409
4/615
D403,051 S * 12/1998 Lobermeier D23/241
D411,284 S * 6/1999 Gottwald D23/241
D445,878 S * 7/2001 Zetsche D23/241
D447,540 S * 9/2001 Starck B01D 35/043
4/615

FIG. 1 is a front, right, top perspective view of a filter arm showing my new design;
FIG. 2 is a back, left, top perspective view thereof;
FIG. 3 is a front view thereof;
FIG. 4 is a back view thereof;
FIG. 5 is a left view thereof;
FIG. 6 is a right view thereof;
FIG. 7 is a top view thereof;
FIG. 8 is a bottom view thereof;
FIG. 9 is a use state diagram;
FIG. 10 is another use state diagram; and,
FIG. 11 is a third use state diagram.
The broken lines shown on the drawings depict portions of the filter arm that form no part of the claimed design.

1 Claim, 8 Drawing Sheets



(56)

References Cited

U.S. PATENT DOCUMENTS

D667,926 S * 9/2012 Farley E03C 1/0409
D23/209
D739,498 S * 9/2015 Flowers D23/209
2019/0368170 A1 * 12/2019 Austin-Dunkijacobs
F16K 11/0743
D23/209

OTHER PUBLICATIONS

Metal Threads Shower Filter with Anti Clogging Carbon Fiber Cartridges, Jul. 13, 2022, amazon.ca, Sep. 15, 2022, URL: <https://www.amazon.com/dp/B0B6DQ4BVP/> (Year: 2022).*

* cited by examiner

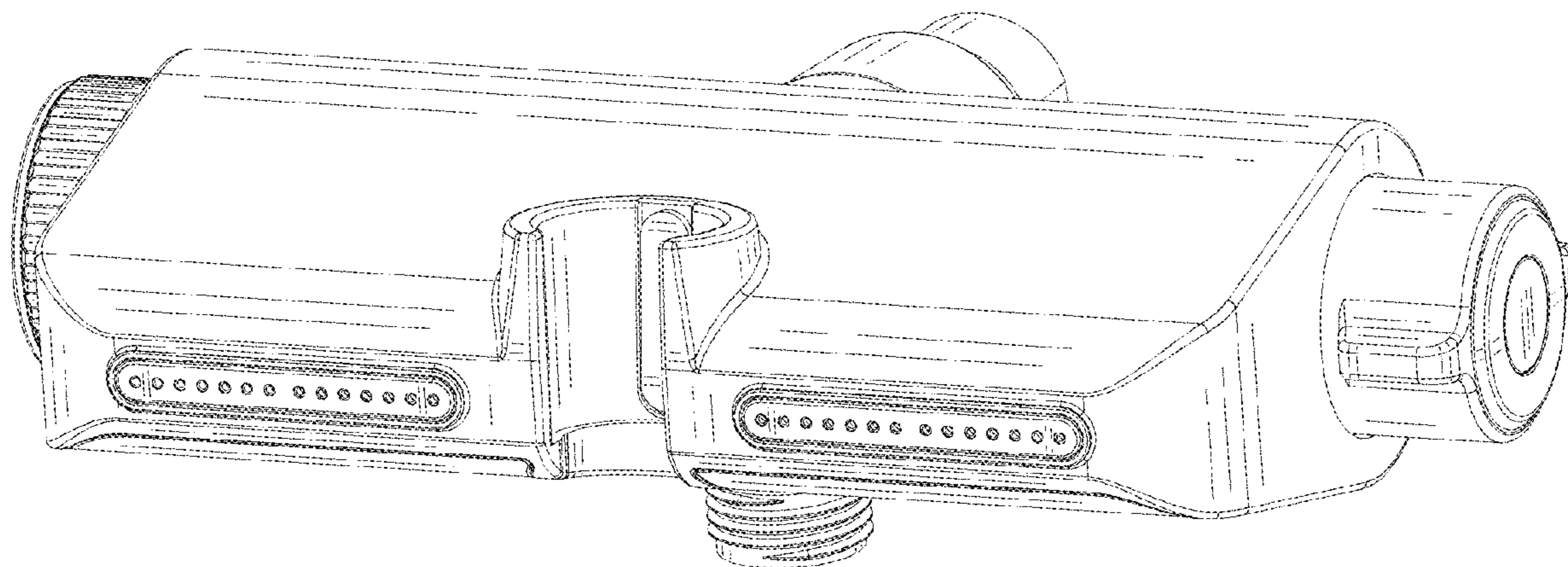


FIG. 1

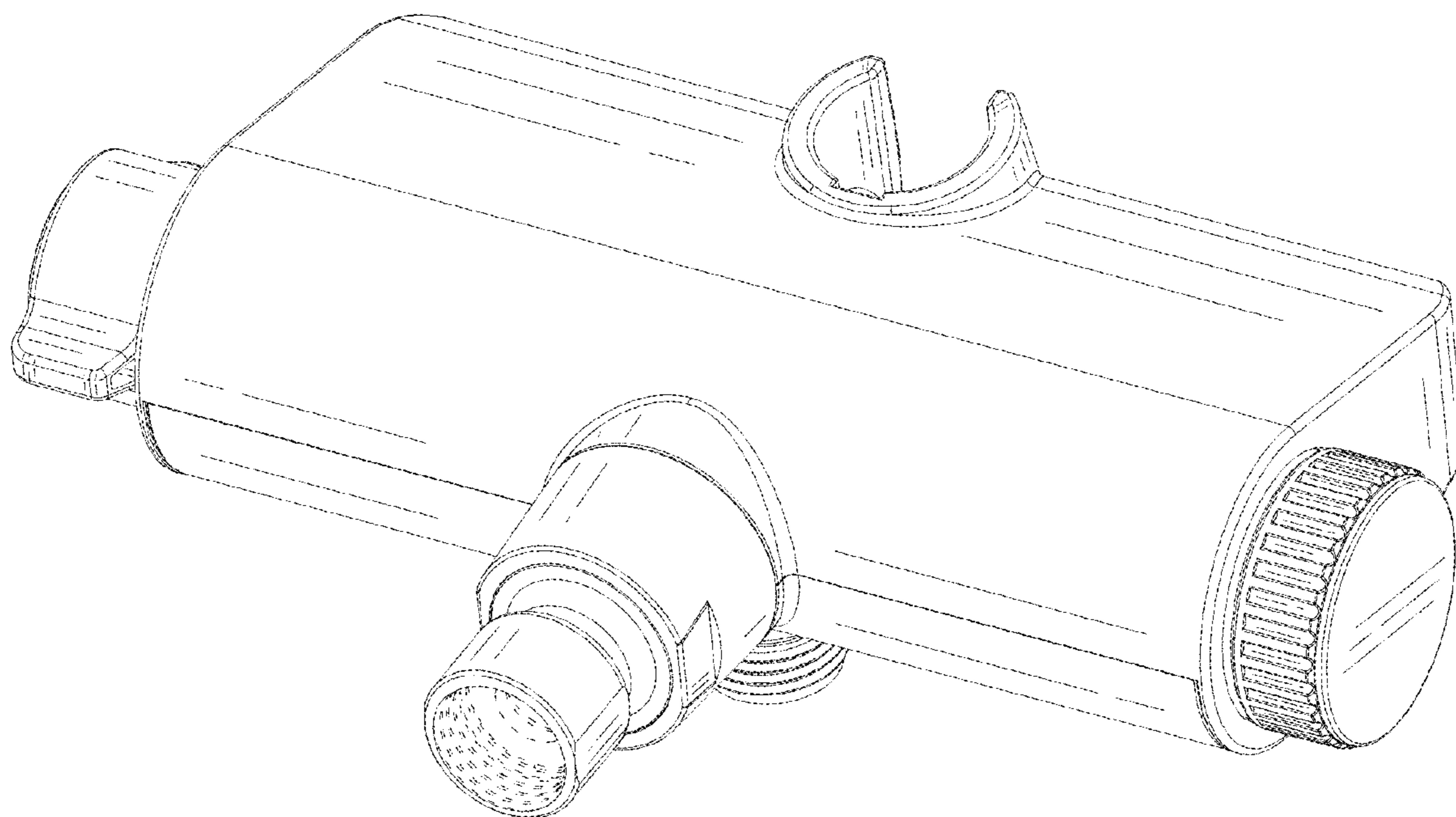


FIG. 2

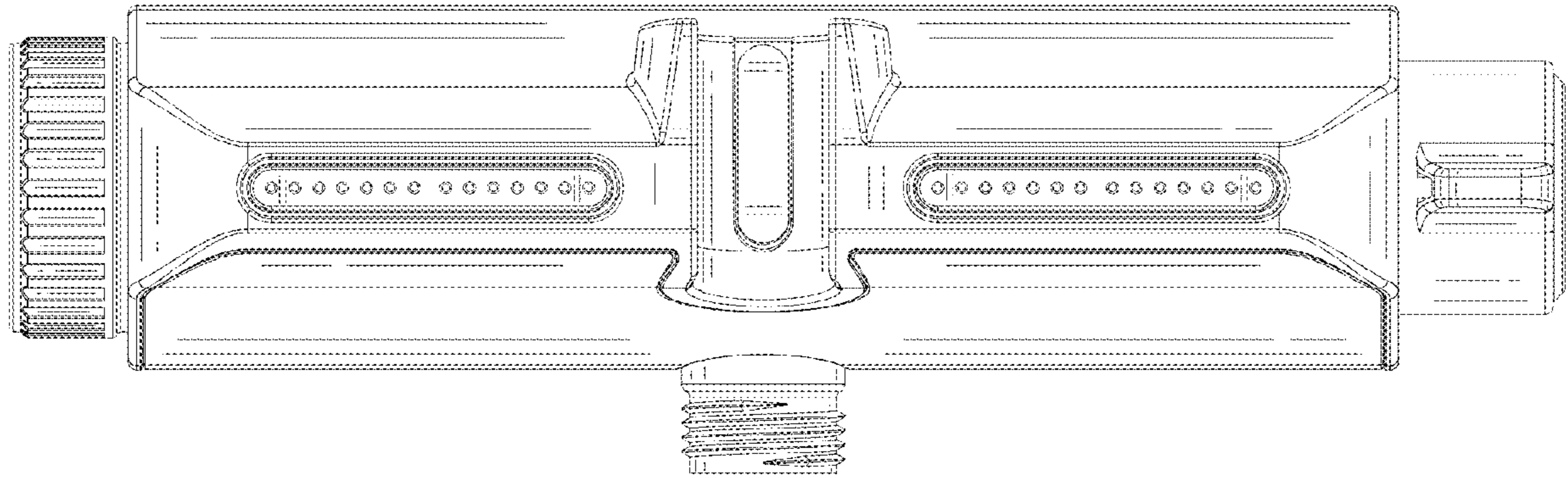


FIG. 3

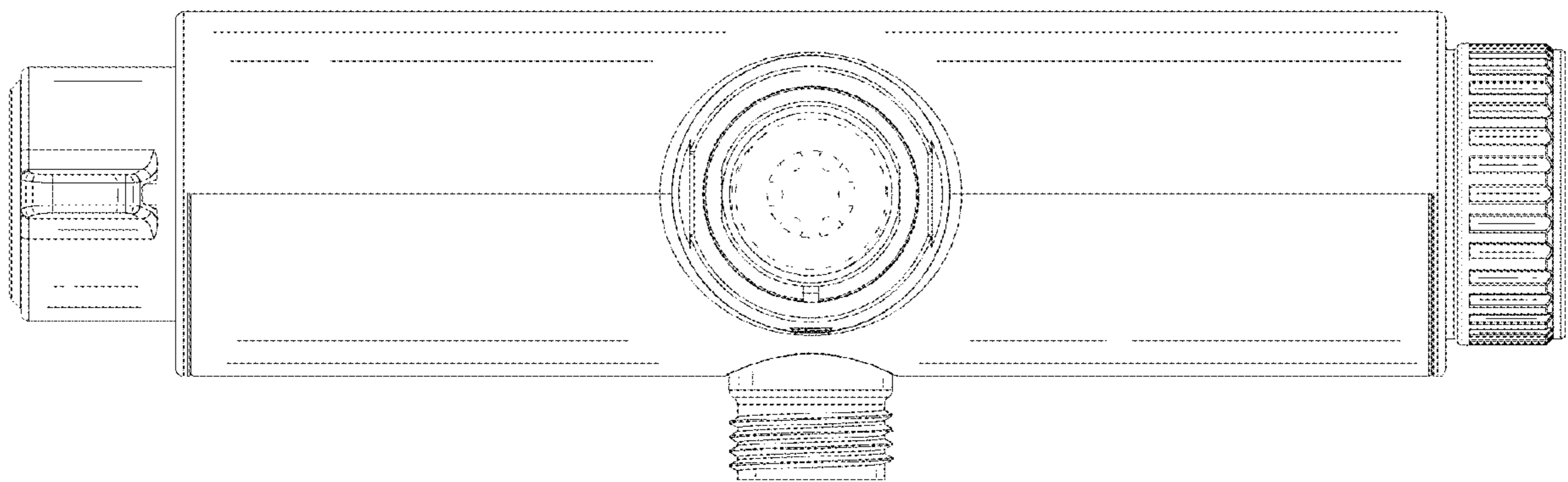


FIG. 4

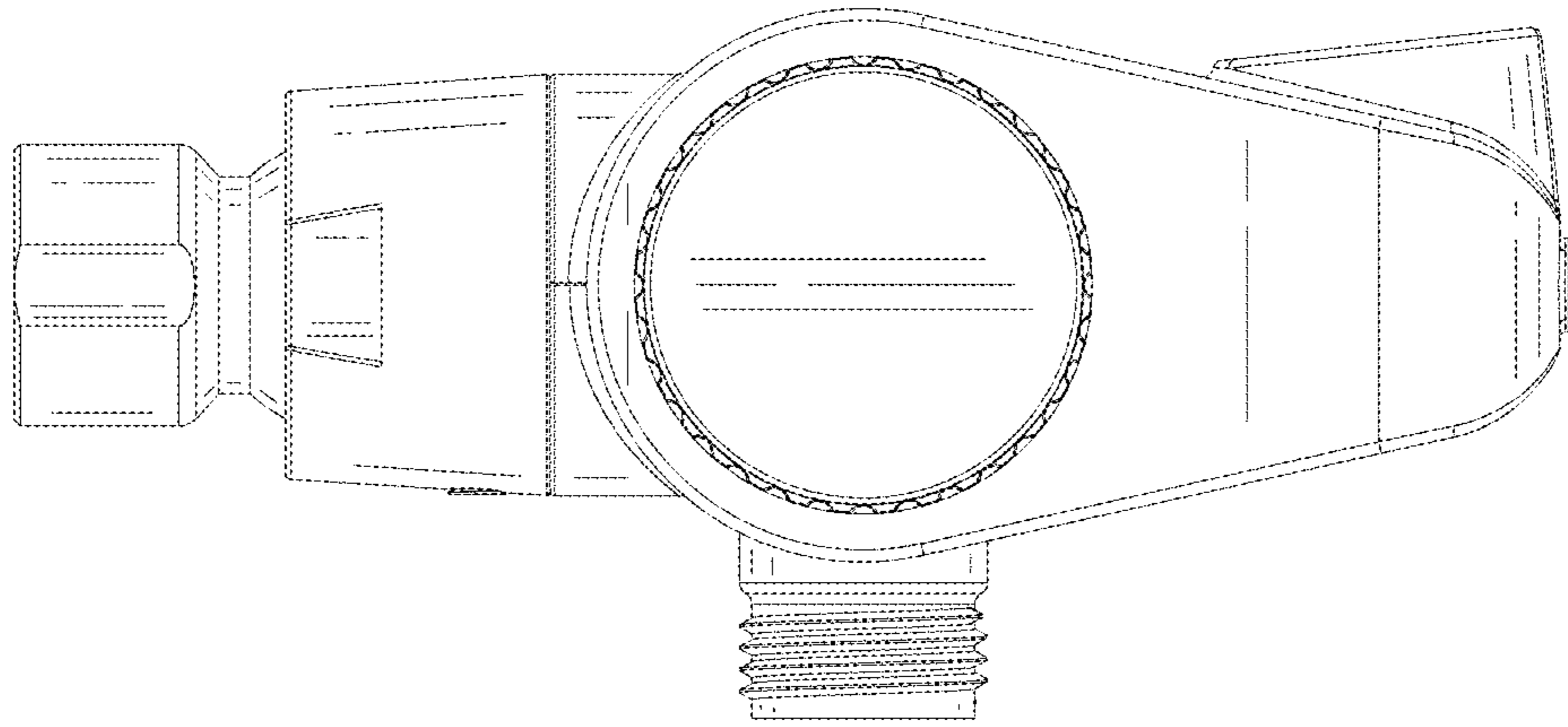


FIG. 5

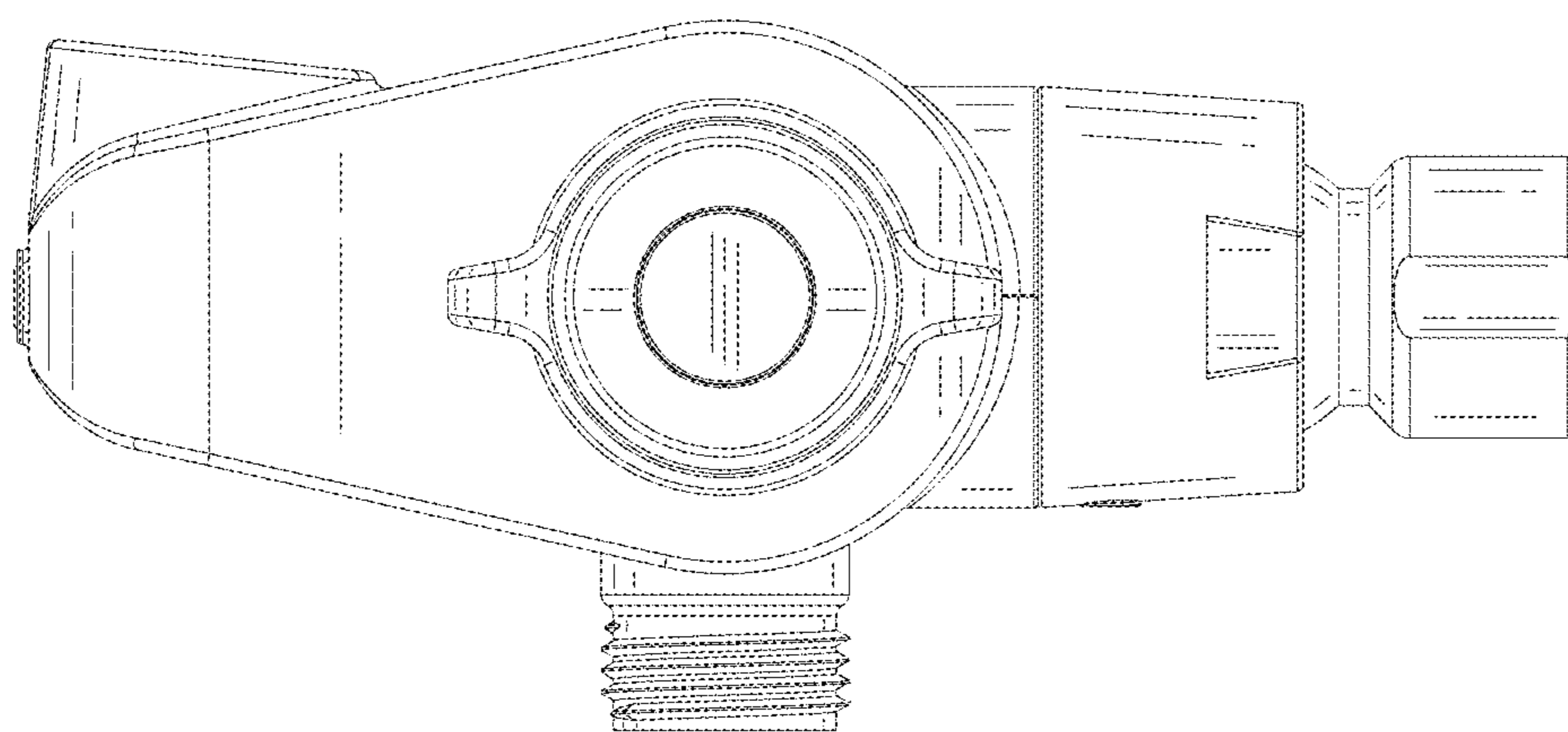


FIG. 6

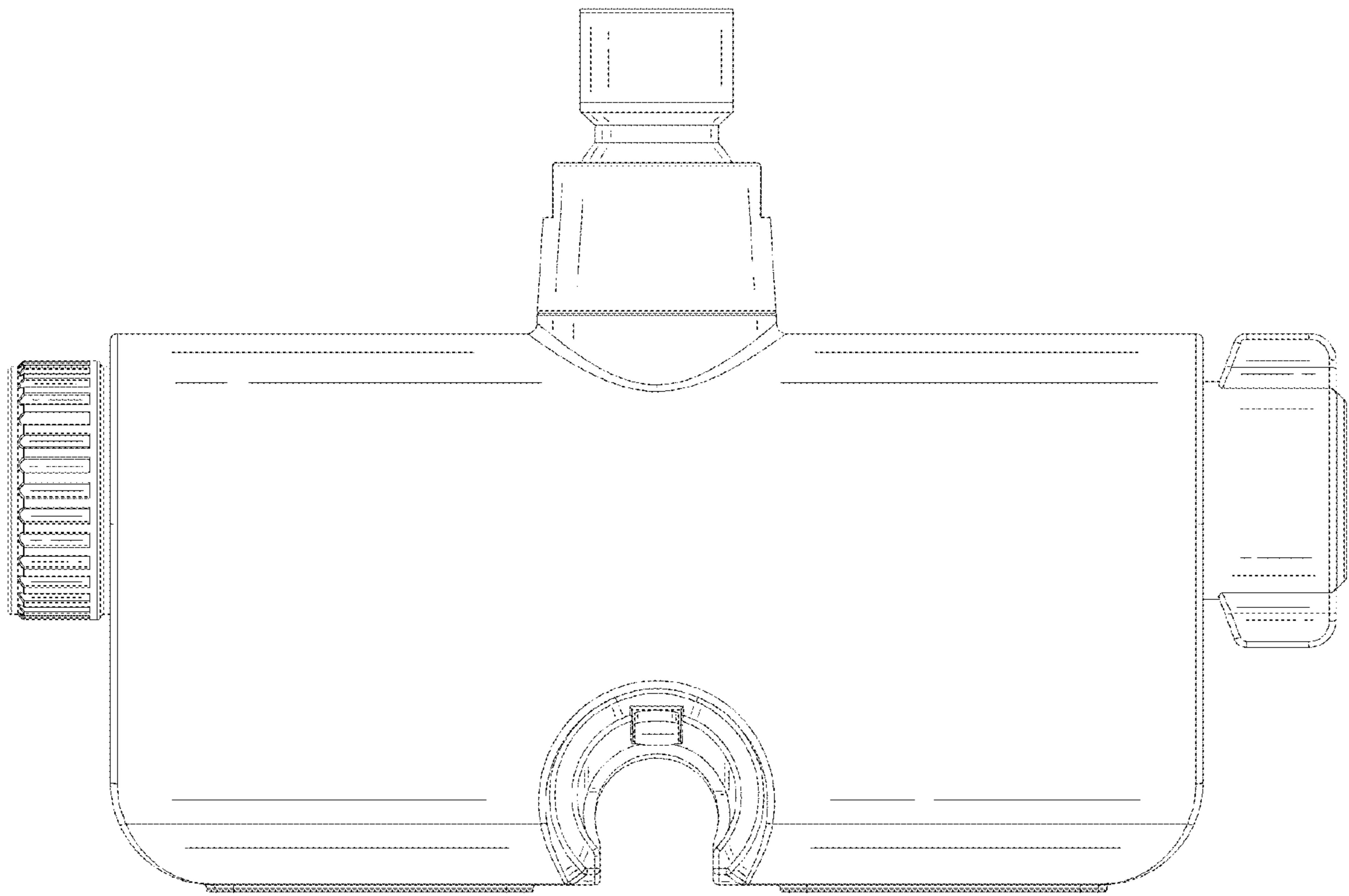


FIG. 7

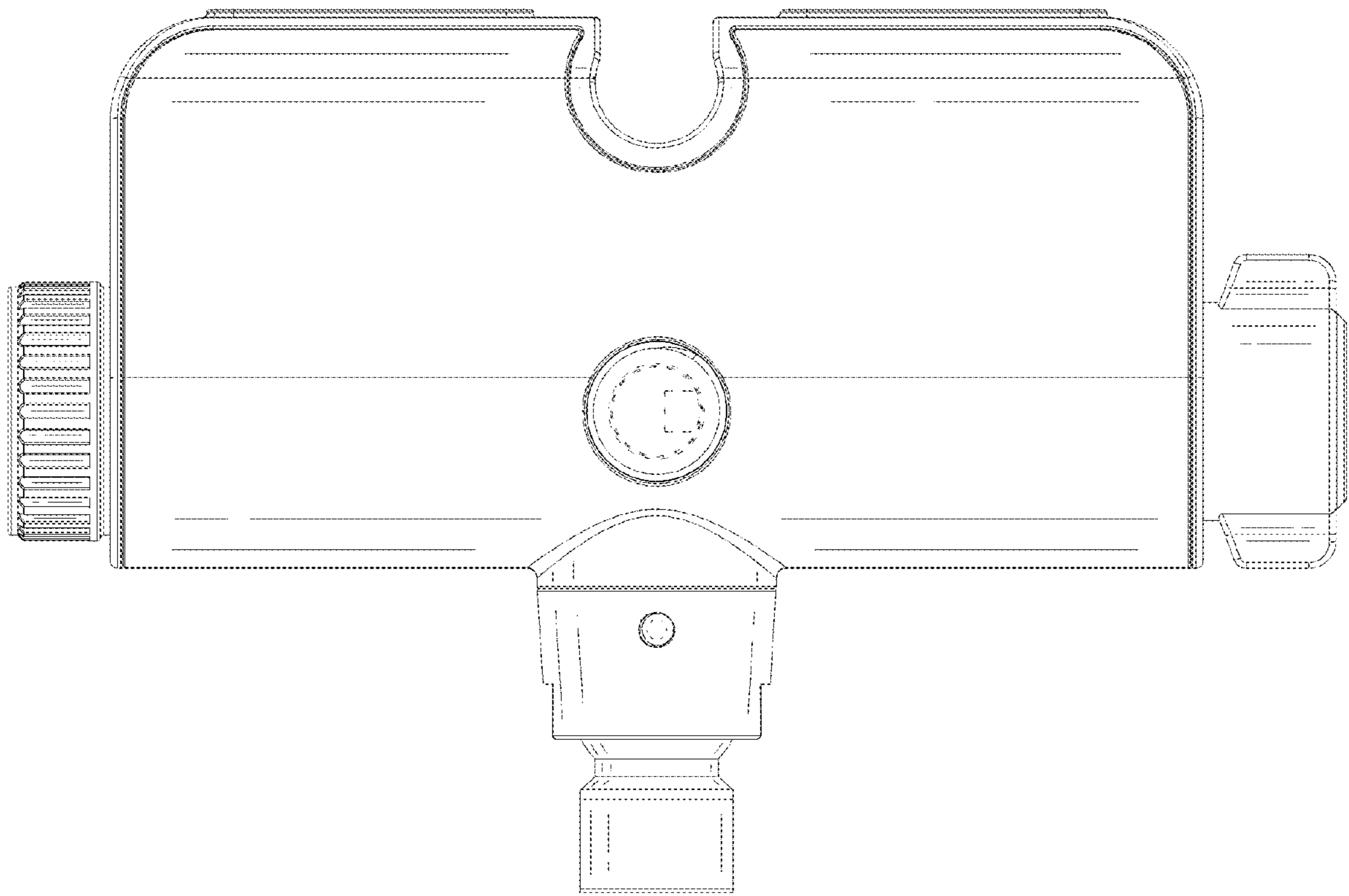


FIG. 8

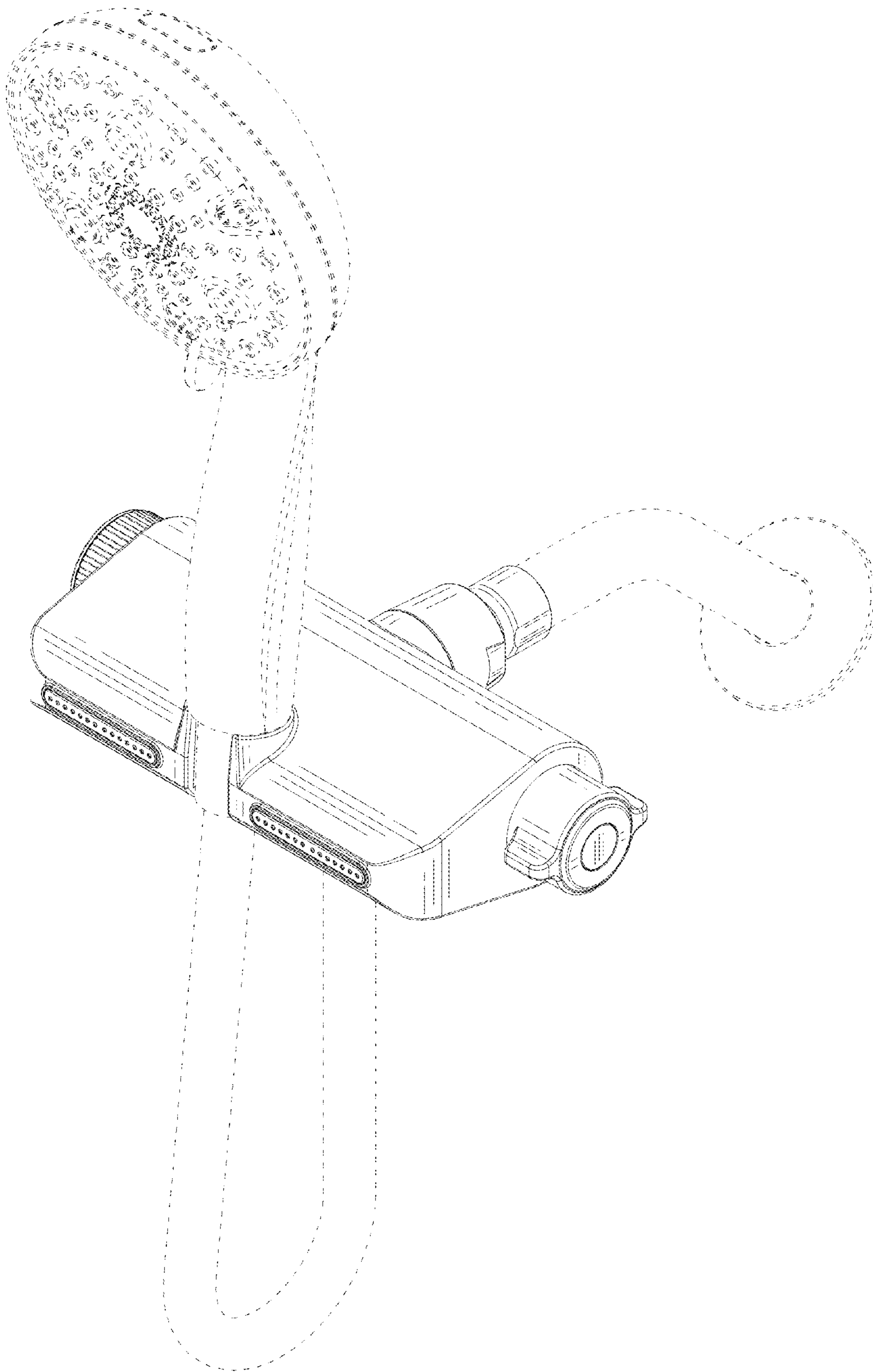


FIG. 9

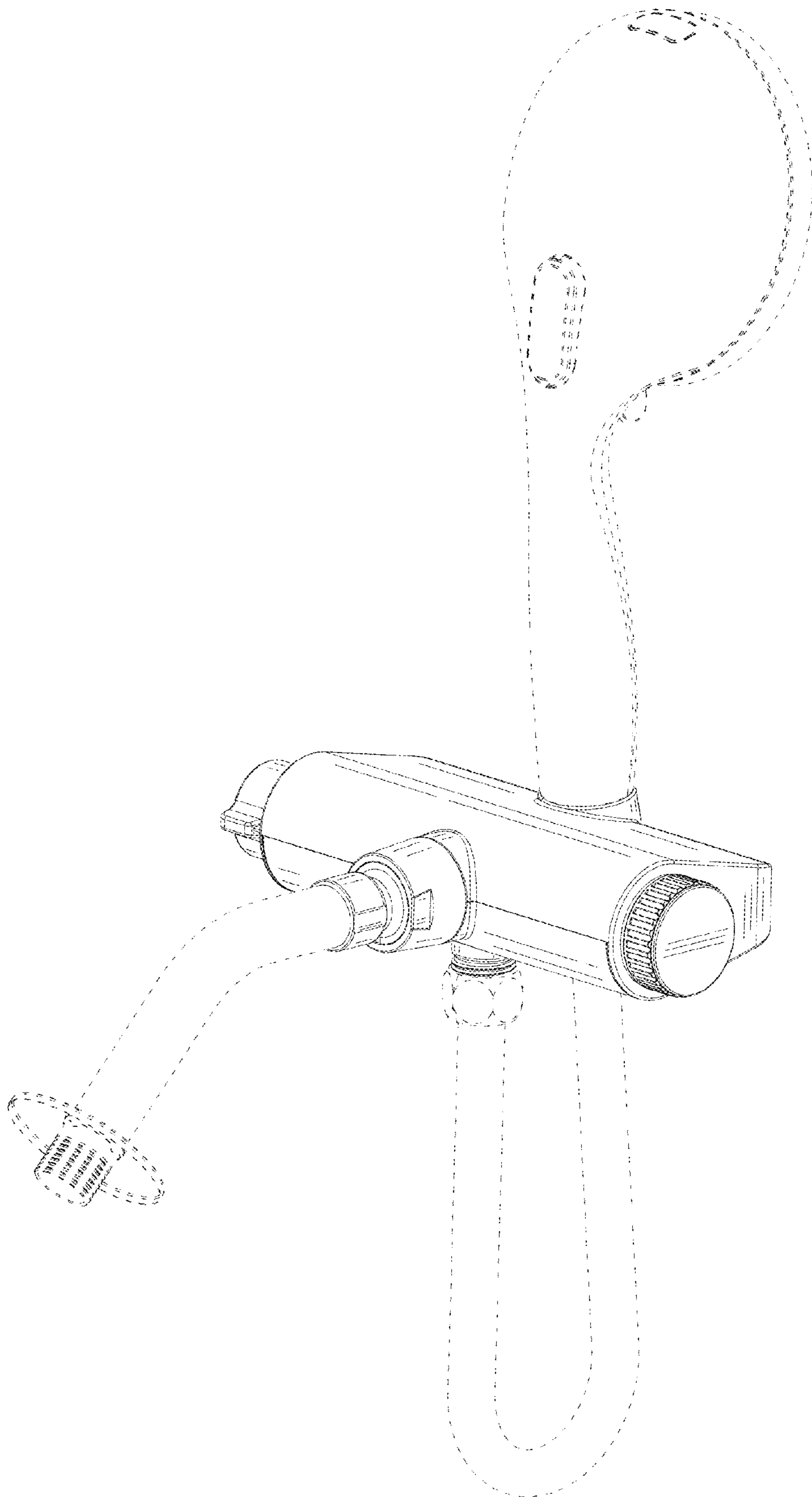


FIG. 10

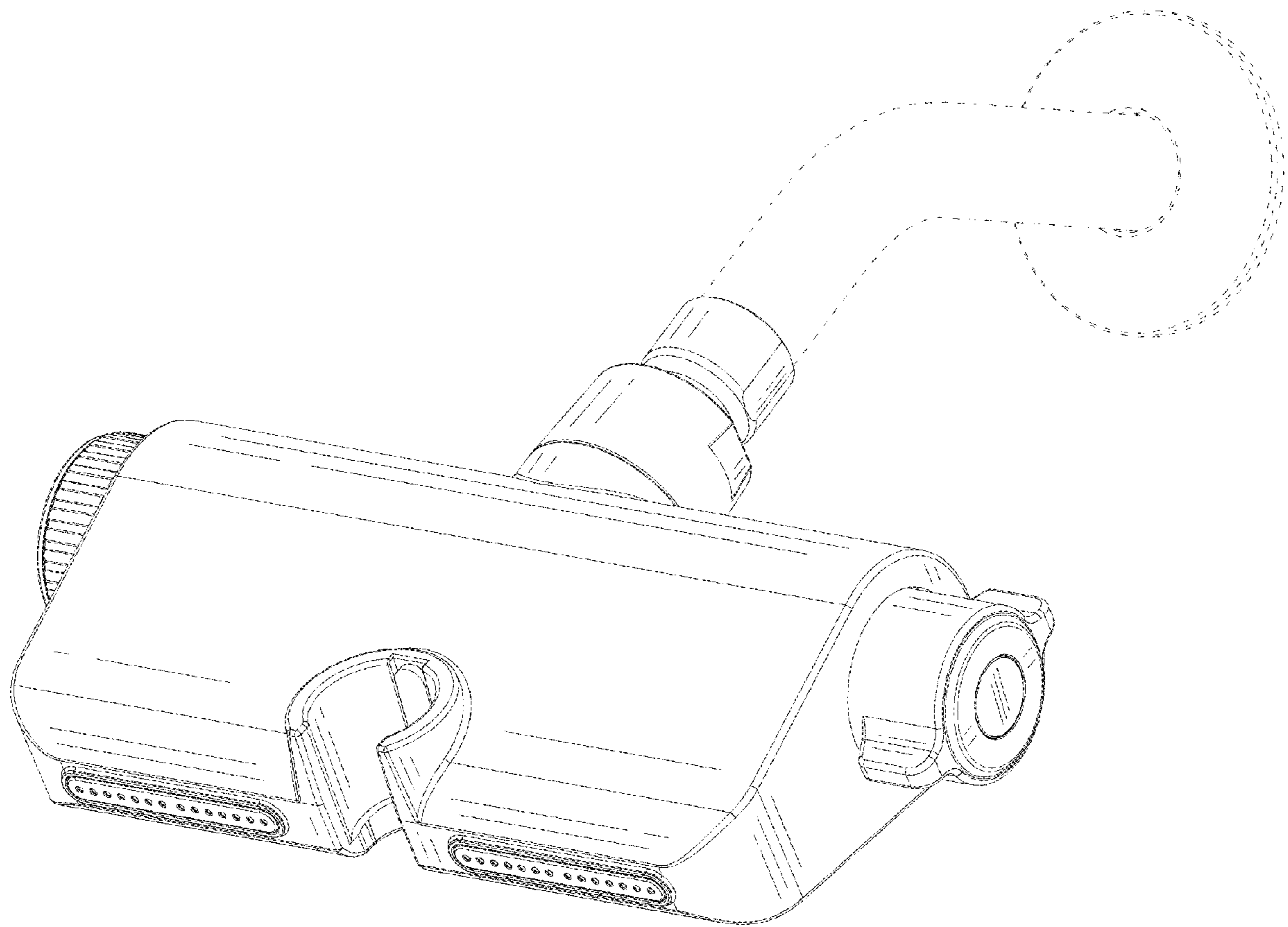


FIG. 11