



US00D970681S

(12) **United States Design Patent**
Hu

(10) **Patent No.:** **US D970,681 S**
(45) **Date of Patent:** **** Nov. 22, 2022**

(54) **MOSQUITO KILLING LAMP**

D916,228 S 4/2021 Luo
D918,332 S 5/2021 Luo
D919,744 S 5/2021 Feng

(71) Applicant: **Shenzhen Hailixuan Technology Co., Ltd.**, Shenzhen (CN)

(72) Inventor: **Chang Xi Hu**, Shenzhen (CN)

(73) Assignee: **Shenzhen Hailixuan Technology Co., Ltd.**, Shenzhen (CN)

(**) Term: **15 Years**

(21) Appl. No.: **29/809,807**

(22) Filed: **Sep. 30, 2021**

(30) **Foreign Application Priority Data**

Sep. 18, 2021 (CN) 202130622515.6

(51) **LOC (13) Cl.** **22-06**

(52) **U.S. Cl.**
USPC **D22/123**

(58) **Field of Classification Search**
USPC D22/122–123; 43/107
CPC A01M 1/02; A01M 1/04; A01M 1/08;
A01M 1/106; A01M 1/223; A01M
2200/01; A01M 2200/012
See application file for complete search history.

(56) **References Cited**

U.S. PATENT DOCUMENTS

D291,224 S * 8/1987 Yuen D22/123
D302,577 S * 8/1989 Lee D22/123
D544,566 S * 6/2007 Lin D22/122
D786,389 S * 5/2017 Zemel D22/122
D900,957 S 11/2020 Du

OTHER PUBLICATIONS

https://www.amazon.com/Outdoor-Electric-Mosquito-Electronic-Backyard/dp/B09QPPB2TX/ref=sr_1_303?crd=SBMD8716UQGH&keywords=mosquito+killer+lamp&qid=1657747716&sprefix=mosquito+killer+lamp%2Caps%2C58&sr=8-303 (Year: 2022).*

* cited by examiner

Primary Examiner — Catherine R Oliver-Garcia

(57) **CLAIM**

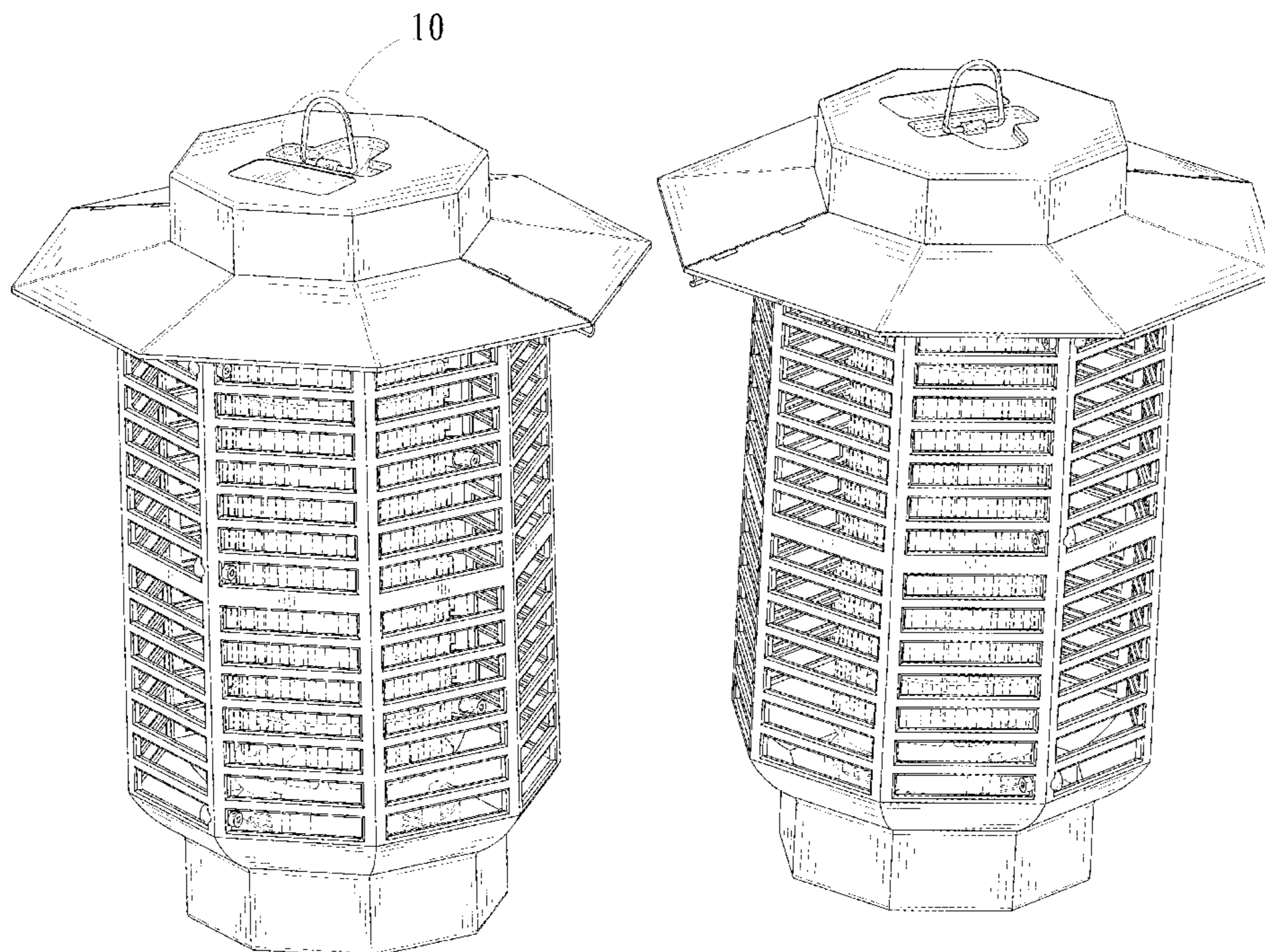
The ornamental design for a mosquito killing lamp, as shown and described.

DESCRIPTION

FIG. 1 is a front and top perspective view of a mosquito killing lamp, showing my new design;
FIG. 2 is a rear and top perspective view thereof;
FIG. 3 is a rear and bottom perspective view thereof;
FIG. 4 is a front elevation view thereof;
FIG. 5 is a rear view thereof;
FIG. 6 is a left side elevation view thereof;
FIG. 7 is a right side elevation view thereof;
FIG. 8 is a top plan view thereof;
FIG. 9 is a bottom plan view thereof; and,
FIG. 10 is an enlarged view of the portion, labeled '10' of FIG. 1.

The broken lines depict portions of the mosquito killing lamp in which the design is embodied that form no part of the claimed design.

1 Claim, 10 Drawing Sheets



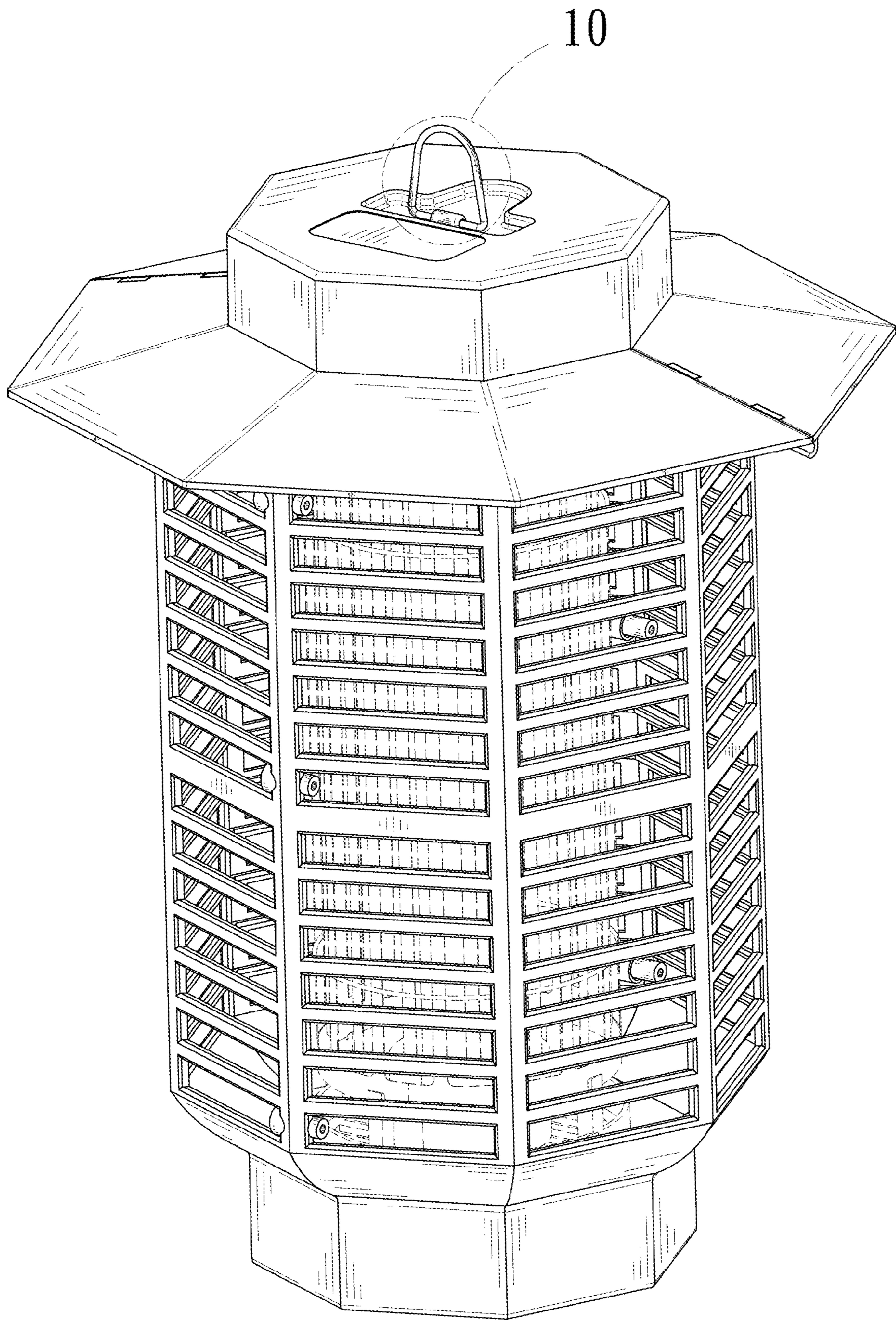


FIG. 1

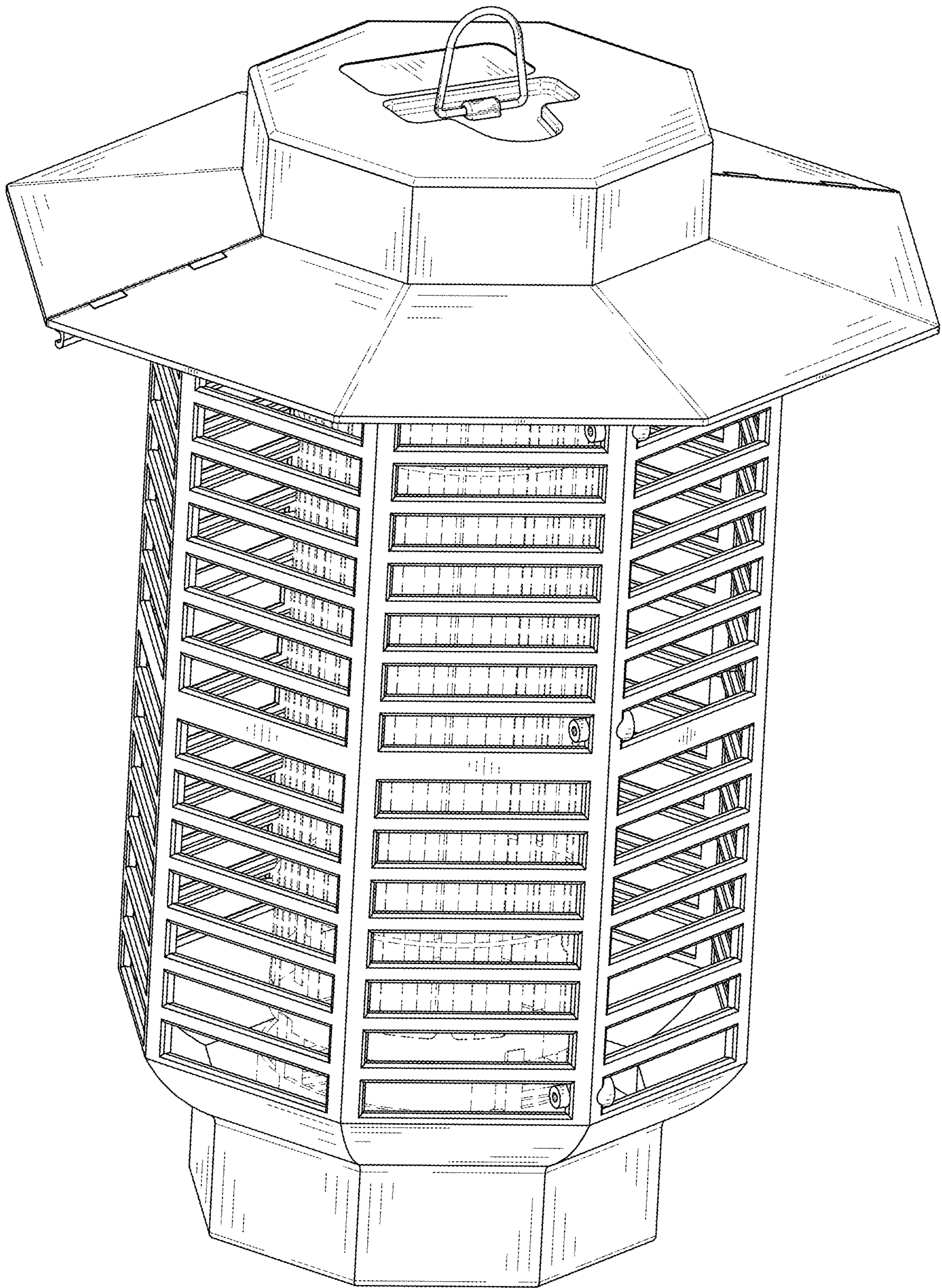


FIG. 2

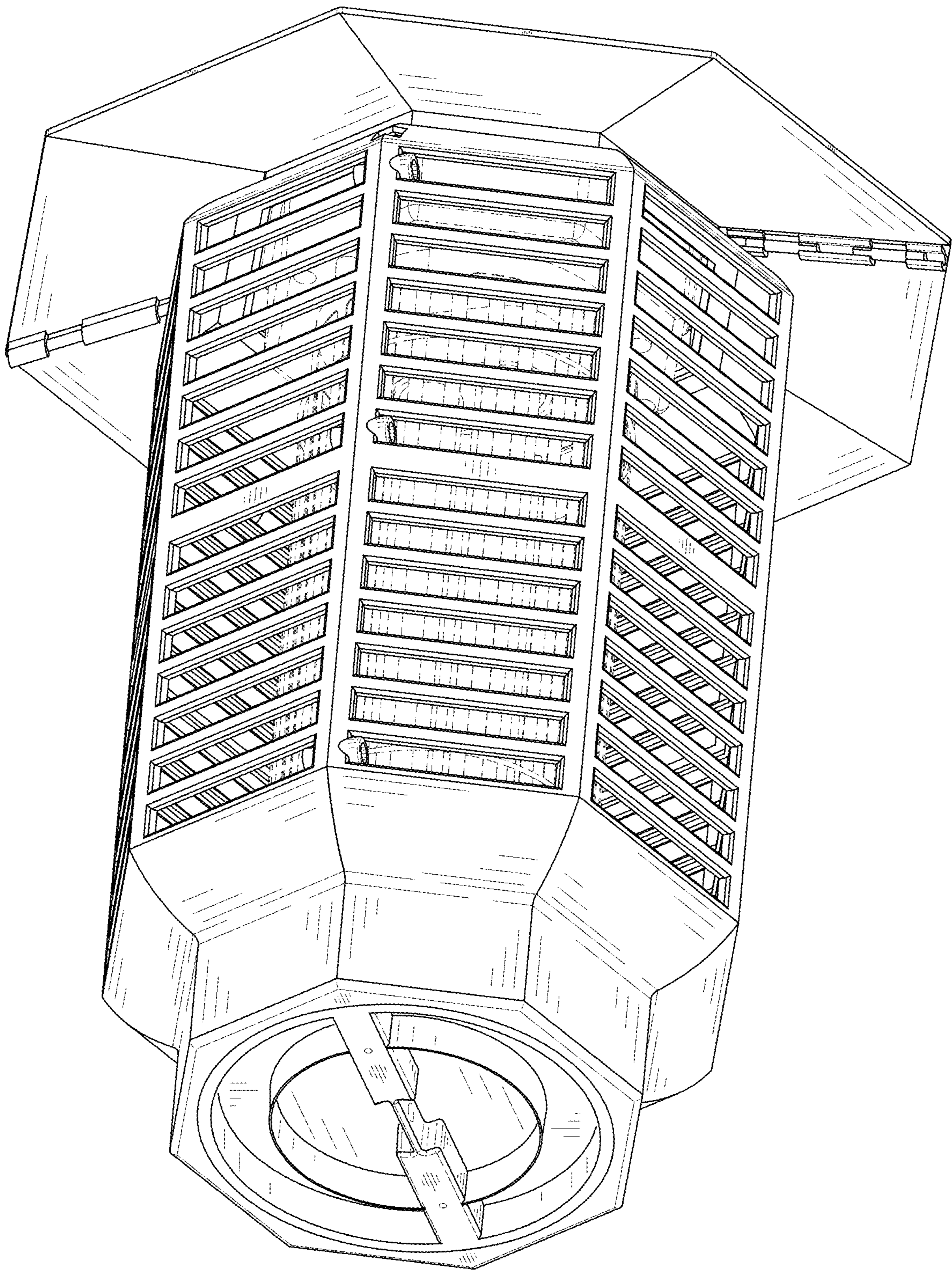


FIG. 3

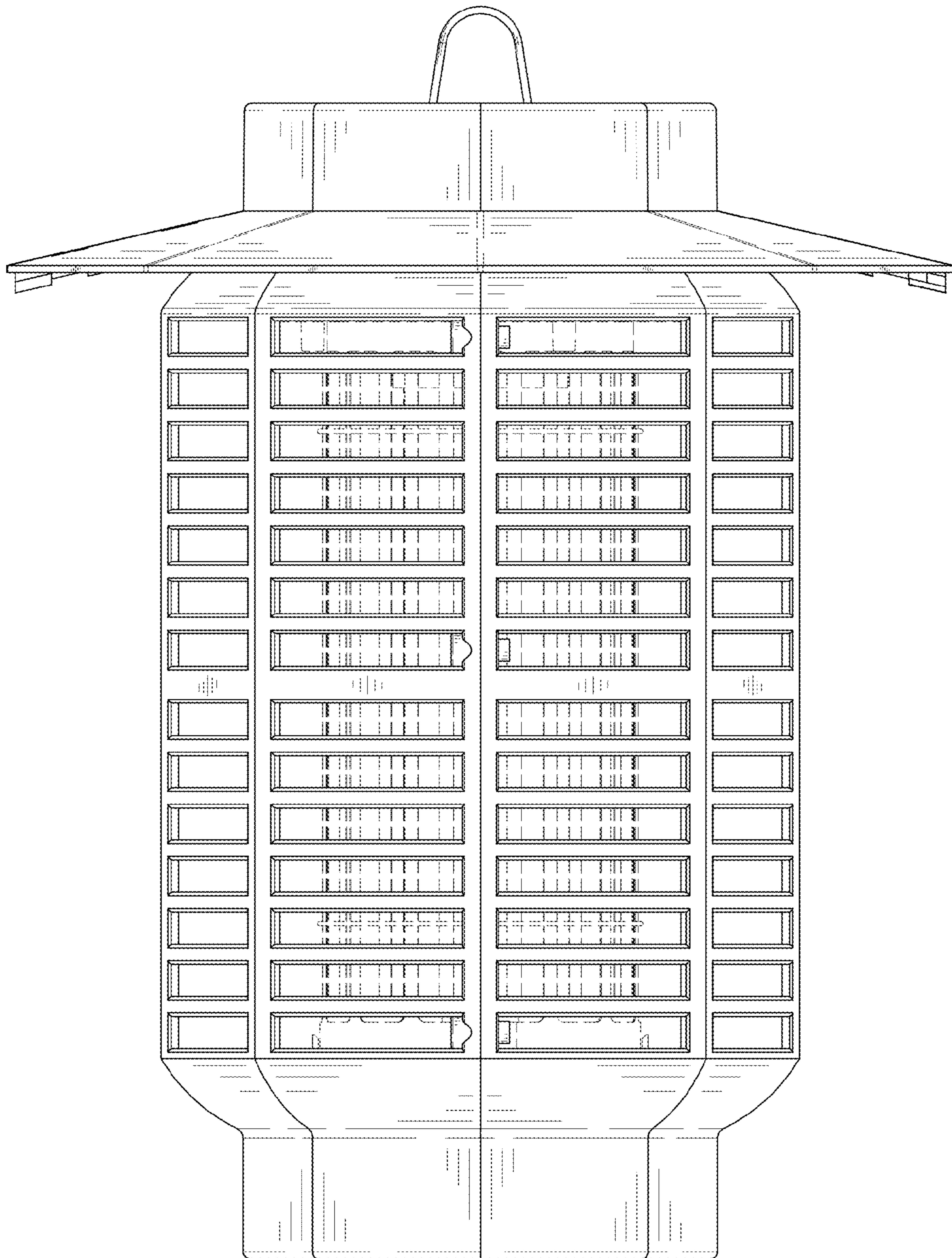


FIG. 4

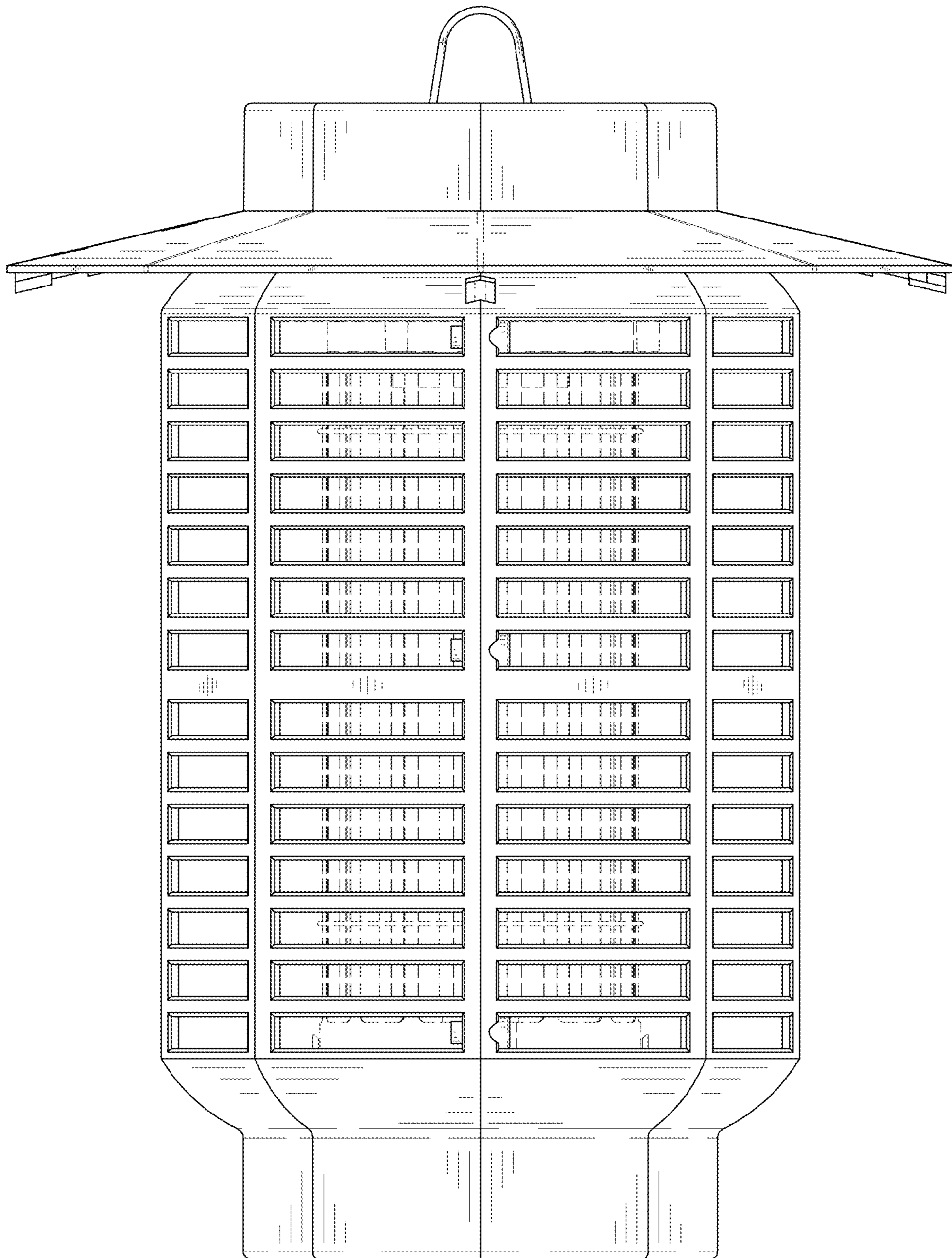


FIG. 5

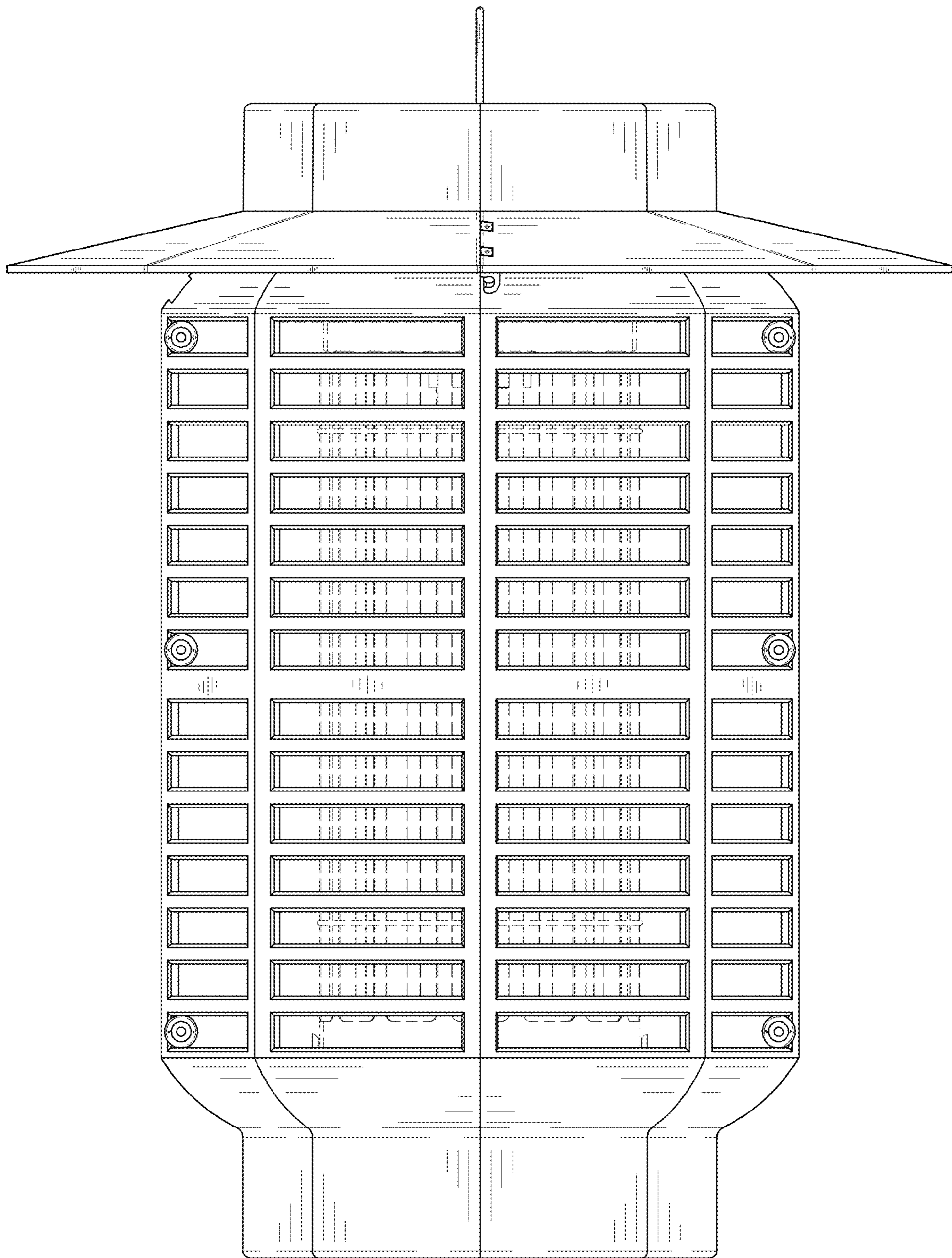


FIG. 6

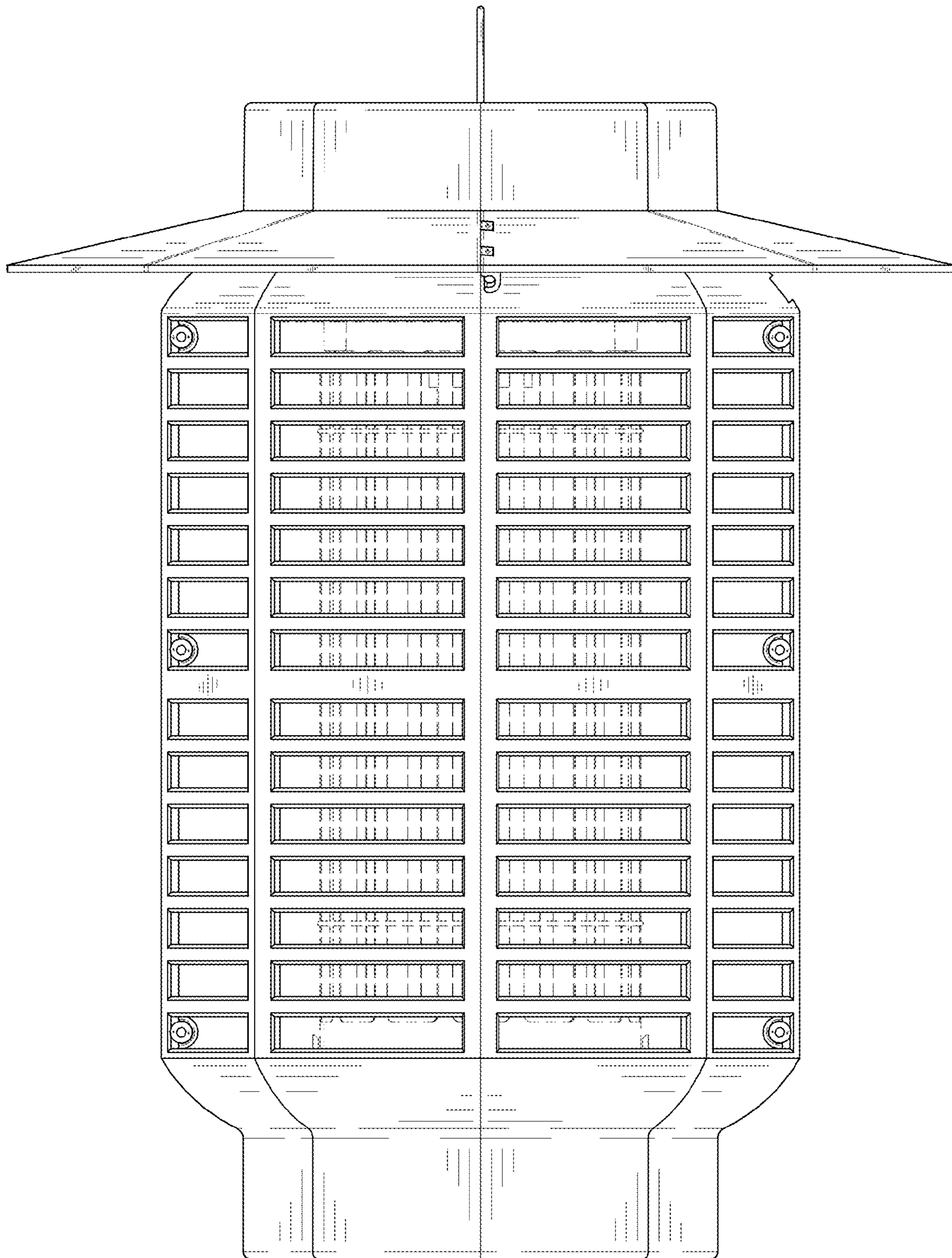


FIG. 7

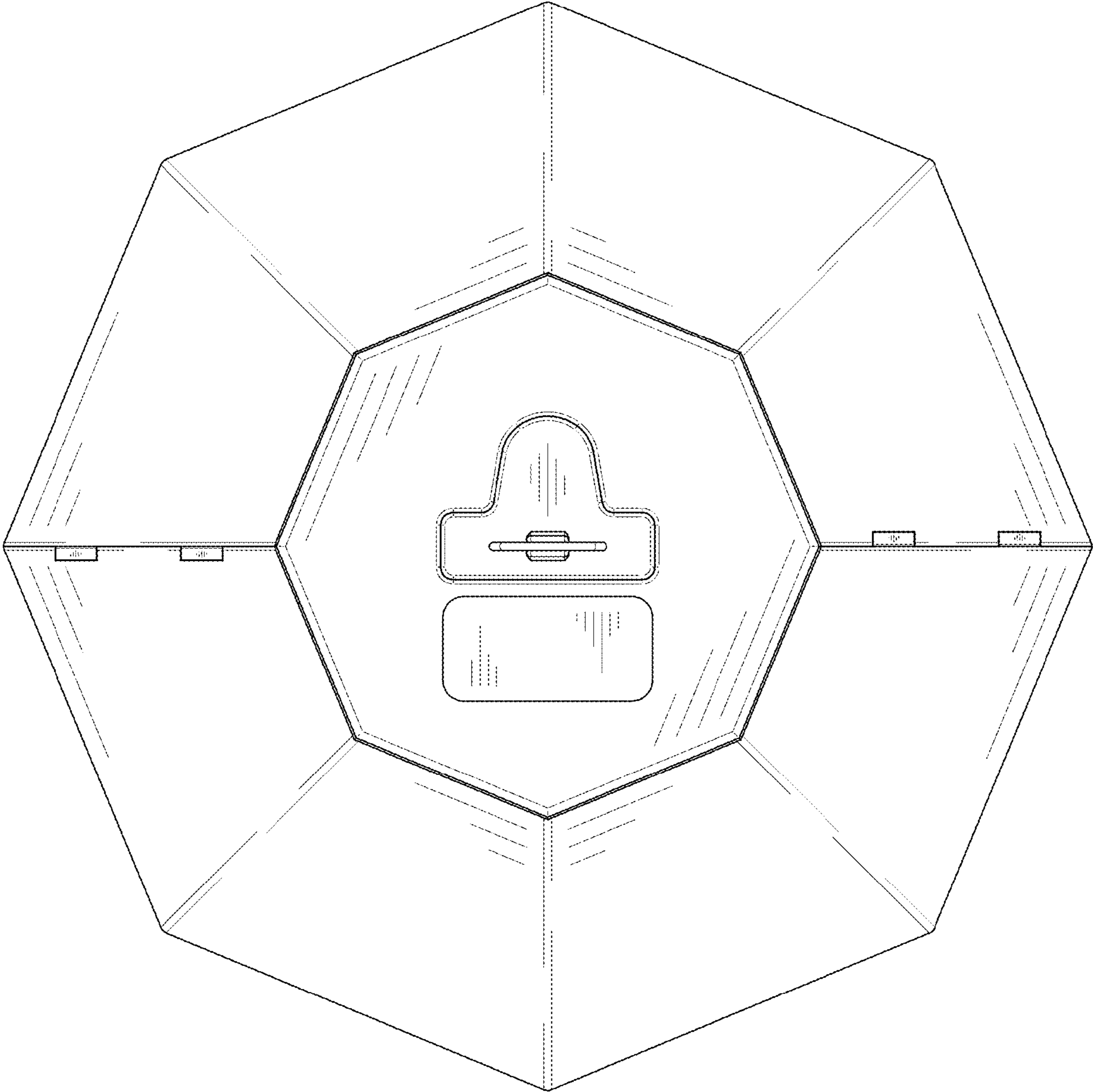


FIG. 8

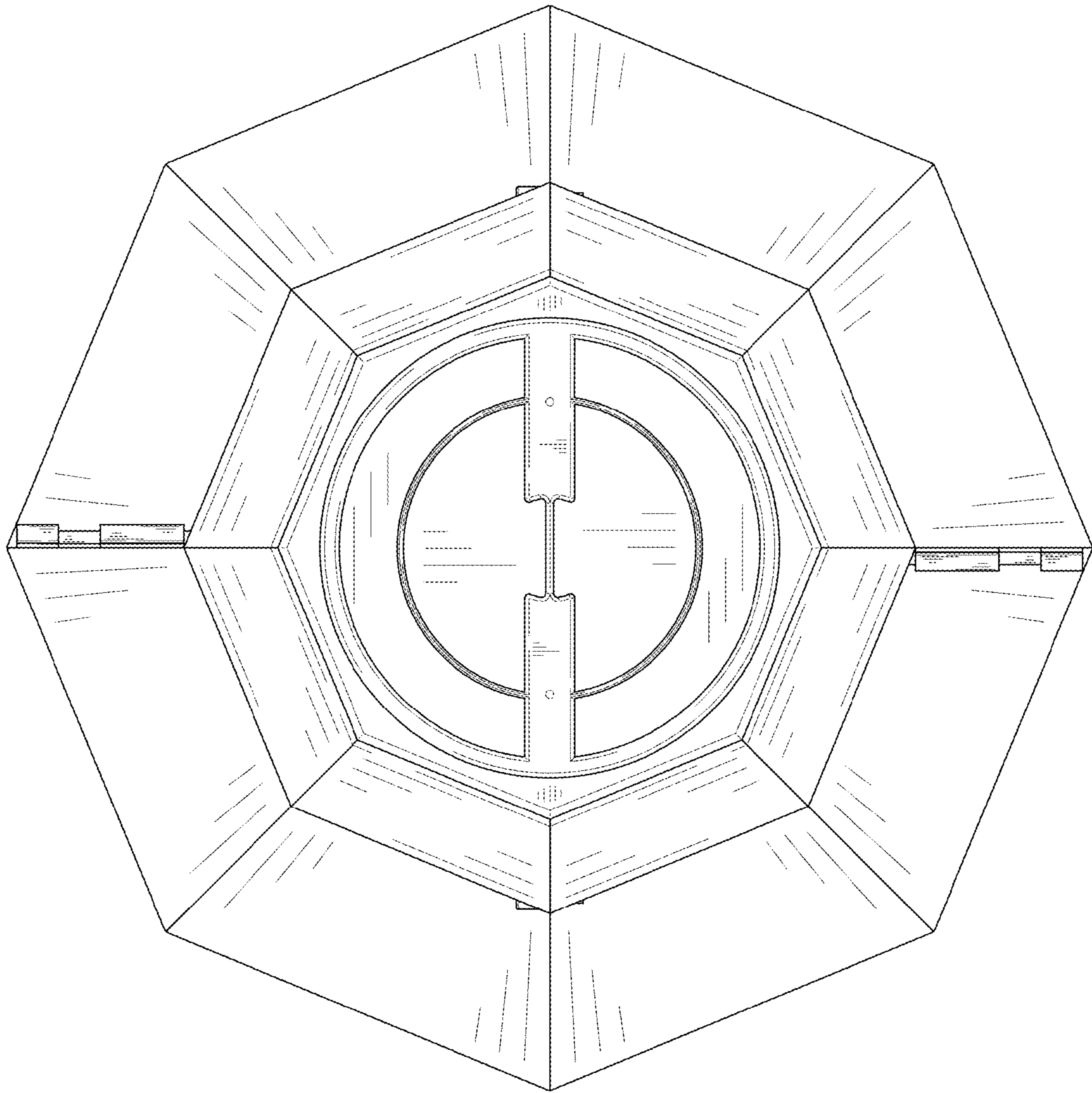


FIG. 9

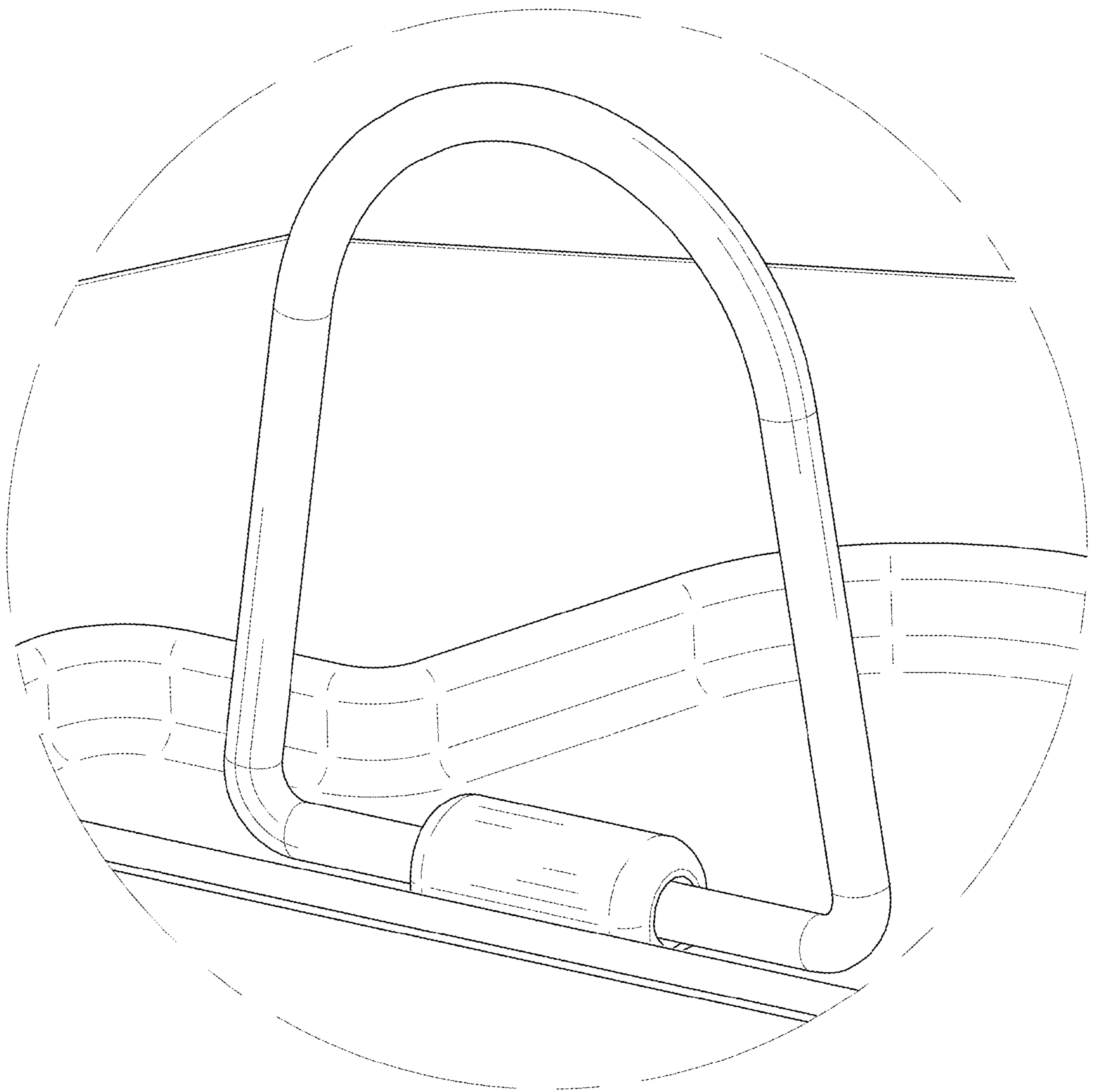


FIG. 10