



US00D970680S

(12) **United States Design Patent** (10) **Patent No.:** **US D970,680 S**
Li (45) **Date of Patent:** **** Nov. 22, 2022**

(54) **MOSQUITO KILLER LAMP**
(71) Applicant: **Lanfang Li**, Guangdong (CN)
(72) Inventor: **Lanfang Li**, Guangdong (CN)
(73) Assignee: **Shenzhen Palazan Technology Co., Ltd.**, Shenzhen (CN)
(**) Term: **15 Years**

D831,784 S 10/2018 Rubel
D868,932 S 12/2019 Zhu
D870,233 S 12/2019 Zhu
D906,474 S * 12/2020 Feng D22/123
D918,332 S * 5/2021 Luo D22/123
D940,816 S * 1/2022 Gao D22/122
D943,704 S * 2/2022 Feng D22/123
D949,281 S * 4/2022 Peng D22/123
D950,002 S * 4/2022 Luo D22/123
D950,676 S * 5/2022 Luo D22/123

* cited by examiner

(21) Appl. No.: **29/809,160**
(22) Filed: **Sep. 26, 2021**
(51) **LOC (13) Cl.** **22-06**
(52) **U.S. Cl.**
USPC **D22/123**
(58) **Field of Classification Search**
USPC D22/122-123; 43/107
CPC A01M 1/02; A01M 1/04; A01M 1/08;
A01M 1/106; A01M 1/223
See application file for complete search history.

Primary Examiner — Catherine R Oliver-Garcia

(57) **CLAIM**

The ornamental design for a mosquito killer lamp, as shown and described.

DESCRIPTION

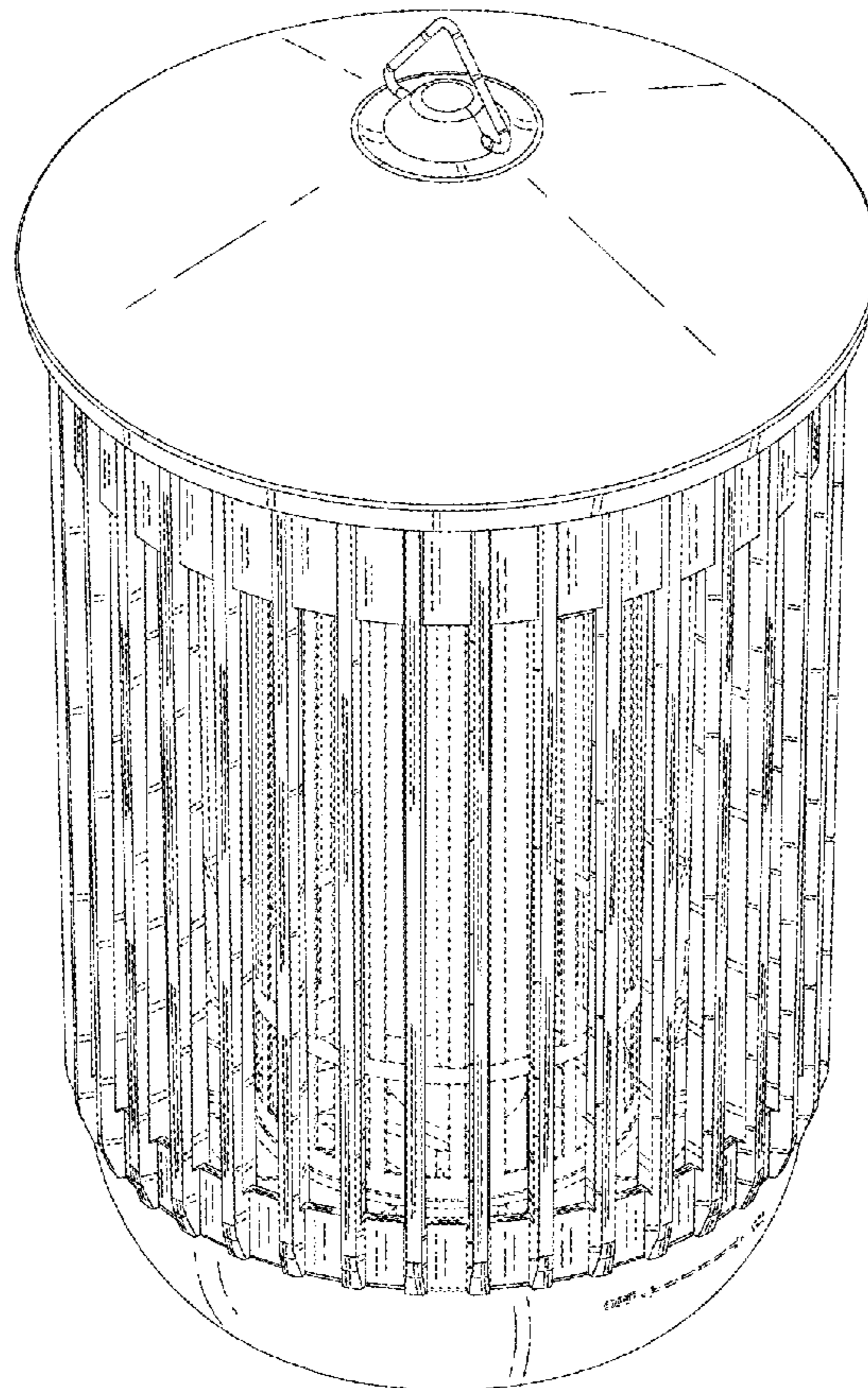
FIG. 1 is a perspective view of a mosquito killer lamp showing my new design;
FIG. 2 is a front elevational view thereof;
FIG. 3 is a rear elevational view thereof;
FIG. 4 is a left side elevational view thereof;
FIG. 5 is a right side elevational view thereof;
FIG. 6 is a top plan view thereof;
FIG. 7 is a bottom plan view thereof; and,
FIG. 8 is another perspective view thereof.
The broken line showing of (portions of the mosquito killer lamp) is included for the purpose of illustrating and forms no part of the claimed design.

(56) **References Cited**

U.S. PATENT DOCUMENTS

D270,930 S * 10/1983 Lee D22/123
D367,913 S 3/1996 Hafford et al.
D612,902 S 3/2010 Fleming
8,701,339 B1 4/2014 Walsh
D787,011 S 5/2017 Zhang

1 Claim, 8 Drawing Sheets



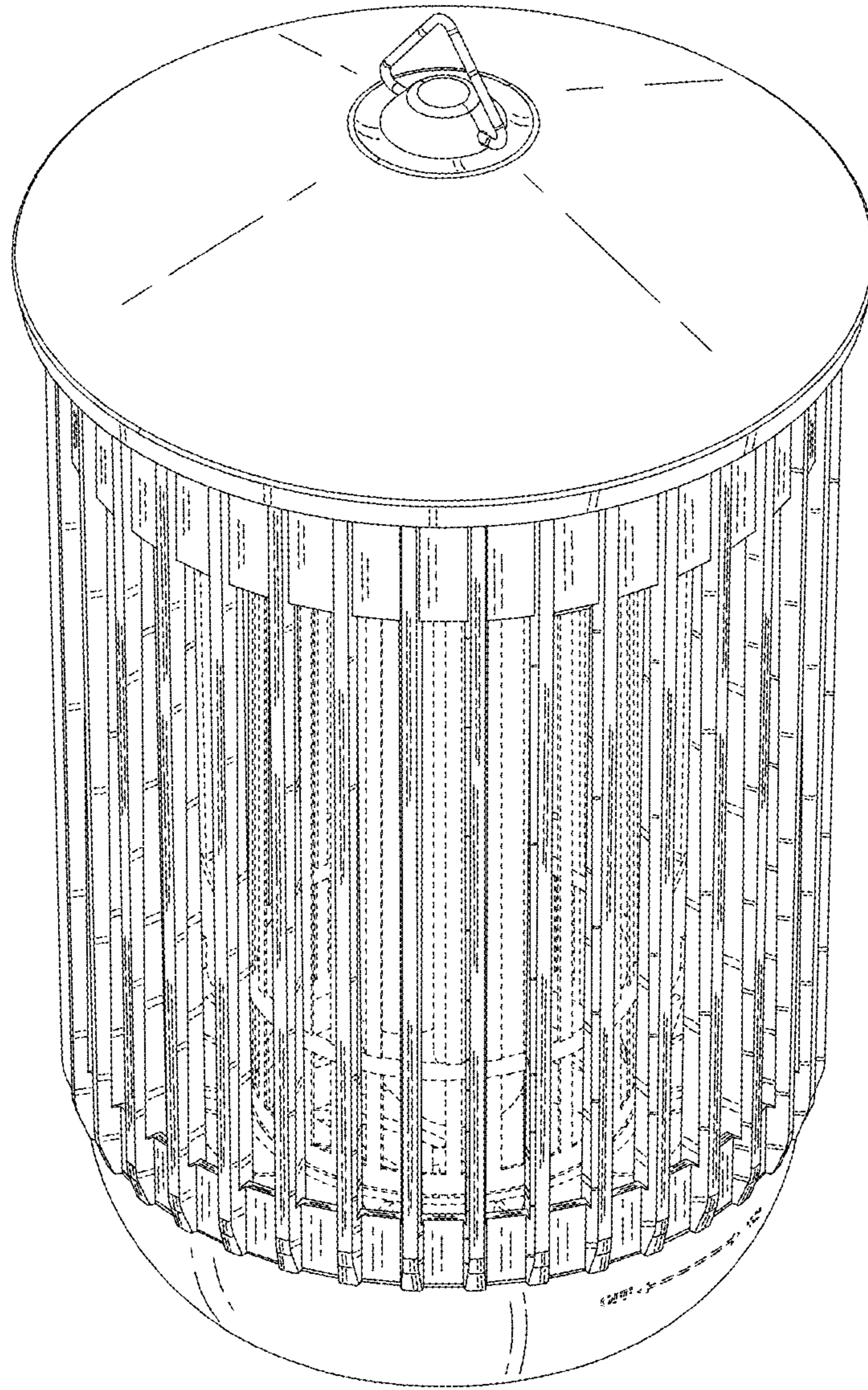


FIG.1

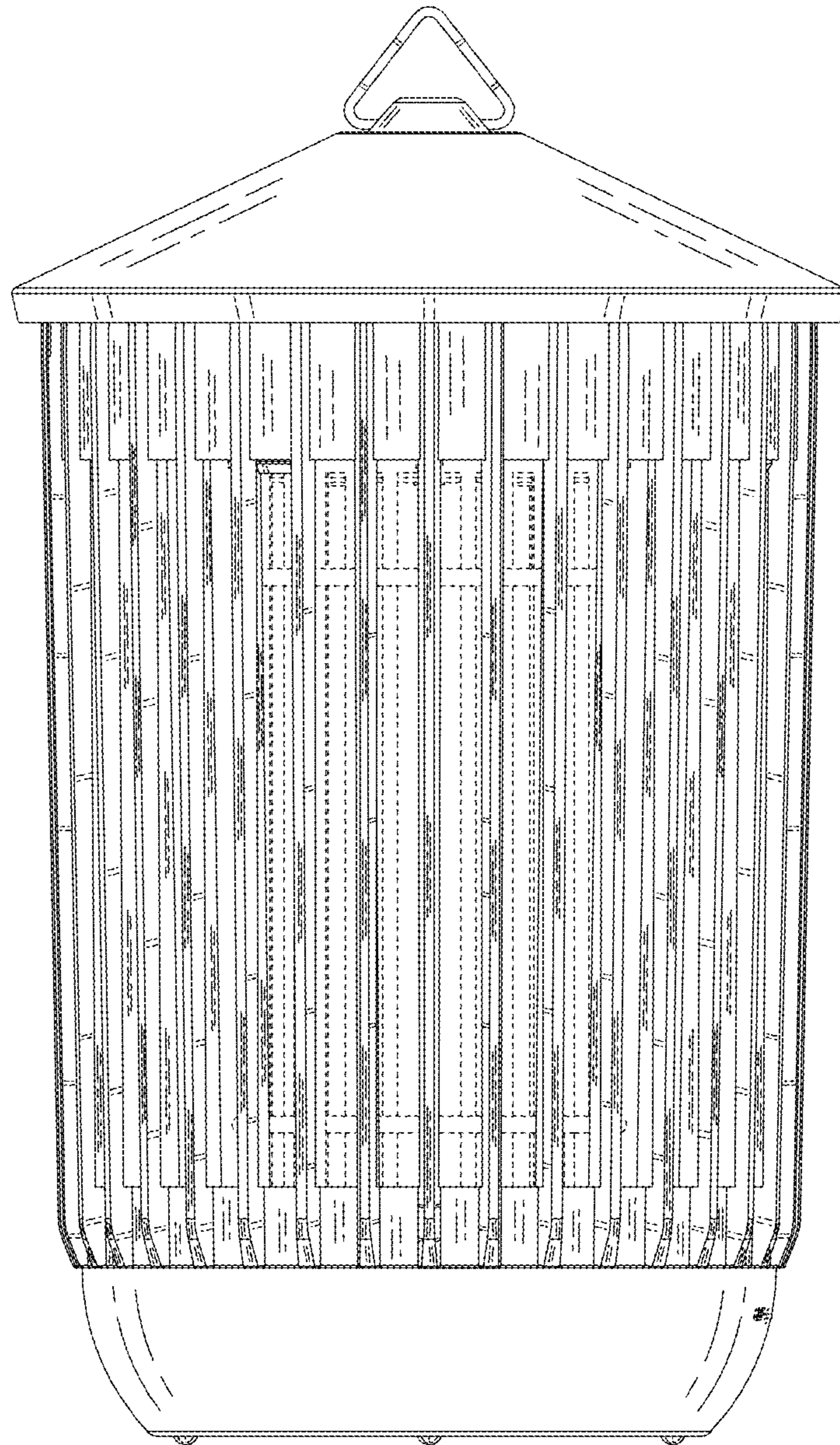


FIG.2

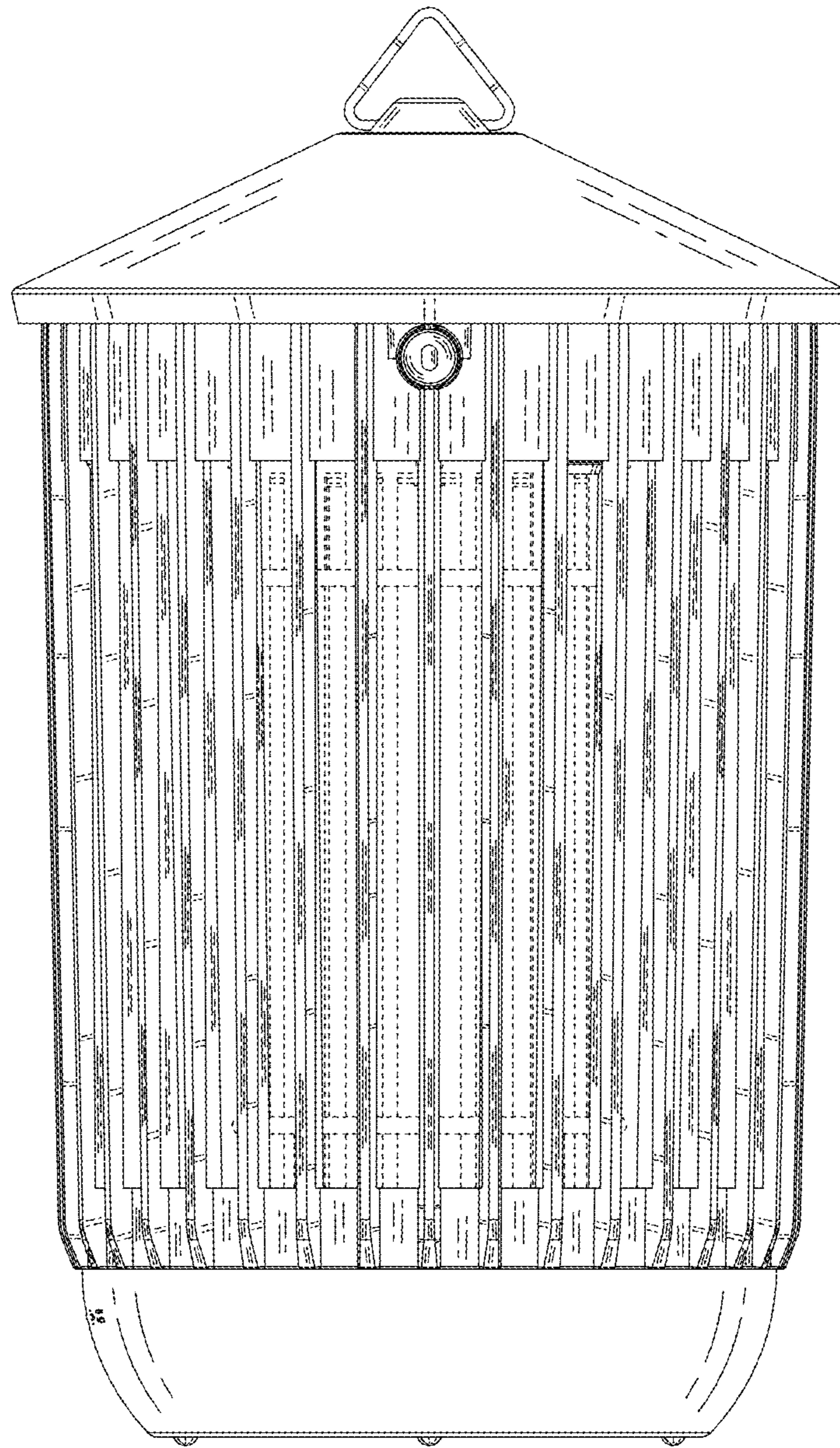


FIG. 3

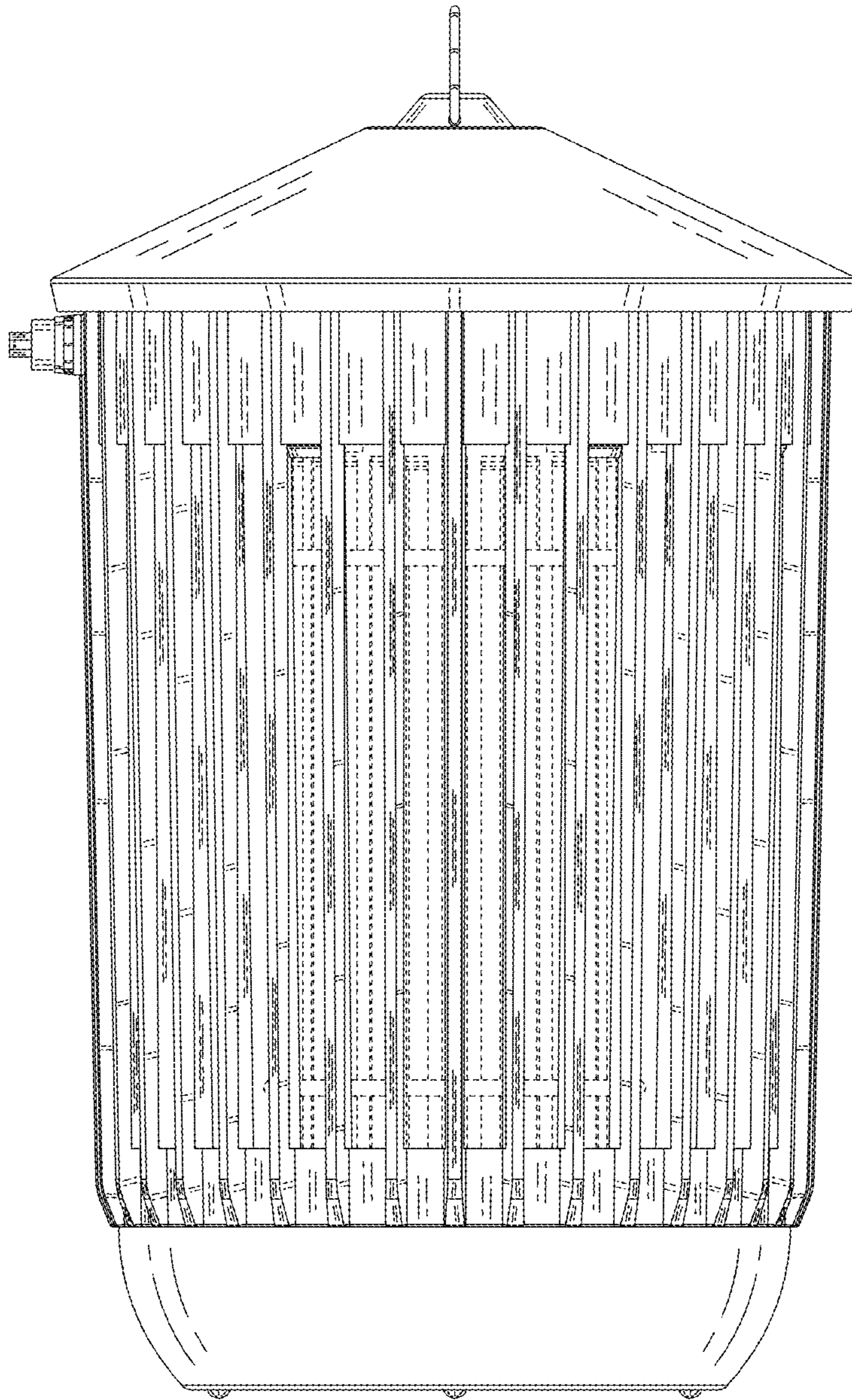


FIG.4

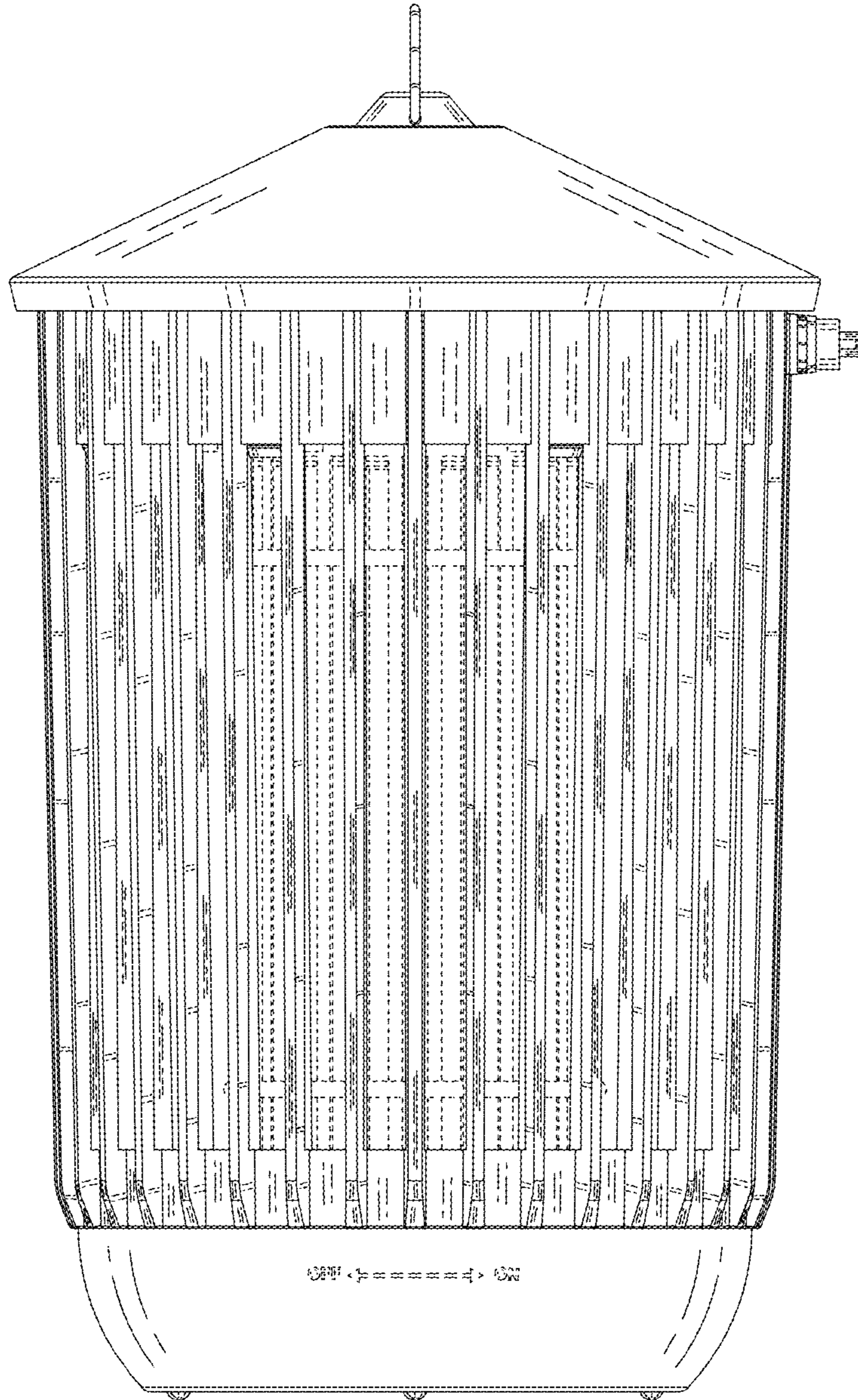


FIG. 5

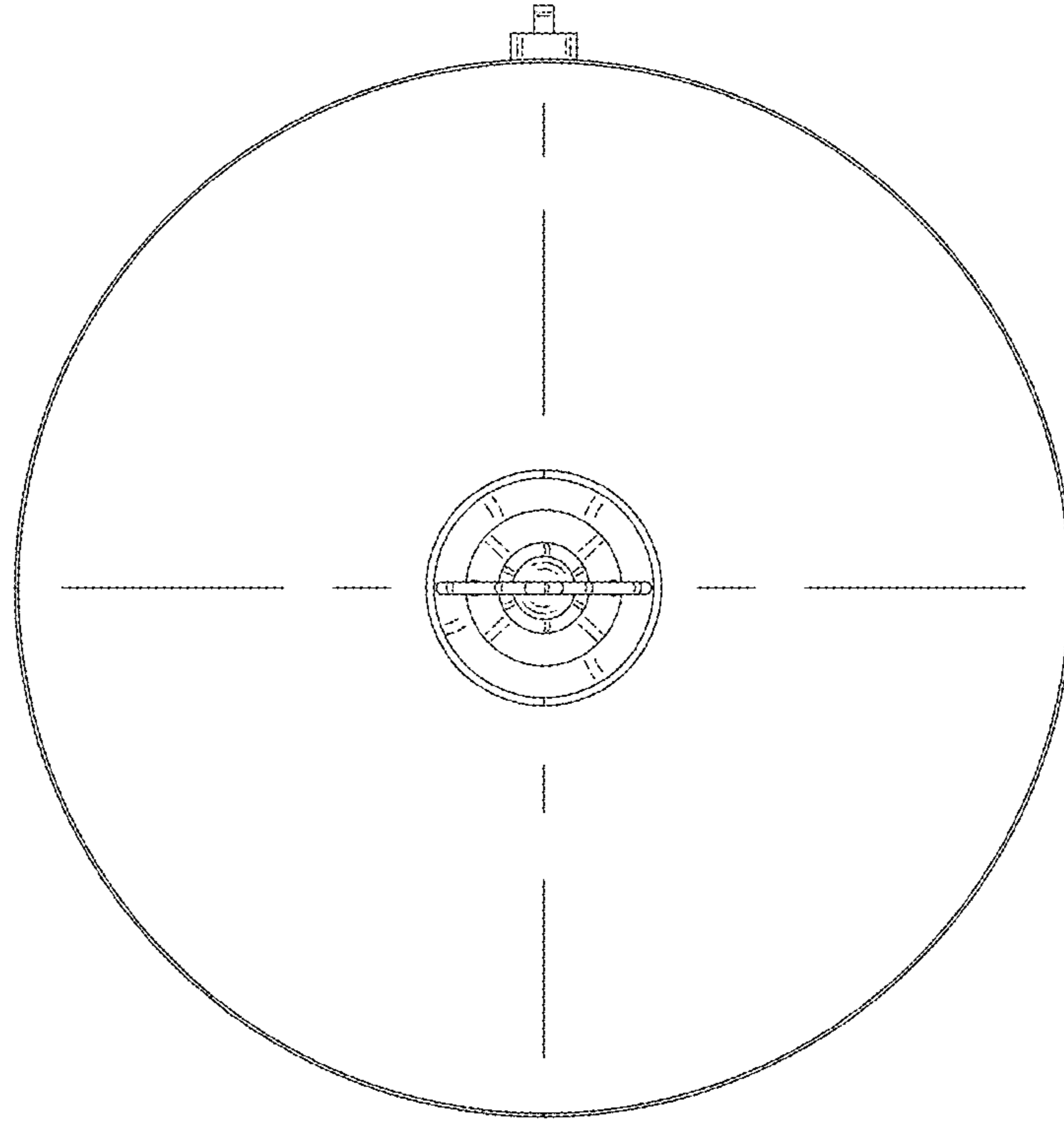


FIG.6

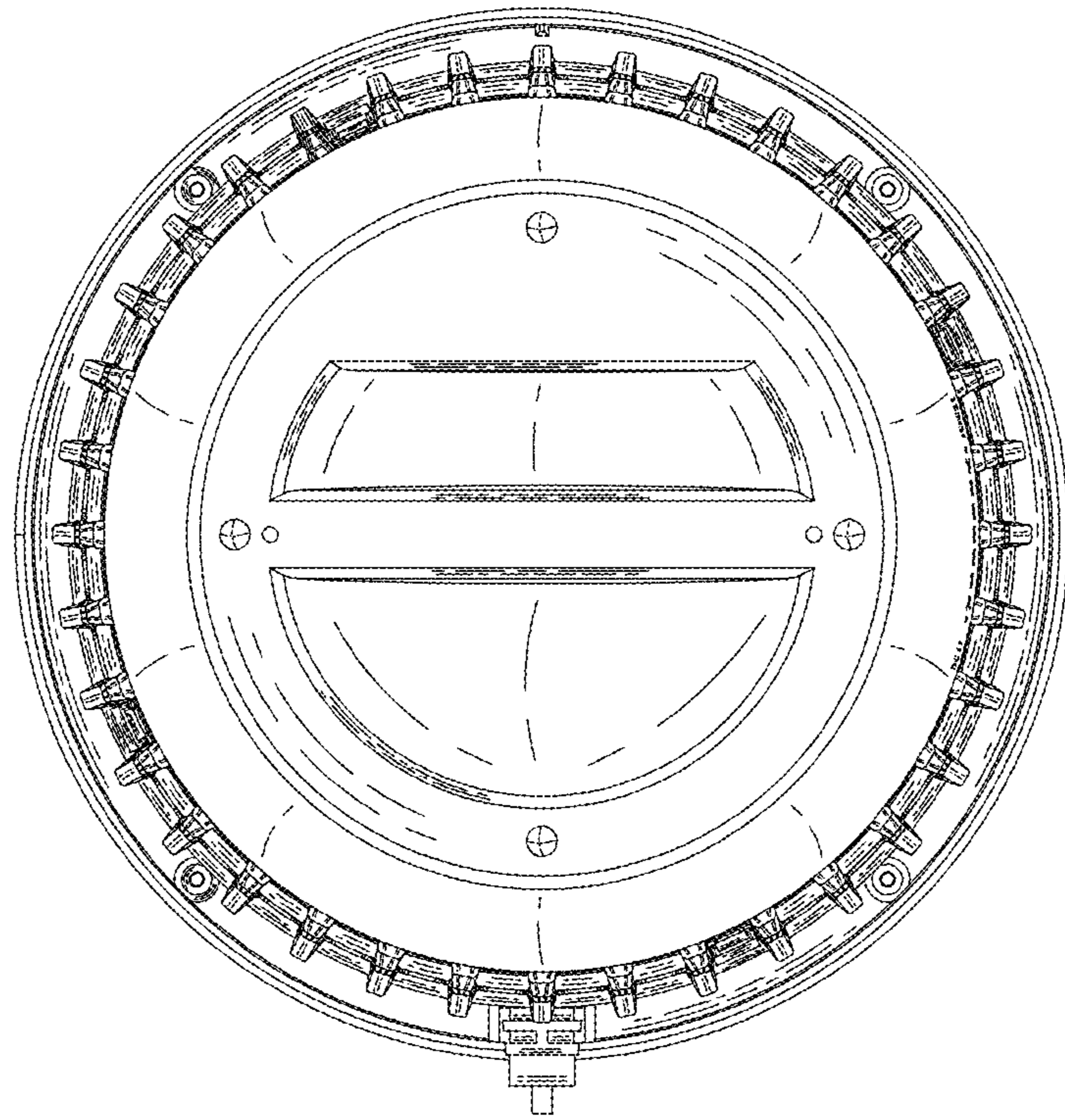


FIG.7

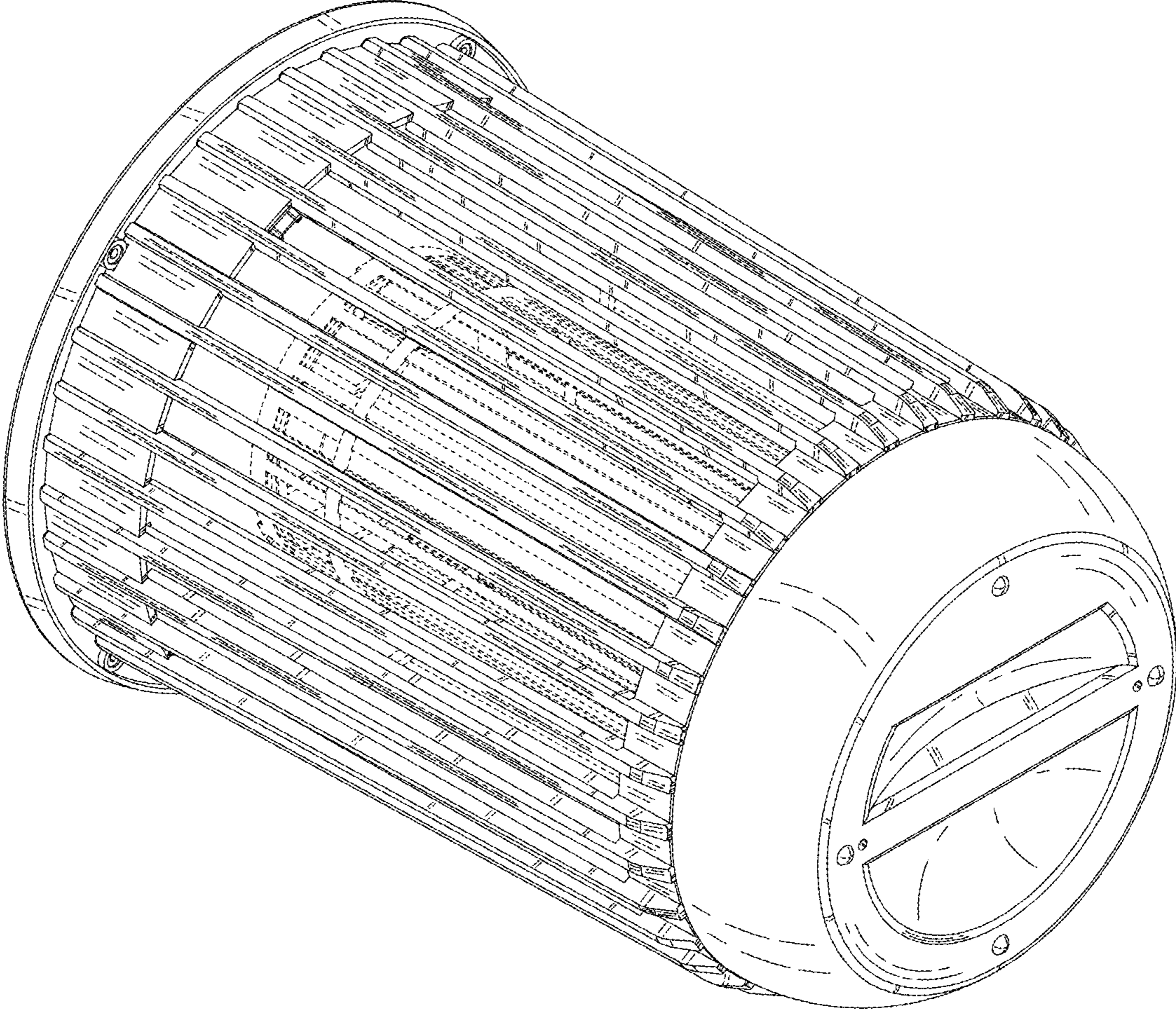


FIG.8