



US00D970678S

(12) **United States Design Patent** (10) **Patent No.:** **US D970,678 S**
Mei (45) **Date of Patent:** **** Nov. 22, 2022**

(54) **BULLET CLIP**
(71) Applicant: **Ziwei Mei**, Shenzhen (CN)
(72) Inventor: **Ziwei Mei**, Shenzhen (CN)
(**) Term: **15 Years**

(21) Appl. No.: **29/809,852**
(22) Filed: **Sep. 30, 2021**
(51) **LOC (13) Cl.** **22-01**
(52) **U.S. Cl.**
USPC **D22/108**
(58) **Field of Classification Search**
USPC D22/108, 109, 110
CPC F41G 1/16; F41G 1/02; F41G 1/06; F41G
1/14; F41G 1/38; F41G 1/40; F41A 9/65
See application file for complete search history.

(56) **References Cited**

U.S. PATENT DOCUMENTS

D344,780 S * 3/1994 Jenkins D22/108
D362,044 S * 9/1995 Sniezak D22/100
D487,790 S * 3/2004 Freed D22/108
8,590,202 B2 * 11/2013 Keng F41C 27/00
42/90
D700,266 S 2/2014 Tal et al.
9,097,480 B2 * 8/2015 Keng F41A 23/08
D738,454 S * 9/2015 Smith D22/108
9,772,151 B1 * 9/2017 Sanderson F41A 9/64
D798,983 S * 10/2017 Chen D22/108
D799,631 S * 10/2017 Chen D22/108
D808,491 S * 1/2018 Chen D22/108
D808,492 S * 1/2018 Chen D22/108
D812,176 S * 3/2018 Kielsmeier D22/108
D817,435 S * 5/2018 Chen D22/108
D823,975 S * 7/2018 Anderson D22/108
D838,333 S * 1/2019 Kielsmeier D22/108
D841,758 S * 2/2019 Novak F41A 35/00
D22/108
D868,925 S * 12/2019 Novak D22/108
D888,181 S * 6/2020 Chin D22/108
D889,587 S * 7/2020 Wallgren D22/108

D917,649 S * 4/2021 Thomele D22/108
D921,150 S 6/2021 Chen
2002/0029506 A1 * 3/2002 Wollmann F41A 9/65
42/50
2017/0146309 A1 * 5/2017 Biran F41A 17/38
2018/0347929 A1 * 12/2018 Hsu F41A 9/71
2019/0195584 A1 * 6/2019 Thomele F41A 9/70
2019/0226778 A1 * 7/2019 Cross F41A 9/63

FOREIGN PATENT DOCUMENTS

CN 306462447 S 4/2021
CN 306649007 S 6/2021

OTHER PUBLICATIONS

“Magazine Base Plate Plus-Up—7 Aftermarket Advantages” [online].
David Workman. [Published on Mar. 31, 2021]. Retrieved from the
Internet: <<https://gunmagwarehouse.com/blog/magazine-base-plate-plus-up-7-aftermarket-advantages/>>.*

* cited by examiner

Primary Examiner — Mojtaba Tehrani

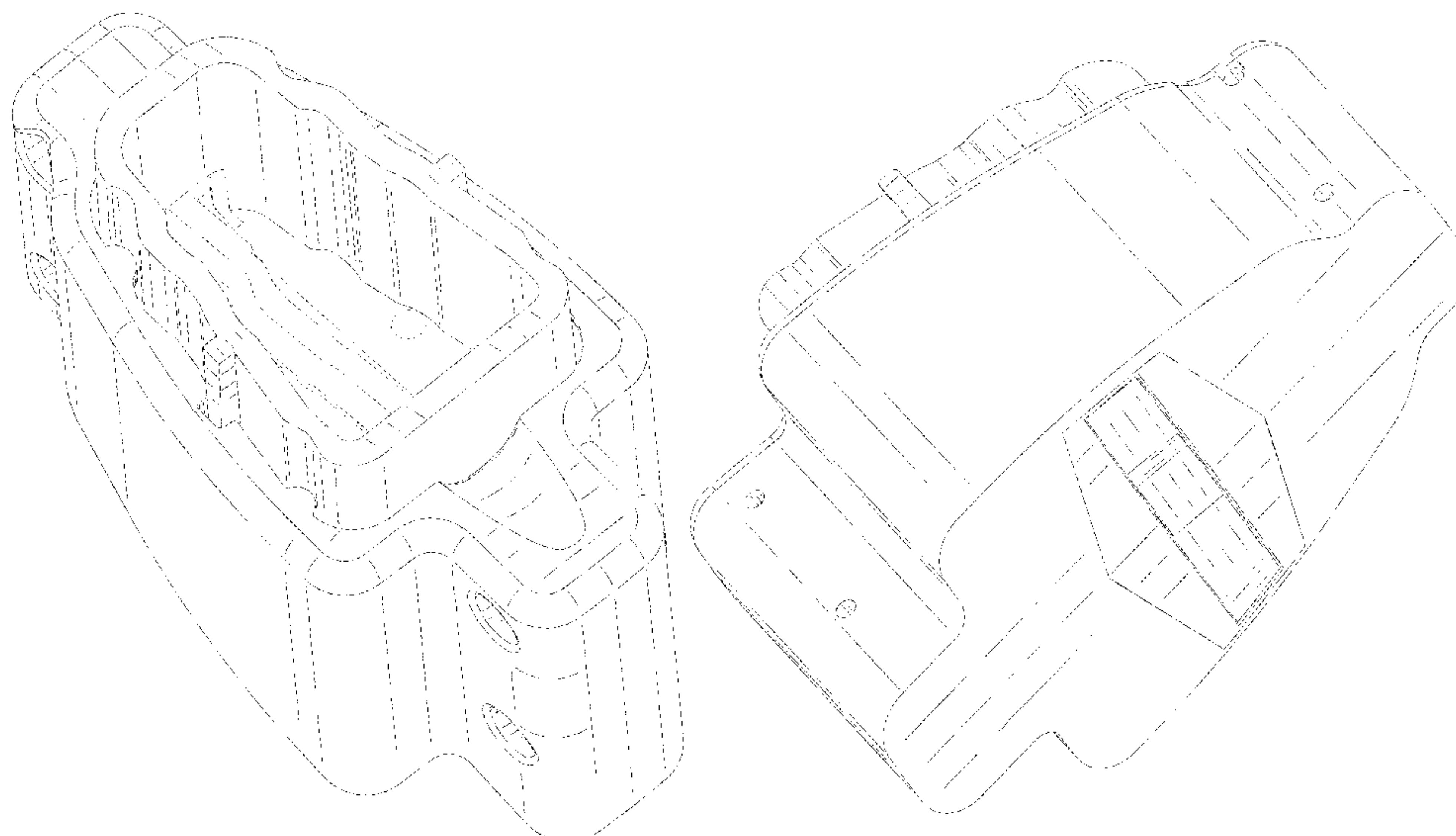
(57) **CLAIM**

The ornamental design for a bullet clip, as shown and described.

DESCRIPTION

FIG. 1 is a top, rear and right side perspective view of bullet clip, showing my new design;
FIG. 2 is a bottom and left side perspective view thereof;
FIG. 3 is a rear elevational view thereof;
FIG. 4 is a front elevational view thereof;
FIG. 5 is a right side elevational view thereof;
FIG. 6 is a left side elevational view thereof;
FIG. 7 is a top plan view thereof; and,
FIG. 8 is a bottom plan view thereof.
The broken lines in the drawings illustrate the portions of the bullet clip, which form no part of the claimed design.

1 Claim, 8 Drawing Sheets



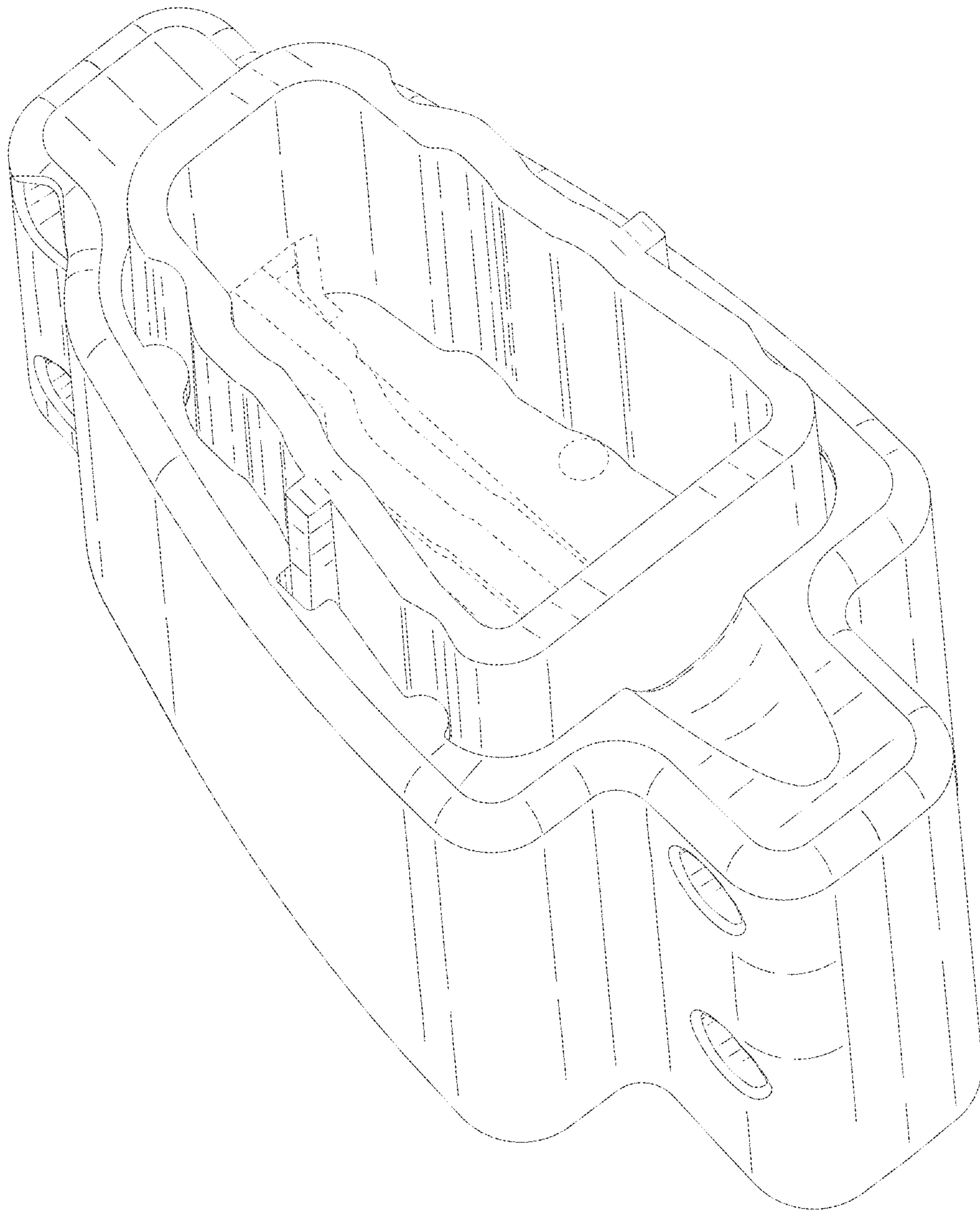


FIG.1

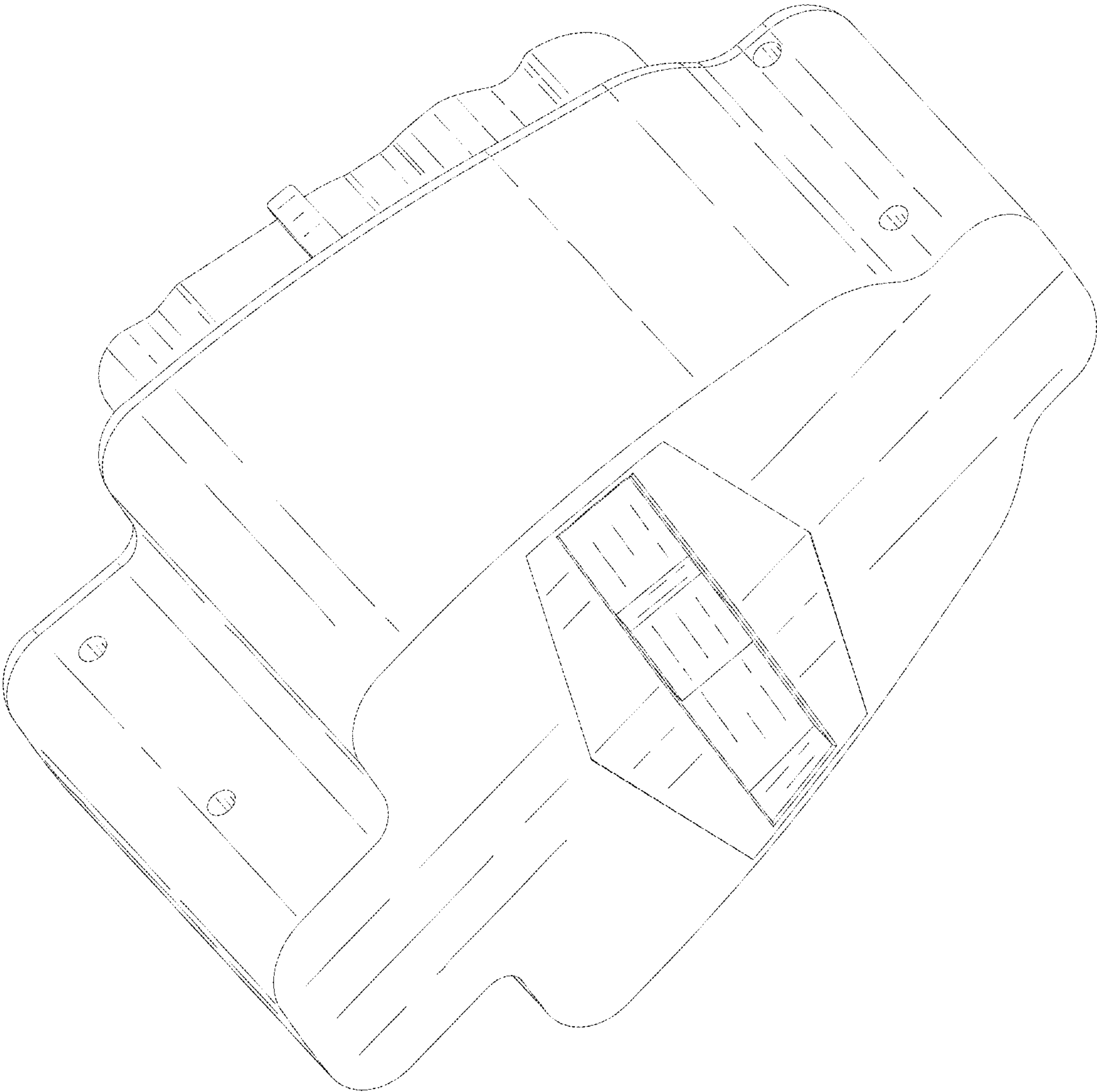


FIG.2

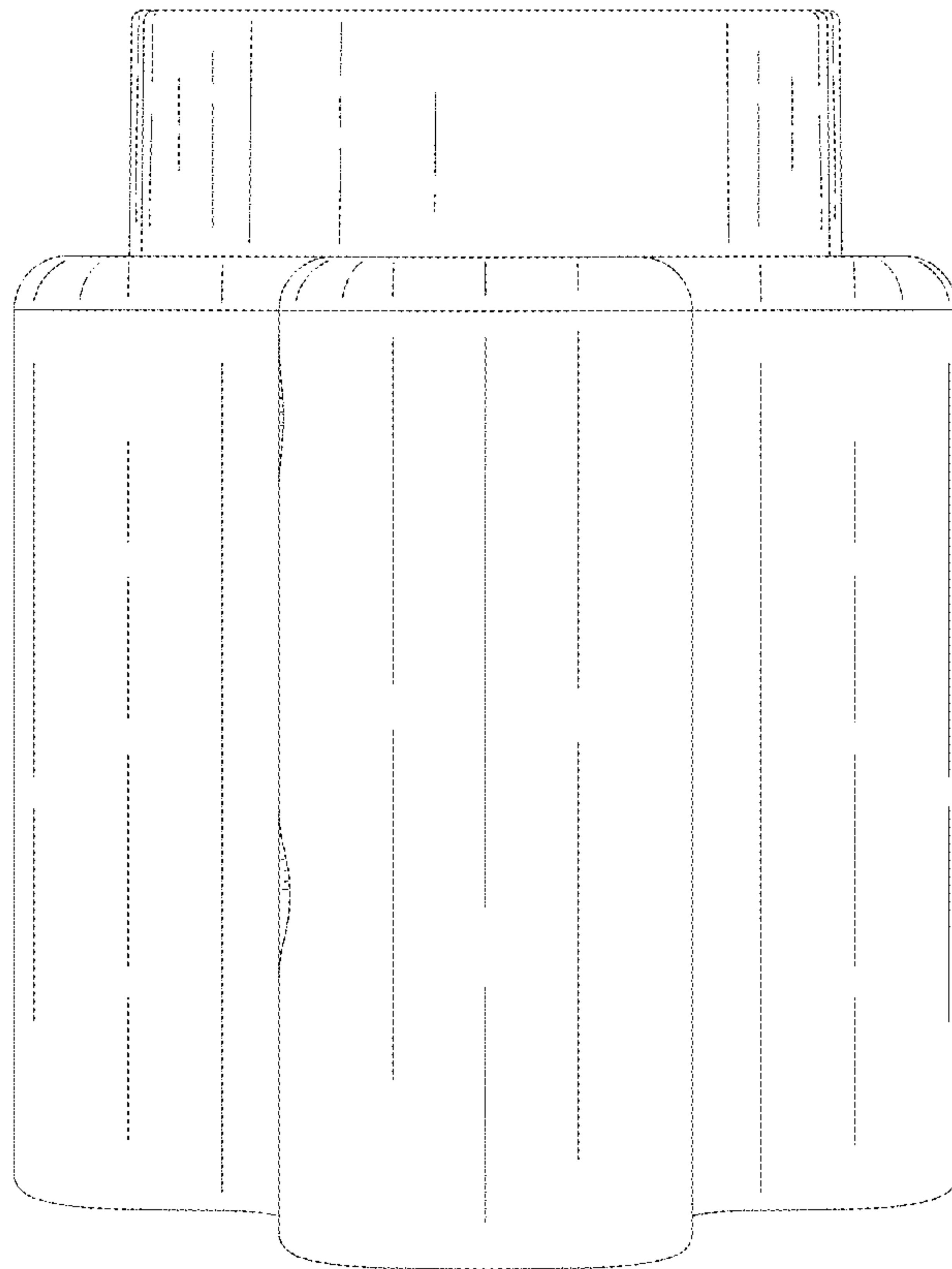


FIG.3

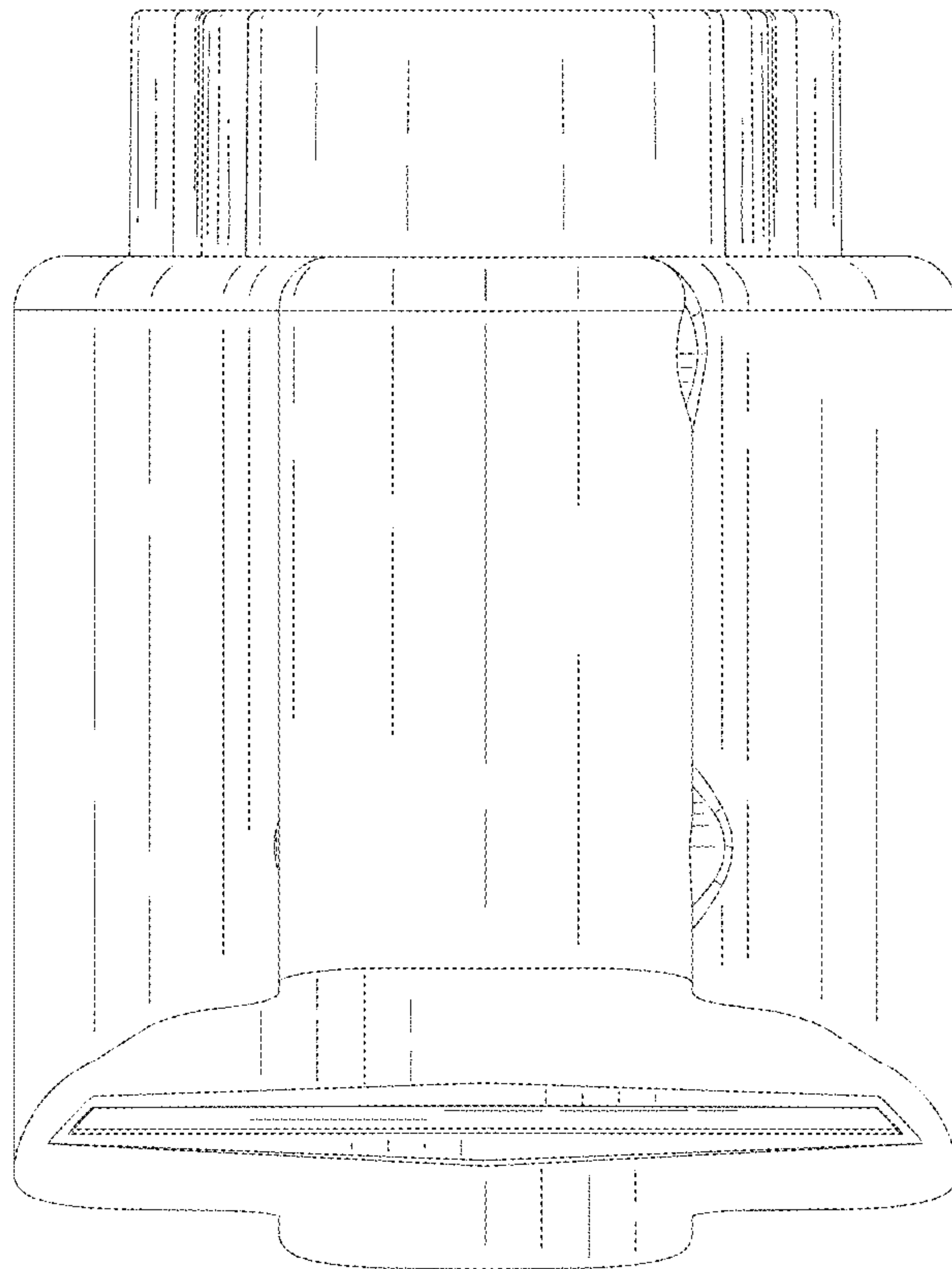


FIG.4

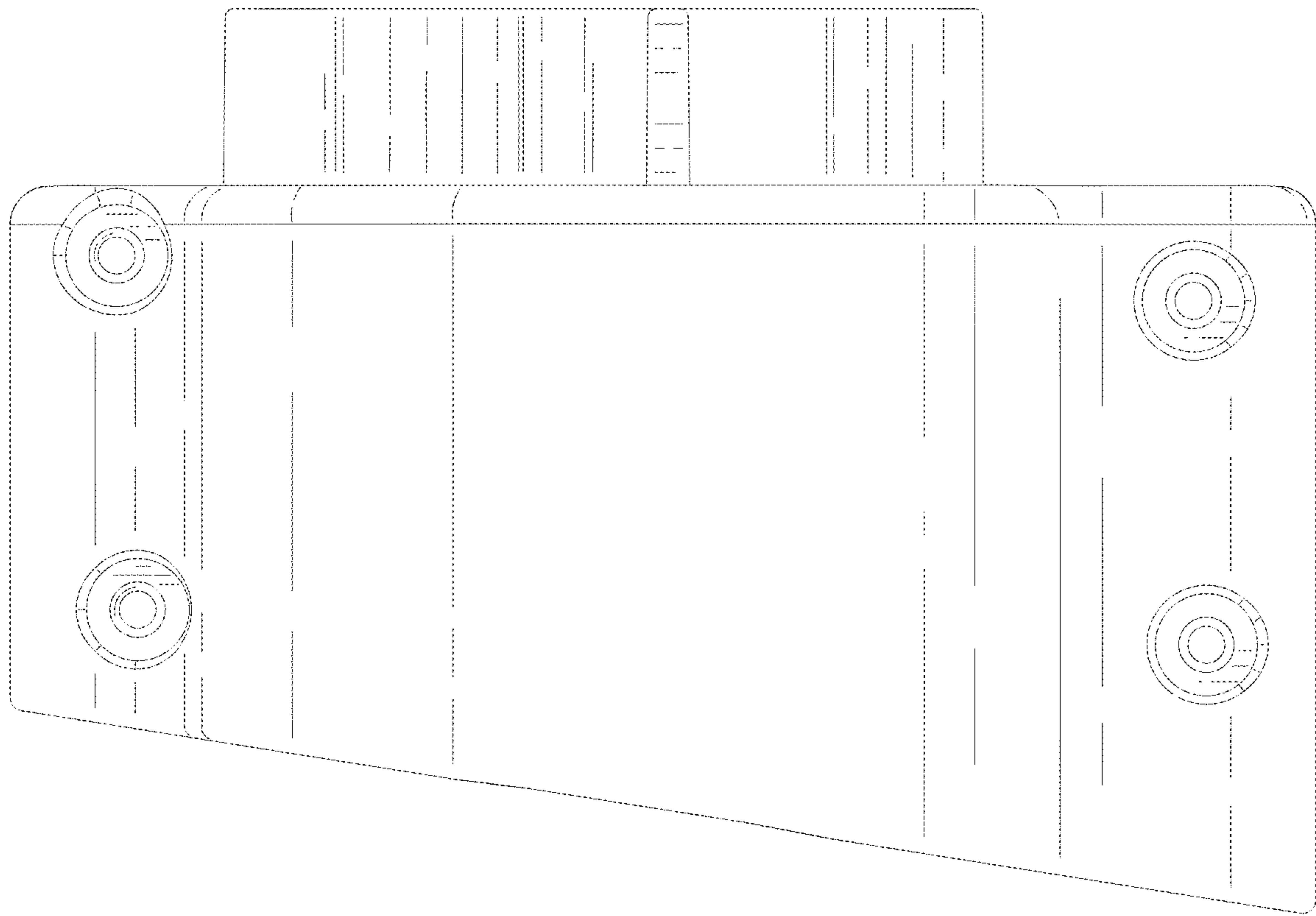


FIG.5

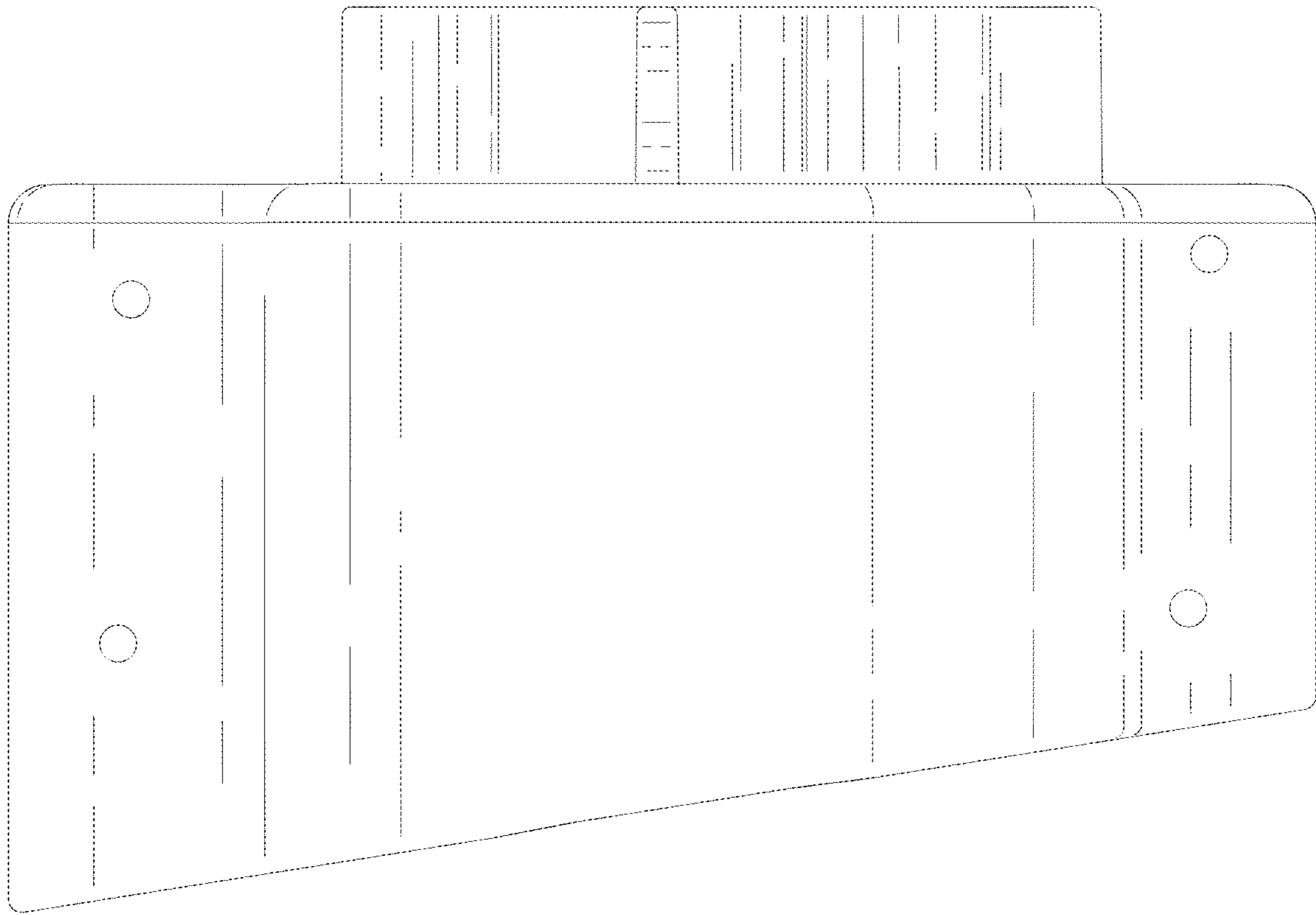


FIG.6

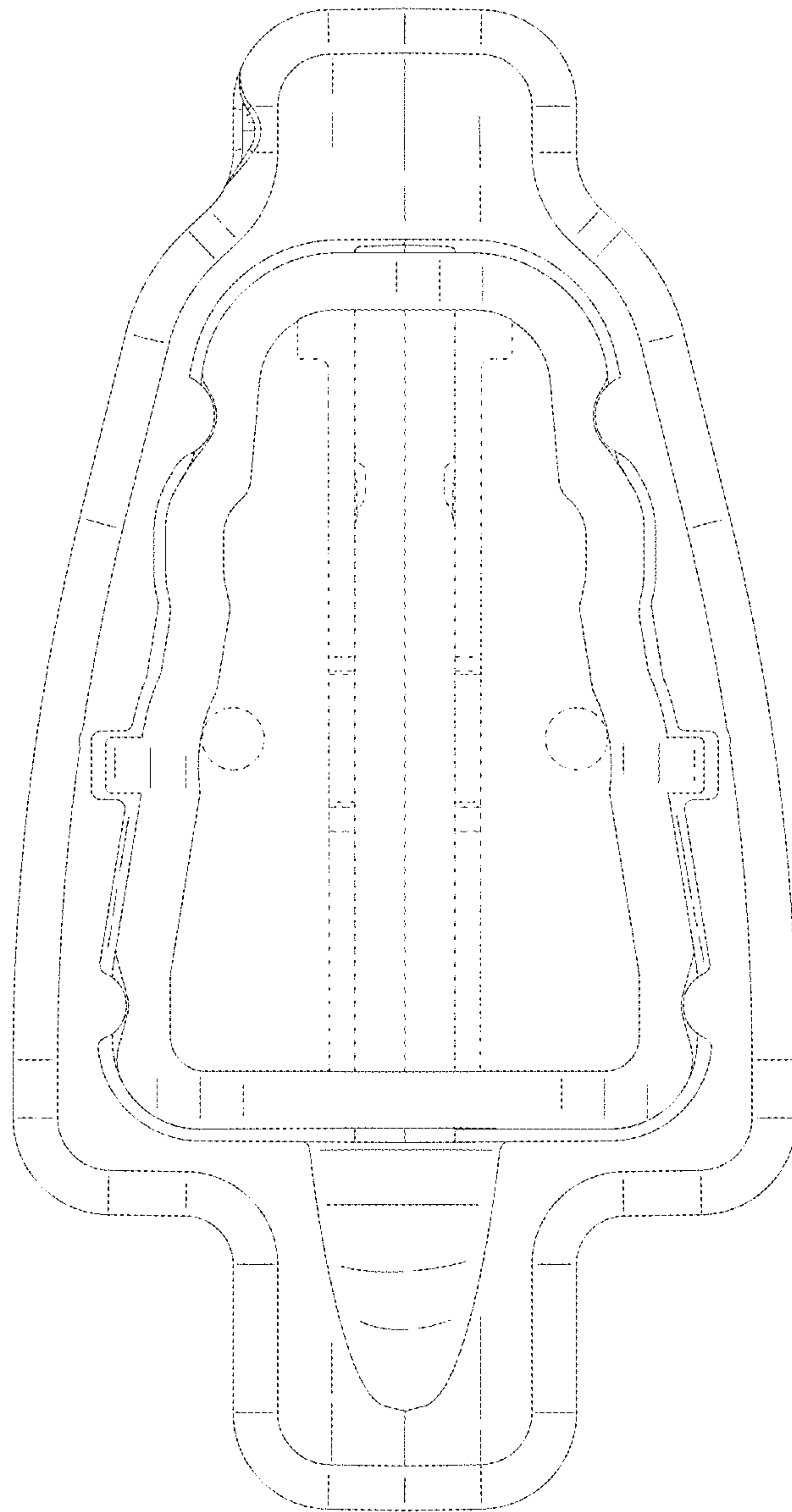


FIG. 7

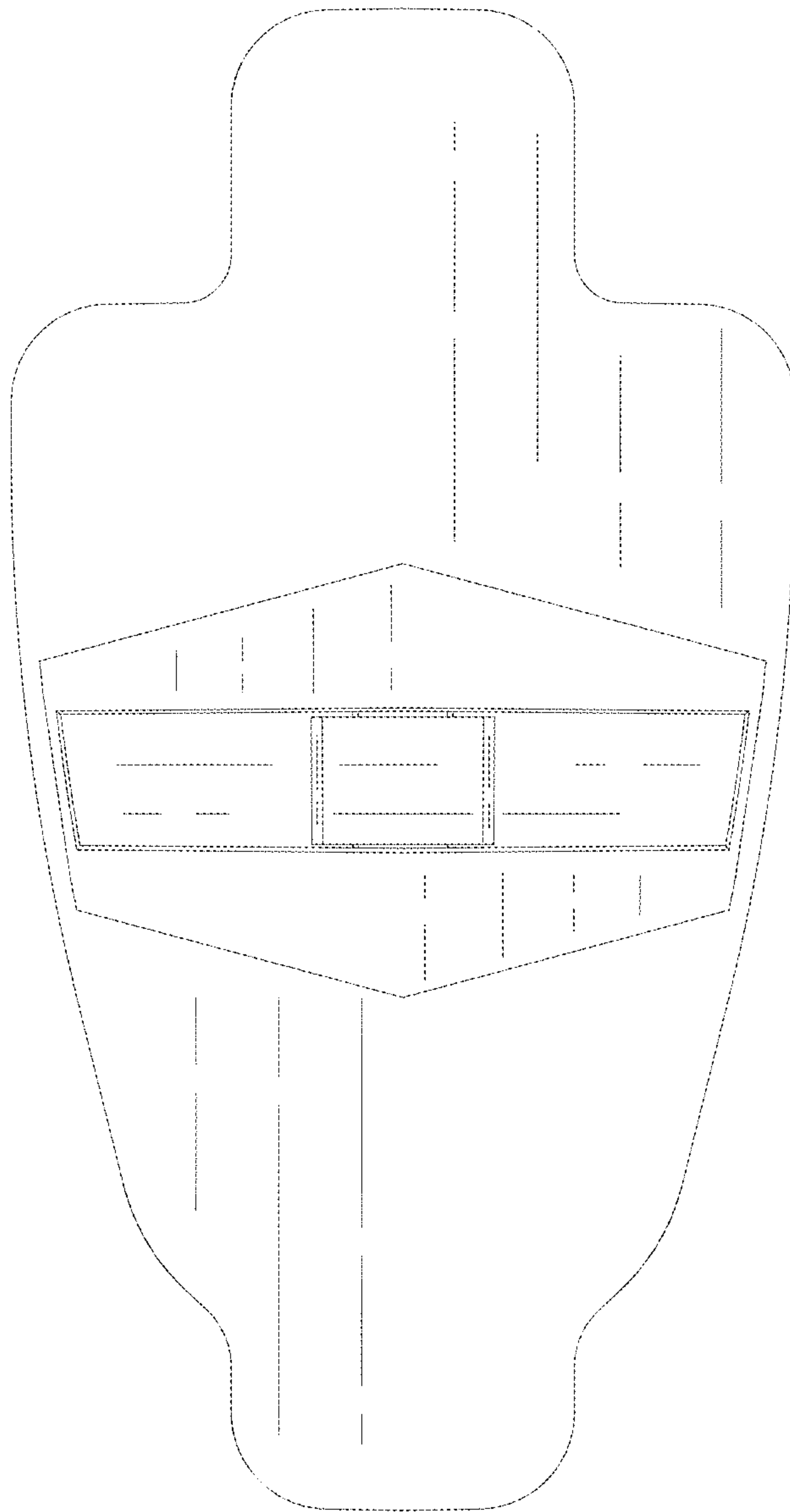


FIG.8