

US00D970677S

(12) **United States Design Patent**
Pittman

(10) **Patent No.:** **US D970,677 S**

(45) **Date of Patent:** **** Nov. 22, 2022**

(54) **LIGHT MOUNT**

(71) Applicant: **Impact Weapons Components, LLC,**
Timnath, CO (US)

(72) Inventor: **Earl L. Pittman,** Fort Collins, CO (US)

(73) Assignee: **Impact Weapons Components, LLC,**
Timnath, CO (US)

(**) Term: **15 Years**

(21) Appl. No.: **29/765,000**

(22) Filed: **Jan. 5, 2021**

Related U.S. Application Data

(63) Continuation of application No. 29/730,371, filed on Apr. 3, 2020, now Pat. No. Des. 910,798, which is a continuation of application No. 29/668,884, filed on Nov. 2, 2018, now Pat. No. Des. 885,509.

(51) **LOC (13) Cl.** **22-01**

(52) **U.S. Cl.**
USPC **D22/108**

(58) **Field of Classification Search**
USPC D22/100, 107, 108, 109, 110, 113, 114,
D22/199; D21/567, 570, 571
CPC . F41G 11/003; F41G 1/14; F41G 1/38; F41G
1/16; F41G 1/02; F41G 1/06; F41A
23/005; F41C 23/16
See application file for complete search history.

(56) **References Cited**

U.S. PATENT DOCUMENTS

4,905,396 A * 3/1990 Bechtel F41G 11/003
42/124
D573,443 S * 7/2008 Swan D8/343
D586,875 S * 2/2009 Swan D22/109
D600,311 S * 9/2009 Swan D22/109
D607,959 S * 1/2010 Moody D22/109
D670,352 S * 11/2012 Norberg D22/108

D708,694 S * 7/2014 Wells D22/108
D724,687 S * 3/2015 Pittman D22/108
D725,223 S * 3/2015 Heidkamp D22/109
D733,246 S * 6/2015 Wells D22/108
D733,249 S * 6/2015 Cheng D22/109
D754,274 S * 4/2016 Geissele D22/108
D756,763 S * 5/2016 Swan D22/109
D758,518 S * 6/2016 Daniel D22/108

(Continued)

OTHER PUBLICATIONS

“Impact Weapons Components, Thorntail Offset Adaptive Mount, Fits SBR, Black Finish, Thorntail SBR Offset Adaptive Light Mount—Scout” [online]. Impact Weapons Components. [Date first available Jan. 8, 2014]. Retrieved from the Internet: <https://www.amazon.com/dp/B00HRFDO68>.*

(Continued)

Primary Examiner — Mojtaba Tehrani

(74) *Attorney, Agent, or Firm* — Cooley LLP

(57) **CLAIM**

The ornamental design for a light mount, as shown and described.

DESCRIPTION

FIG. 1 is a perspective view of a second embodiment of the light mount;

FIG. 2 is another perspective view of the second embodiment;

FIG. 3 is a front view of the second embodiment;

FIG. 4 is a back view of the second embodiment;

FIG. 5 is a top view of the second embodiment;

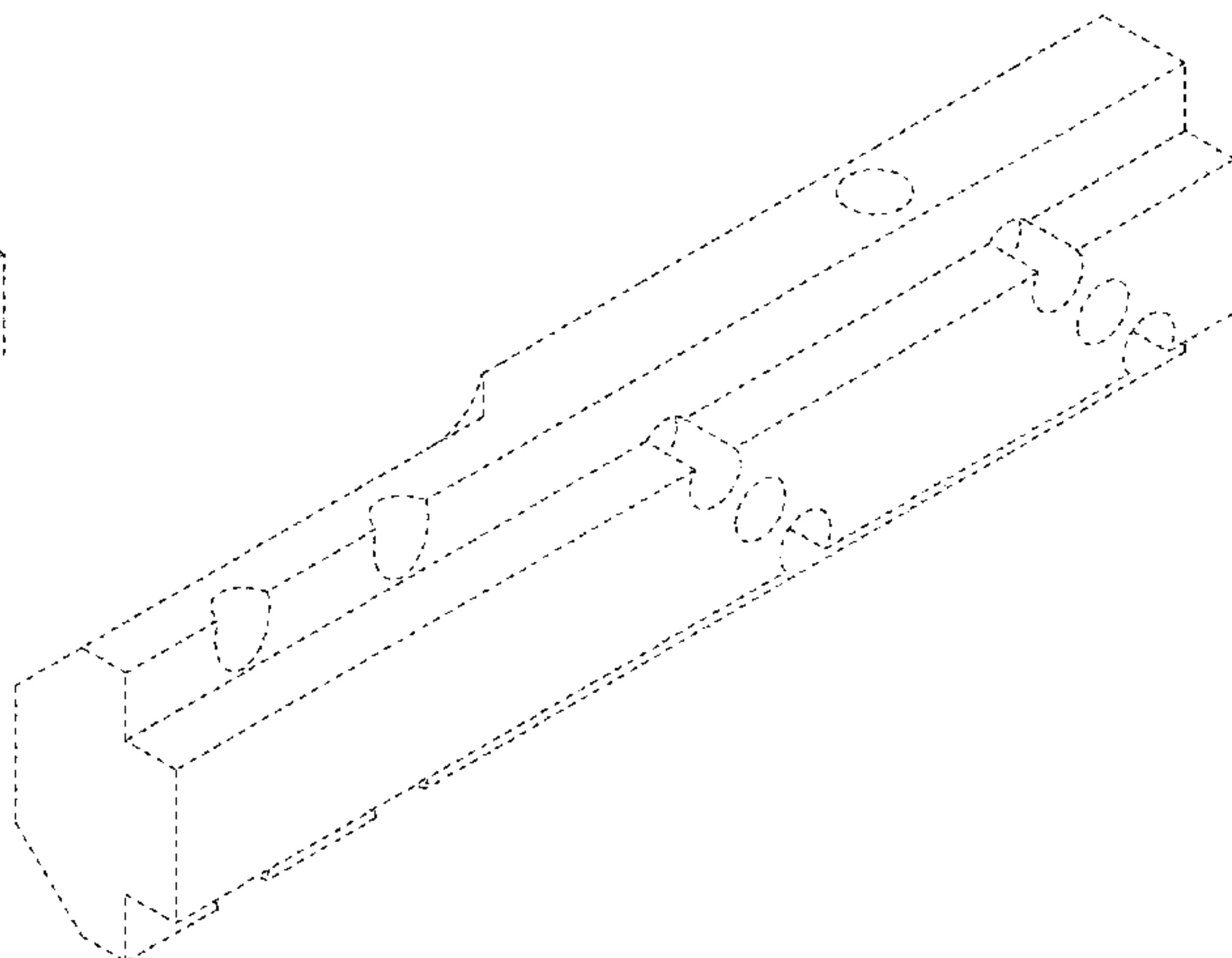
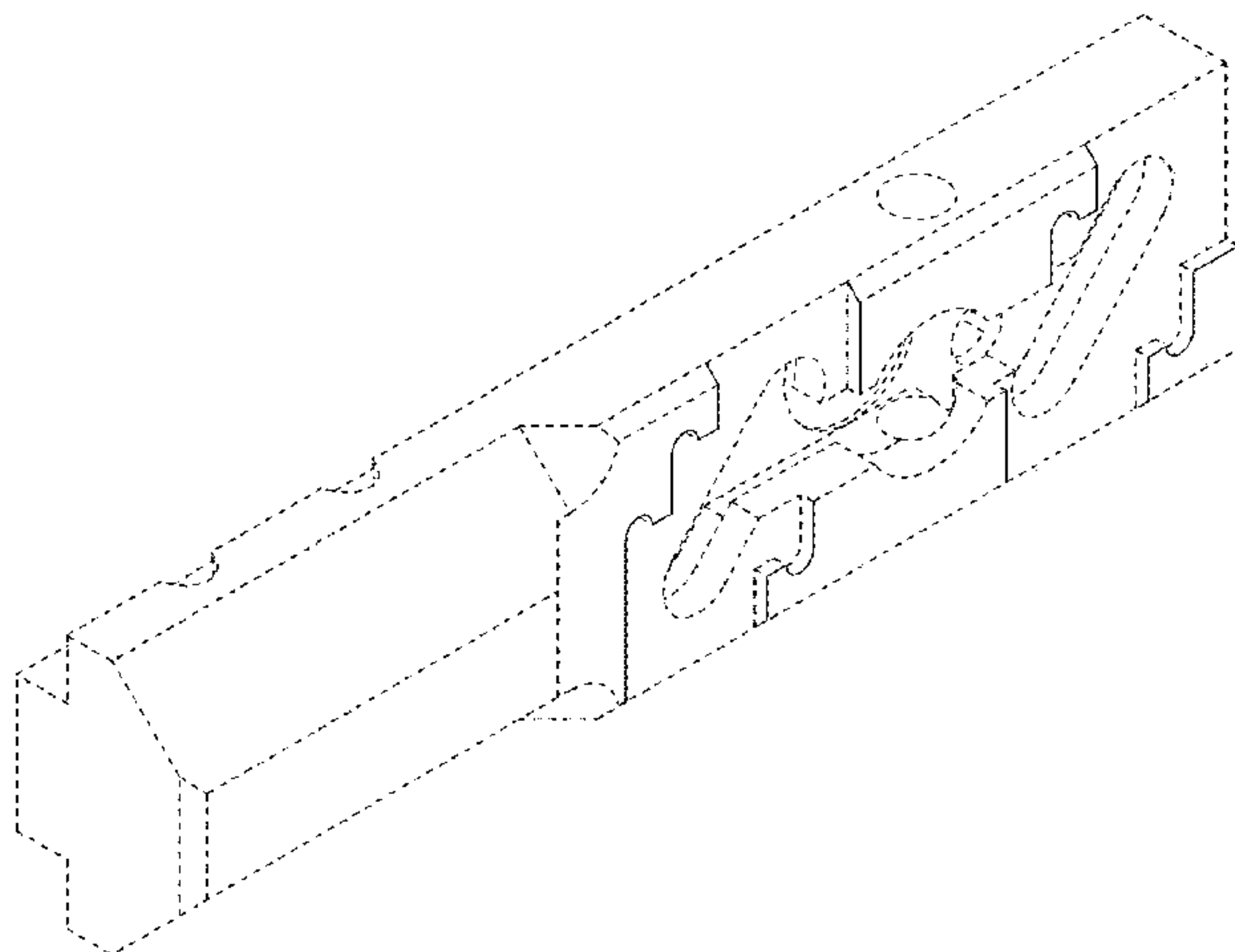
FIG. 6 is a bottom view of the second embodiment;

FIG. 7 is a left side view of the second embodiment; and,

FIG. 8 is a right side view of the second embodiment.

The broken lines in the drawings depict unclaimed portions of the light mount only and form no part of the claimed design.

1 Claim, 8 Drawing Sheets



(56)

References Cited

U.S. PATENT DOCUMENTS

D762,111	S *	7/2016	Pittman	D8/397
9,625,233	B2 *	4/2017	Daniel	F41G 11/003
D794,322	S *	8/2017	Wasankari	D3/211
D813,973	S *	3/2018	McKillips	D22/109
9,964,380	B1 *	5/2018	Oglesby	F41C 23/16
D827,759	S *	9/2018	Jen	D22/108
D828,898	S *	9/2018	McKillips	D22/108
D835,745	S *	12/2018	Storch	D22/108
10,473,432	B2 *	11/2019	Jen	F41G 11/003
D885,509	S *	5/2020	Pittman	D22/108
10,767,964	B1 *	9/2020	Echols	F41G 11/001
D910,798	S *	2/2021	Pittman	D22/108
D949,278	S *	4/2022	Roberson	D22/109
D949,279	S *	4/2022	Roberson	D22/109
D954,169	S *	6/2022	Zimmer	D22/109
2015/0219422	A1 *	8/2015	Kincel	F41G 11/003
					29/525.11

OTHER PUBLICATIONS

“Magpul M-LOK Extended Cantilever Scout Mount, Black” [online].
 Magpul. [Date first available Jul. 11, 2018]. Retrieved from the
 Internet: <<https://www.amazon.com/dp/B079576CVK>>.*
 “TXTactical Low Profile Scout Light Mount, Scout M300/600
 Mount Compatible with M Lok Systems” [online], TXTactical.
 [Date first available Dec. 18, 2020]. Retrieved from the Internet:
 <<https://www.amazon.com/dp/B08QYQQR4>>.*

* cited by examiner

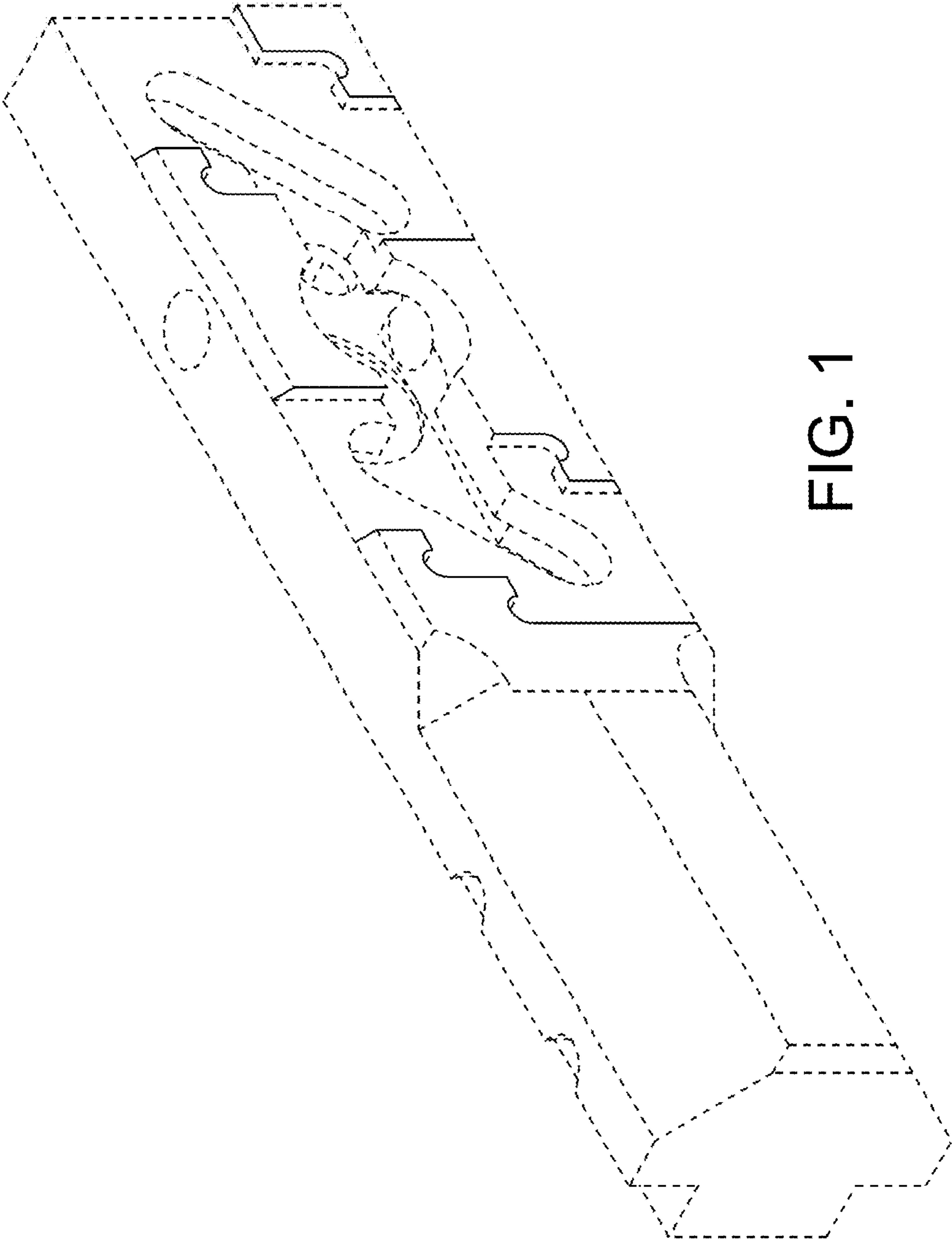


FIG. 1

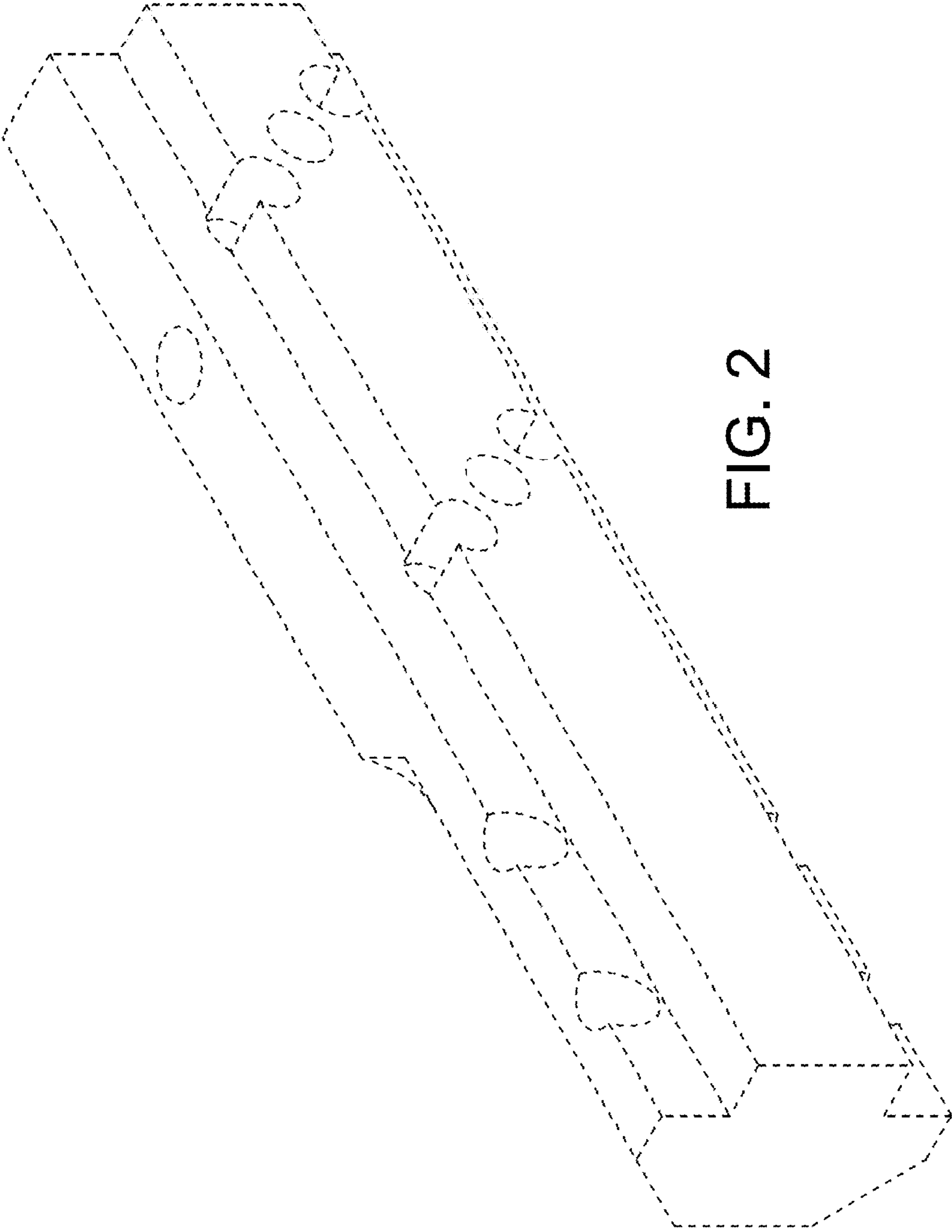


FIG. 2

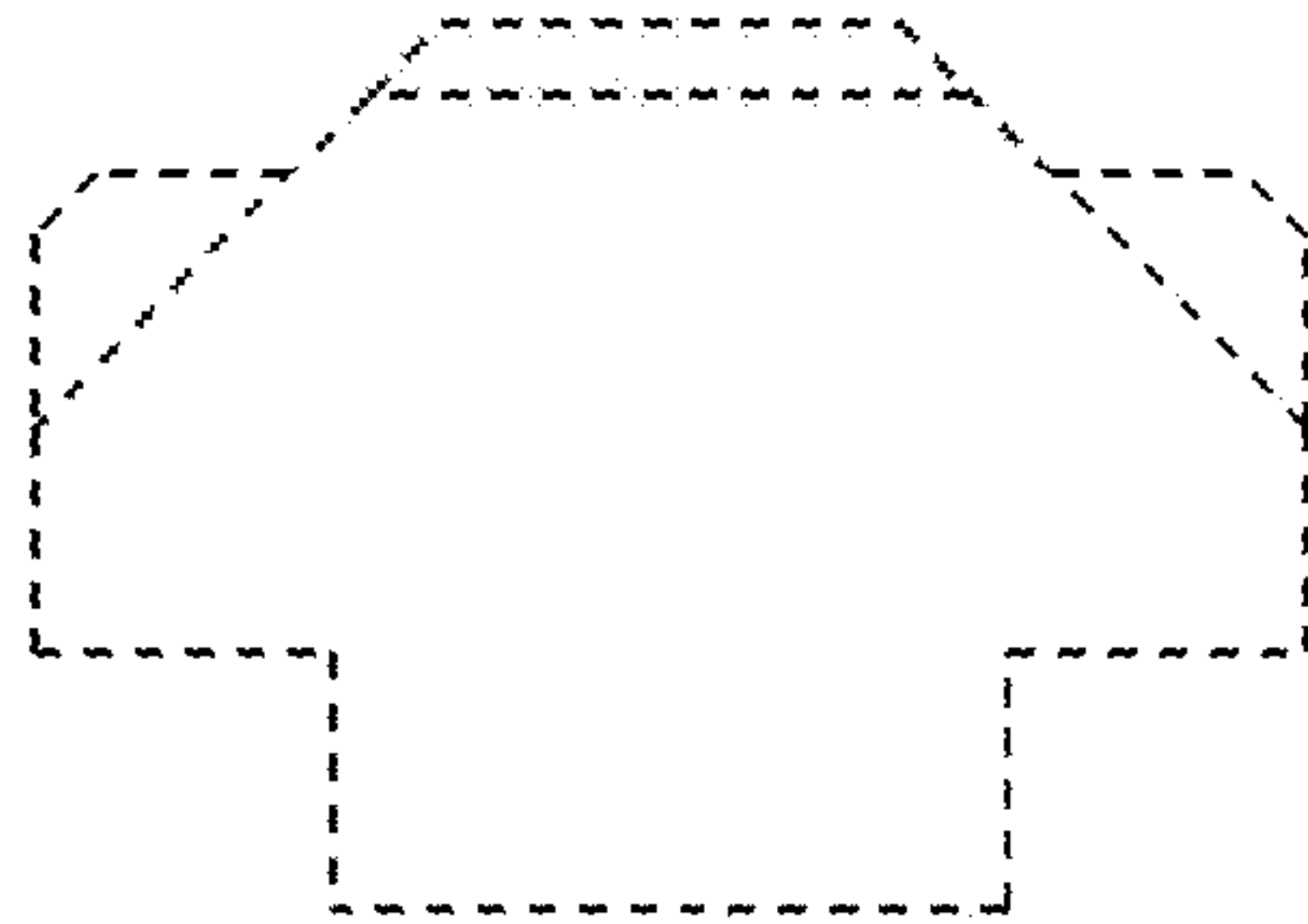


FIG. 3

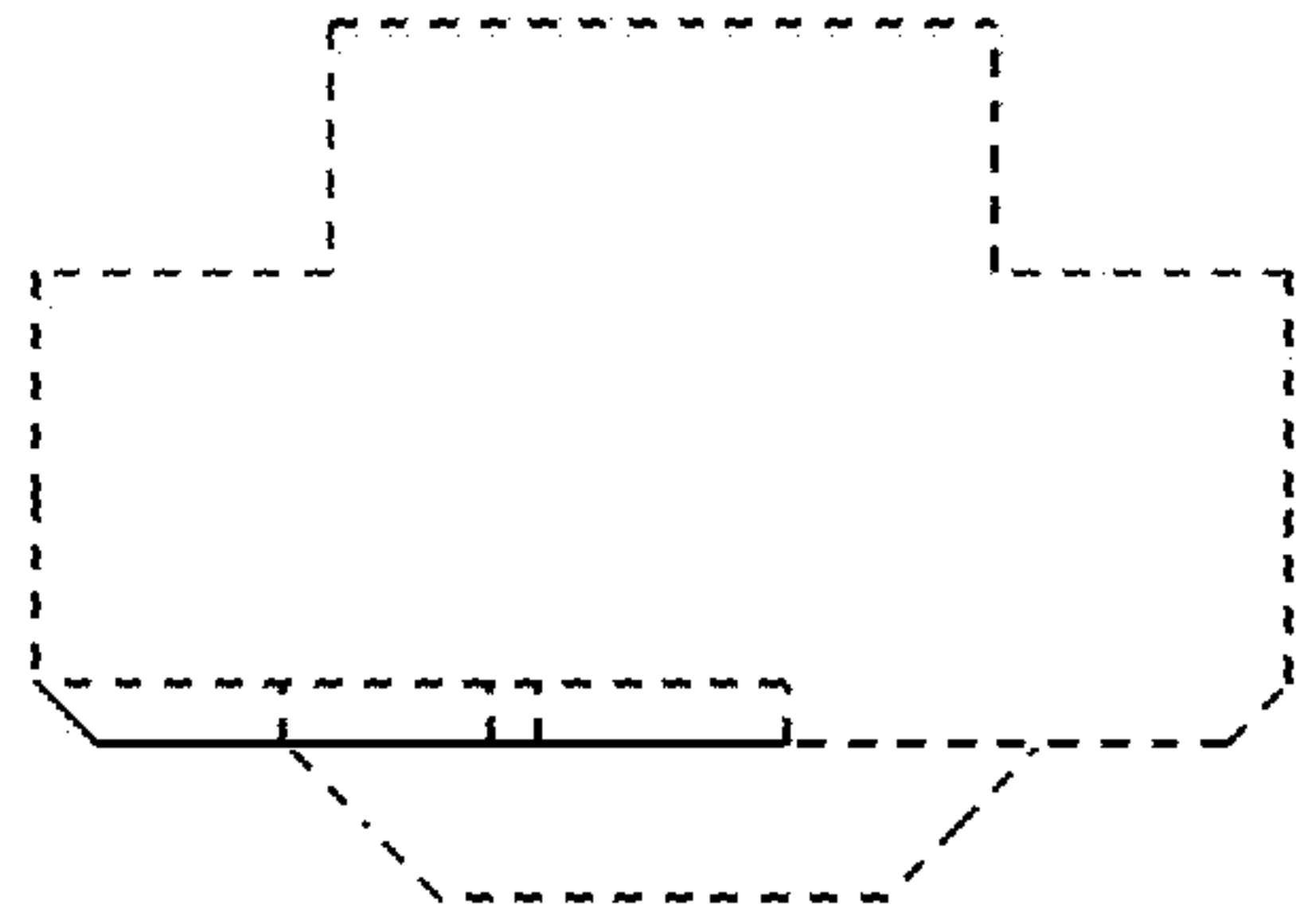


FIG. 4

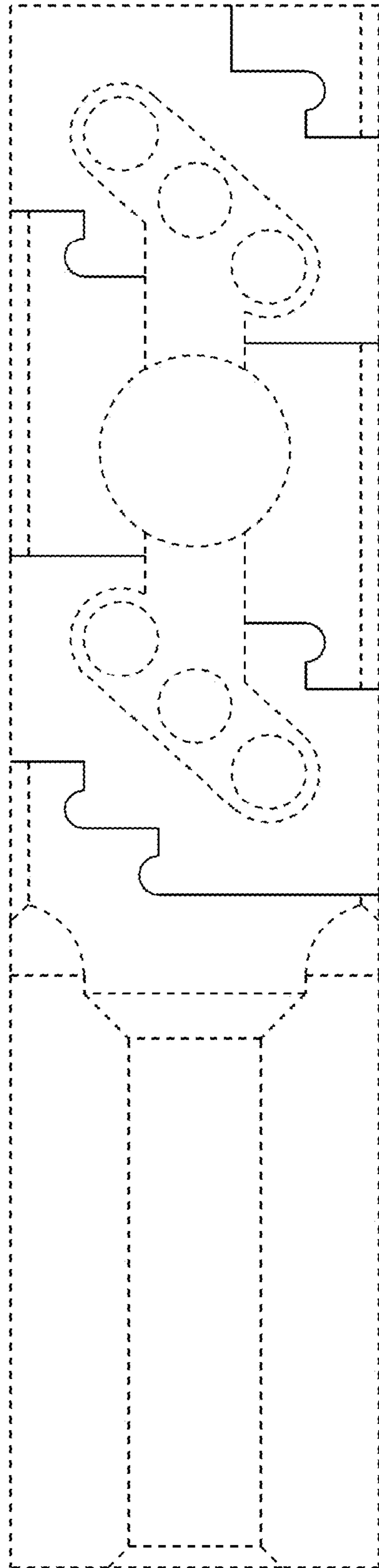


FIG. 5

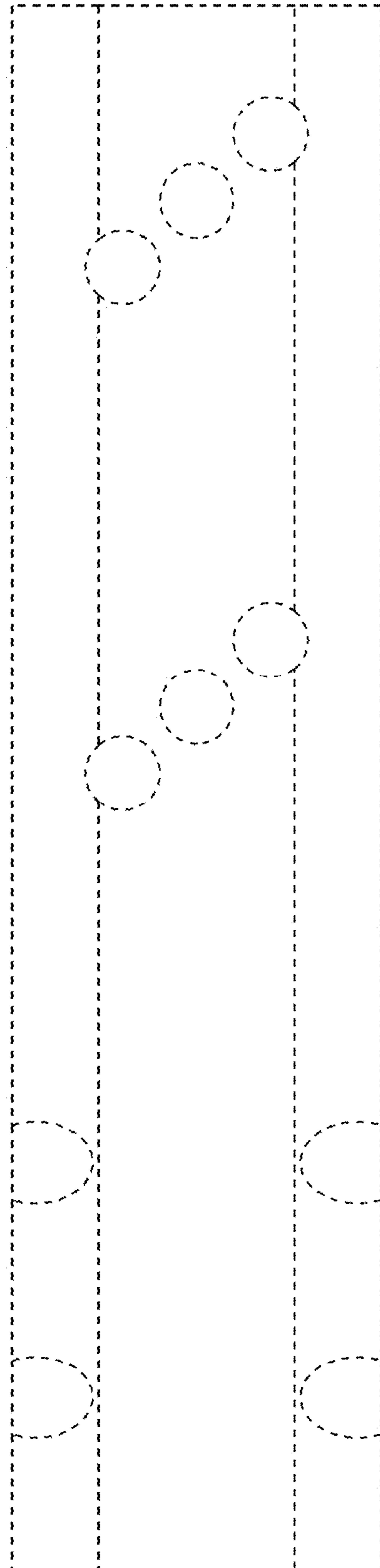


FIG. 6

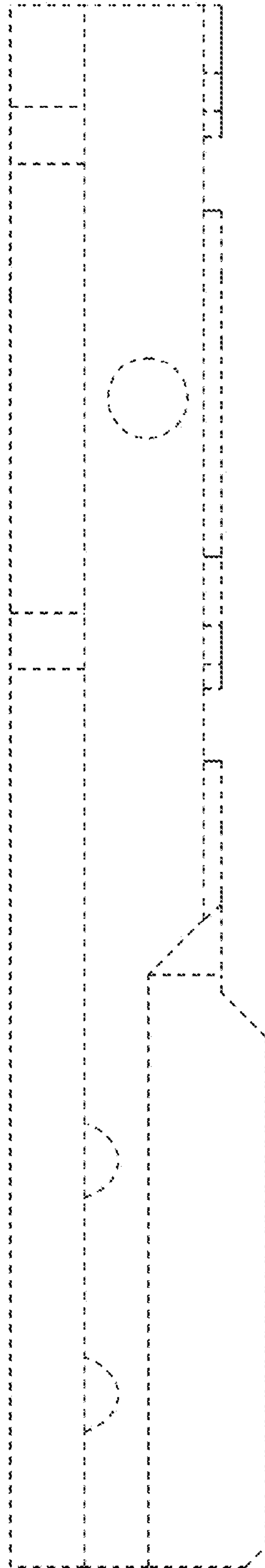


FIG. 7

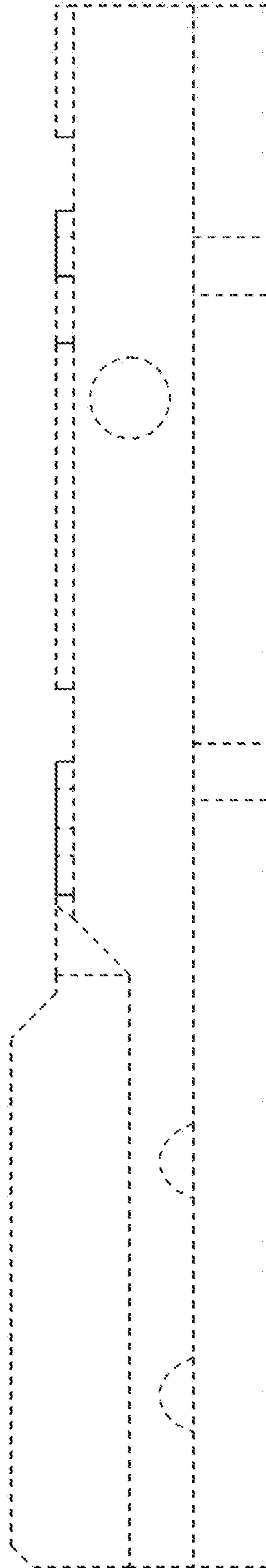


FIG. 8