

US00D970676S

(12) **United States Design Patent**
Gerlings

(10) **Patent No.:** **US D970,676 S**

(45) **Date of Patent:** **** Nov. 22, 2022**

(54) **FIREARM HANDGUARD SYSTEM**

(71) Applicant: **Phillip Gerlings**, Gilbert, AZ (US)

(72) Inventor: **Phillip Gerlings**, Gilbert, AZ (US)

(**) Term: **15 Years**

(21) Appl. No.: **29/716,172**

(22) Filed: **Dec. 6, 2019**

(51) **LOC (13) Cl.** **22-01**

(52) **U.S. Cl.**
USPC **D22/108**

(58) **Field of Classification Search**
USPC D22/103, 108; D21/570-573; D8/68
CPC F41C 23/10; F41C 23/14; F41C 23/16;
F41C 23/18
See application file for complete search history.

(56) **References Cited**

U.S. PATENT DOCUMENTS

D773,590 S *	12/2016	Wingate	D22/108
D774,616 S *	12/2016	Barrett	D22/108
D819,765 S *	6/2018	Kafka	D22/103
D891,563 S *	7/2020	Hu	D22/108
D912,188 S *	3/2021	Chin	D22/108
D953,470 S *	5/2022	Windfeldt	D22/108
2022/0026166 A1 *	1/2022	Gerlings	F41A 5/28

* cited by examiner

Primary Examiner — Michael A. Pratt

(74) *Attorney, Agent, or Firm* — Accelerate IP LLC

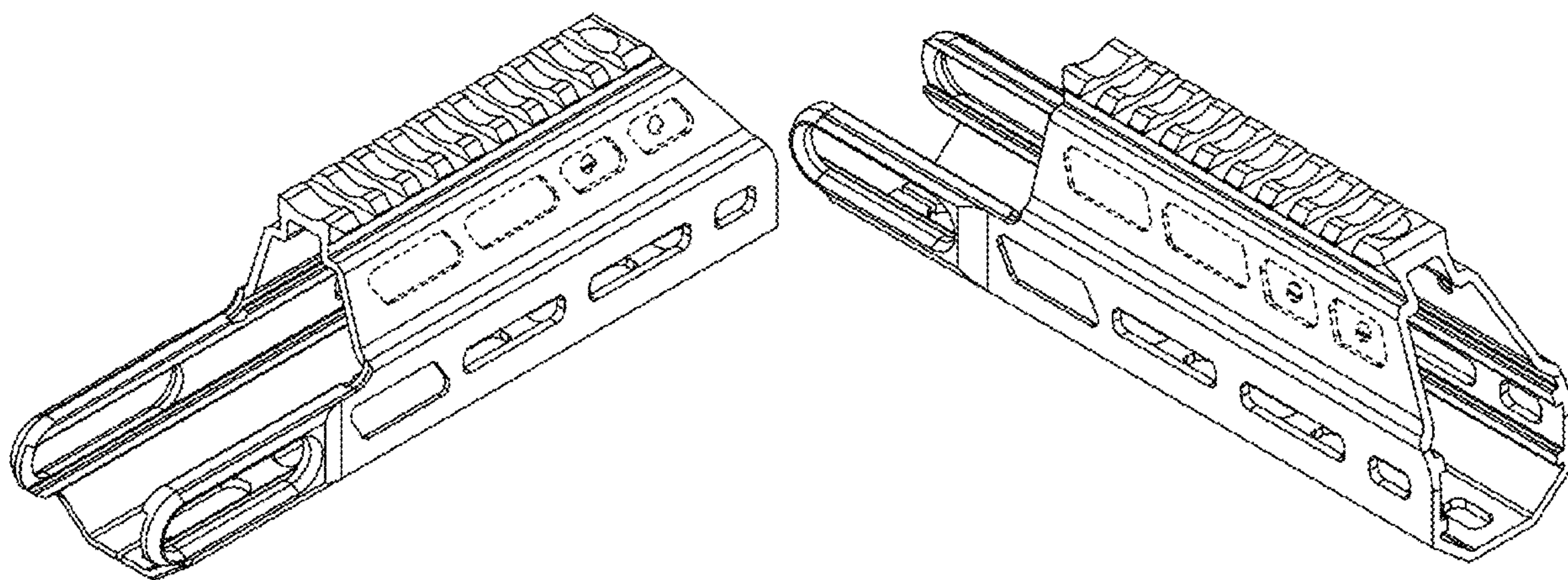
(57) **CLAIM**

I claim the ornamental design for a firearm handguard system, as shown and described.

DESCRIPTION

FIG. 1 is a right side isometric view of a firearm handguard system showing my new design;
 FIG. 2 is a left side isometric view of a firearm handguard system showing my new design;
 FIG. 3 is a side view of a firearm handguard system showing my new design;
 FIG. 4 is a top view of a corner of the firearm handguard system showing my new design;
 FIG. 5 is a bottom view of a firearm handguard system showing my new design;
 FIG. 6 is a right side isometric view of another firearm handguard system showing my new design;
 FIG. 7 is a left side isometric view of another firearm handguard system showing my new design;
 FIG. 8 is a top view of another firearm handguard system attached to a firearm showing my new design;
 FIG. 9 is a front view of a firearm handguard system showing my new design;
 FIG. 10 is a back view of a firearm handguard system showing my new design;
 FIG. 11 is a side view of a firearm handguard system attached to a firearm showing my new design; and,
 FIG. 12 is a side view of a another firearm handguard system attached to a firearm showing my new design.
 The broken lines shown in FIGS. 1-12 are for the purpose of illustrative purposes only and form no part of the claimed design.

1 Claim, 7 Drawing Sheets



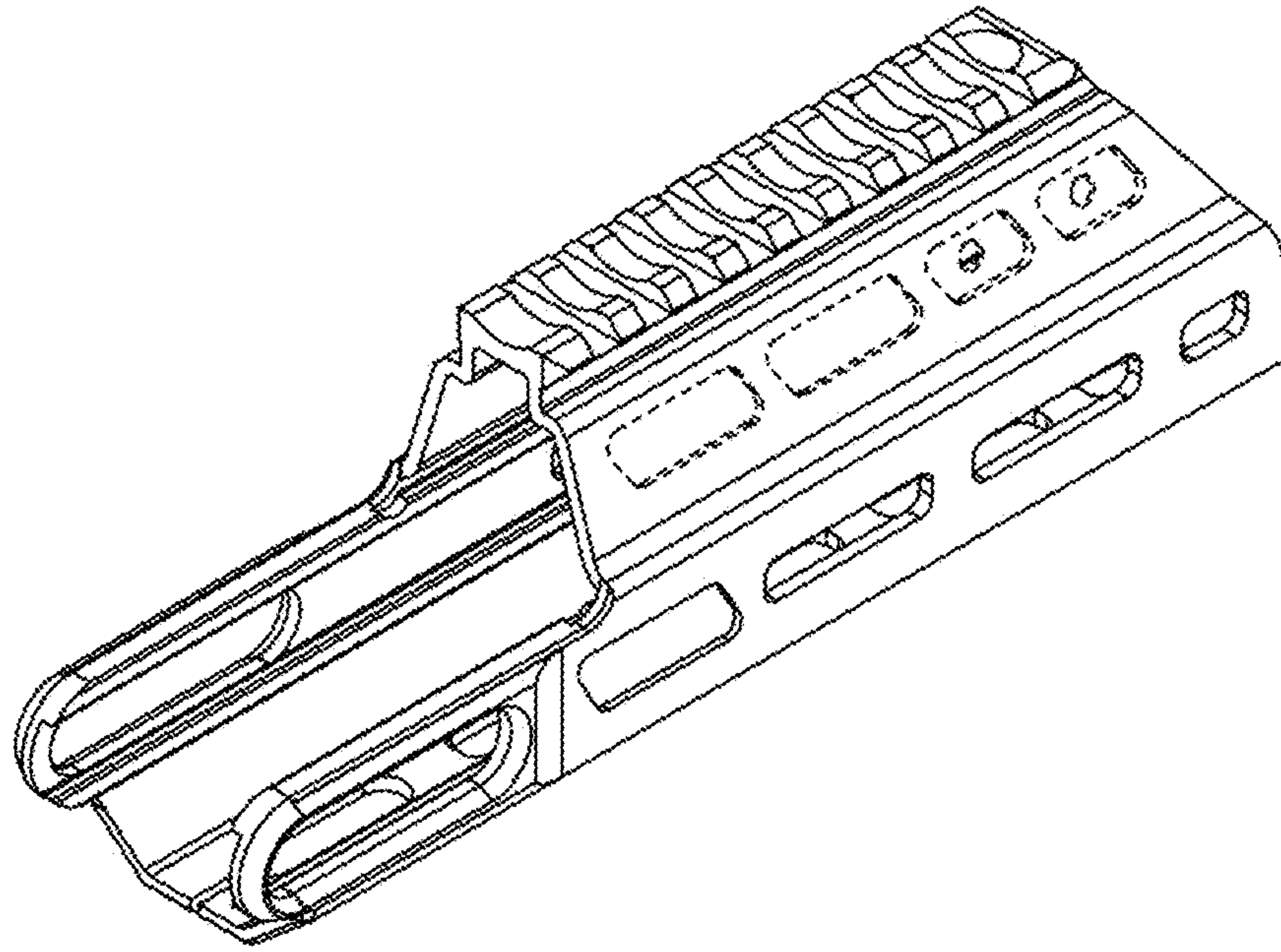


FIG. 1

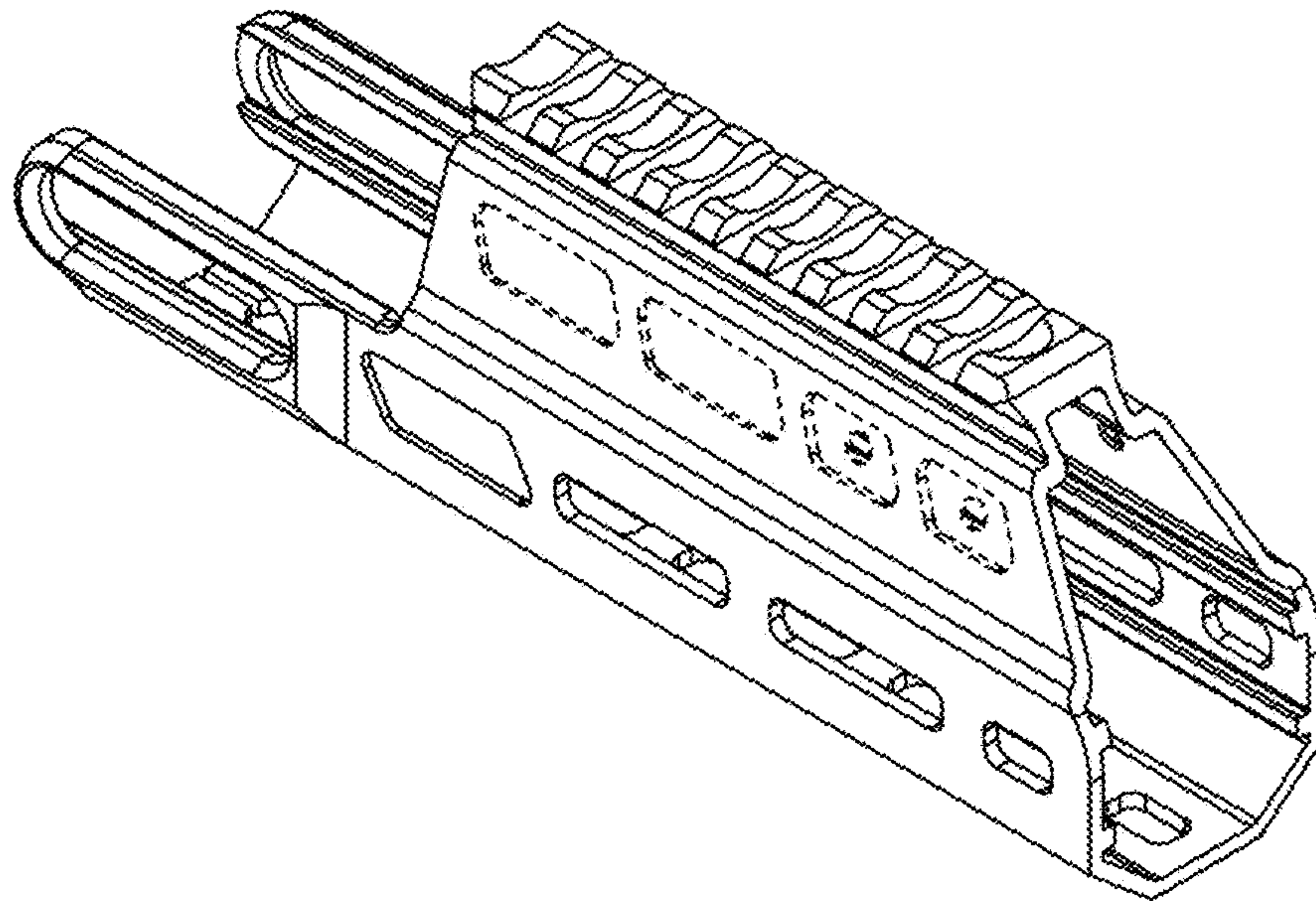


FIG. 2

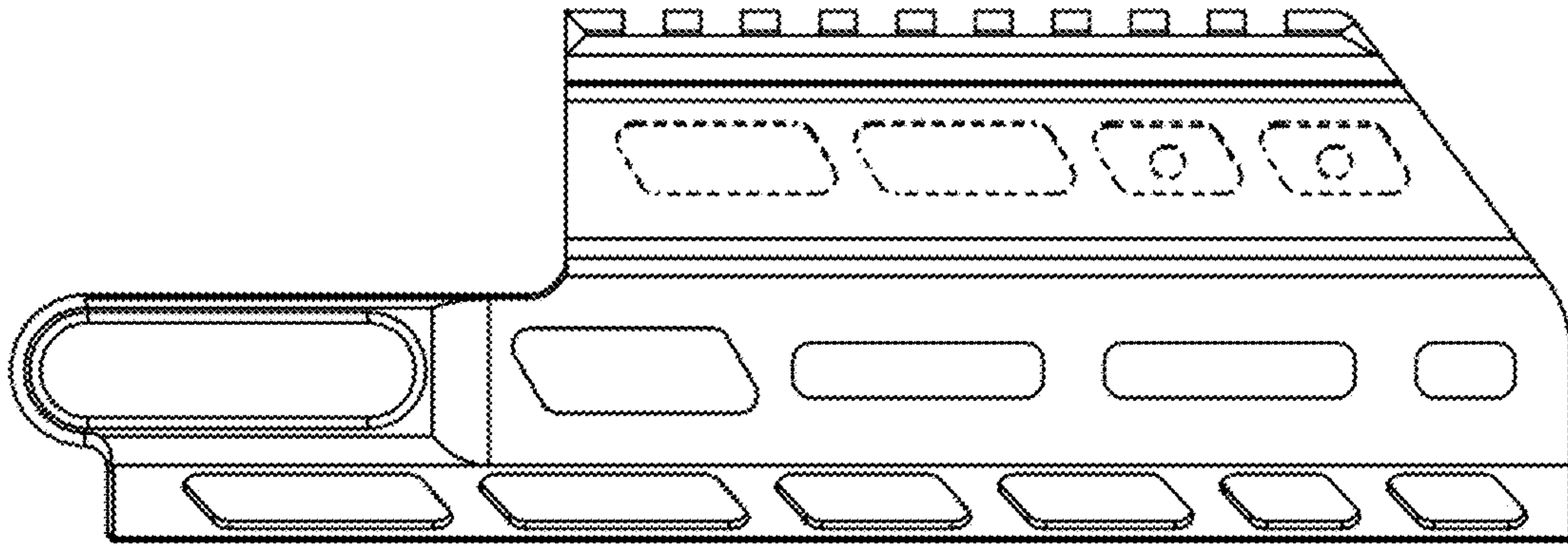


FIG. 3

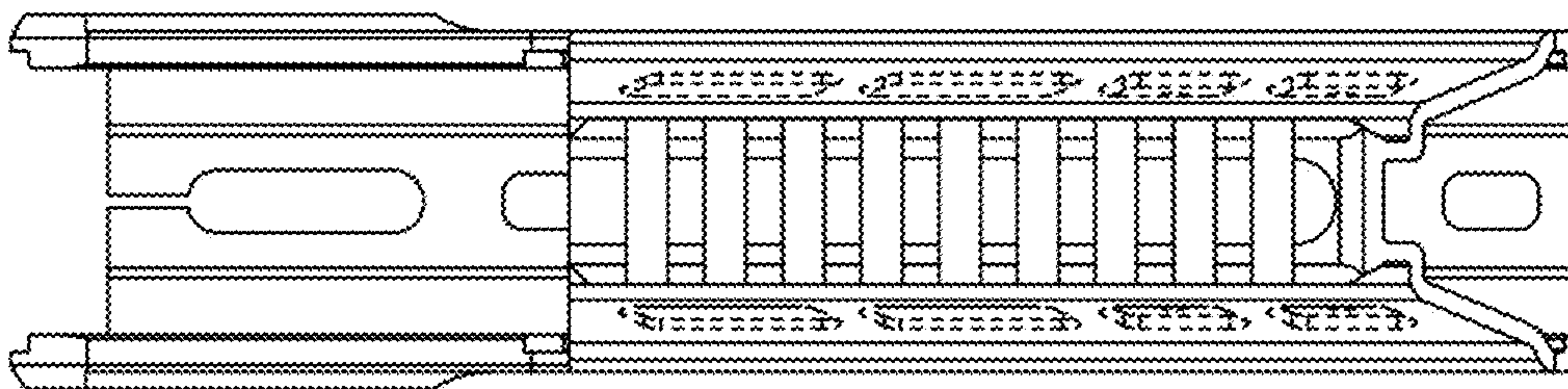


FIG. 4

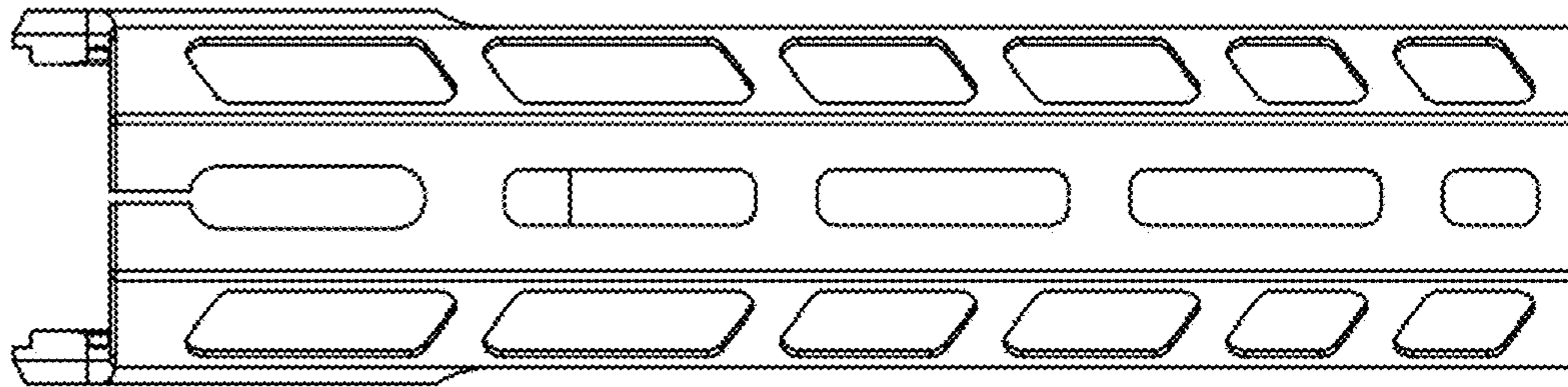


FIG. 5

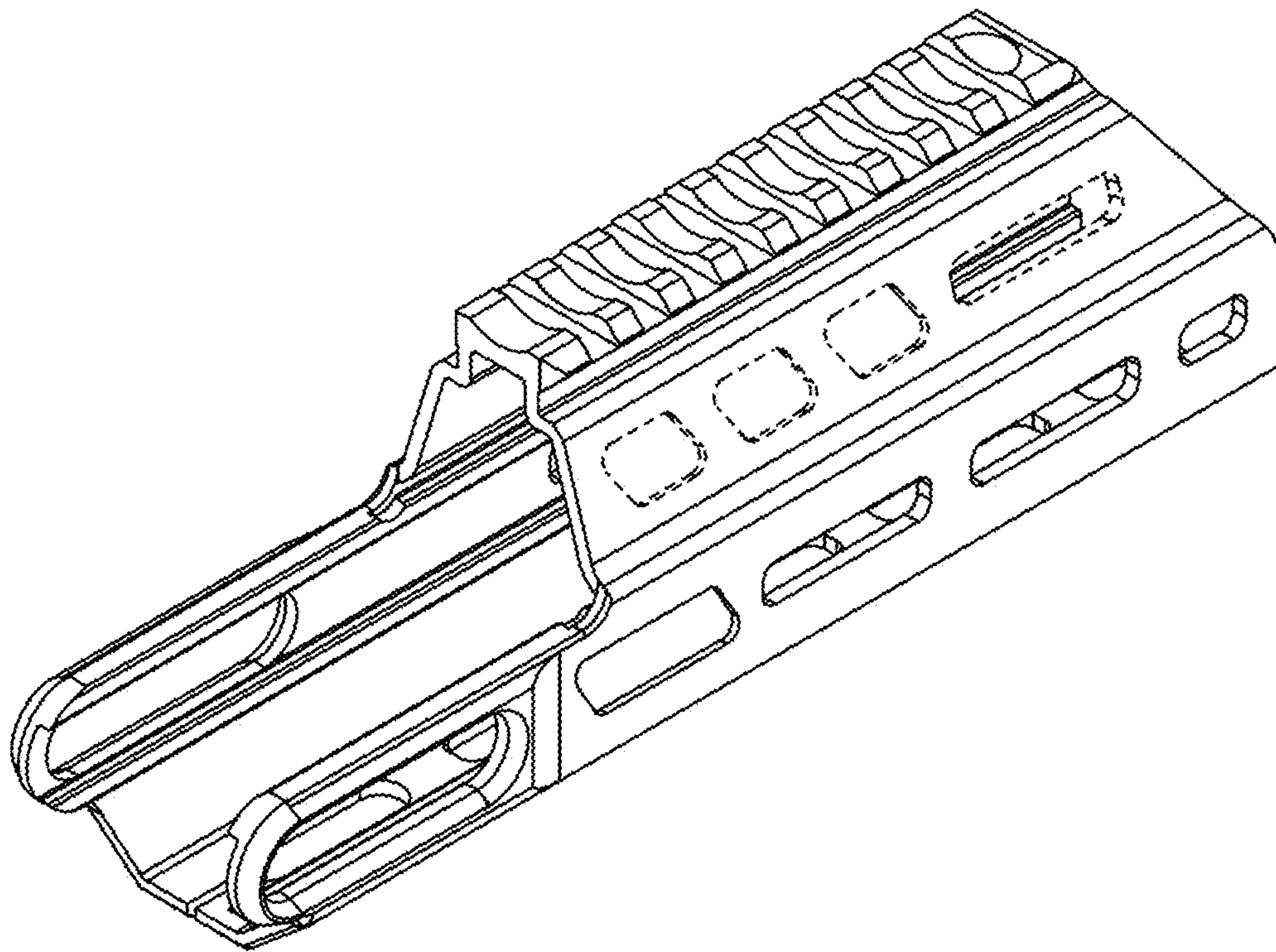


FIG. 6

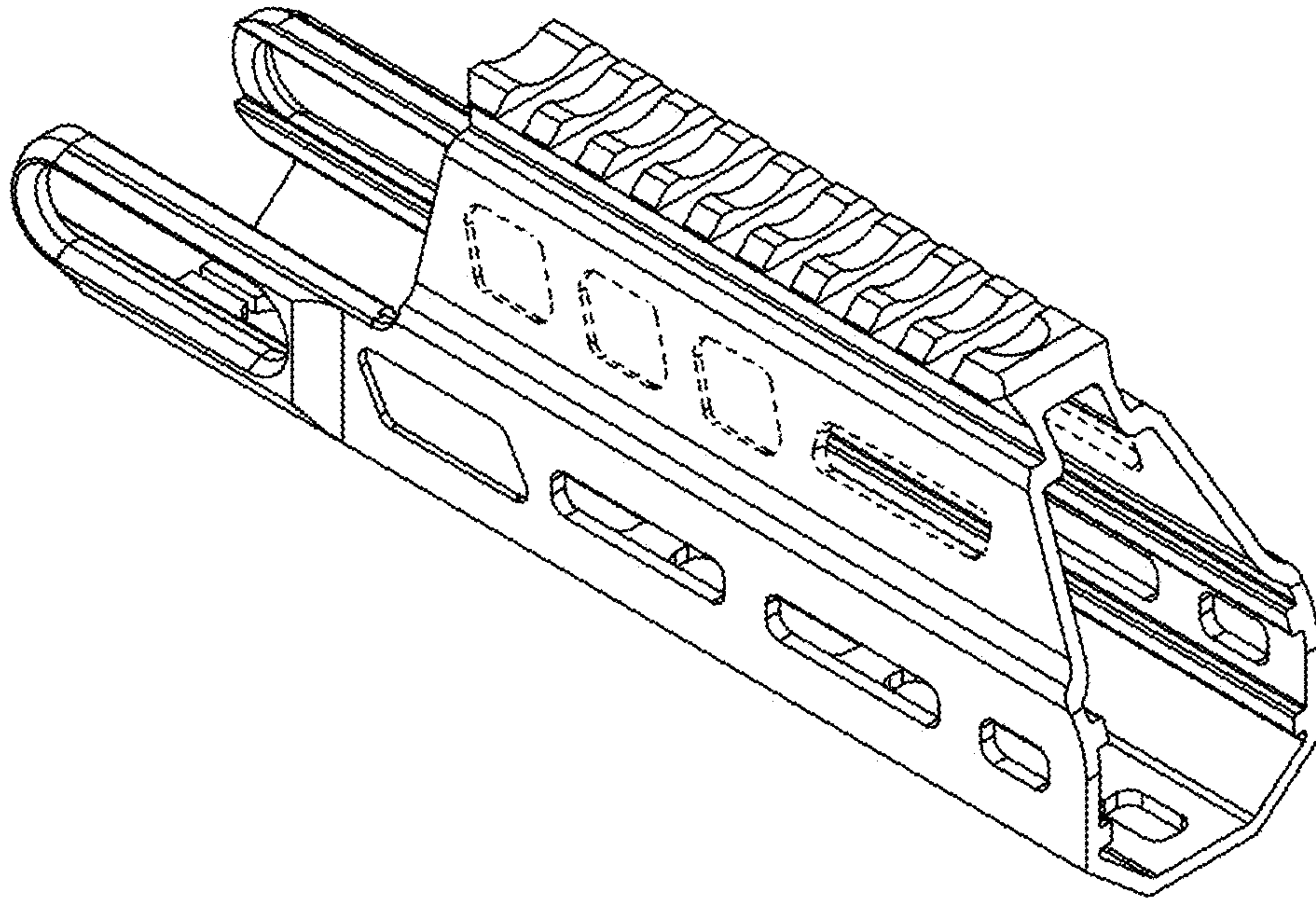


FIG. 7

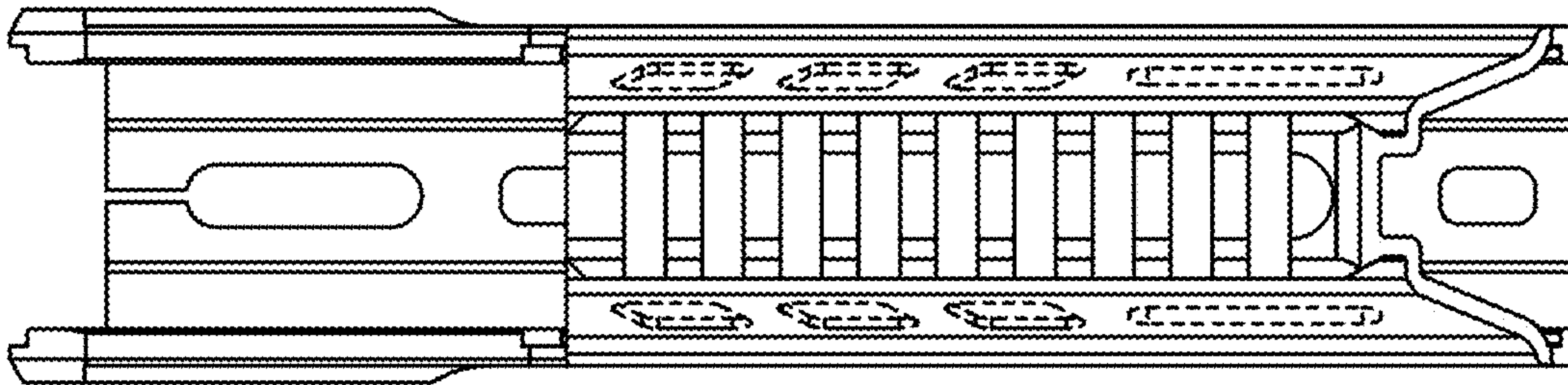


FIG. 8

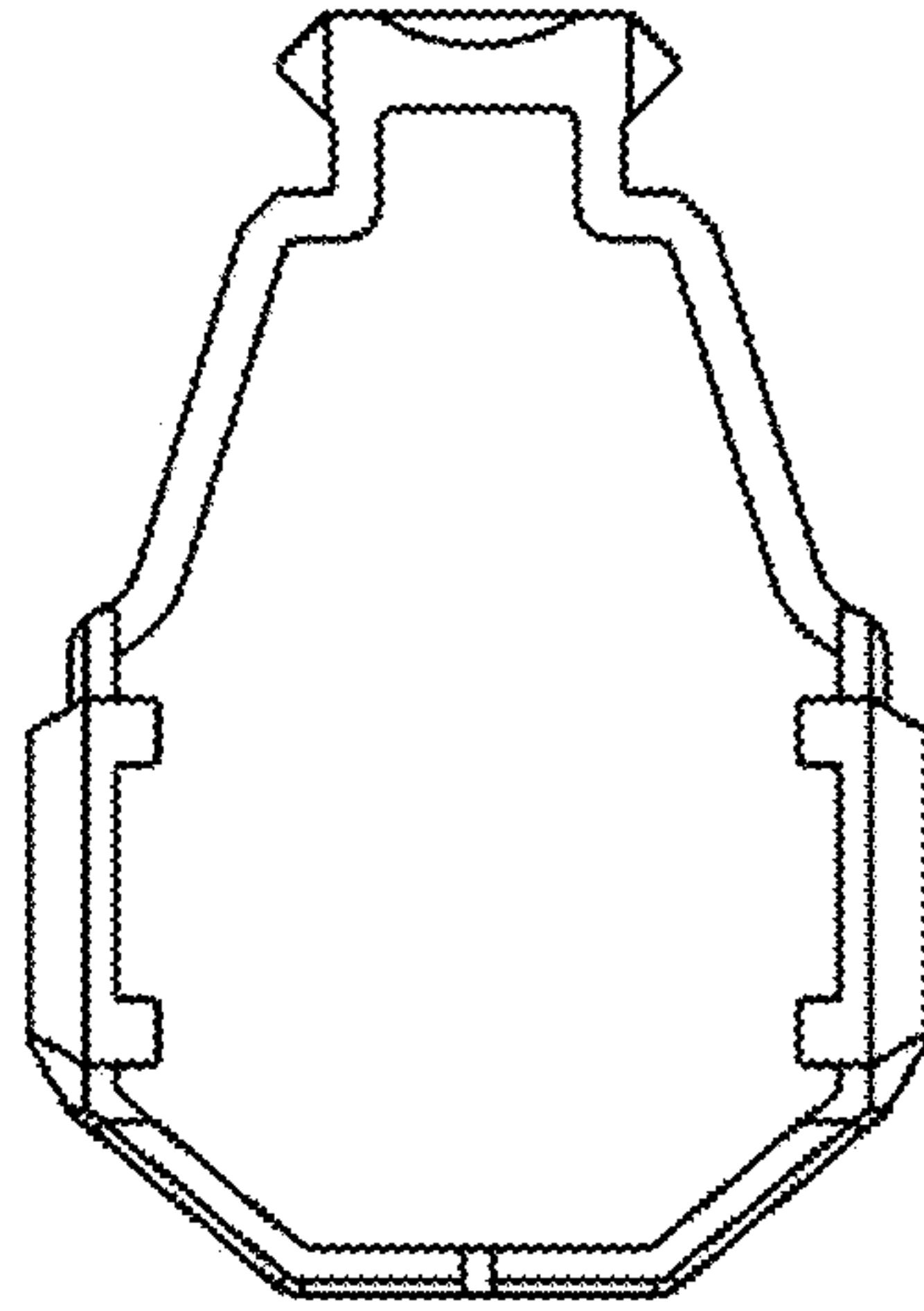


FIG. 9

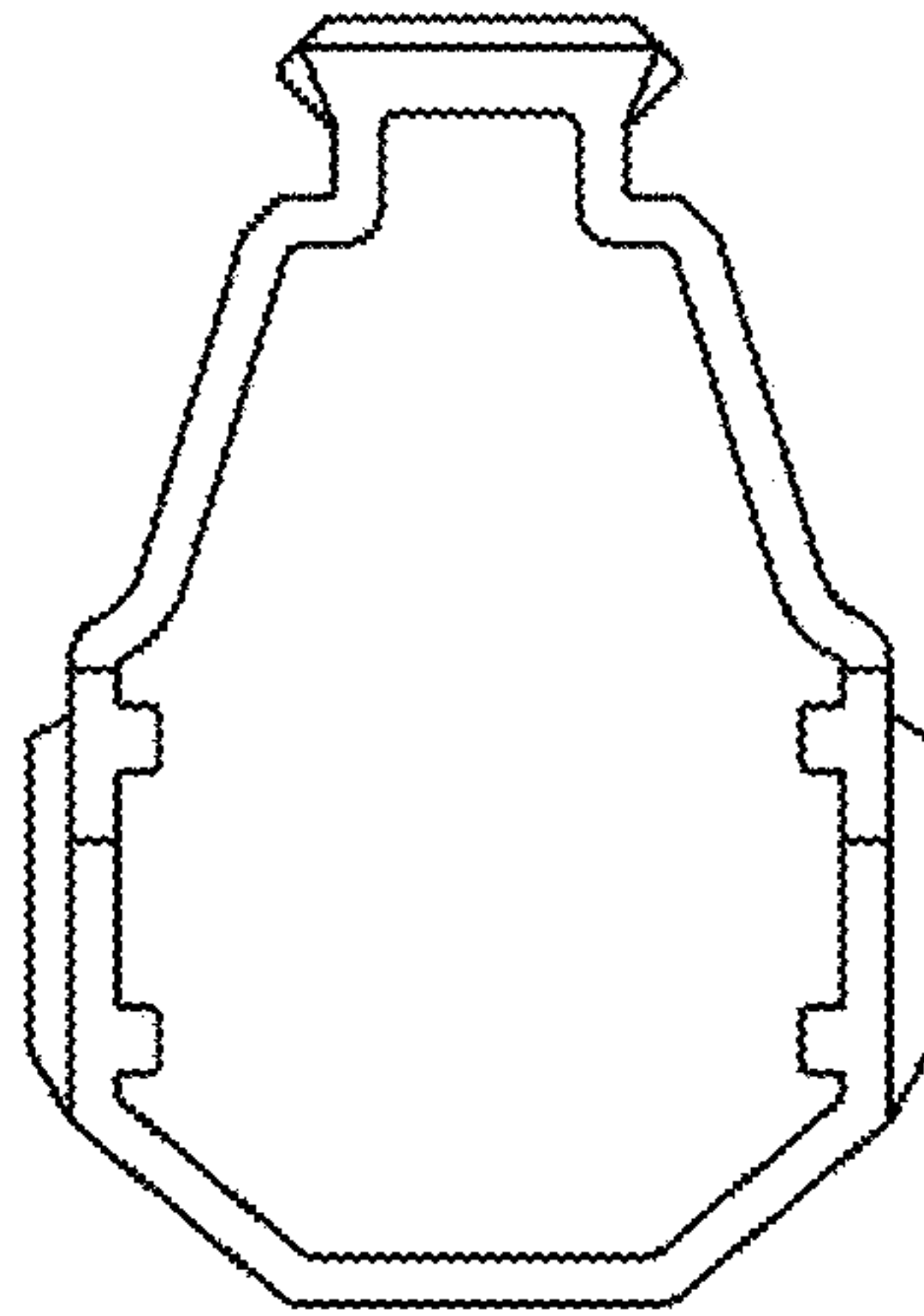


FIG. 10

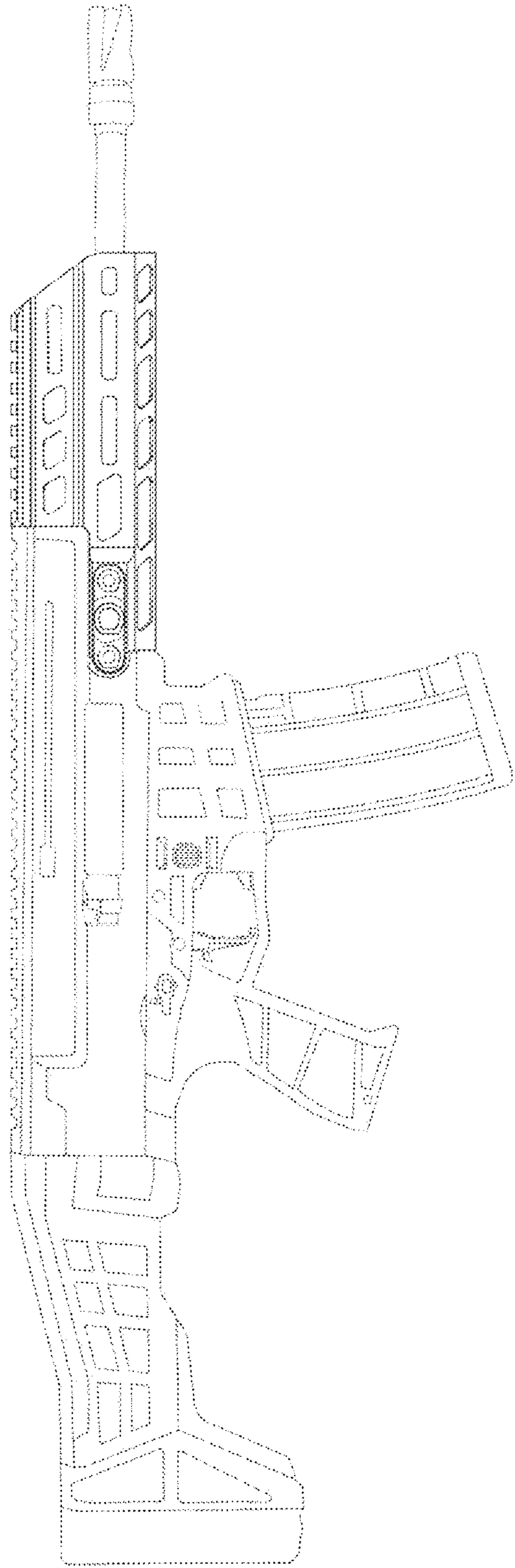


FIG. II

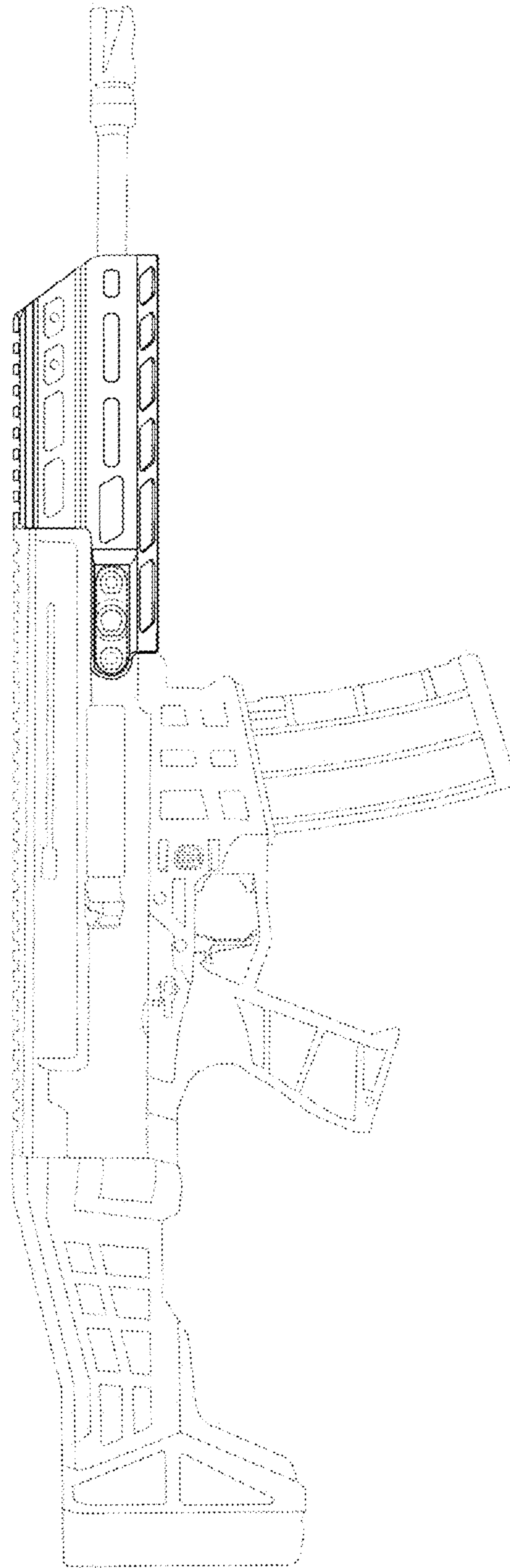


FIG. 12