



US00D970675S

(12) **United States Design Patent**  
**Ying et al.**

(10) **Patent No.:** **US D970,675 S**

(45) **Date of Patent:** **\*\* Nov. 22, 2022**

(54) **TENT**

FOREIGN PATENT DOCUMENTS

(71) Applicants: **YONGKANG CHUNKAI IMPORT & EXPORT CO., LTD**, Jinhua (CN); **BRITECH INC**, Harrisburg, NC (US)

CN 202230137677.5 \* 3/2022

(72) Inventors: **Jufen Ying**, Jinhua (CN); **Adam Feinberg**, Harrisburg, NC (US)

OTHER PUBLICATIONS

Britech canopy, Apr. 29, 2022, amazon.com, retrieved Sep. 22, 2022, [https://www.amazon.com/Britech-Canopy-Durable-Pop-up-White/dp/B09PVS8D7Q/ref=cm\\_cr\\_ar\\_p\\_d\\_pl\\_foot\\_top?ie=UTF8](https://www.amazon.com/Britech-Canopy-Durable-Pop-up-White/dp/B09PVS8D7Q/ref=cm_cr_ar_p_d_pl_foot_top?ie=UTF8) (Year: 2022).\*

(73) Assignees: **YONGKANG CHUNKAI IMPORT & EXPORT CO., LTD**, Jinhua (CN); **BRITECH INC**, Harrisburg, NC (US)

*Primary Examiner* — Katherine A Holbrow

(\*\*) Term: **15 Years**

(21) Appl. No.: **29/824,592**

(57) **CLAIM**

The ornamental design for a tent, as shown and described.

(22) Filed: **Jan. 26, 2022**

(51) **LOC (13) Cl.** ..... **21-04**

(52) **U.S. Cl.**  
USPC ..... **D21/839**

**DESCRIPTION**

(58) **Field of Classification Search**  
USPC ..... D21/834, 837, 838, 839, 840; D8/354  
CPC ..... E04H 15/42; E04H 15/46; E04H 15/00;  
E04H 15/405; E04H 15/003; E04H  
1/1244; E04H 2015/203; E04H 4/108  
See application file for complete search history.

FIG. 1 is a perspective view of a tent showing our new design;  
FIG. 2 is another perspective view thereof;  
FIG. 3 is a front elevational view thereof;  
FIG. 4 is a rear elevational view thereof;  
FIG. 5 is a left side elevational view thereof;  
FIG. 6 is a right side elevational view thereof;  
FIG. 7 is a top plan view thereof;  
FIG. 8 is a bottom plan view thereof;  
FIG. 9 is an enlarged view of portion 9 shown in FIG. 1;  
FIG. 10 is an enlarged view of portion 10 shown in FIG. 1;  
FIG. 11 is an enlarged view of portion 11 shown in FIG. 1;  
FIG. 12 is an enlarged view of portion 12 shown in FIG. 2;  
and,  
FIG. 13 is an enlarged view of portion 13 shown in FIG. 2.  
The dash-dash broken lines in the drawings depict portions of the tent that form no part of the claimed design. The dot-dash broken lines represent boundaries of the enlarged portions and form no part of the claimed design.

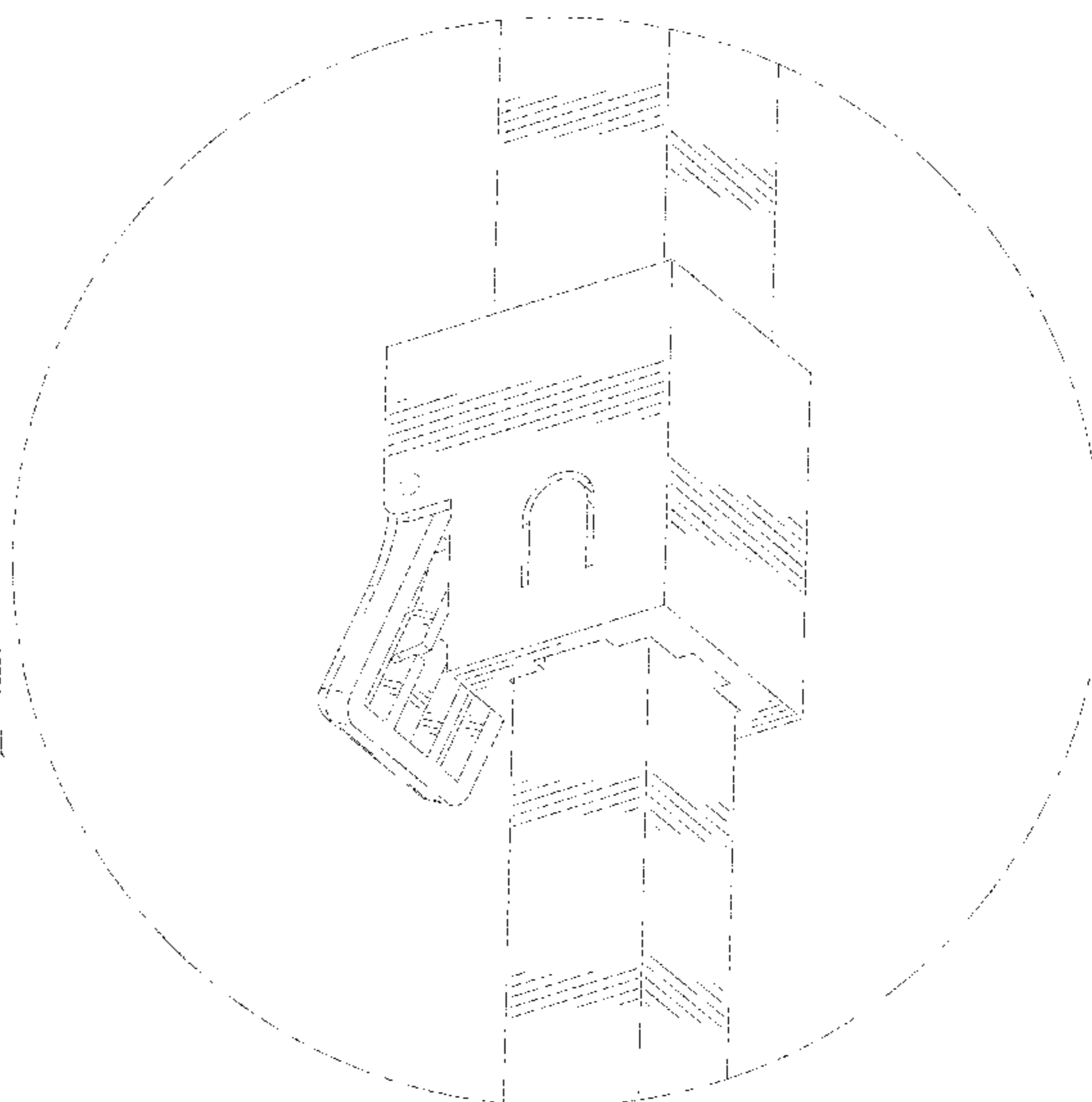
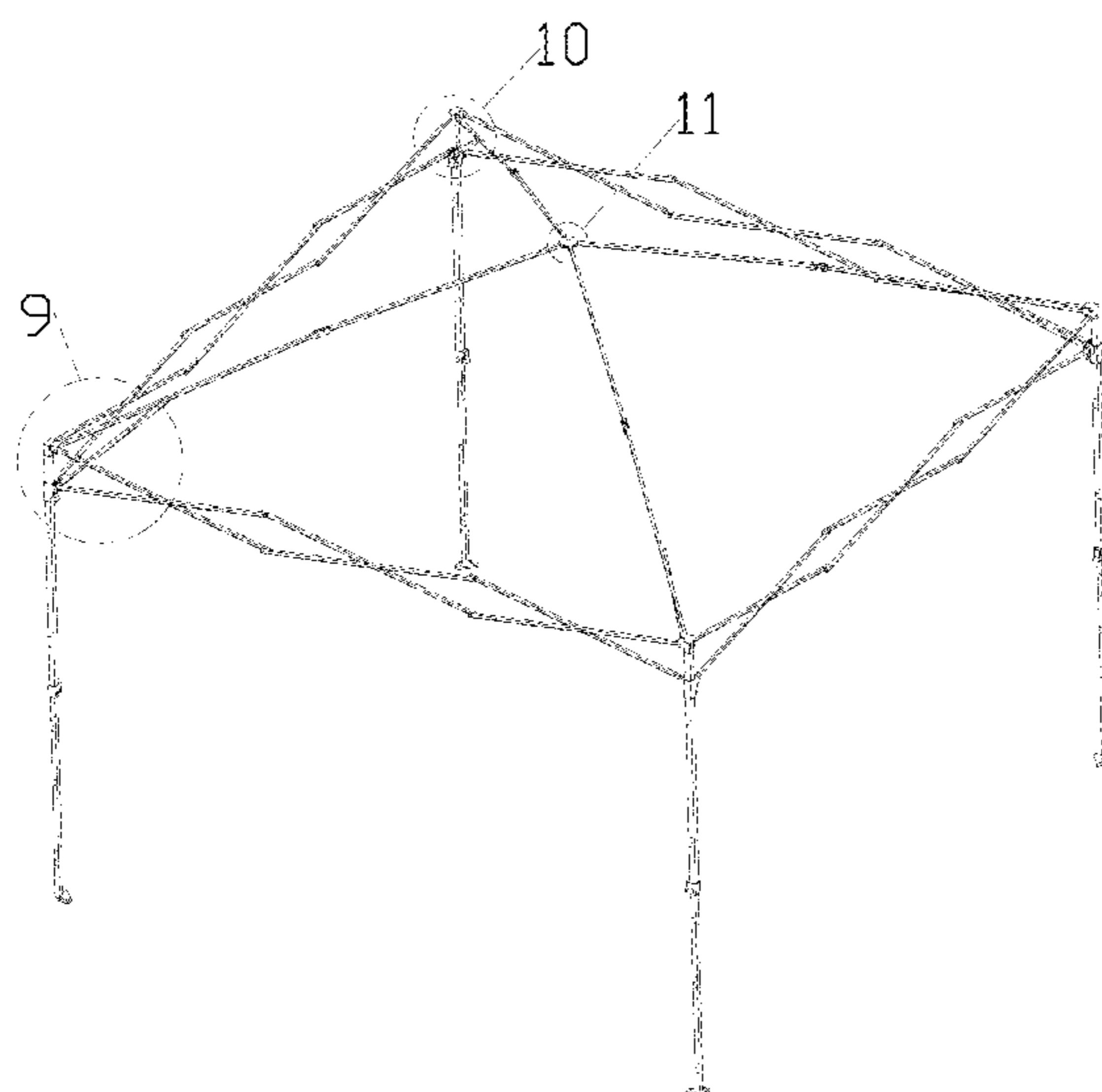
(56) **References Cited**

U.S. PATENT DOCUMENTS

D387,839 S *	12/1997	Pysell	.....	D21/839
8,746,267 B2 *	6/2014	Lovley, II	.....	F16B 7/1454 135/120.2
D712,730 S *	9/2014	Gridley	.....	D8/396
D736,884 S *	8/2015	Lovley, II	.....	D8/394
D760,857 S *	7/2016	Matthews	.....	D21/839
9,528,292 B1 *	12/2016	Lovley, II	.....	E04H 15/50
10,072,439 B2 *	9/2018	Lovley, II	.....	E04H 15/46
D854,107 S *	7/2019	Choi	.....	D21/834
10,378,235 B1 *	8/2019	Volin	.....	E04H 15/505
D859,564 S *	9/2019	Choi	.....	D21/839

(Continued)

**1 Claim, 13 Drawing Sheets**



(56)

**References Cited**

U.S. PATENT DOCUMENTS

D872,208	S	1/2020	Zhu	
D884,815	S *	5/2020	Hu .....	D21/837
D921,147	S	6/2021	Brensinger et al.	
D925,687	S *	7/2021	Yang .....	D21/839
D926,910	S *	8/2021	Yang .....	E04H 15/44
				D21/839
D932,580	S *	10/2021	Lovley, II .....	D21/839
D959,588	S *	8/2022	Song .....	D21/839
2011/0240078	A1 *	10/2011	Lenhart .....	F16B 7/1418
				135/65
2012/0006373	A1 *	1/2012	Stehly .....	E04H 15/50
				135/140
2014/0338711	A1 *	11/2014	Choi .....	E04H 15/48
				135/120.3
2015/0159397	A1 *	6/2015	Choi .....	E04H 15/32
				135/120.3
2016/0290002	A1 *	10/2016	Michaelis .....	E04H 15/32
2016/0348392	A1 *	12/2016	Jin .....	E04H 15/48
2016/0348395	A1 *	12/2016	Jin .....	E04H 15/26
2018/0058091	A1 *	3/2018	Wu .....	E04H 15/46
2018/0080242	A1 *	3/2018	Choi .....	E04H 15/46
2018/0080243	A1 *	3/2018	Choi .....	E04H 15/50
2019/0284830	A1 *	9/2019	Nicholson, Jr. ....	E04H 15/58
2019/0368220	A1 *	12/2019	Sun .....	E04H 15/50
2020/0157838	A1 *	5/2020	Yuan .....	E04H 15/50
2020/0240167	A1 *	7/2020	Sun .....	E04H 15/48
2020/0299990	A1 *	9/2020	Choi .....	E04H 15/46
2020/0407999	A1 *	12/2020	Huang .....	E04H 15/50
2022/0064981	A1 *	3/2022	He .....	E04H 15/02

\* cited by examiner

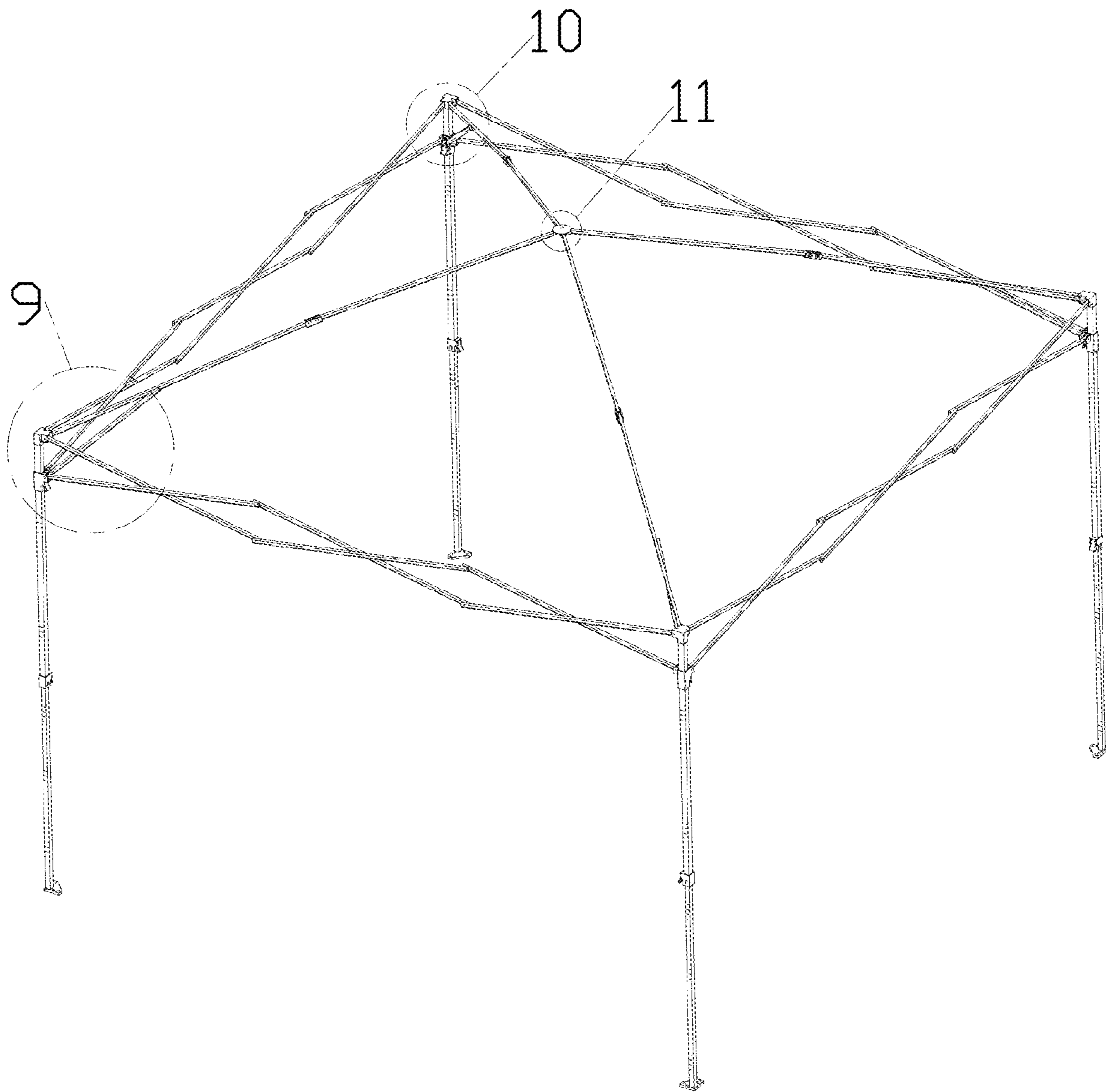


FIG. 1

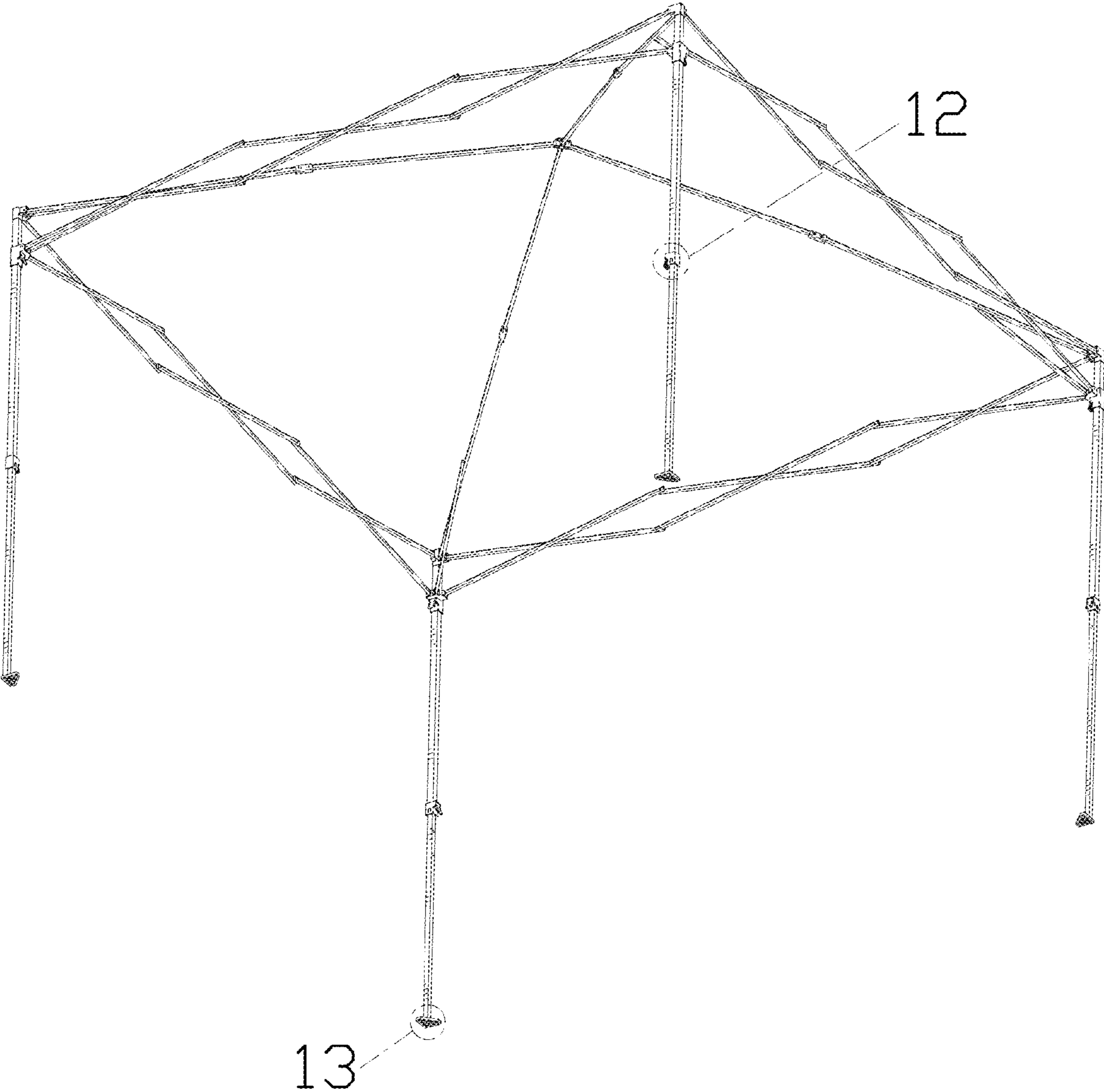


FIG. 2



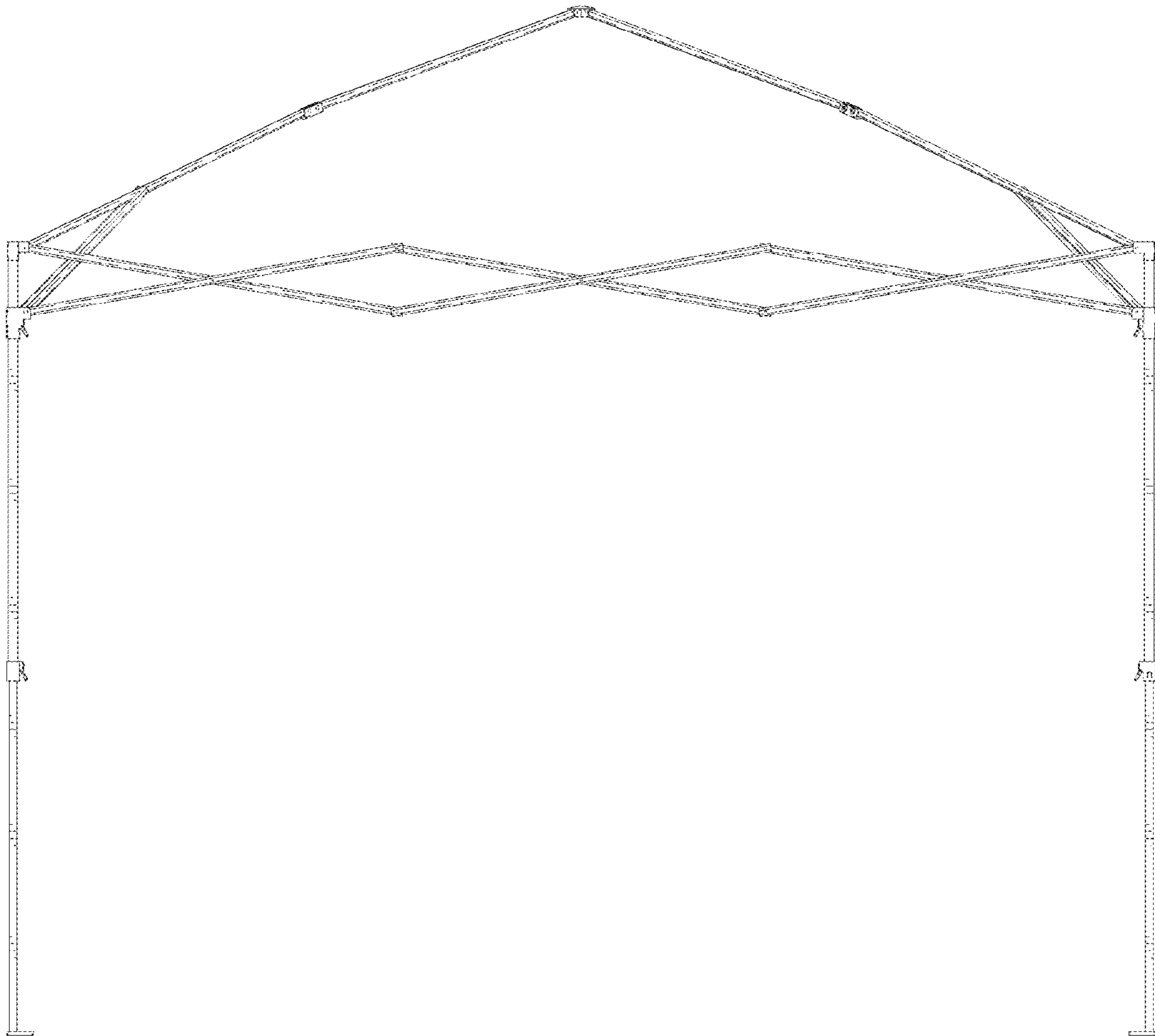


FIG. 3

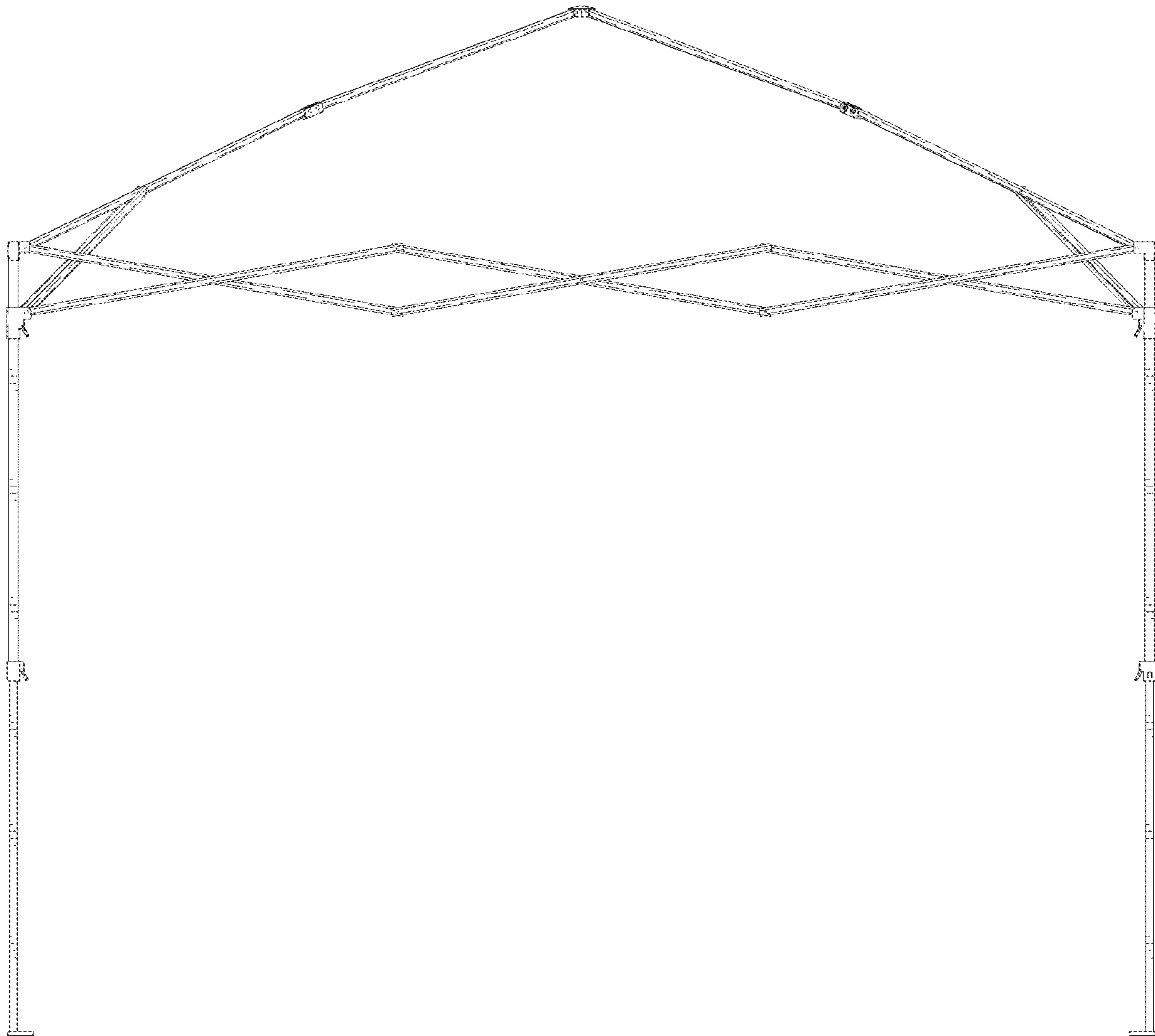


FIG. 4

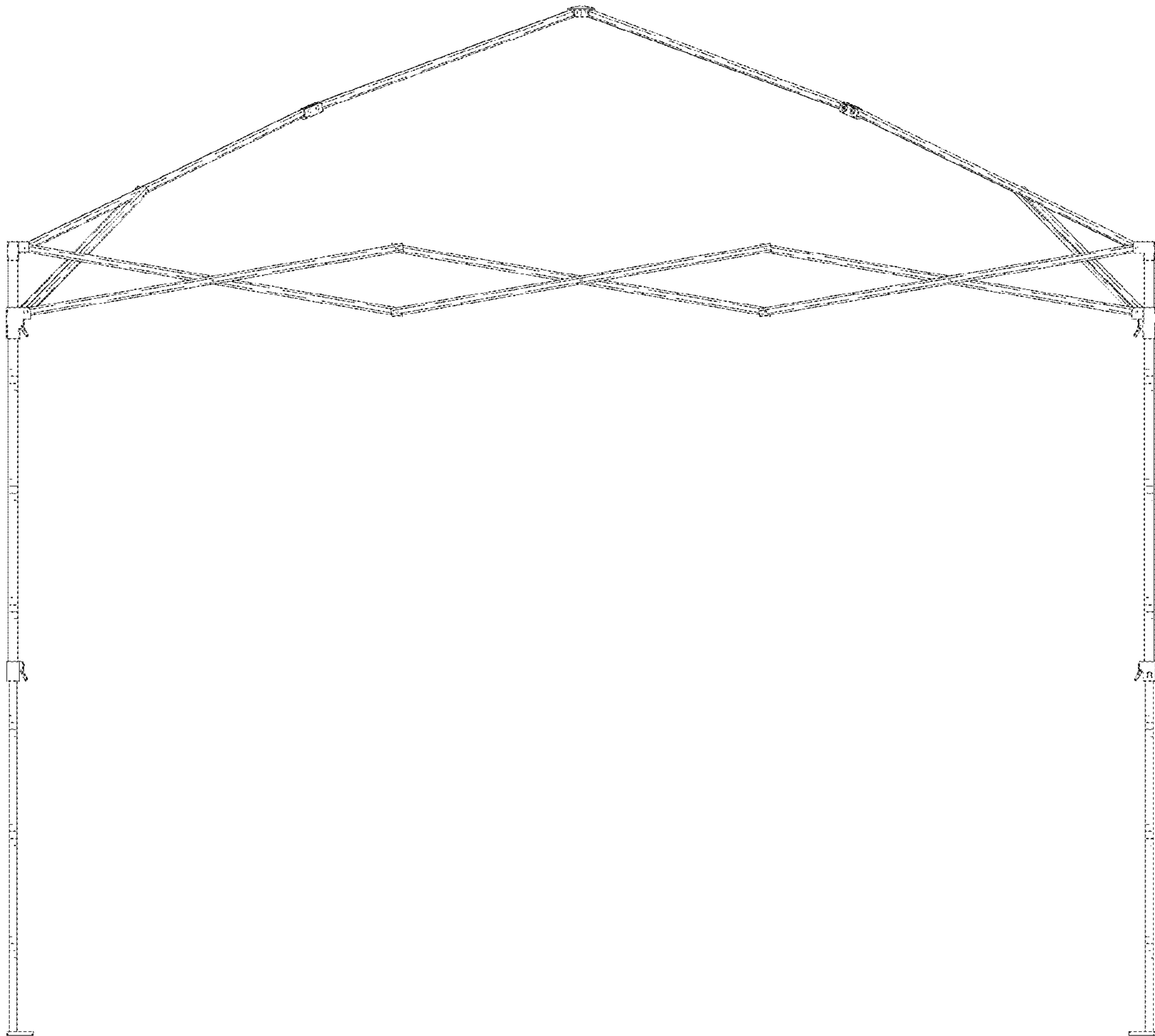


FIG. 5

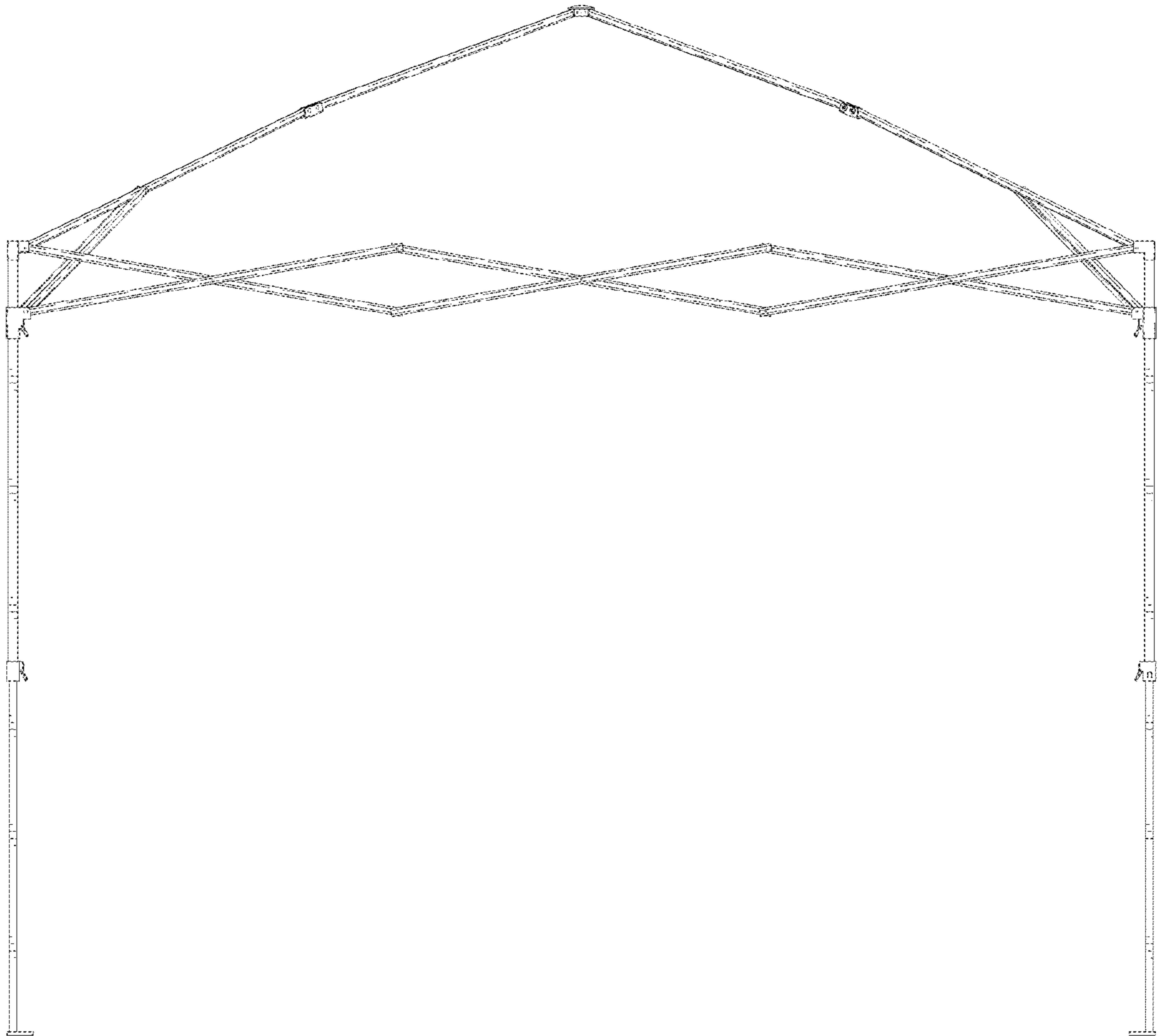


FIG. 6



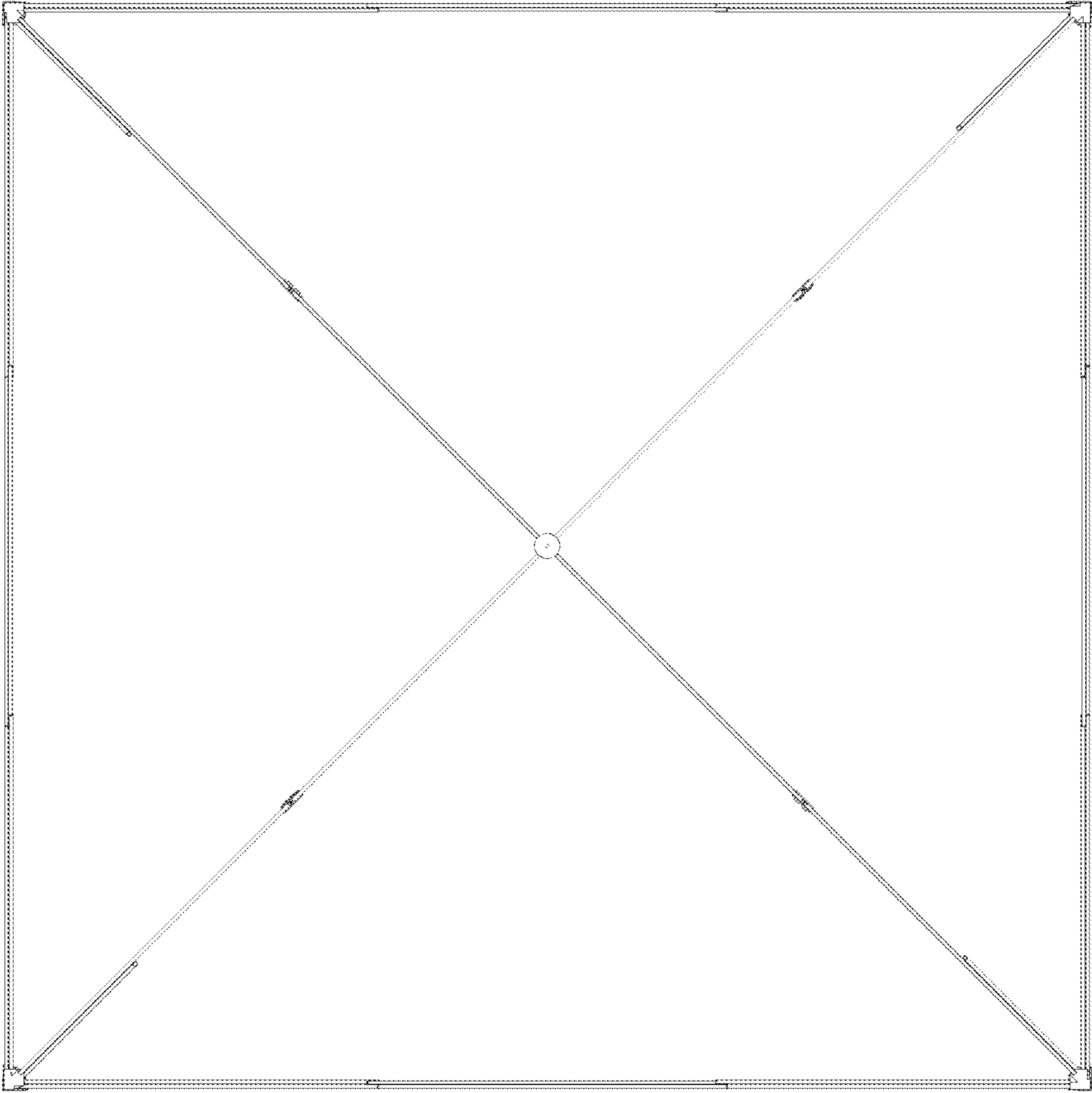


FIG. 7

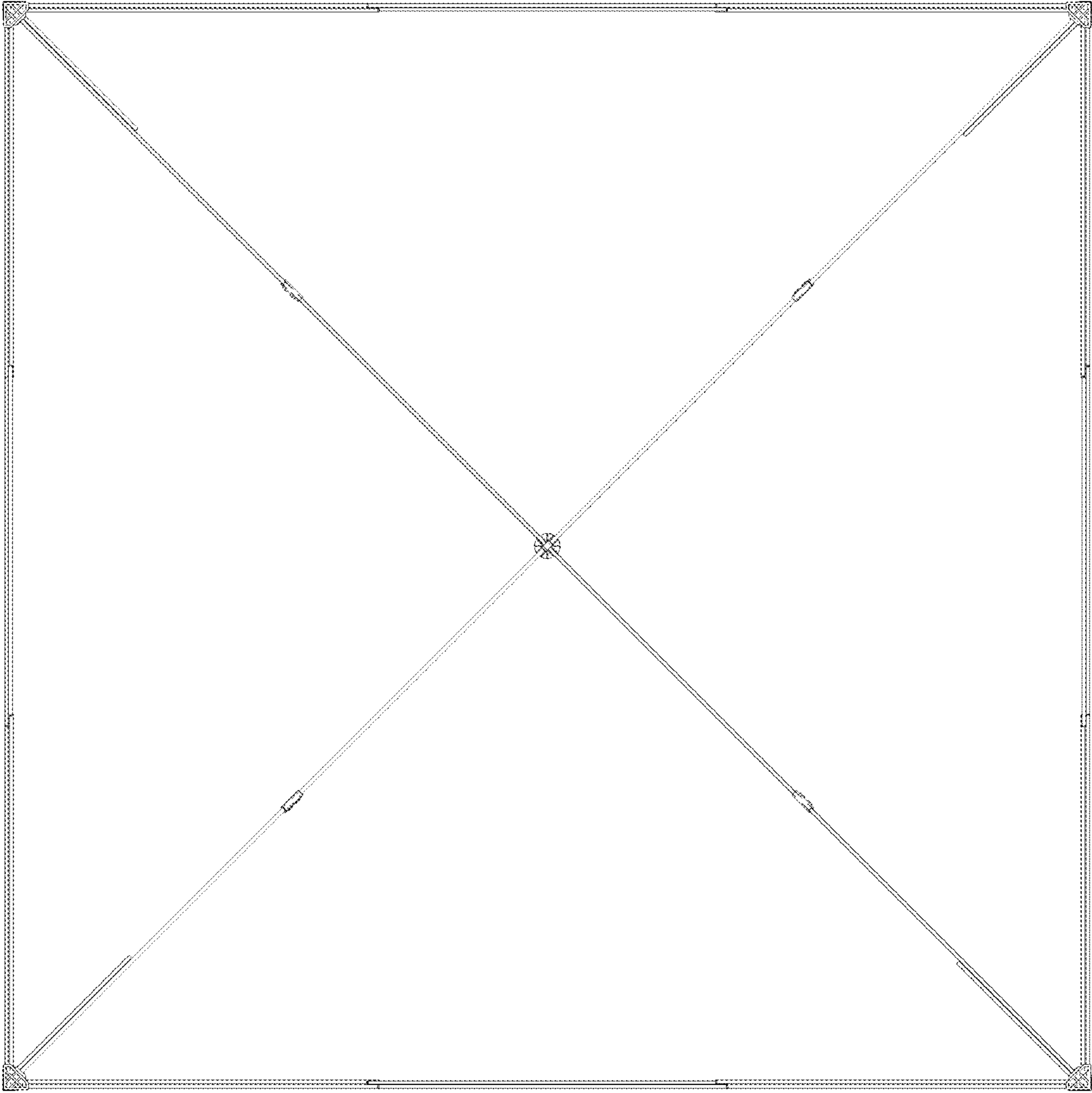


FIG. 8

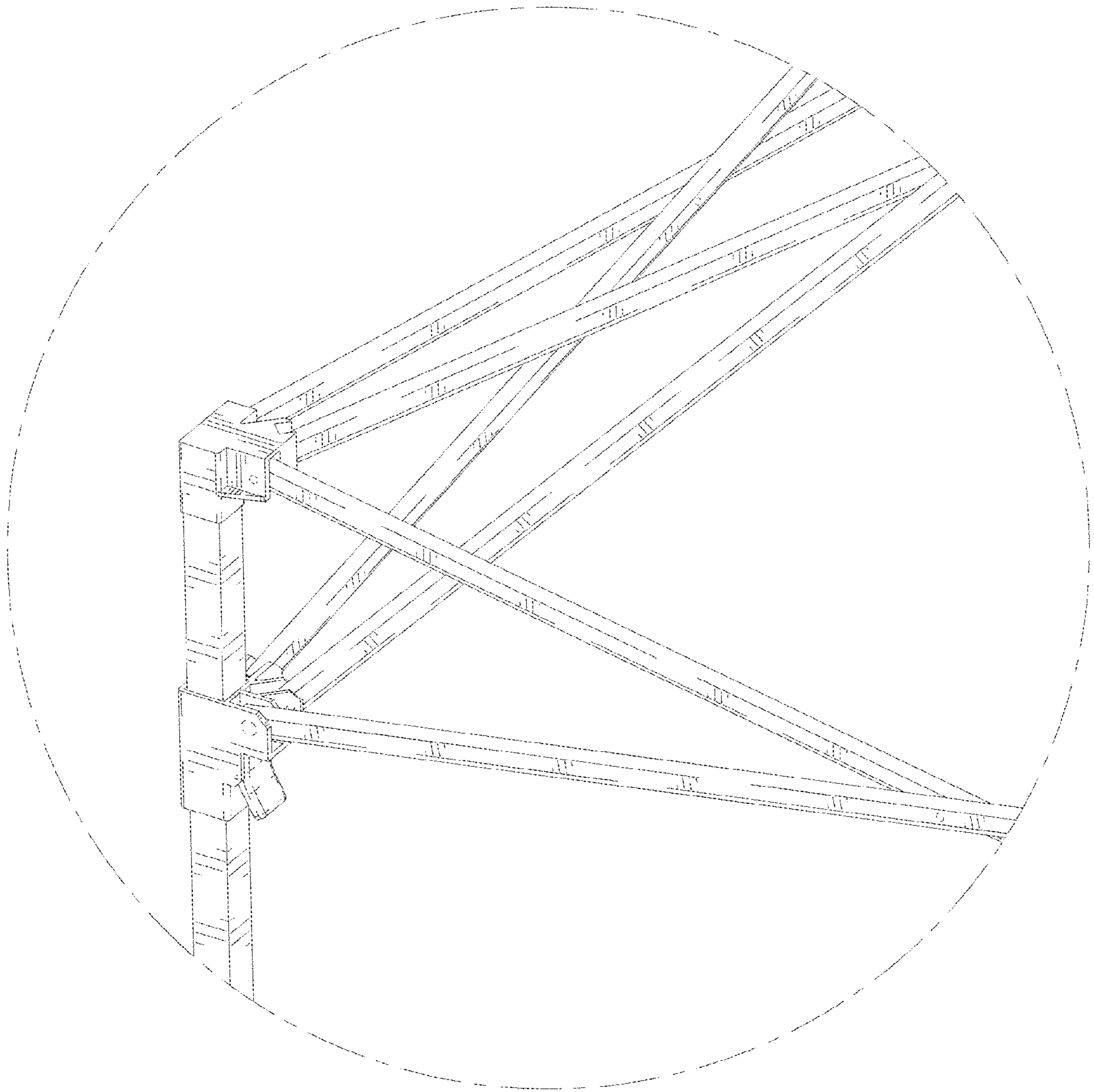


FIG. 9

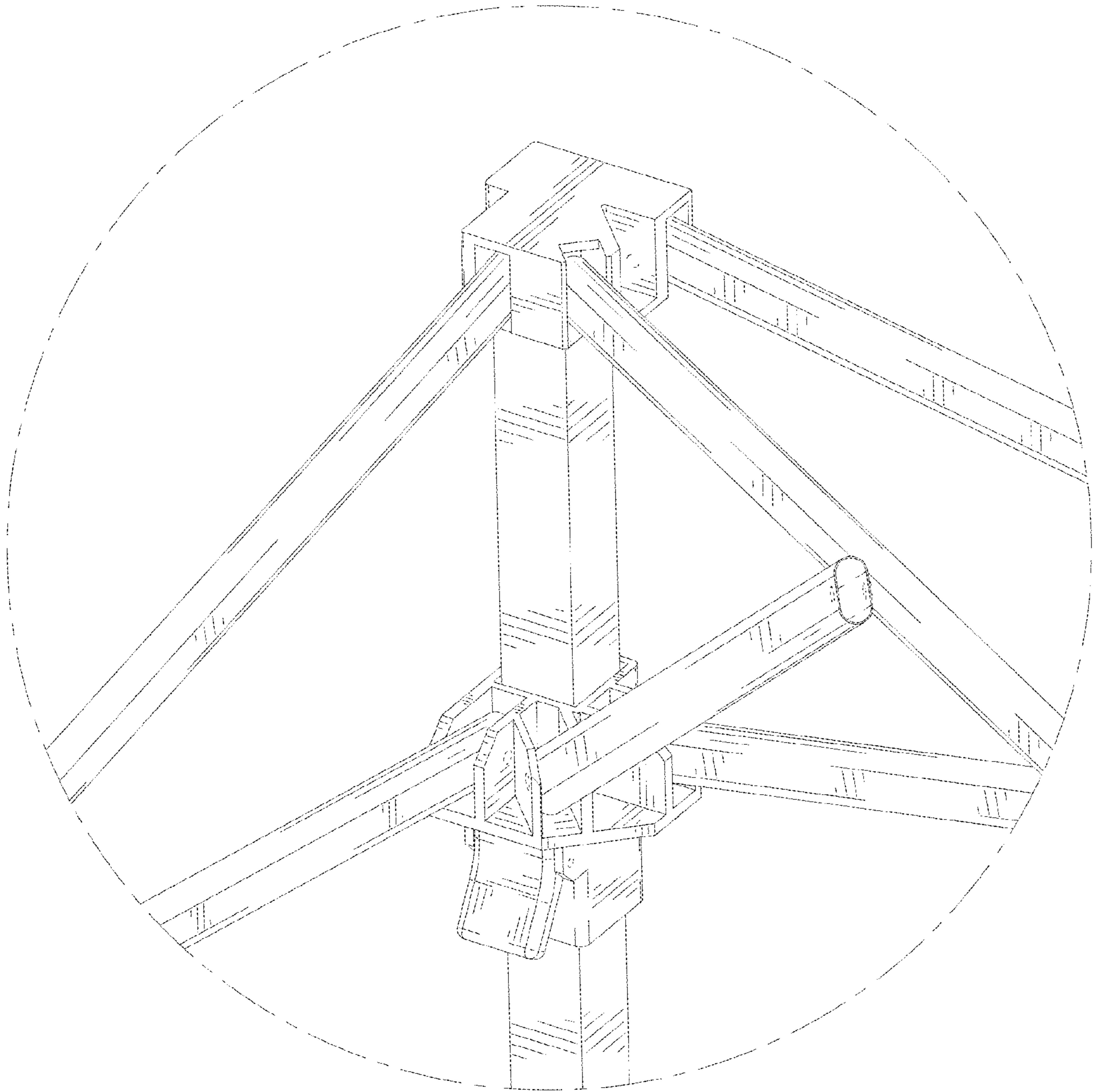


FIG. 10

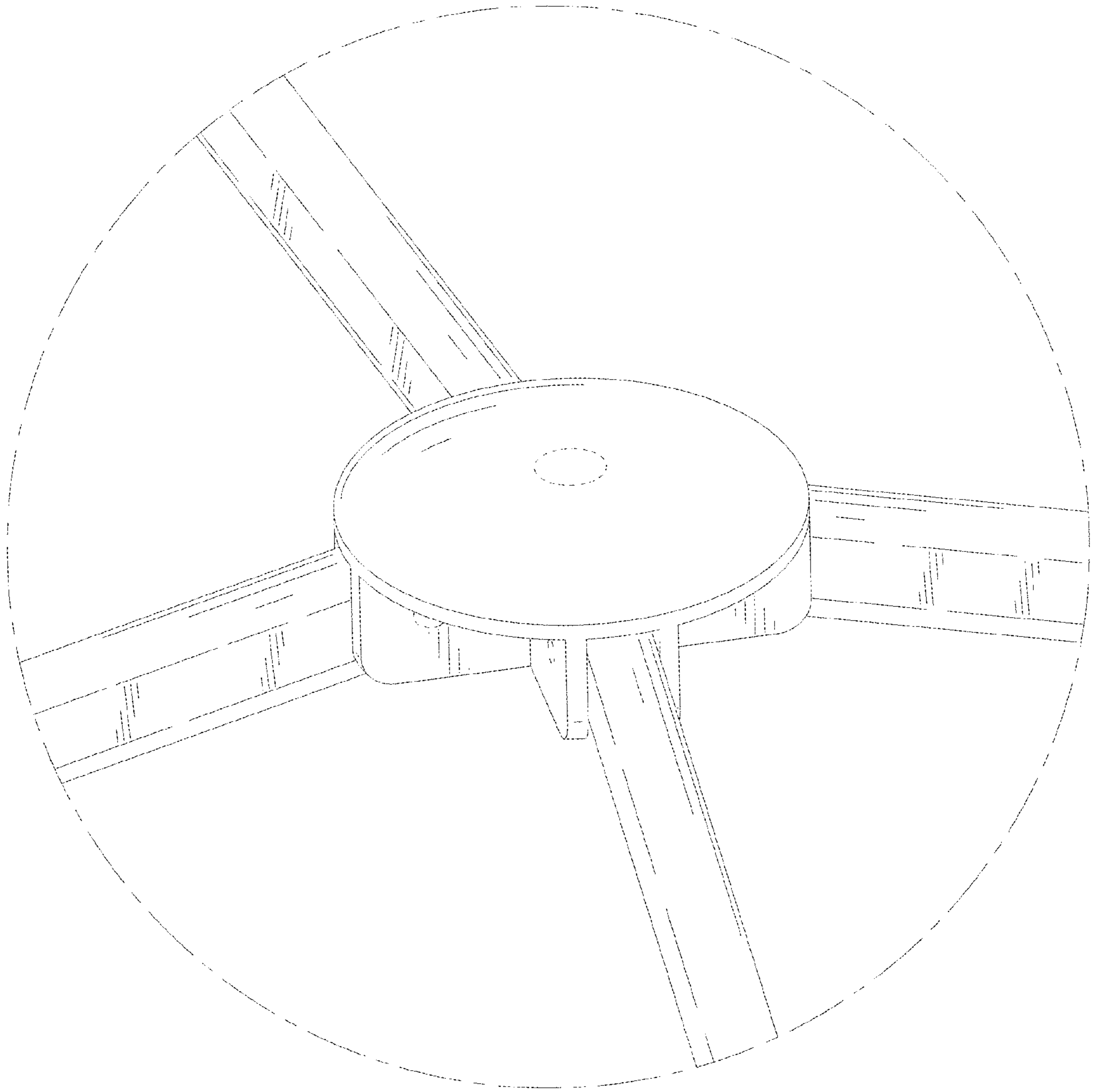


FIG. 11



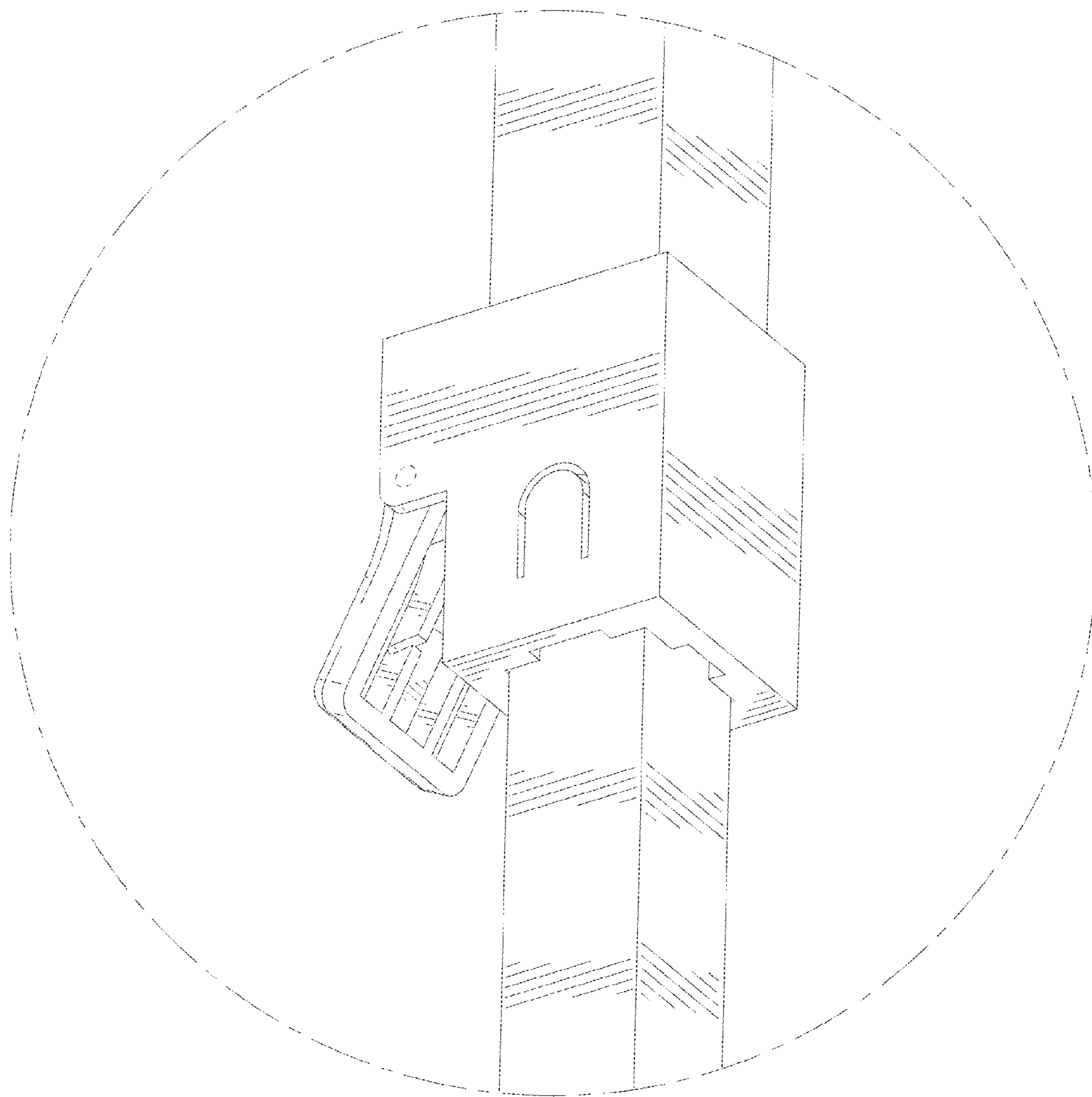


FIG. 12

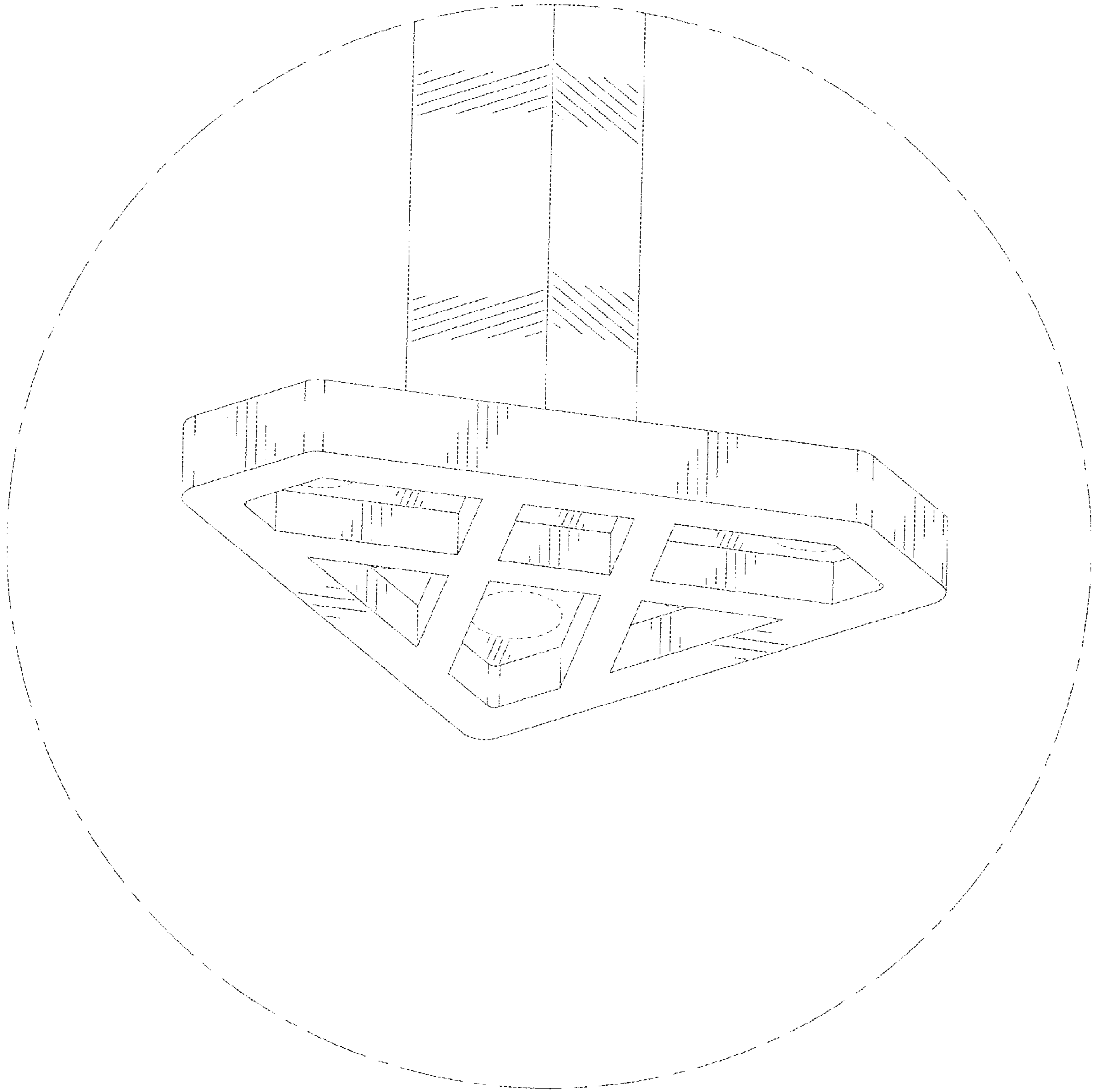


FIG. 13