



US00D970674S

(12) **United States Design Patent** (10) **Patent No.:** **US D970,674 S**  
**Jiang** (45) **Date of Patent:** **\*\* Nov. 22, 2022**

(54) **CAMPING TENT**  
(71) Applicant: **MARIETTA INC**, Atlanta, GA (US)  
(72) Inventor: **Bo Jiang**, Ningbo (CN)  
(\*\*) Term: **15 Years**  
(21) Appl. No.: **29/757,549**  
(22) Filed: **Nov. 6, 2020**  
(51) **LOC (13) Cl.** ..... **21-04**  
(52) **U.S. Cl.**  
USPC ..... **D21/837**  
(58) **Field of Classification Search**  
USPC ..... D21/834-840; D25/32, 16, 17, 56, 57,  
D25/18, 22, 1; D12/401-404; D30/108  
CPC ..... E04H 15/00; E04H 15/02; E04H 15/18;  
E04H 15/32; E04H 15/34; E04H 15/001;  
E04H 15/003; E04H 15/005; E04H  
15/006; E04H 15/008; E04H 15/06; E04H  
15/08; E04H 15/14; E04H 15/16; E04H  
15/20; E04H 15/22; E04H 15/26; E04H  
15/28; E04H 15/30; E04H 15/60; E04H  
15/62; E04H 15/54; E04H 15/40; E04H  
15/42; E04H 15/425; E04H 15/36; E04H  
15/38; E04H 2015/201-204; E04H 15/50;  
E04H 15/44; E04H 15/46; E04H 15/48;  
E04H 2015/205-209; E04H 6/005; E04H  
15/58; Y10S 135/902; Y10S 135/904;  
Y10S 135/907; Y10S 135/908; Y10S  
135/90; Y10S 135/901; A63H 33/008;  
A47D 13/063  
See application file for complete search history.

D254,574 S \* 3/1980 Schneider ..... D30/108  
4,819,680 A \* 4/1989 Beavers ..... E04H 15/32  
135/125  
5,035,253 A \* 7/1991 Bortles ..... E04H 15/50  
135/117  
D377,822 S \* 2/1997 Lichia ..... D21/834  
D416,304 S \* 11/1999 Rodolfo ..... D21/834  
D445,916 S \* 7/2001 Pritchard ..... D25/56  
D711,598 S \* 8/2014 Hasse ..... D30/117  
9,556,639 B2 \* 1/2017 Hunt ..... E04H 15/34

**OTHER PUBLICATIONS**

Instahut Outdoor Gazebo Portable Pop Up Tent Canopy. Release Date: Jan. 29, 2019. Retrieved from internet: <<https://www.amazon.com.au/Instahut-Outdoor-Portable-Camping-Pergola/dp/B07N76ZLP4>> [site visited Jun. 14, 2022] (Year: 2019).\*

(Continued)

*Primary Examiner* — Katherine Glennon  
*Assistant Examiner* — Yuan Yuan  
(74) *Attorney, Agent, or Firm* — Rumit Ranjit Kanakia

(57) **CLAIM**

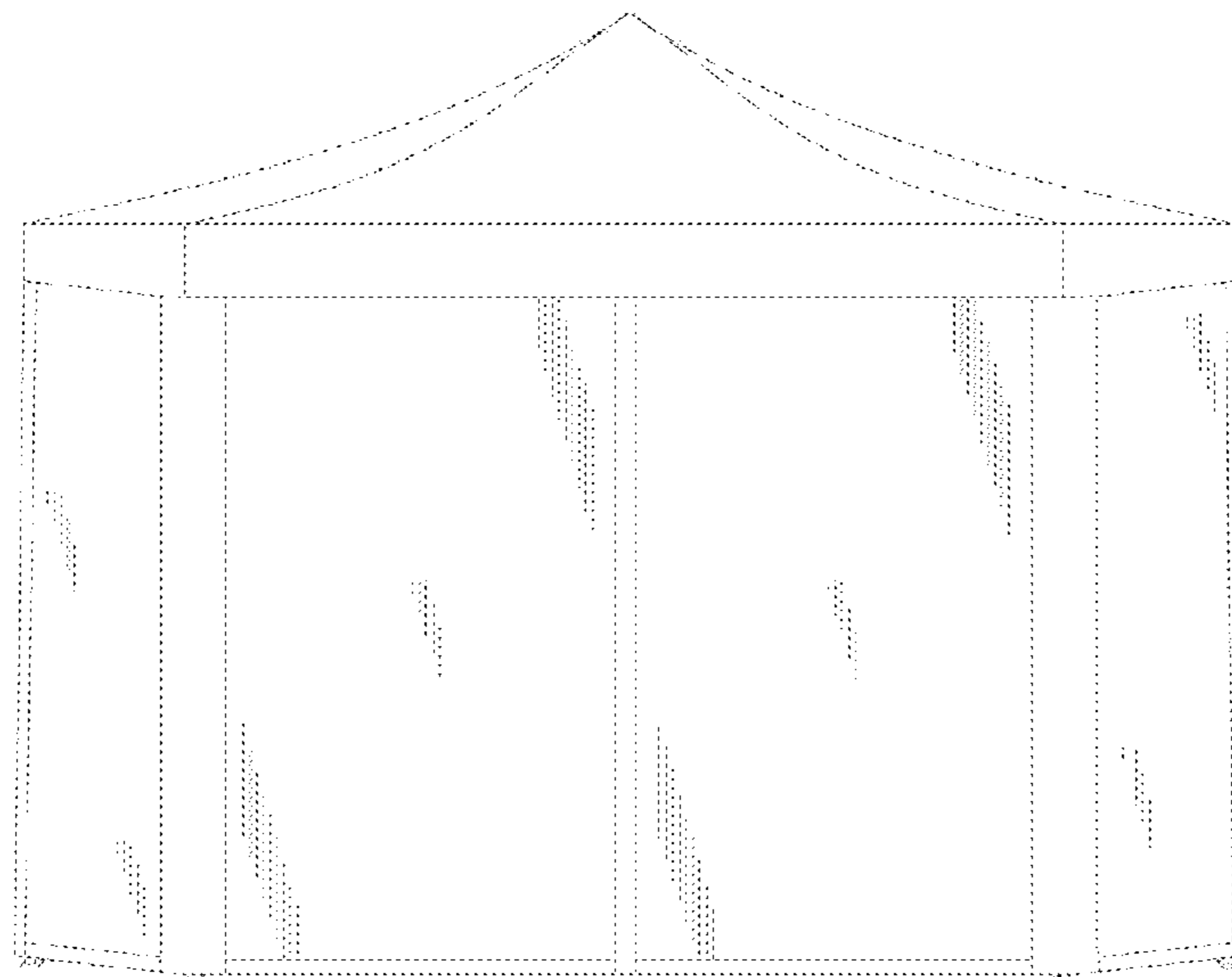
The ornamental design for a camping tent, as shown and described.

**DESCRIPTION**

FIG. 1 is a front view of a camping tent showing my new design;  
FIG. 2 is a rear view thereof;  
FIG. 3 is a left side view thereof;  
FIG. 4 is a right side view thereof;  
FIG. 5 is a top plan view thereof;  
FIG. 6 is a bottom plan view thereof;  
FIG. 7 is a perspective view from front side thereof; and,  
FIG. 8 is a perspective view from right side thereof.  
The broken lines in the drawing depict portions of the camping tent that form no part of the claimed design.

**1 Claim, 8 Drawing Sheets**

(56) **References Cited**  
U.S. PATENT DOCUMENTS  
1,411,711 A \* 4/1922 Cunningham ..... E04H 15/06  
135/88.14  
2,535,618 A \* 12/1950 Williams ..... E04H 15/58  
135/120.3



(56)

**References Cited**

OTHER PUBLICATIONS

Outsunny Hexagonal Gazebo Party Tent. Release Date: Mar. 8, 2017. Retrieved from internet: <<https://www.amazon.co.uk/Outsunny%C2%AE-Hexagonal-Gazebo-Marquee-Polyester/dp/B06XBZZWRN>> [site visited Jun. 14, 2022] (Year: 2017).\*

\* cited by examiner

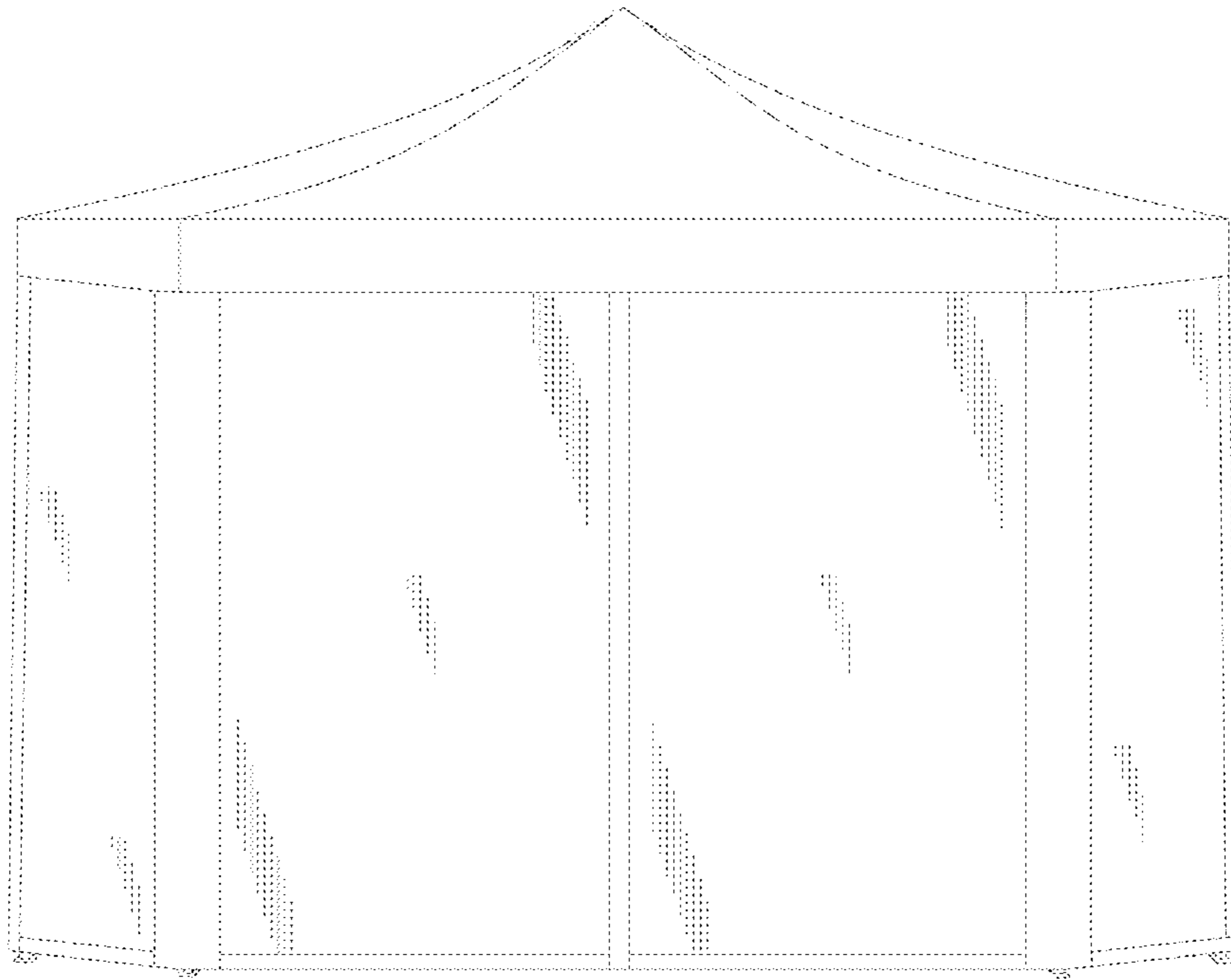


fig 1

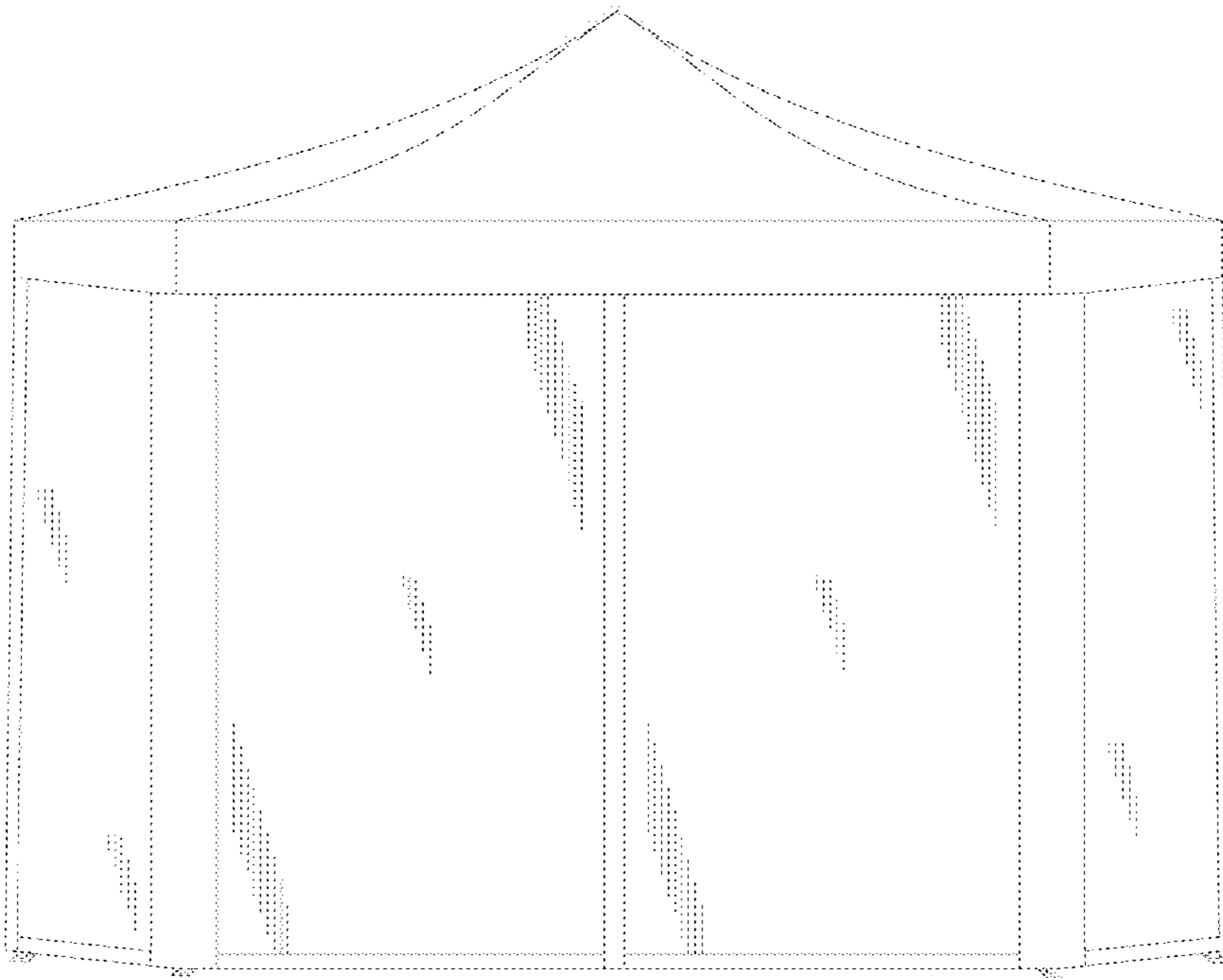


fig2

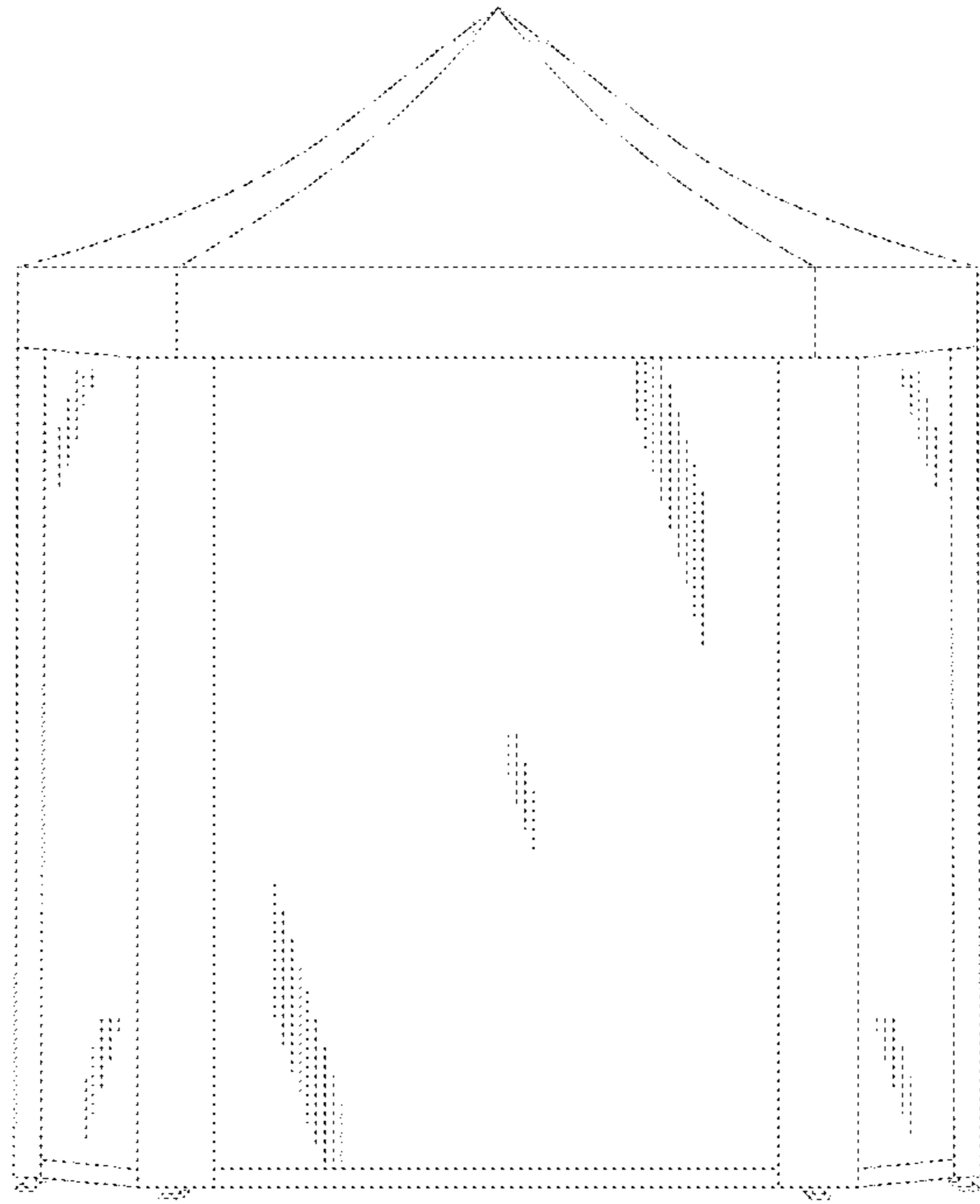


fig3

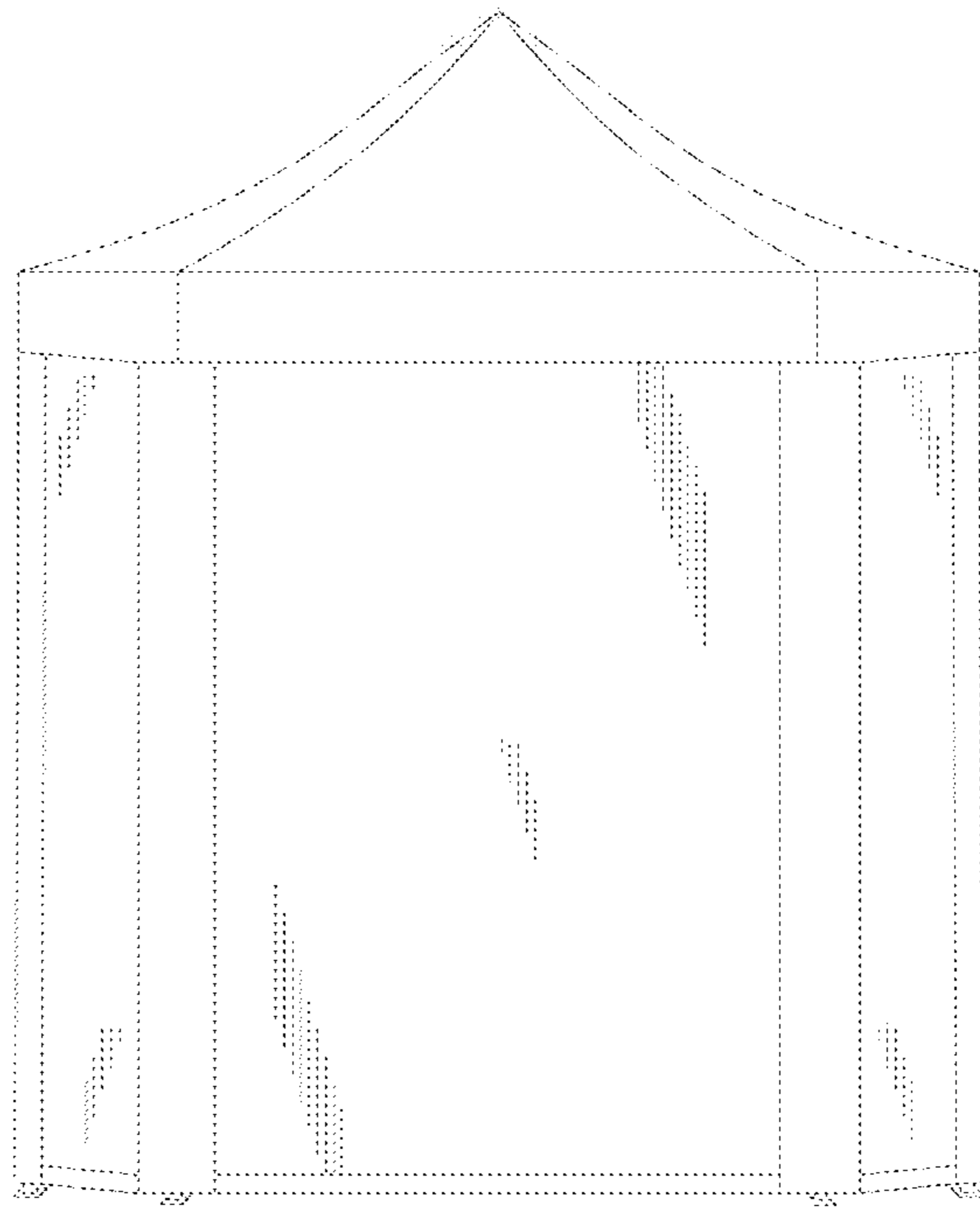


fig4

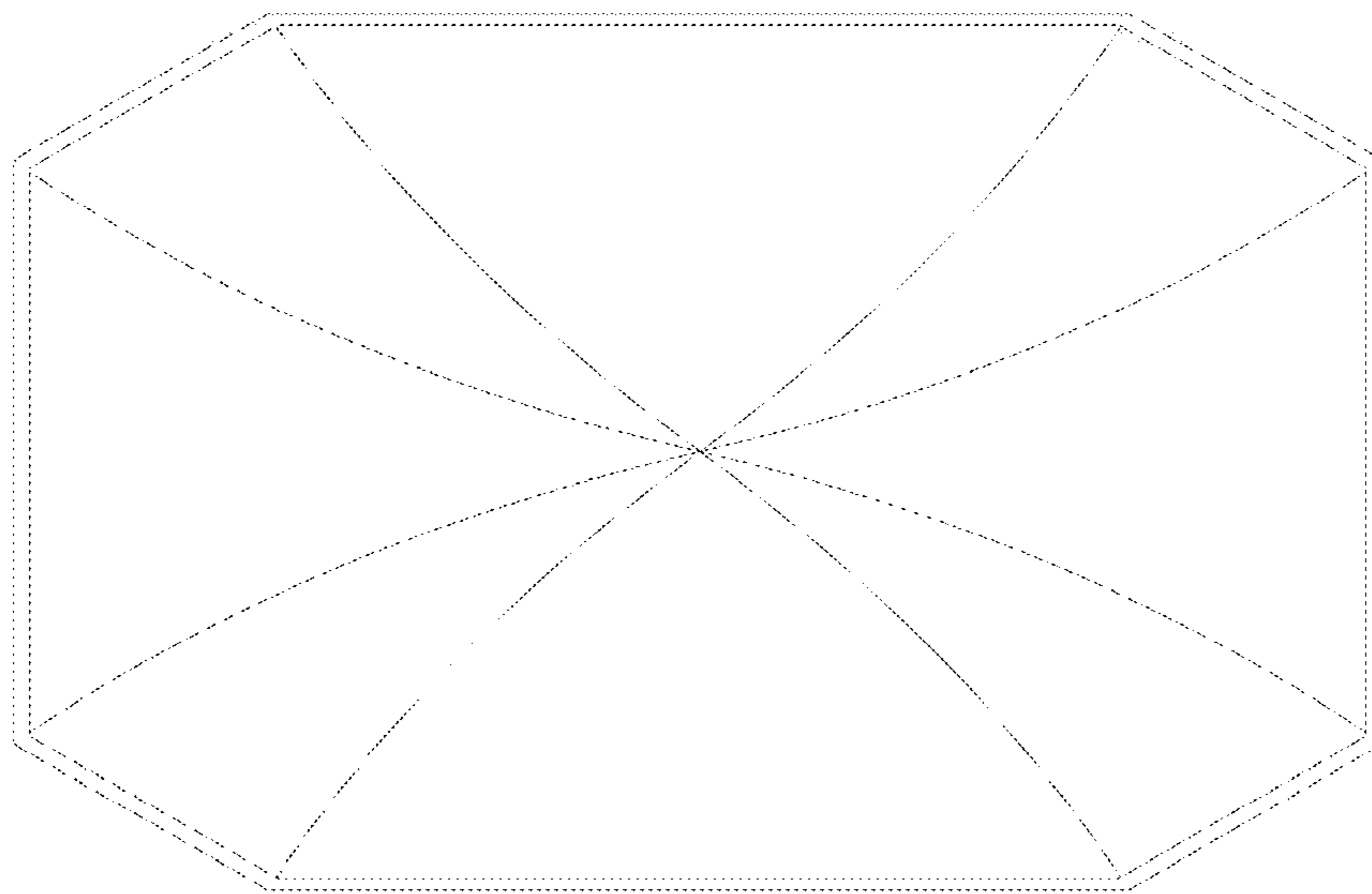


fig5

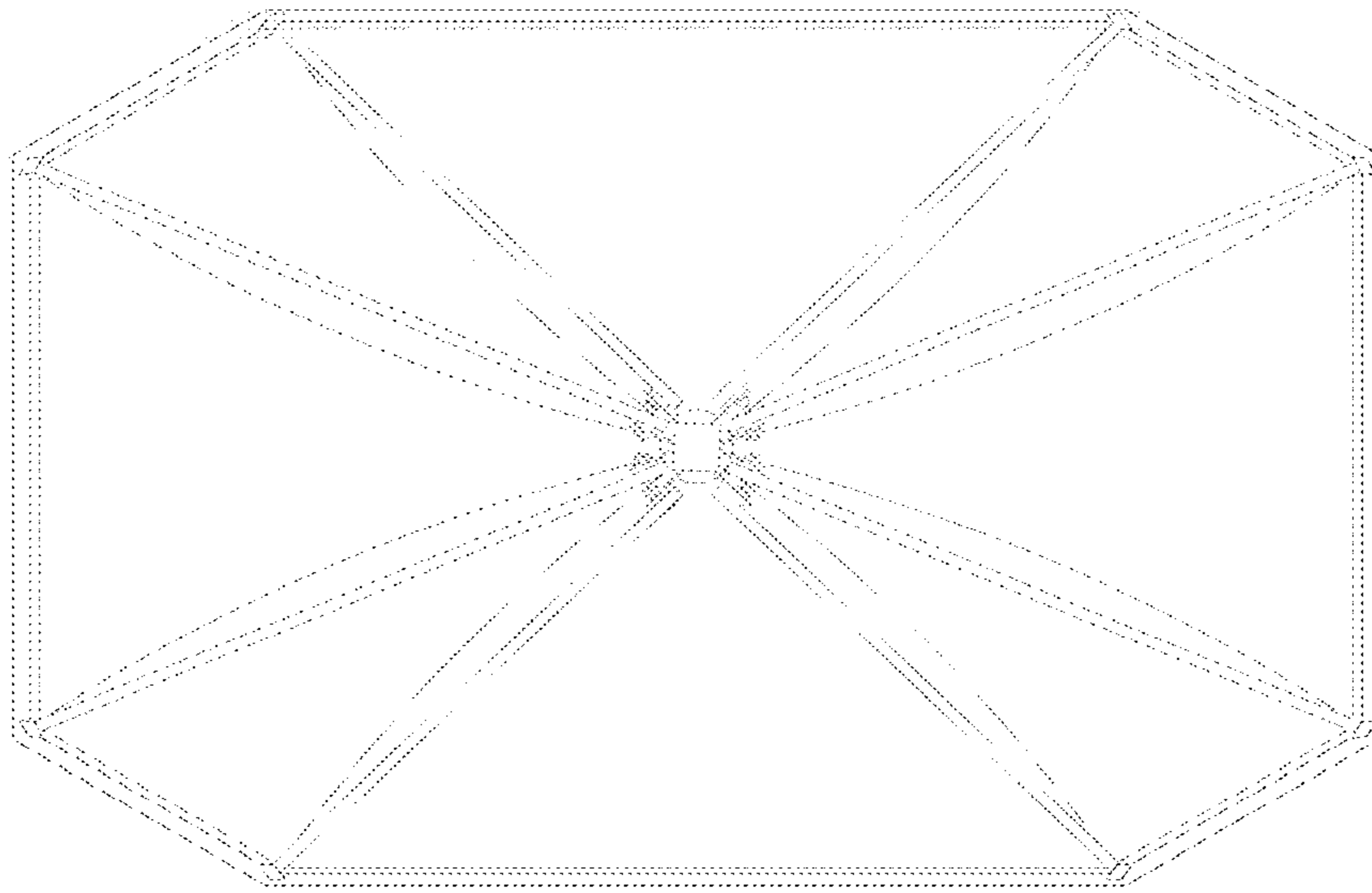


fig 6



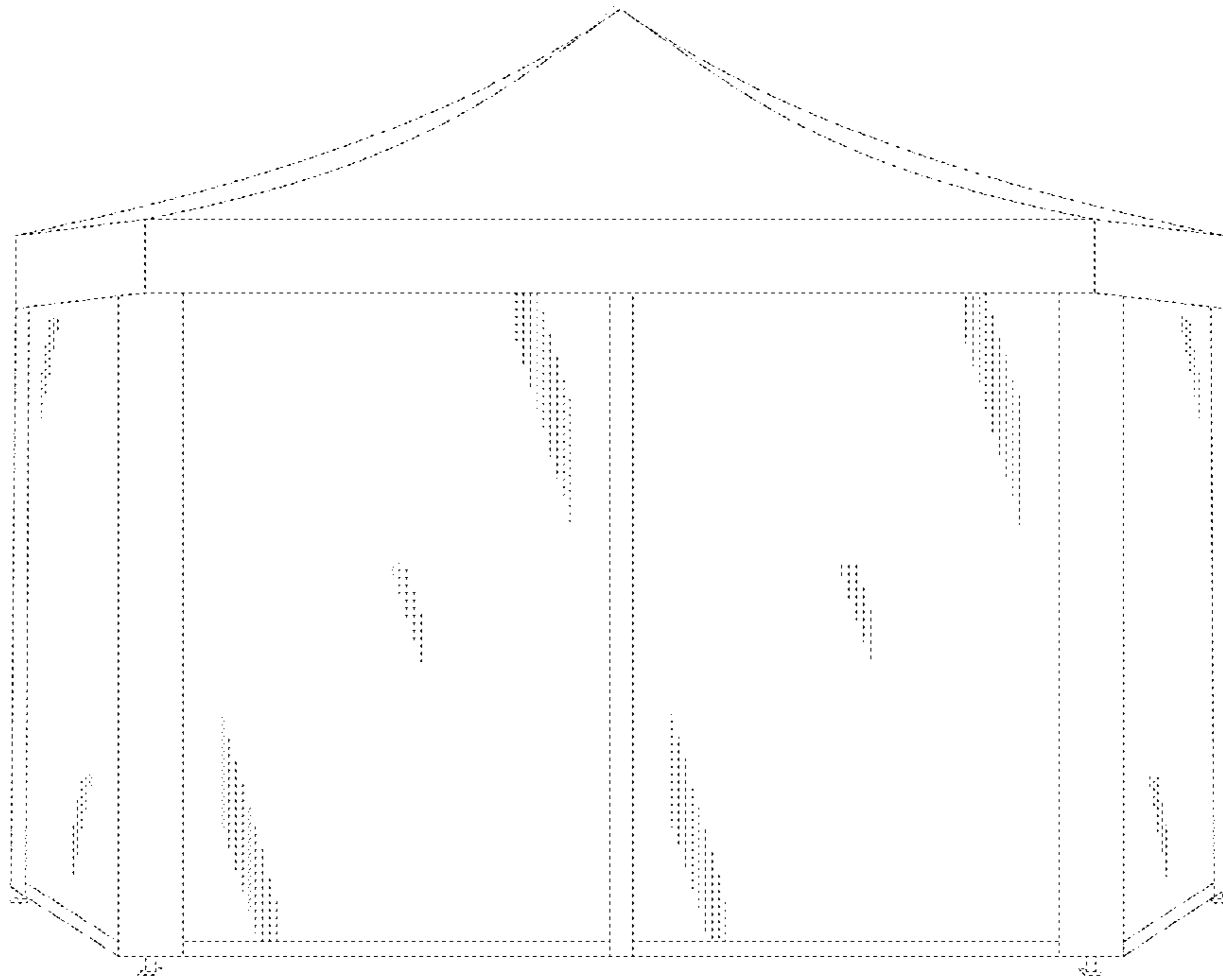


fig 7

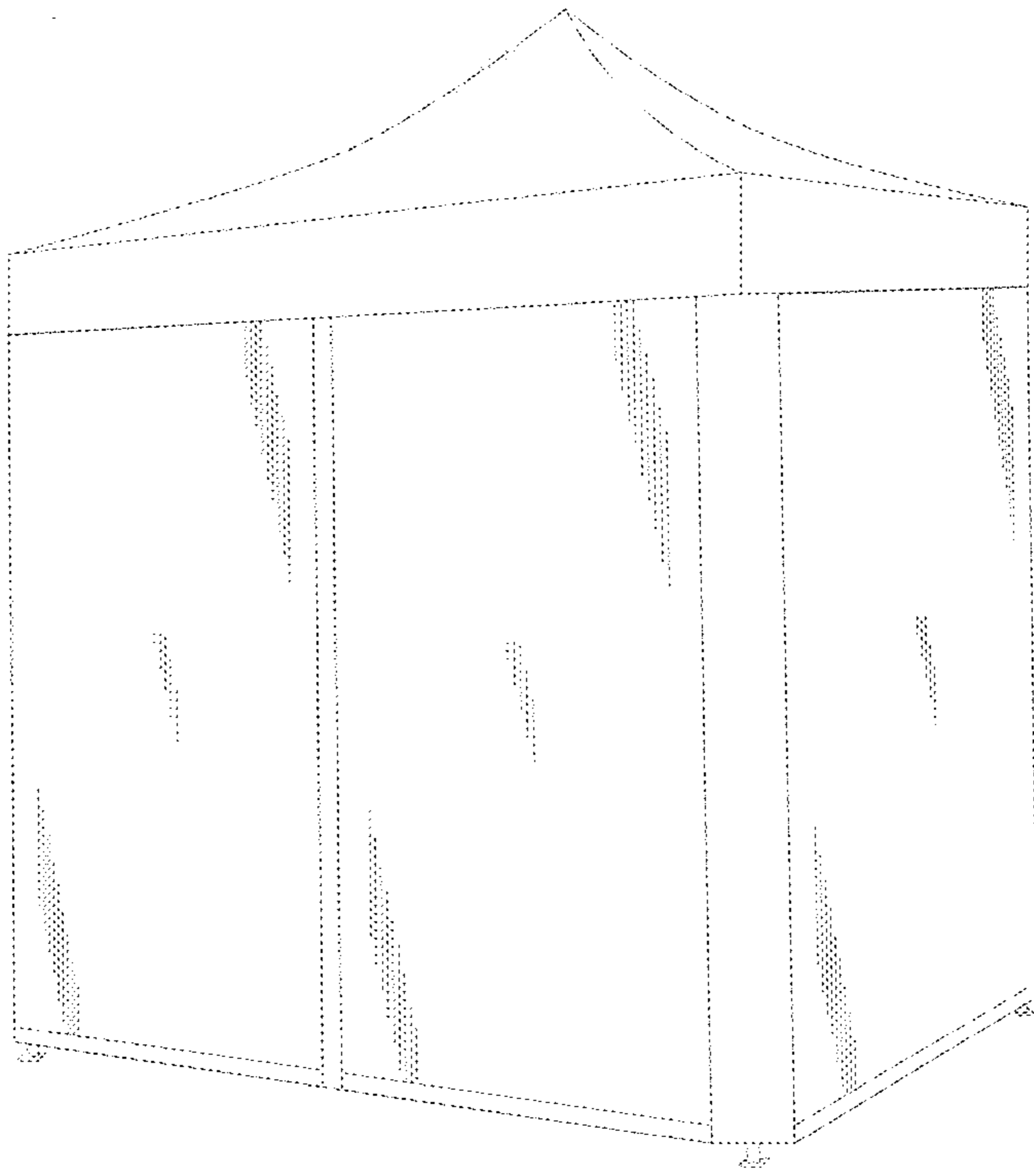


fig 8