

US00D970672S

(12) **United States Design Patent**
Liang

(10) **Patent No.:** **US D970,672 S**

(45) **Date of Patent:** **** Nov. 22, 2022**

(54) **WATER SLIDE**

(71) Applicant: **Guangzhou Dejurene Electronic Commerce Co., Ltd., Guangdong (CN)**

(72) Inventor: **Yuedong Liang, Guangdong (CN)**

(73) Assignee: **Guangzhou Dejurene Electronic Commerce Co., Ltd., Guangdong (CN)**

(**) Term: **15 Years**

(21) Appl. No.: **29/816,359**

(22) Filed: **Nov. 22, 2021**

(51) **LOC (13) Cl.** **21-03**

(52) **U.S. Cl.**
USPC **D21/819**

(58) **Field of Classification Search**
USPC D21/811, 814, 818–822
CPC A63G 21/00–22
See application file for complete search history.

(56) **References Cited**

U.S. PATENT DOCUMENTS

2,982,547	A *	5/1961	Carrier	A63G 31/007 472/117
5,154,671	A *	10/1992	Smollar	A63G 21/18 472/117
5,551,922	A *	9/1996	Katz	A63C 19/00 472/117
D382,619	S *	8/1997	Peterson	D21/818
6,062,983	A *	5/2000	Butsook	A63G 21/18 4/488
6,312,341	B1 *	11/2001	Healy	A63G 21/18 472/117
D749,180	S *	2/2016	Goldreyer	D21/819
9,446,323	B2 *	9/2016	Goldreyer	A63G 21/18
9,511,298	B2 *	12/2016	Sgromo	A63G 31/12

D867,509	S *	11/2019	Peterson	D21/819
D923,127	S *	6/2021	Peterson	D21/819
D934,371	S *	10/2021	Peterson	D21/819
D934,978	S *	11/2021	Peterson	D21/819
D954,888	S *	6/2022	Dougan	D21/819

OTHER PUBLICATIONS

Slip and slide google search; google.com; Jul. 25, 2022.*
Slip and slide amazon search; amazon .com; Jul. 25, 2022.*
Extra long slip and slide; amazon.com; Jul. 25, 2022.*
Joyin slide; amazon.com; Jul. 25, 2022.*

* cited by examiner

Primary Examiner — Mitchell I. Siegel

(74) *Attorney, Agent, or Firm* — True Shepherd, LLC;
Andrew Cheng

(57) **CLAIM**

The ornamental design for water slide, as shown and described.

DESCRIPTION

FIG. 1 is a front, left, and top perspective view of a water slide, showing my design.

FIG. 2 is a rear, right, and bottom perspective view thereof.

FIG. 3 is a front elevation view thereof.

FIG. 4 is a rear elevation view thereof.

FIG. 5 is a left side elevation view thereof.

FIG. 6 is a right side elevation view thereof.

FIG. 7 is a top plan view thereof.

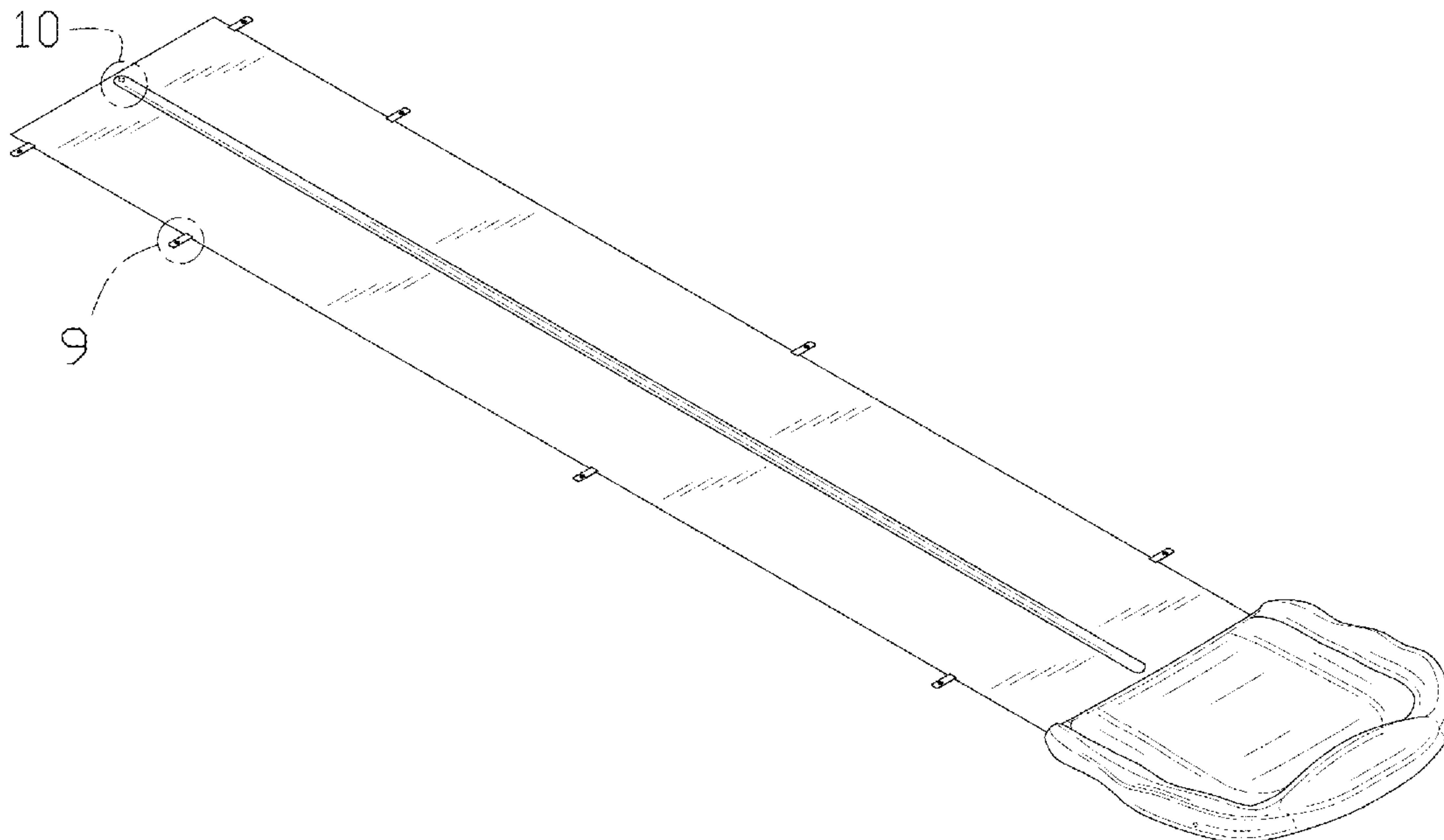
FIG. 8 is a bottom plan view thereof.

FIG. 9 is a partial enlarged view of an area labeled 9 in FIG. 1 comprising a fixed ring; and,

FIG. 10 is a partial enlarged view of an area labeled 10 in FIG. 1 comprising a fixed buckle.

The broken lines shown in the drawings are included for the purpose of illustrating portions of the water slide that form no part of the claimed design.

1 Claim, 10 Drawing Sheets



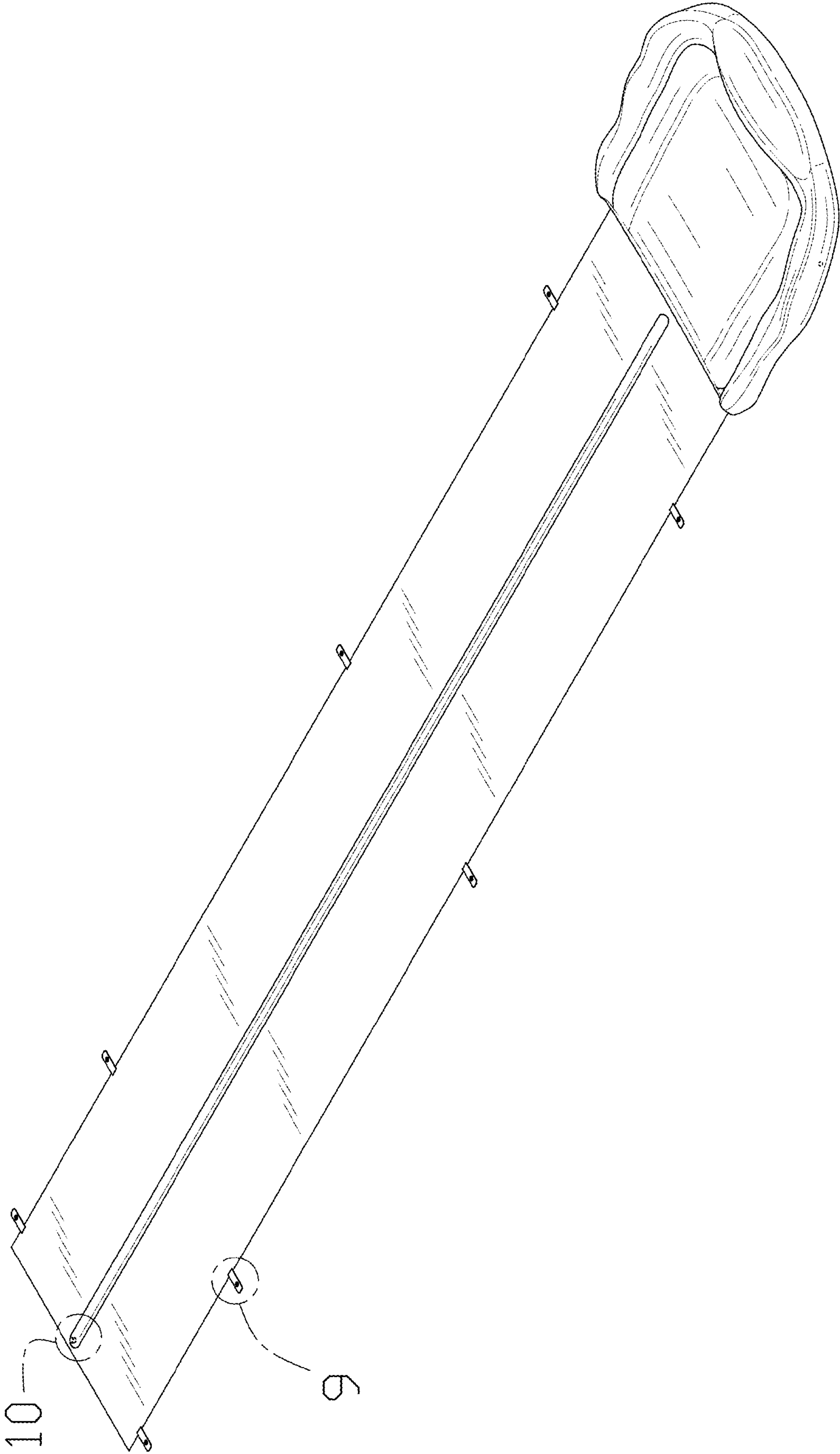


FIG. 1

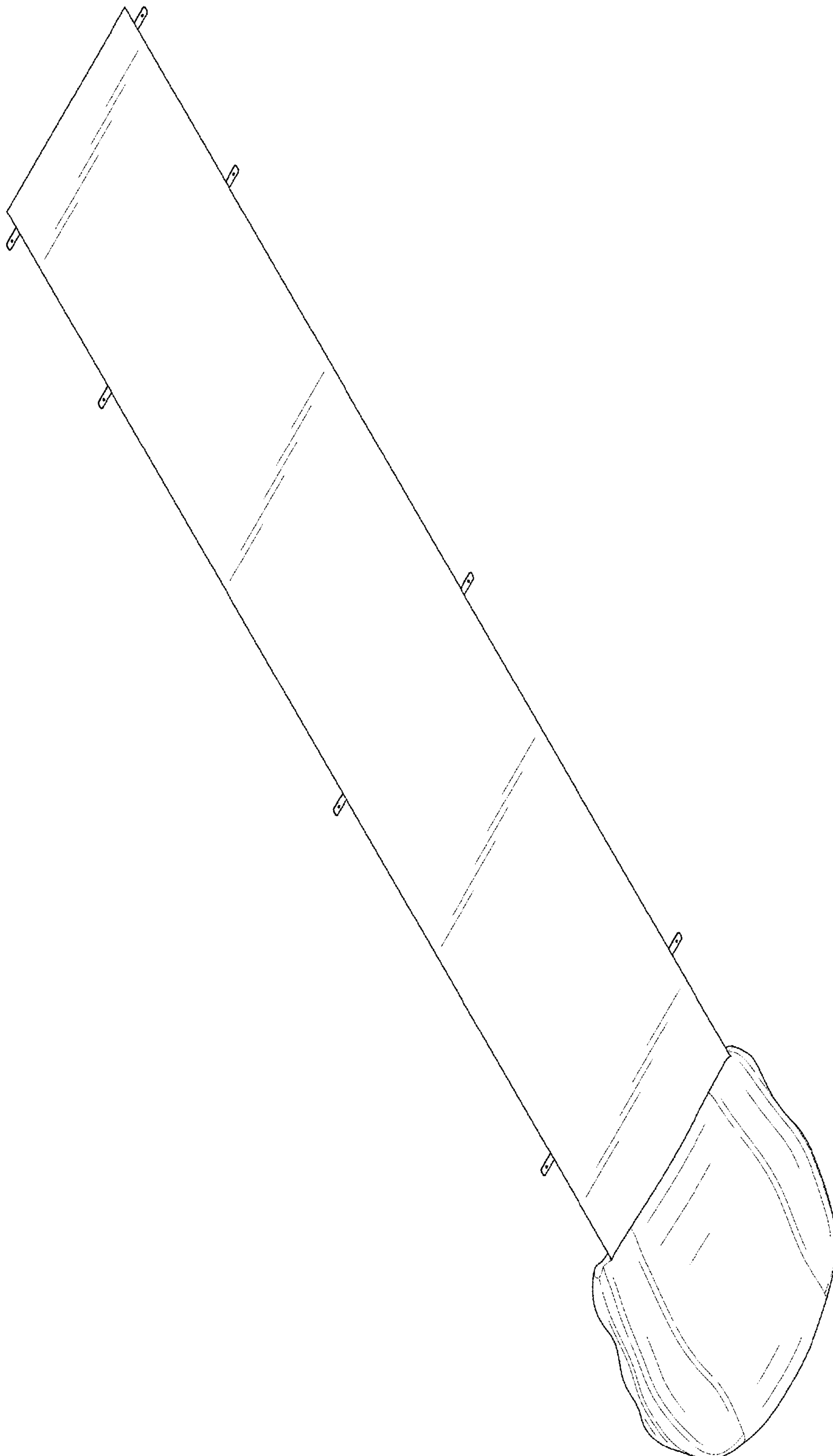


FIG. 2

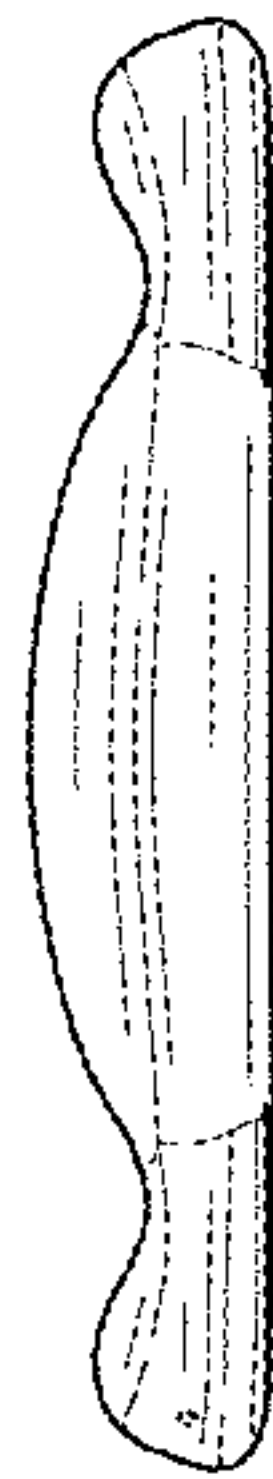


FIG. 3



FIG. 4



FIG. 5

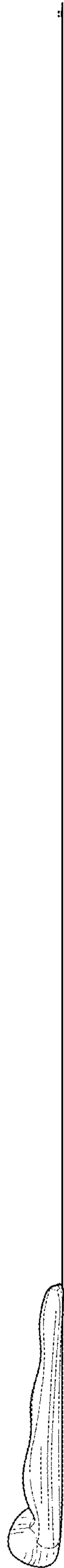


FIG. 6

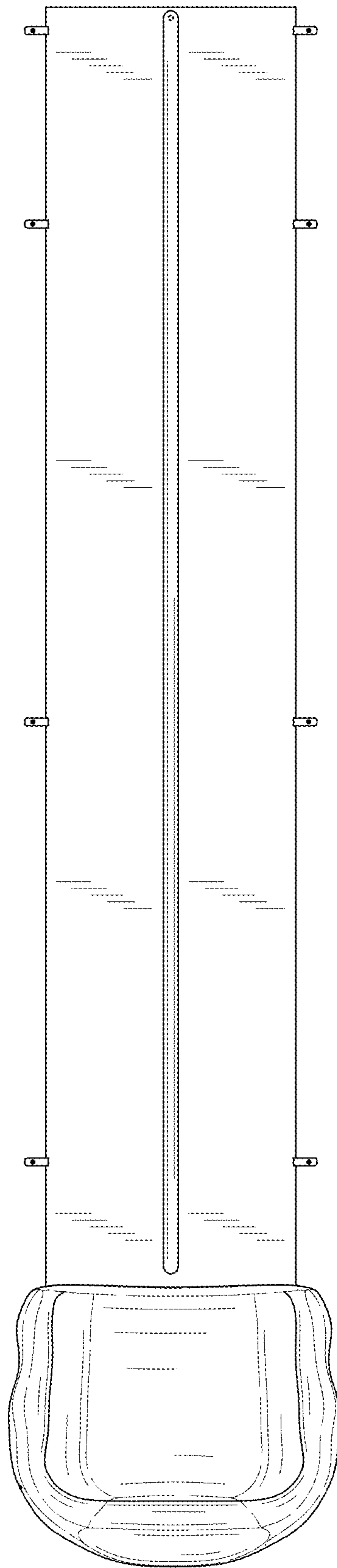


FIG. 7

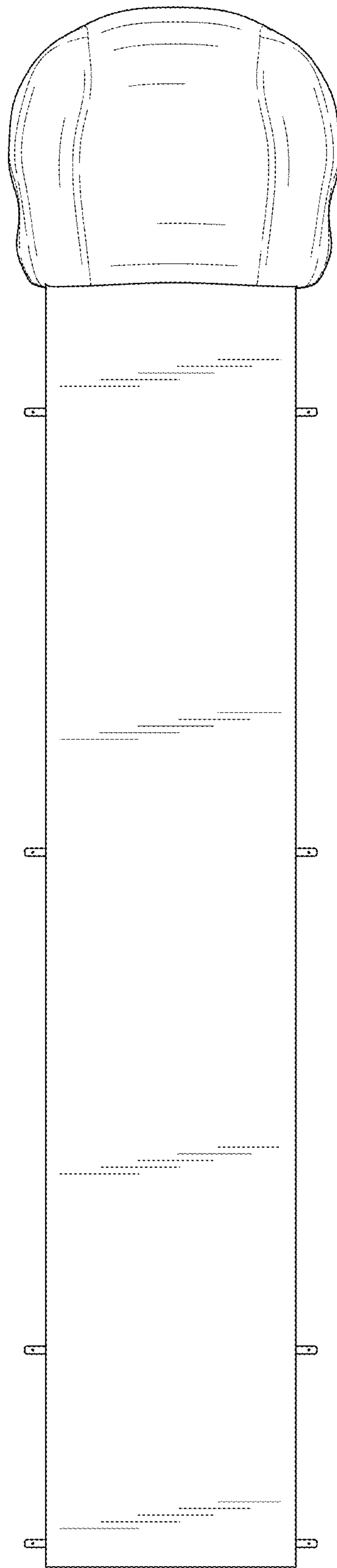


FIG. 8

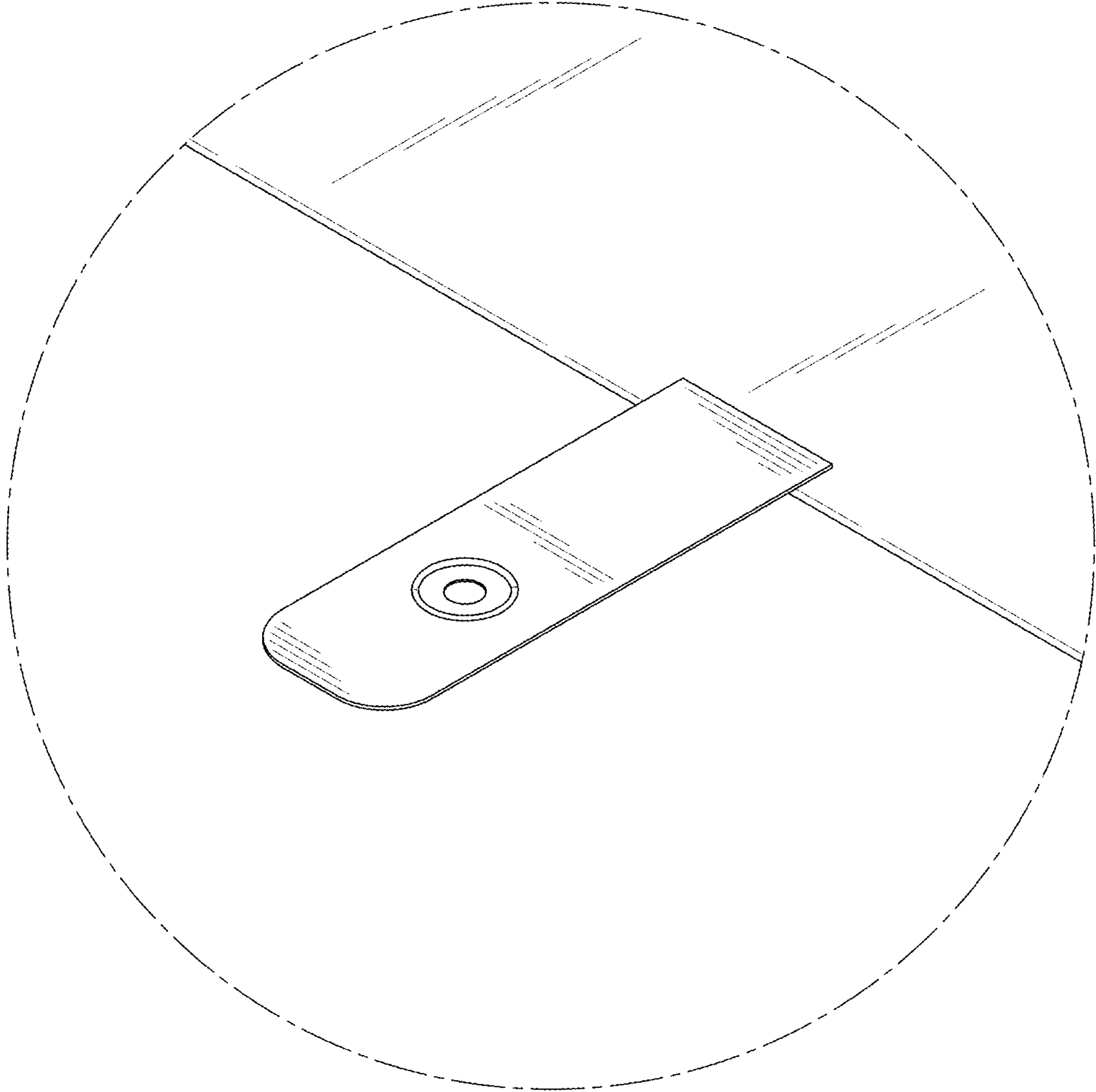


FIG. 9

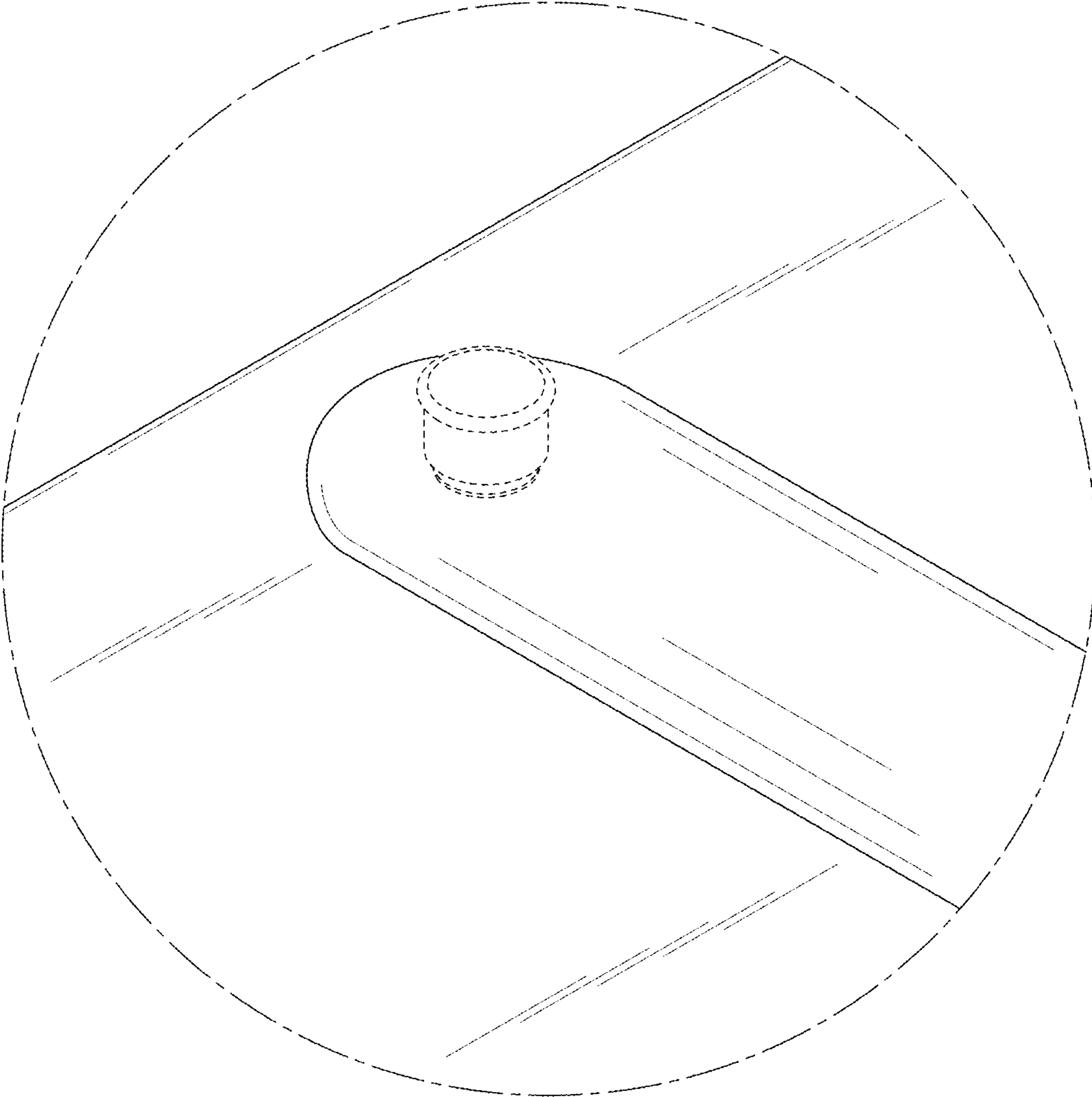


FIG. 10